



US00D578477S

(12) **United States Design Patent**
Shing et al.

(10) **Patent No.:** **US D578,477 S**

(45) **Date of Patent:** **** Oct. 14, 2008**

(54) **RCA PLUG**

(75) Inventors: **Yuen Kim Shing**, Hong Kong (CN);
Gonzalo Palenzuela, Miami, FL (US);
Zhong Xin Hang, Hangzhou (CN)

(73) Assignee: **Okura USA, Inc.**, Doral, FL (US)

(**) Term: **14 Years**

(21) Appl. No.: **29/265,102**

(22) Filed: **Aug. 24, 2006**

Related U.S. Application Data

(63) Continuation-in-part of application No. 29/198,727,
filed on Feb. 3, 2004, now Pat. No. Des. 530,669.

(51) **LOC (8) Cl.** **13-03**

(52) **U.S. Cl.** **D13/133**

(58) **Field of Classification Search** D13/133,
D13/149, 151, 153, 154, 184, 199, 578, 675,
D13/583-584, 668-669, 750-751, 825, 851,
D13/889

See application file for complete search history.

(56) **References Cited**

U.S. PATENT DOCUMENTS

1,952,188	A *	3/1934	Watts	439/487
D137,704	S	4/1944	Drury		
D188,102	S *	6/1960	Yarick, Jr.	D13/133
3,366,917	A *	1/1968	Karol	439/447
D305,532	S *	1/1990	Gallo et al.	D14/256
D315,543	S *	3/1991	Soren et al.	D13/144
5,064,268	A *	11/1991	Morency et al.	385/87
D325,023	S	3/1992	Lee et al.		
D328,280	S *	7/1992	Lee	D13/133
D329,042	S *	9/1992	van der Burgh	D13/133
D334,172	S *	3/1993	Wilcoxon	D13/133
D355,639	S *	2/1995	Cheng	D13/133
D366,863	S	2/1996	Lee		
D367,036	S	2/1996	Lee		
5,529,513	A	6/1996	Lee		
D371,762	S	7/1996	Lee		

D374,862	S	10/1996	Lee		
D376,580	S	12/1996	Lee		
D403,302	S	12/1998	Awbrey		
D405,050	S *	2/1999	Lee	D13/133
D413,569	S	9/1999	Peterson et al.		
D414,462	S *	9/1999	Peterson et al.	D13/133
D425,023	S *	5/2000	Awbrey	D13/133
D434,009	S *	11/2000	Lee	D13/154
D435,512	S *	12/2000	Cheng	D13/133
D435,513	S *	12/2000	Cheng	D13/133
D436,077	S *	1/2001	Cheng	D13/133
D450,297	S	11/2001	Lee		
D453,322	S *	2/2002	Lee	D13/154
D456,363	S	4/2002	Lee		
6,406,313	B1 *	6/2002	Victor	439/175
D519,077	S *	4/2006	Disbennett et al.	D13/133
D528,506	S *	9/2006	Taguchi	D13/133
D530,669	S	10/2006	Shing		
D544,837	S *	6/2007	Disbennett et al.	D13/133

* cited by examiner

Primary Examiner—Daniel D Bui

(74) *Attorney, Agent, or Firm*—Malloy & Malloy, P.A.

(57) **CLAIM**

The ornamental design for a RCA plug, as shown and described.

DESCRIPTION

FIG. 1 is a top perspective view of a RCA plug, showing our new design;

FIG. 2 is a front elevation view thereof;

FIG. 3 is a right side elevation view thereof;

FIG. 4 is a top plan view thereof;

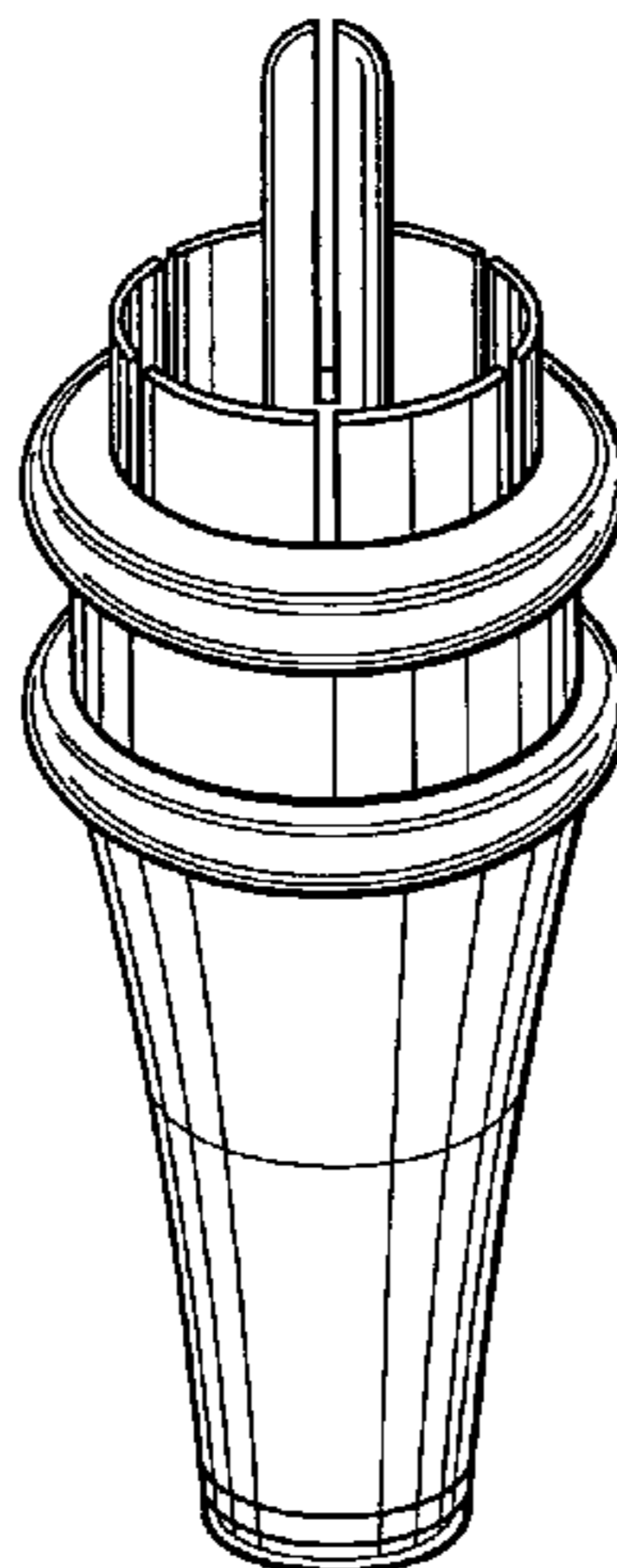
FIG. 5 is a left side elevation view thereof;

FIG. 6 is a bottom plan view thereof; and,

FIG. 7 is a rear elevation view thereof.

Broken line representations in the accompanying drawings are not to be considered a part of the claimed design.

1 Claim, 3 Drawing Sheets



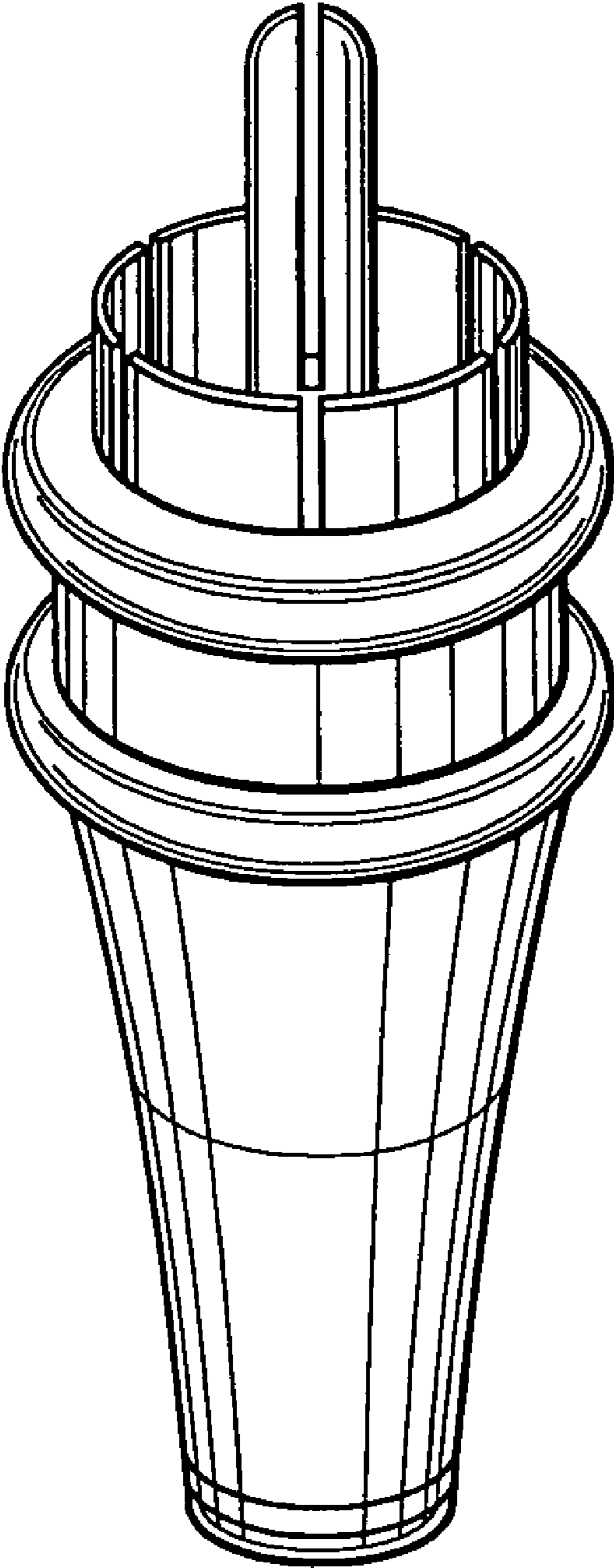


FIG. 1

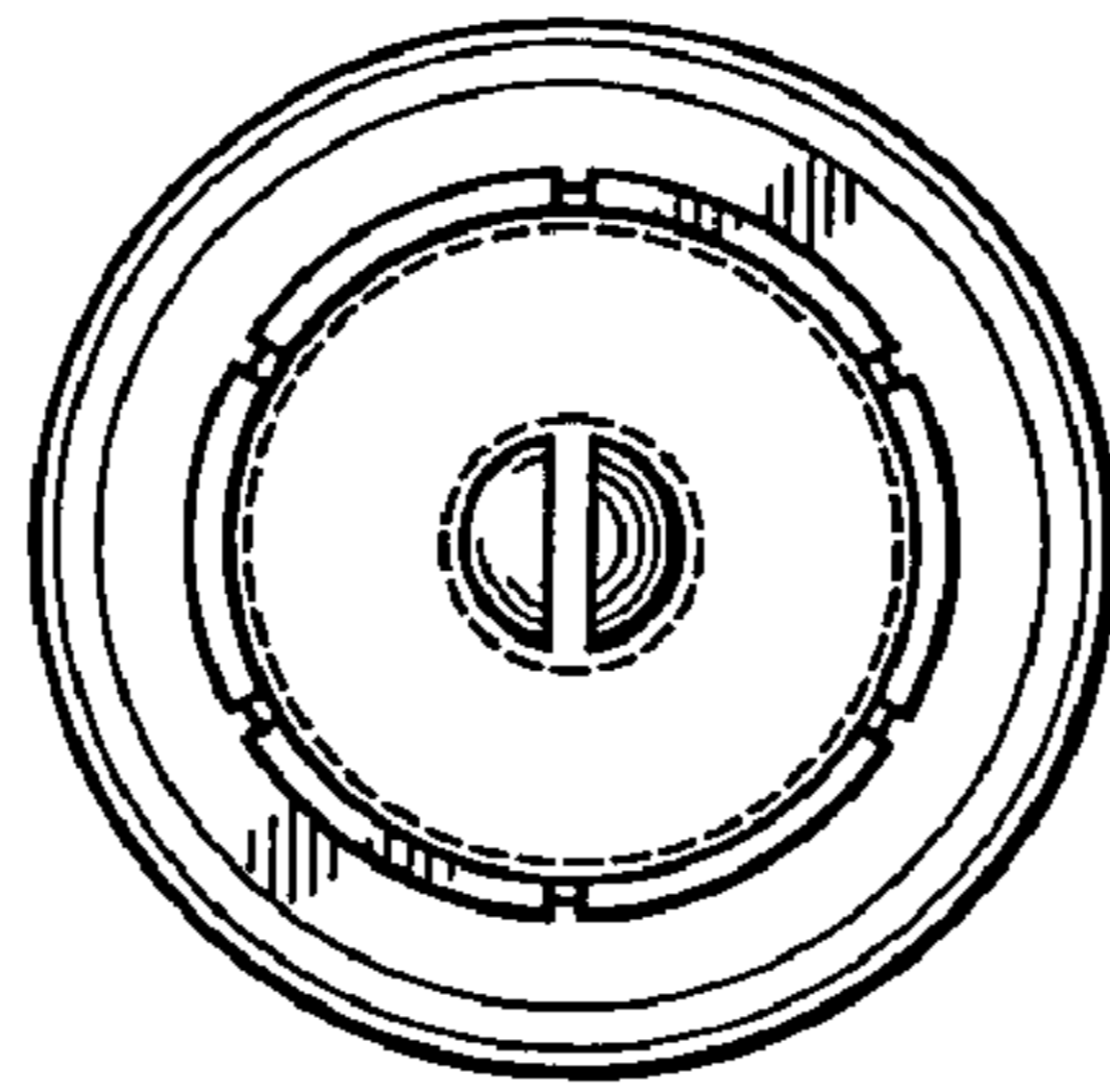


FIG. 4

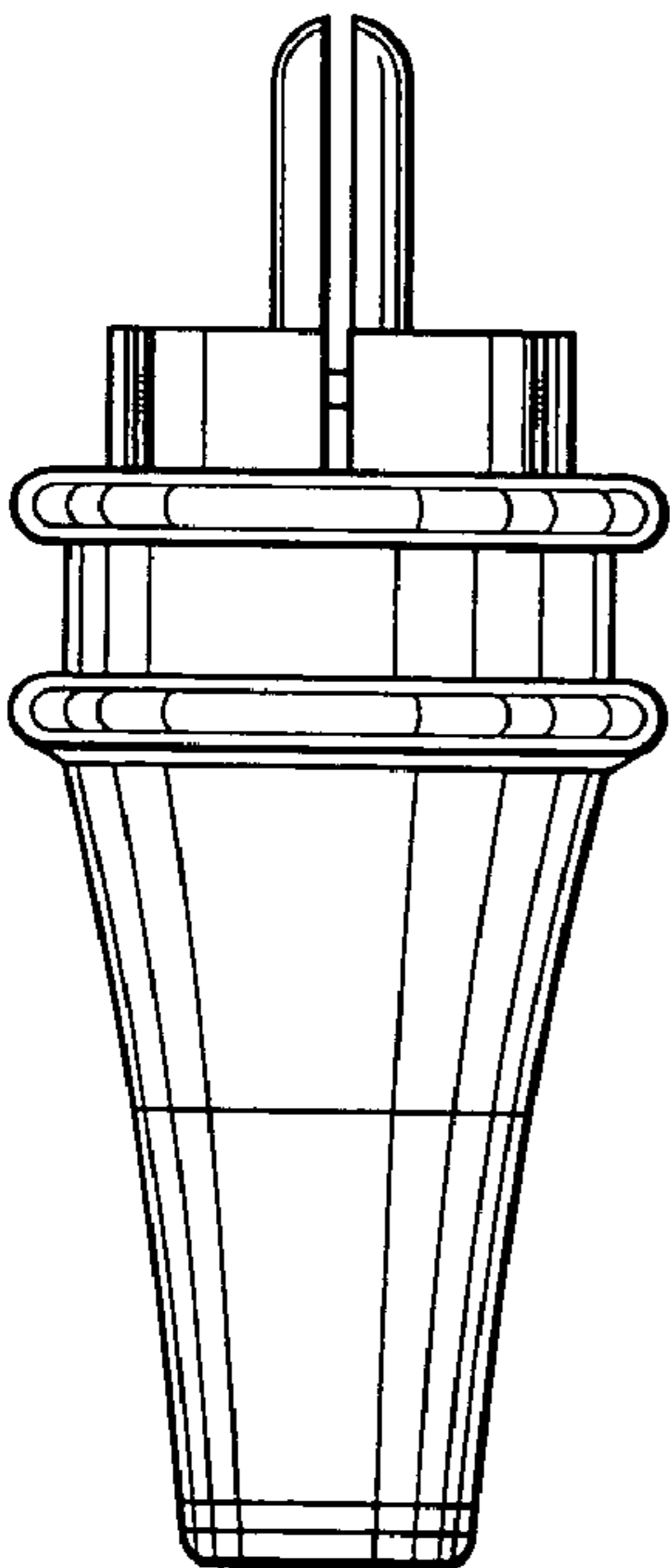


FIG. 3

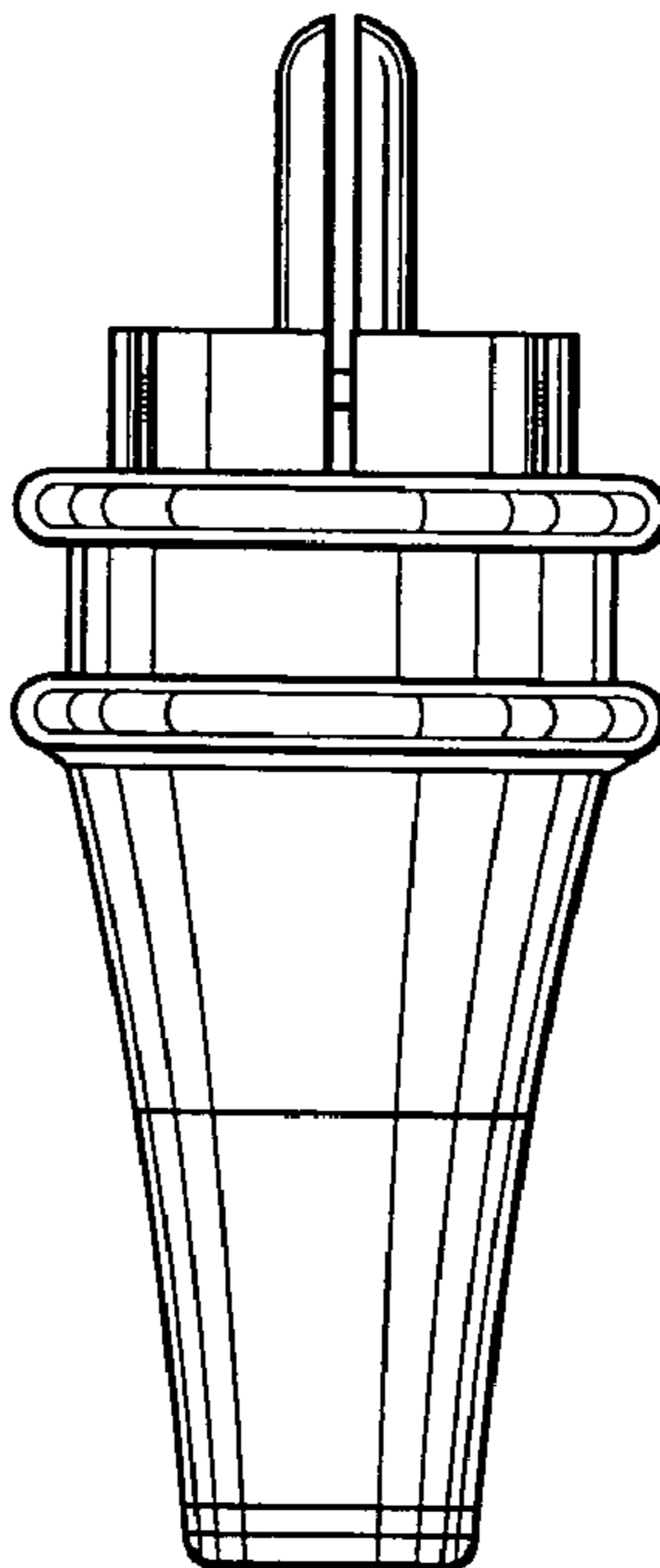


FIG. 2

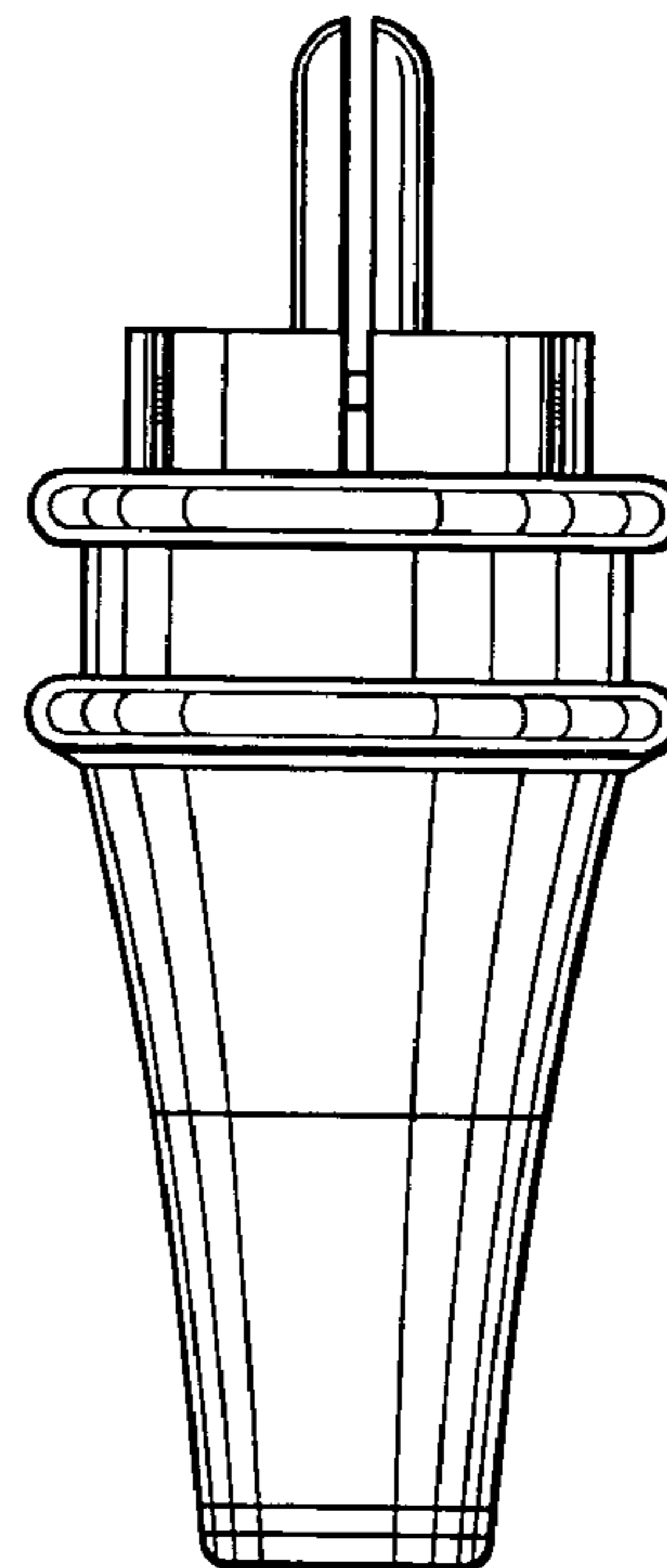


FIG. 5

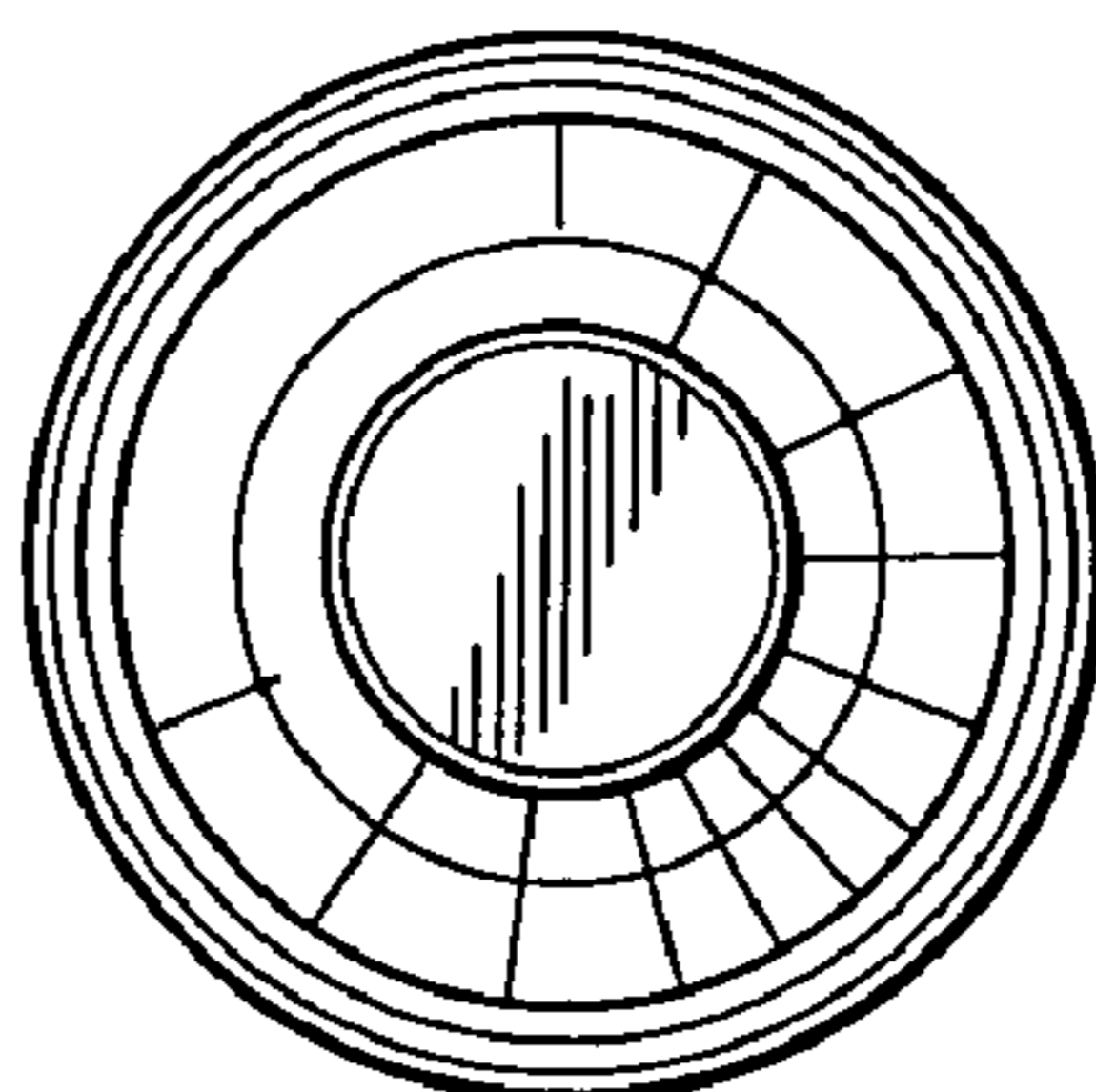


FIG. 6

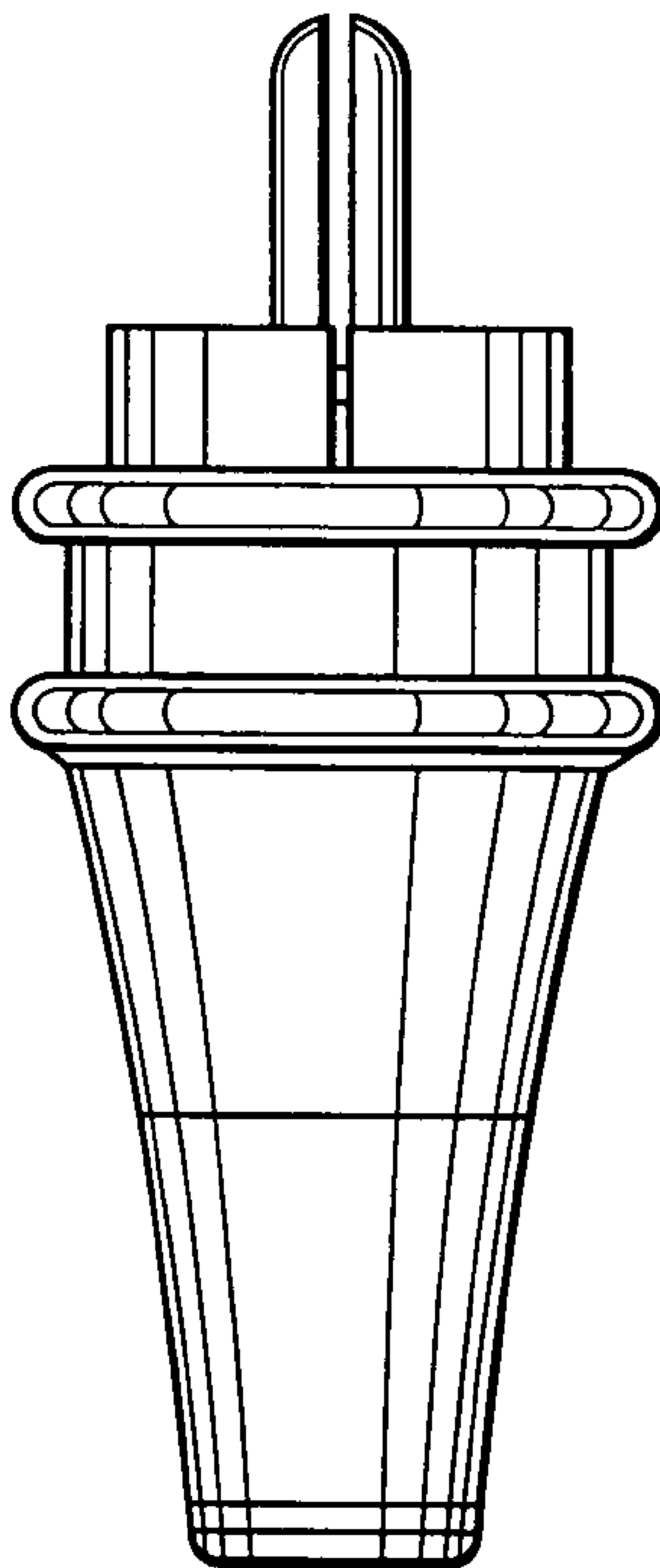


FIG. 7