



US00D578476S

(12) **United States Design Patent**
Takahashi

(10) **Patent No.:** **US D578,476 S**

(45) **Date of Patent:** **** Oct. 14, 2008**

(54) **VACUUM CAPACITOR**

(75) Inventor: **Eiichi Takahashi**, Numazu (JP)

(73) Assignee: **Meidensha Corporation**, Tokyo (JP)

(**) Term: **14 Years**

(21) Appl. No.: **29/300,309**

(22) Filed: **Mar. 11, 2008**

(30) **Foreign Application Priority Data**

Sep. 25, 2007 (JP) 2007-025888

(51) **LOC (8) Cl.** **13-03**

(52) **U.S. Cl.** **D13/125**

(58) **Field of Classification Search** D13/123,
D13/125, 133, 154, 184; 361/271, 277, 301.1–301.4,
361/328–330, 763; 438/171, 190, 238, 239,
438/381, 386, 393, 396

See application file for complete search history.

(56) **References Cited**

U.S. PATENT DOCUMENTS

3,509,427 A * 4/1970 Ruschetta 361/519
5,872,410 A * 2/1999 Sudoff 310/68 R
6,017,367 A * 1/2000 Nakata 29/25.03
6,222,720 B1 * 4/2001 Aoki et al. 361/301.5
6,278,603 B1 * 8/2001 Arbanas et al. 361/306.1
6,535,374 B2 * 3/2003 O'Phelan et al. 361/512

D508,236 S * 8/2005 Duke et al. D13/184
D522,456 S * 6/2006 Matsumoto et al. D13/125
D547,720 S * 7/2007 Katoh et al. D13/125
2002/0048139 A1 * 4/2002 Meadows et al. 361/302
2003/0151884 A1 * 8/2003 Matsumoto 361/523
2005/0162807 A1 * 7/2005 Takahashi et al. 361/277

* cited by examiner

Primary Examiner—Prabhakar Deshmukh

Assistant Examiner—Thomas J Johannes

(74) *Attorney, Agent, or Firm*—Foley & Lardner LLP

(57) **CLAIM**

The ornamental design for a vacuum capacitor, as shown and described.

DESCRIPTION

FIG. 1 is a front upper perspective view of a vacuum capacitor showing the new design;

FIG. 2 is a front lower perspective view of the vacuum capacitor showing the new design;

FIG. 3 is a front elevation thereof;

FIG. 4 is a rear elevation thereof;

FIG. 5 is a left side elevation thereof, the right side elevation being symmetrical thereto;

FIG. 6 is a top plan view thereof; and,

FIG. 7 is a bottom plan view thereof.

1 Claim, 5 Drawing Sheets

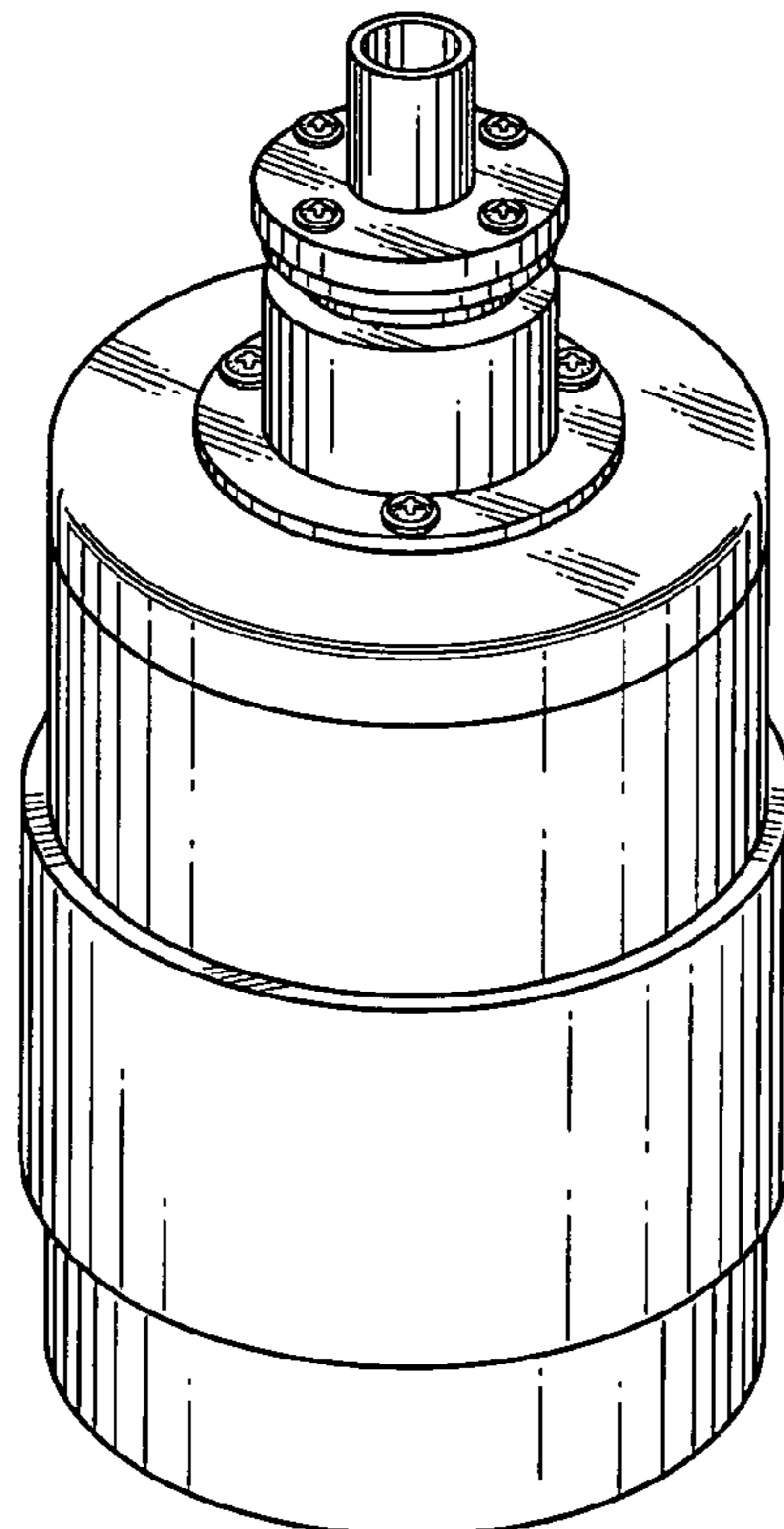


FIG. 1

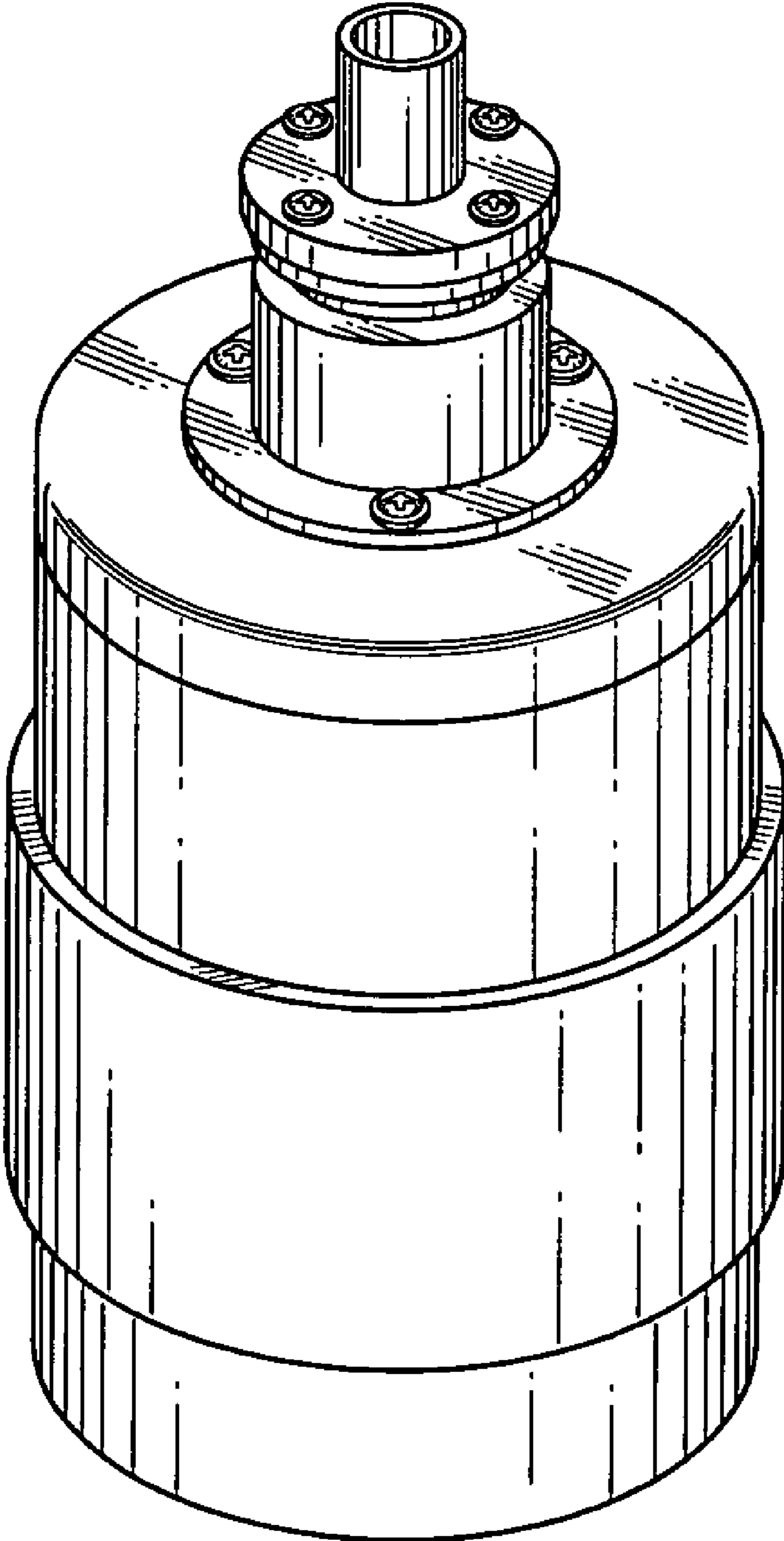


FIG.2

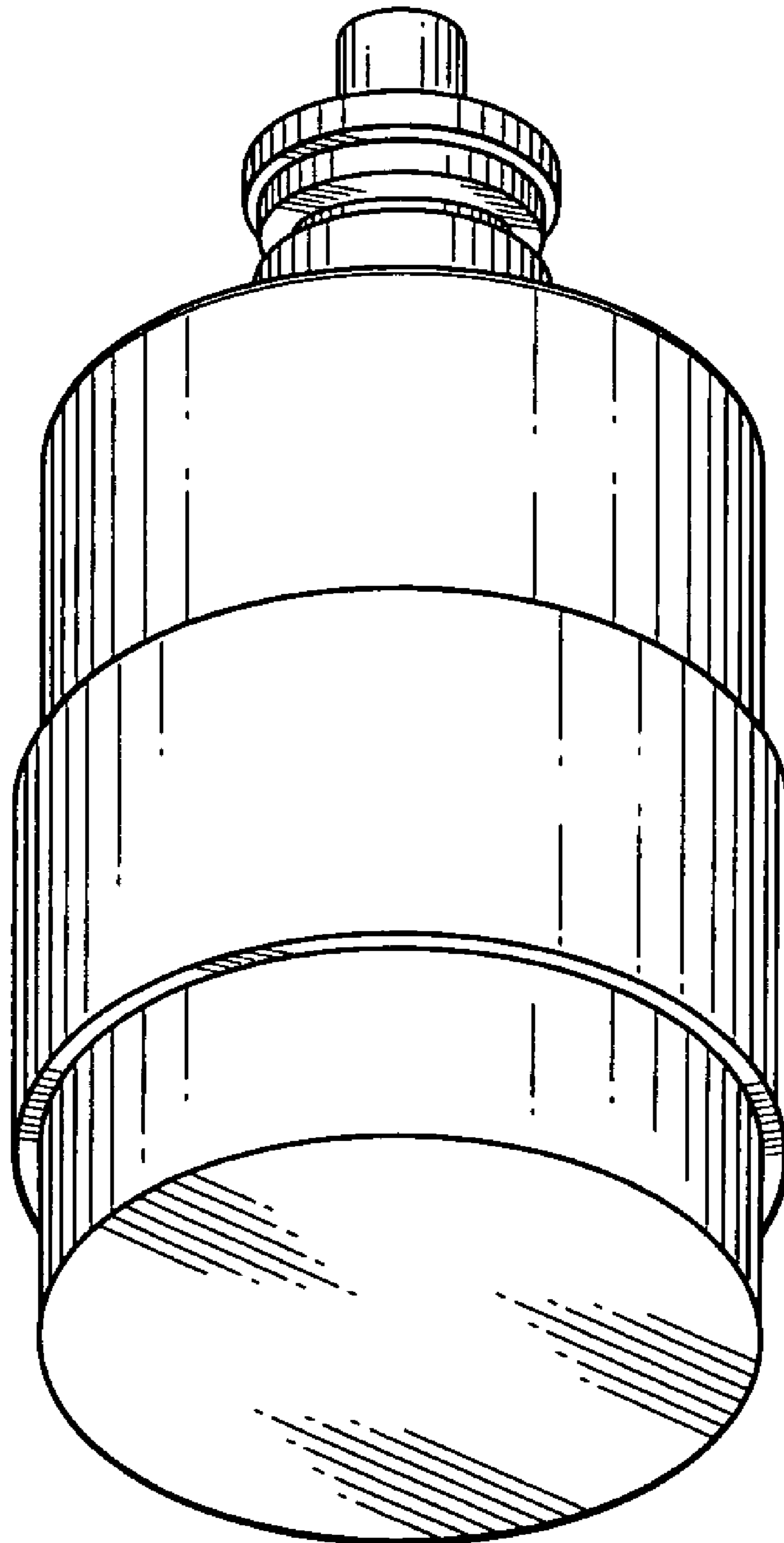


FIG.3

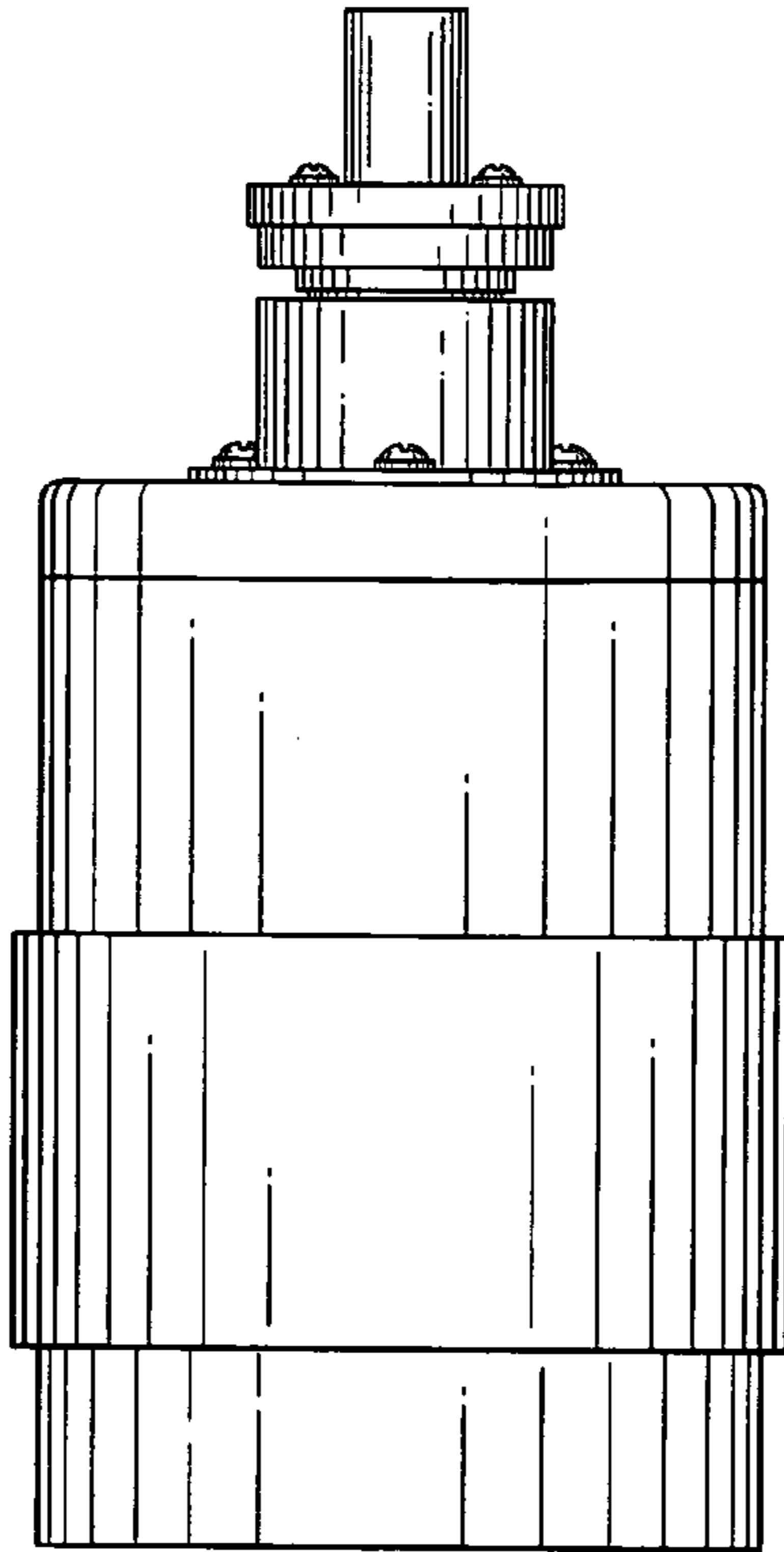


FIG.4

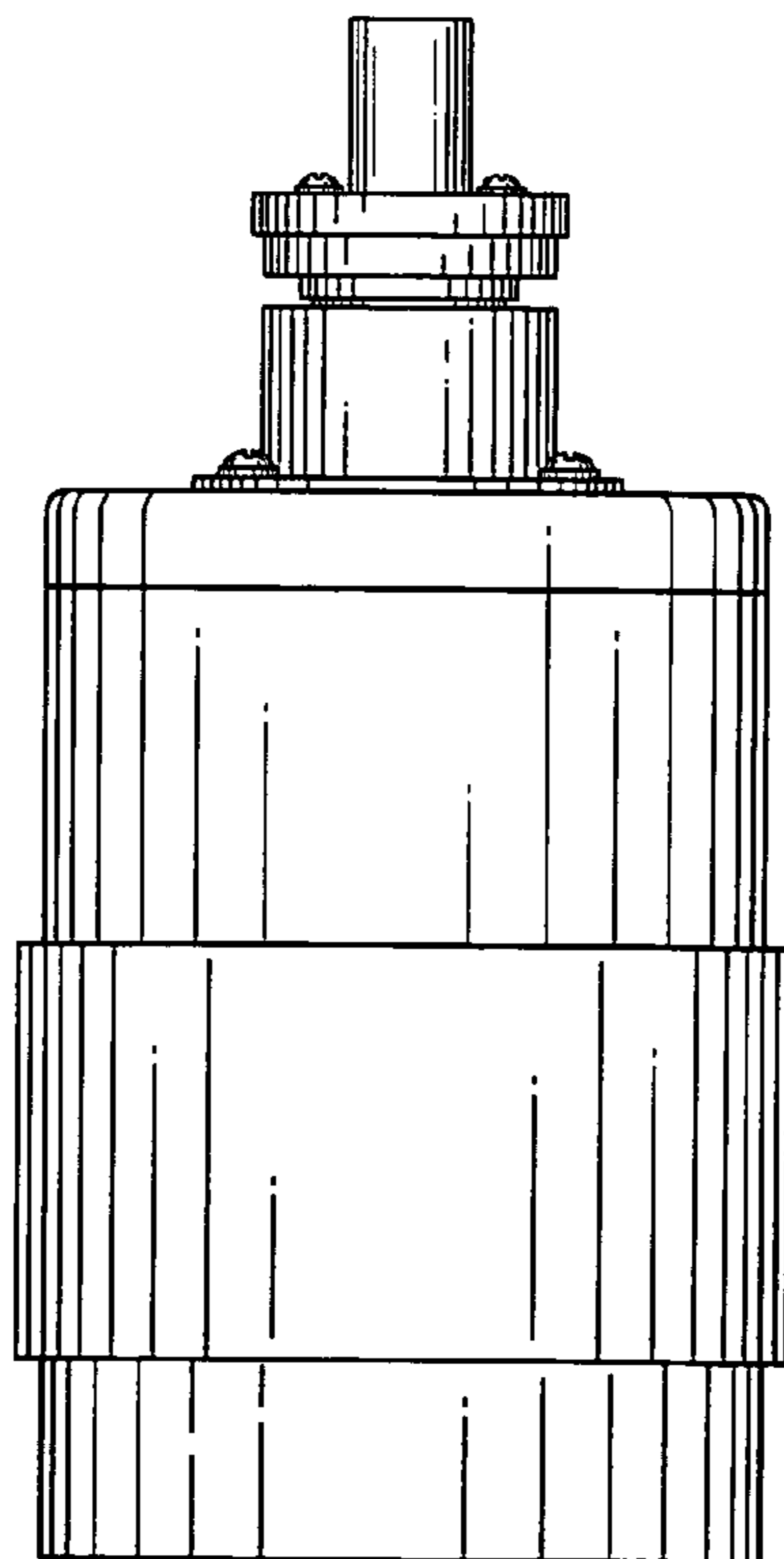


FIG.5

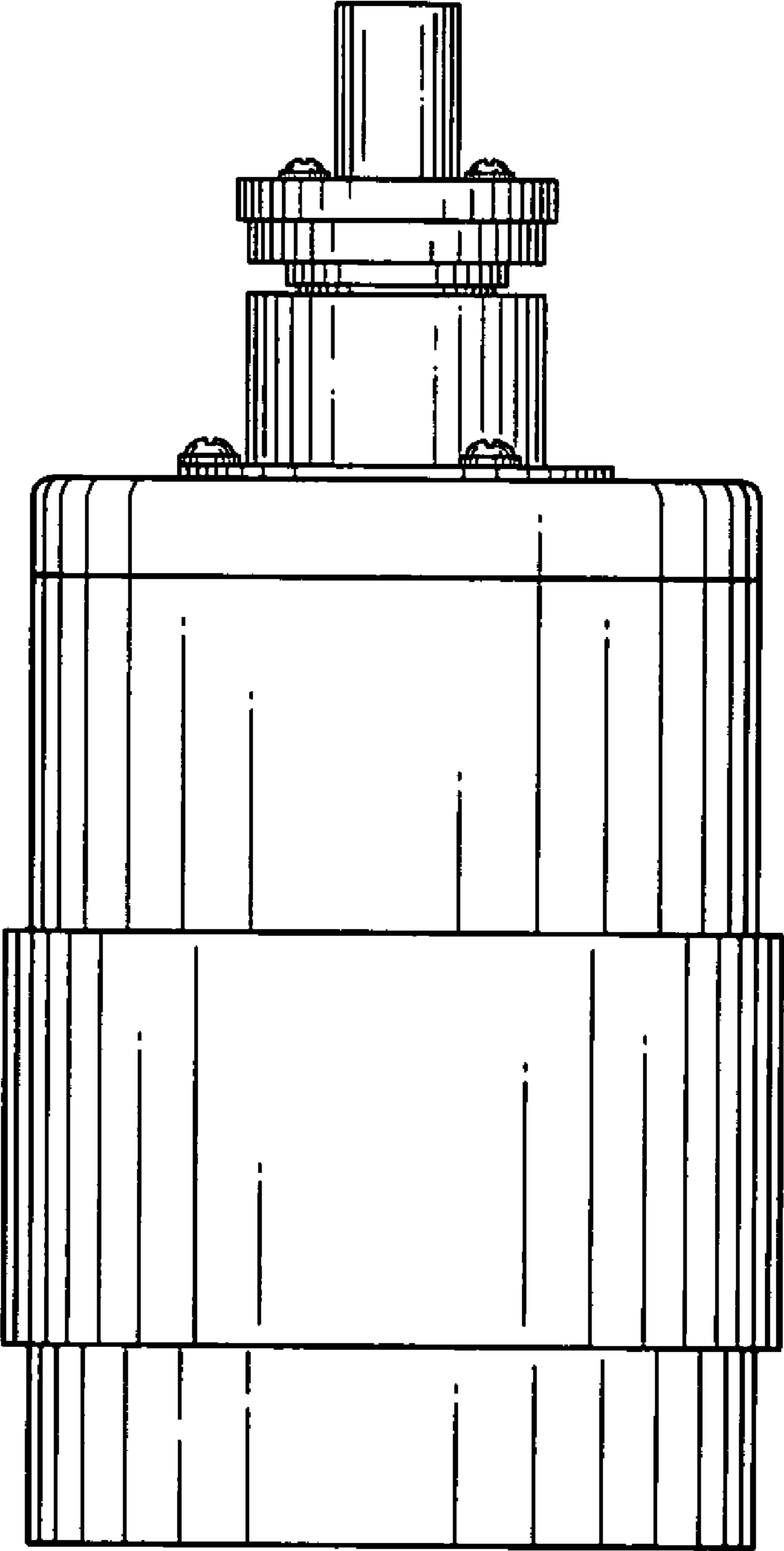


FIG.6

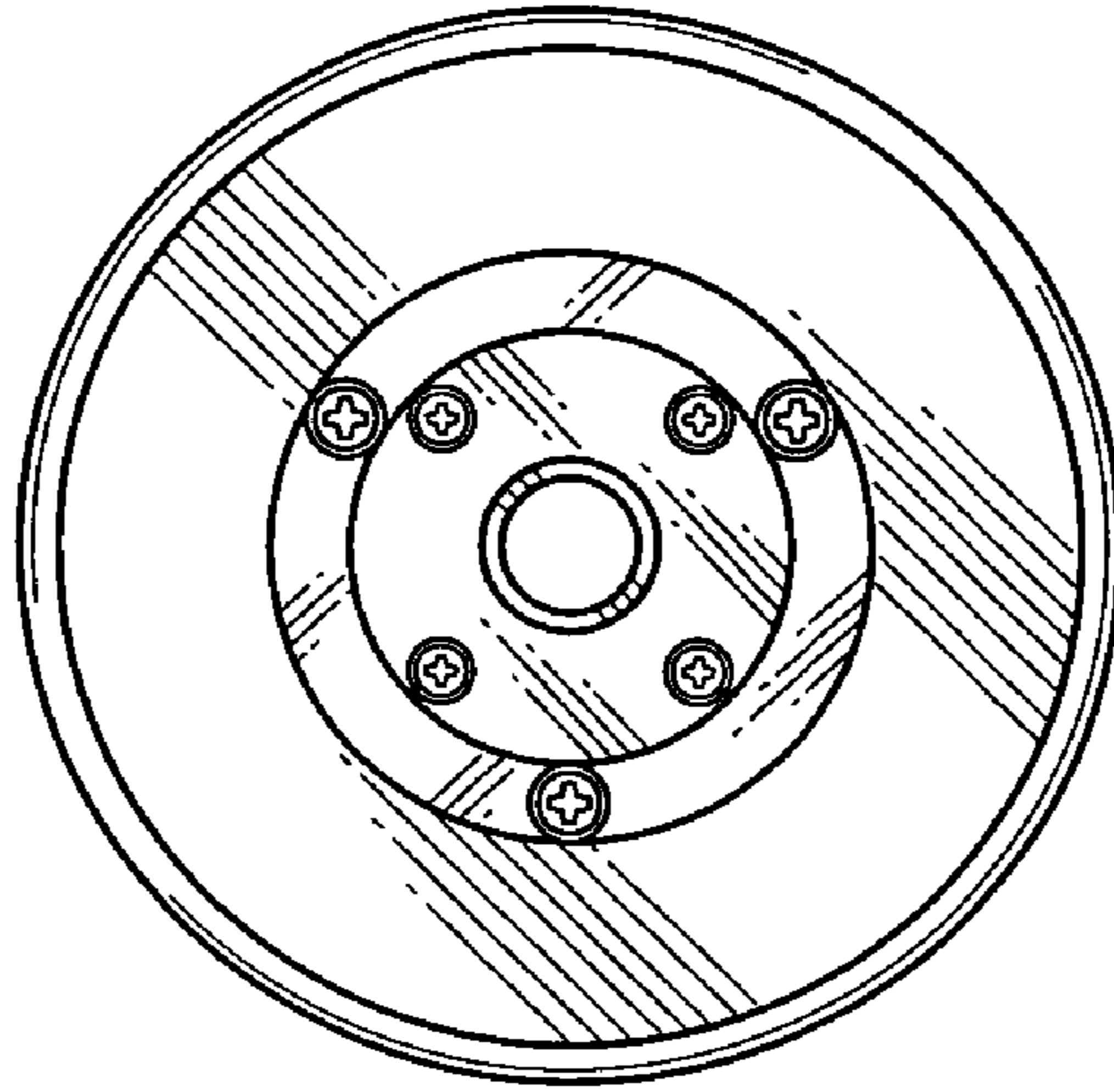


FIG.7

