

US00D578475S

(12) **United States Design Patent**
Beedham

(10) **Patent No.:** **US D578,475 S**

(45) **Date of Patent:** **** Oct. 14, 2008**

(54) **MINI CHARGER FOR TOOTHBRUSH**

(75) Inventor: **Martyn Beedham**, Amsterdam (NL)

(73) Assignee: **Koninklijke Philips Electronics N.V.**,
Eindhoven (NL)

(**) Term: **14 Years**

(21) Appl. No.: **29/297,888**

(22) Filed: **Nov. 21, 2007**

(30) **Foreign Application Priority Data**

May 24, 2007 (EM) 000728464-0005

(51) **LOC (8) Cl.** **13-02**

(52) **U.S. Cl.** **D13/108**

(58) **Field of Classification Search** D13/107-110,
D13/118-119, 184; D14/251, 253, 432,
D14/434; 320/107-115

See application file for complete search history.

(56) **References Cited**

U.S. PATENT DOCUMENTS

D197,208 S * 12/1963 Cassidy et al. D4/101
D221,824 S * 9/1971 Cook D4/199
D221,825 S * 9/1971 Cook D4/199
D221,826 S * 9/1971 Cook D4/199

D240,433 S * 7/1976 Krapowicz D13/108
D292,264 S * 10/1987 Staufenberg et al. D8/380
D325,369 S * 4/1992 Ullmann D13/108
D353,490 S * 12/1994 Hartwein D4/108
D486,787 S * 2/2004 Krieger et al. D13/108
D541,215 S * 4/2007 Vu D13/108
D548,179 S * 8/2007 Vu D13/108
D548,978 S * 8/2007 Vu D13/108

* cited by examiner

Primary Examiner—Jennifer Rivard

Assistant Examiner—Rosemary K Tarcza

(57) **CLAIM**

The ornamental design for a mini charger for toothbrush, as shown.

DESCRIPTION

FIG. 1 is a perspective view showing my design;

FIG. 2 is a front elevational view thereof;

FIG. 3 is a rear elevational view thereof;

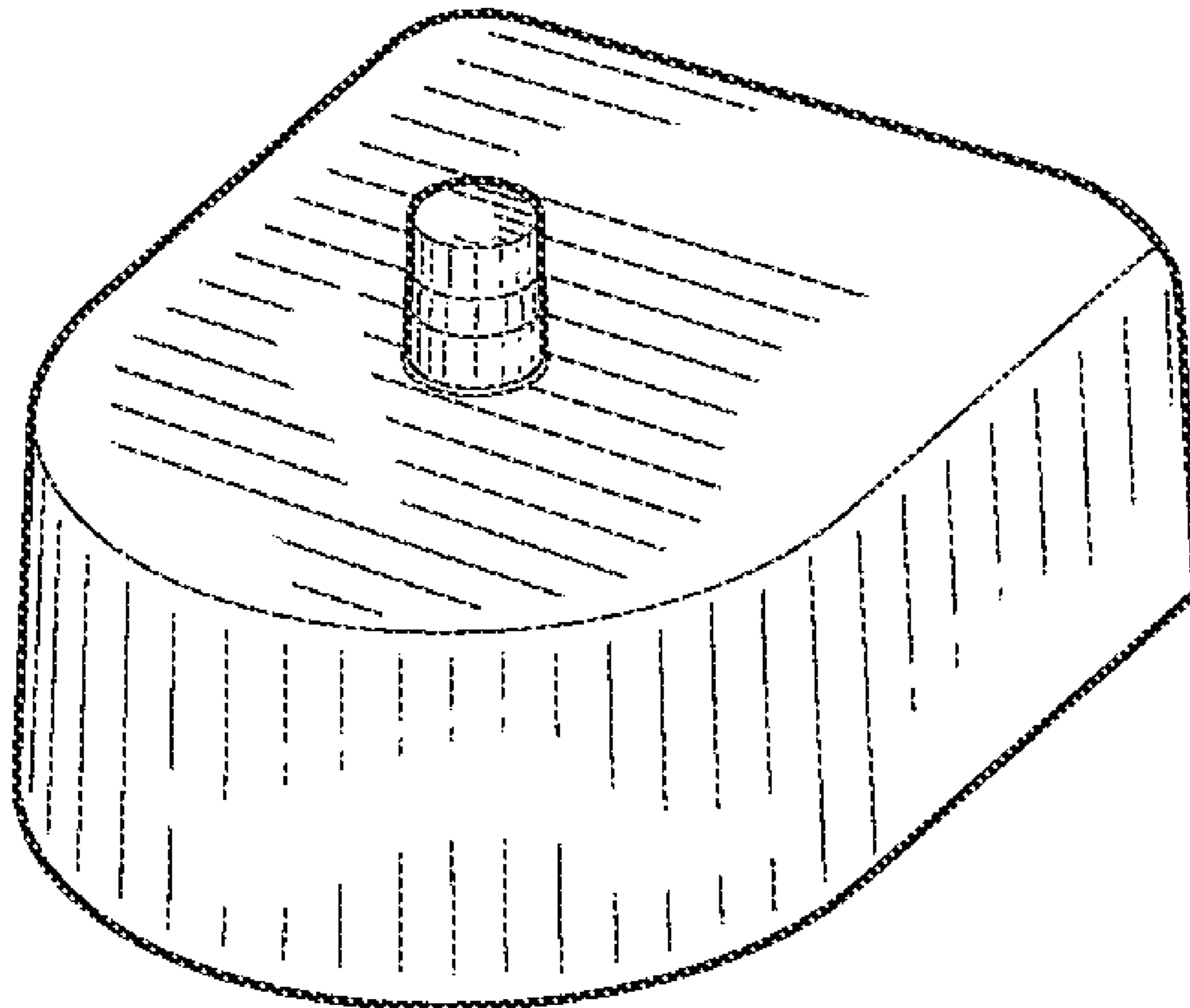
FIG. 4 is a right side elevational view thereof;

FIG. 5 is a left side elevational view thereof;

FIG. 6 is a top plan view thereof; and,

FIG. 7 is a bottom plan view thereof.

1 Claim, 2 Drawing Sheets



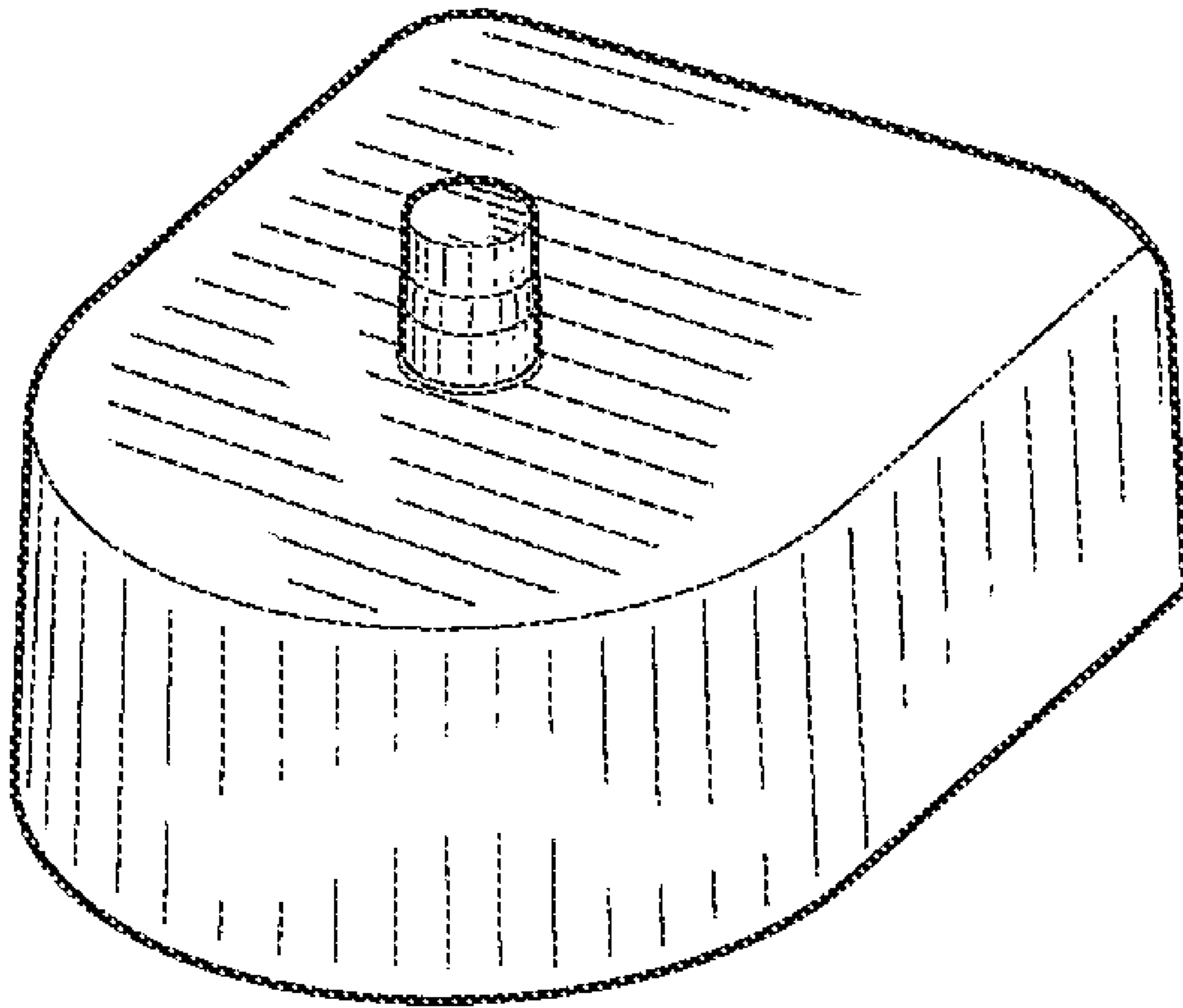


FIG. 1

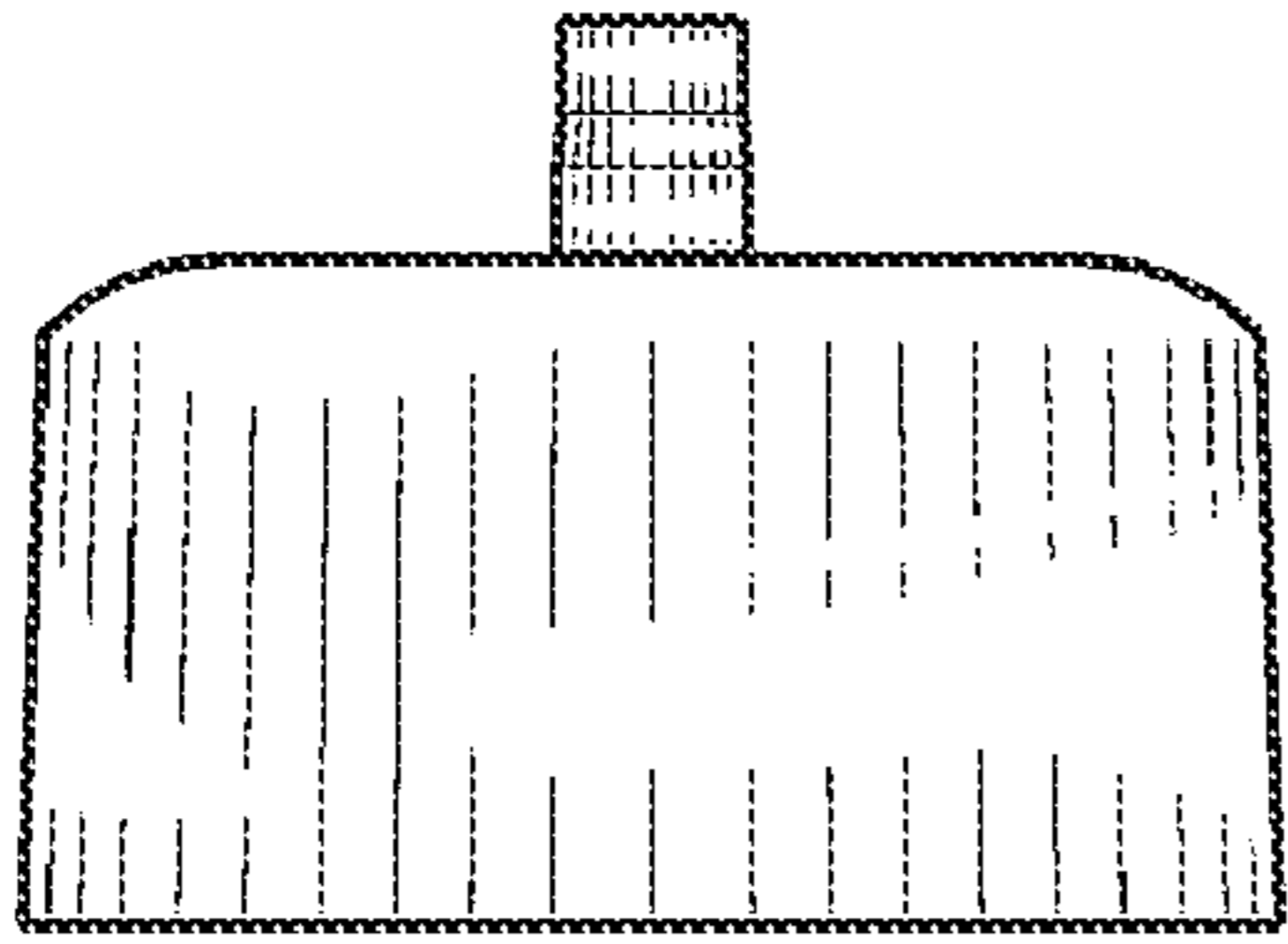


FIG. 2

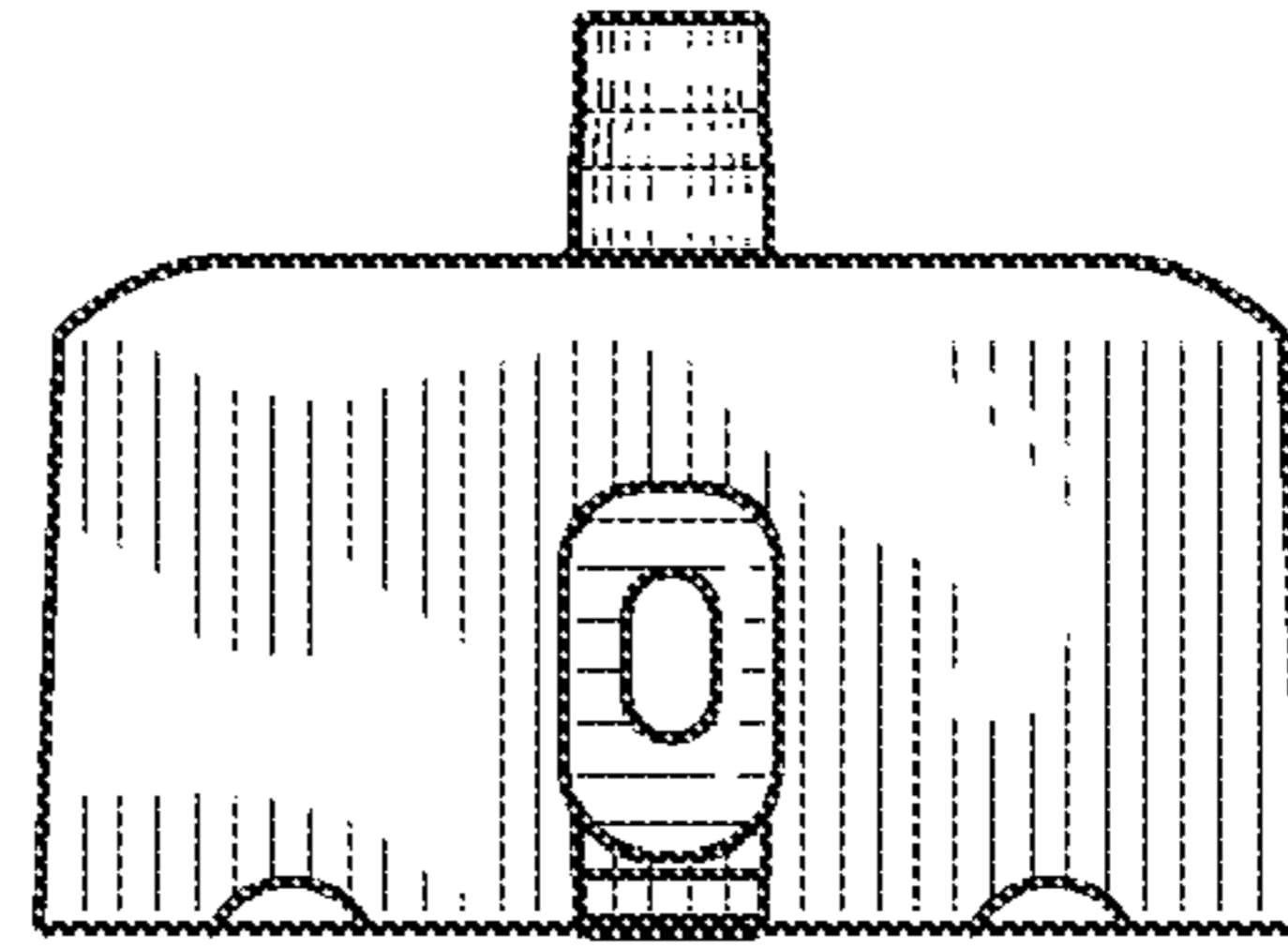


FIG. 3

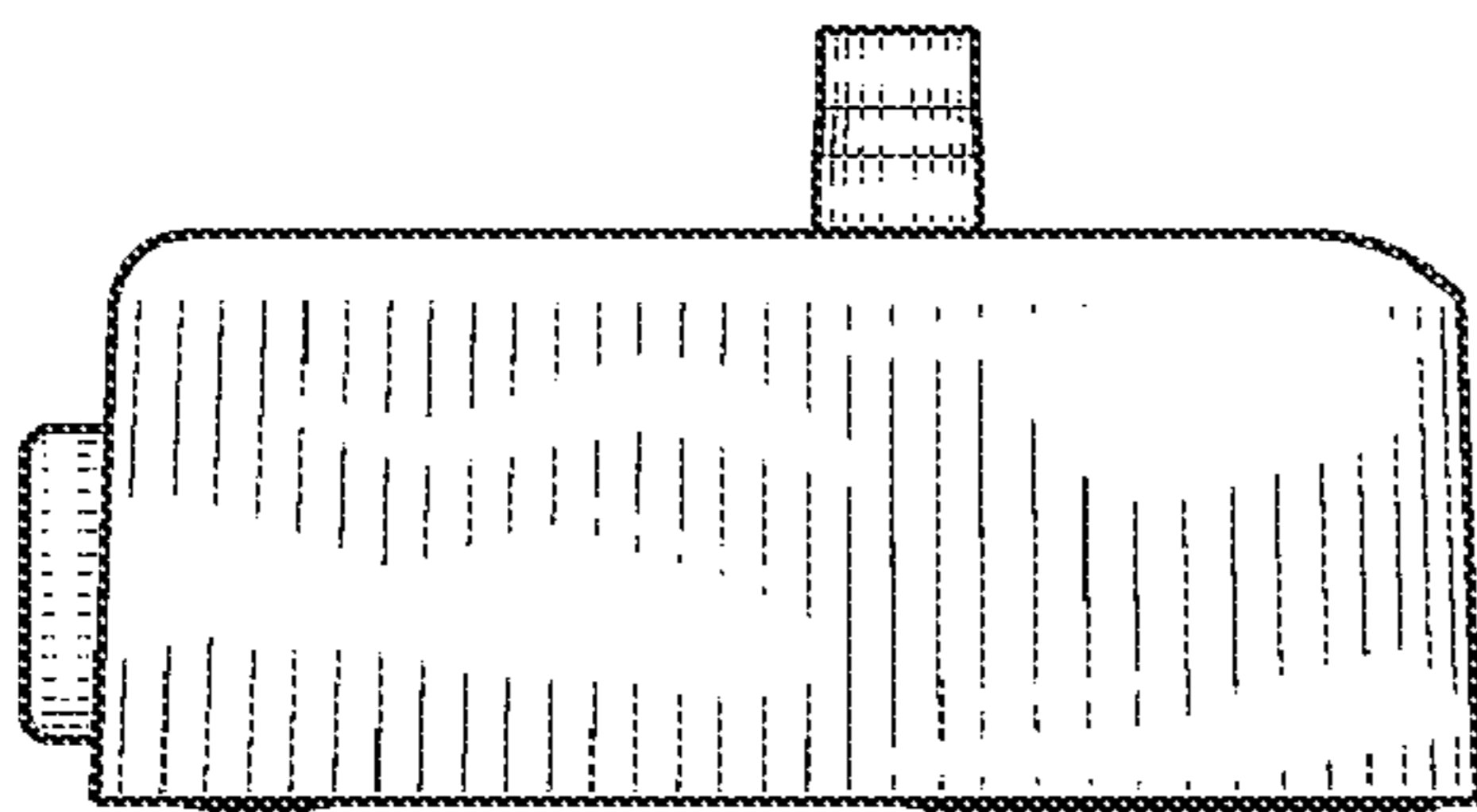


FIG. 4

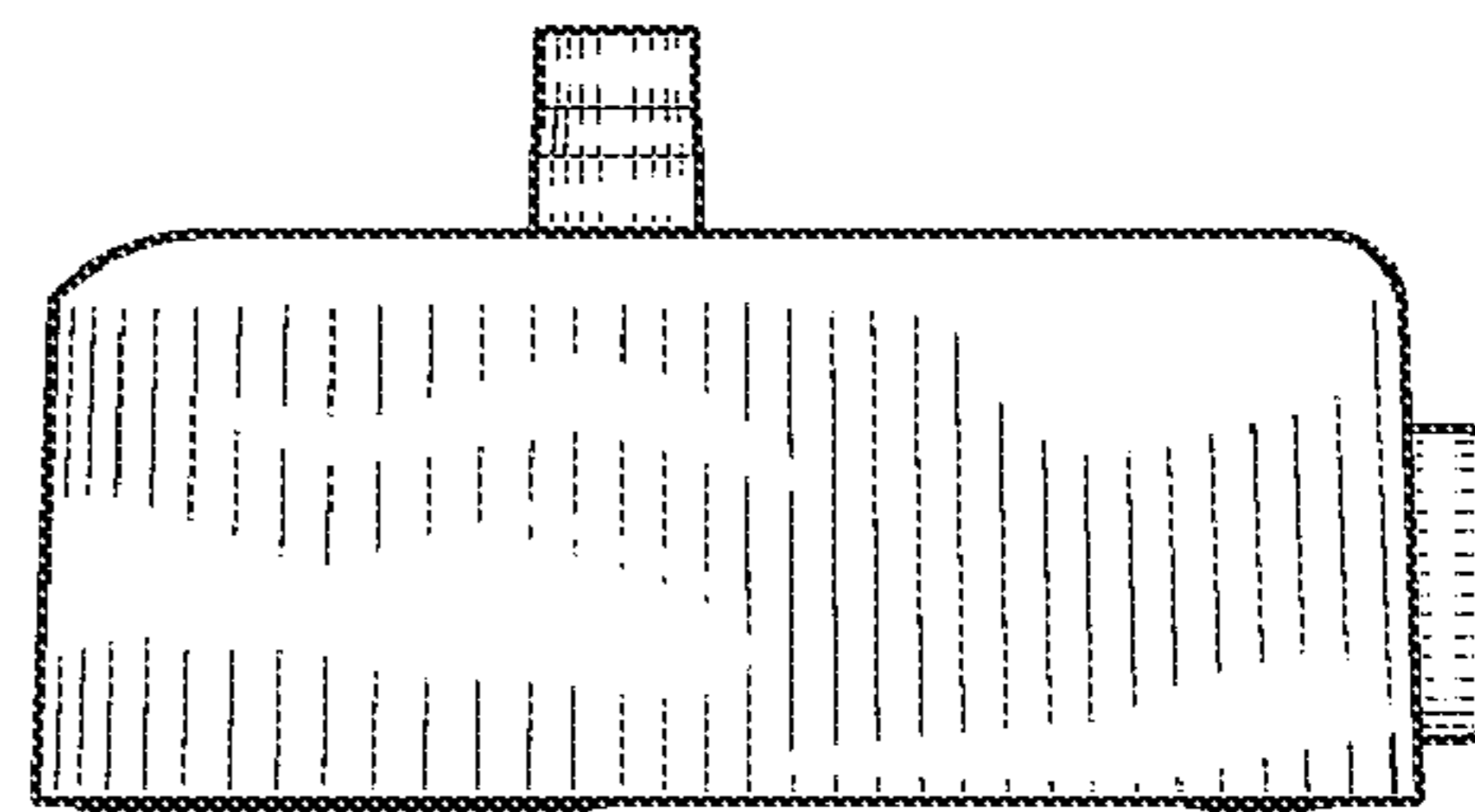


FIG. 5

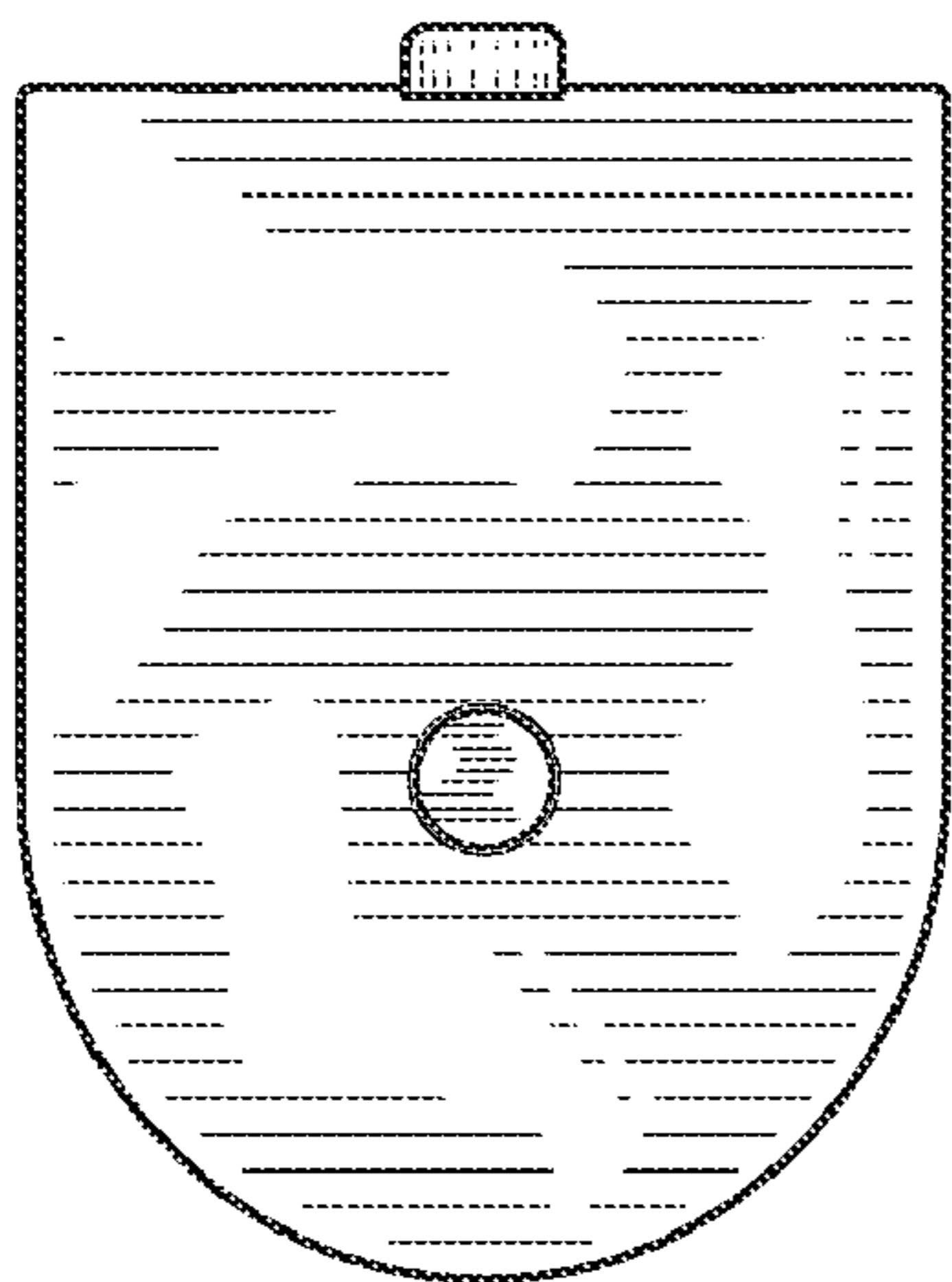


FIG. 6

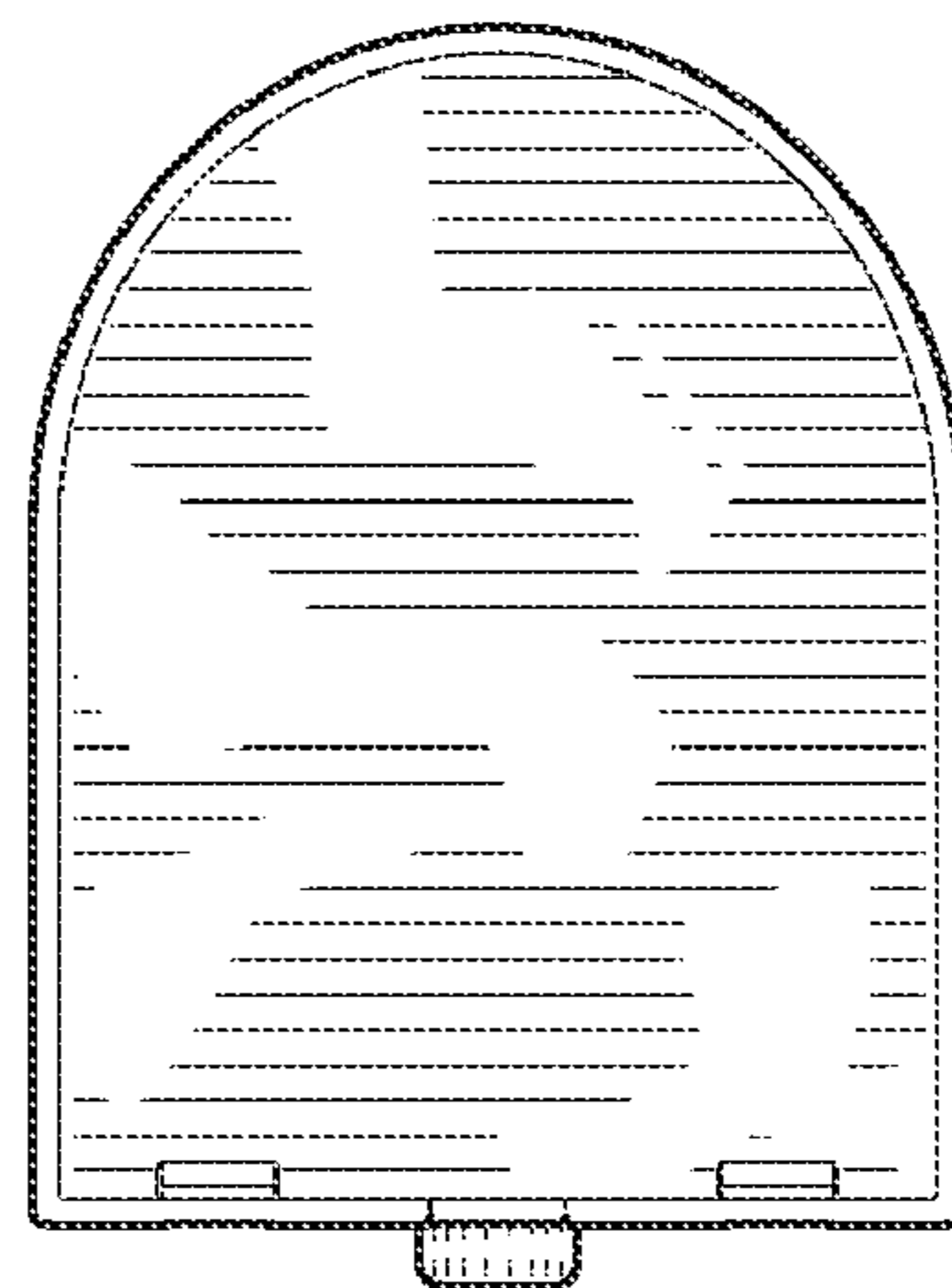


FIG. 7