

US00D578474S

(12) **United States Design Patent**
Nishizawa

(10) **Patent No.:** **US D578,474 S**

(45) **Date of Patent:** **** Oct. 14, 2008**

(54) **CHARGER FOR ELECTRIC SHAVER WITH DRYER**

(75) Inventor: **Tsuyoshi Nishizawa**, Yokohama (JP)

(73) Assignee: **Matsushita Electric Works, Ltd.**,
Osaka (JP)

(**) Term: **14 Years**

(21) Appl. No.: **29/297,539**

(22) Filed: **Nov. 13, 2007**

(30) **Foreign Application Priority Data**

May 14, 2007 (JP) 2007-012575

(51) **LOC (8) Cl.** **13-02**

(52) **U.S. Cl.** **D13/108**

(58) **Field of Classification Search** D13/107-110,
D13/118-119, 184; D14/251, 253, 432,
D14/434; 320/107-115; D28/73

See application file for complete search history.

(56) **References Cited**

U.S. PATENT DOCUMENTS

| | | | | |
|--------------|---------|------------------|-------|---------|
| D197,208 S * | 12/1963 | Cassidy et al. | | D4/101 |
| D334,170 S * | 3/1993 | Rams et al. | | D13/108 |
| D449,708 S * | 10/2001 | Ullmann | | D28/44 |
| D466,700 S * | 12/2002 | Richmond et al. | | D4/199 |
| D475,346 S * | 6/2003 | McCurrach et al. | | D13/108 |
| D513,341 S * | 12/2005 | Ullmann | | D28/44 |
| D516,022 S * | 2/2006 | Winkler | | D13/108 |
| D519,682 S * | 4/2006 | Choi | | D28/73 |
| D535,787 S * | 1/2007 | Lin | | D28/53 |
| D549,647 S * | 8/2007 | Nishizawa | | D13/108 |

* cited by examiner

Primary Examiner—Jennifer Rivard

Assistant Examiner—Rosemary K Tarca

(74) *Attorney, Agent, or Firm*—Osha • Liang LLP

(57) **CLAIM**

The ornamental design for a charger for electric shaver with dryer, as shown and described.

DESCRIPTION

FIG. 1 is a perspective view of front, left side and top plan view of a charger for electric shaver with dryer showing my new design;

FIG. 2 is a front view thereof;

FIG. 3 is a rear view thereof;

FIG. 4 is a right side view thereof;

FIG. 5 is a left side view thereof;

FIG. 6 is a top plan view thereof;

FIG. 7 is a bottom plan view thereof;

FIG. 8 is an end view at cross-section 8—8 of FIG. 2, where the internal components are omitted;

FIG. 9 is a perspective view showing an environmental use thereof;

FIG. 10 is a perspective view of front, left side and top plan view of the new design in an alternate position;

FIG. 11 is a front view thereof;

FIG. 12 is a rear view thereof;

FIG. 13 is a top plan view thereof;

FIG. 14 is a bottom plan view thereof;

FIG. 15 is a right side view thereof;

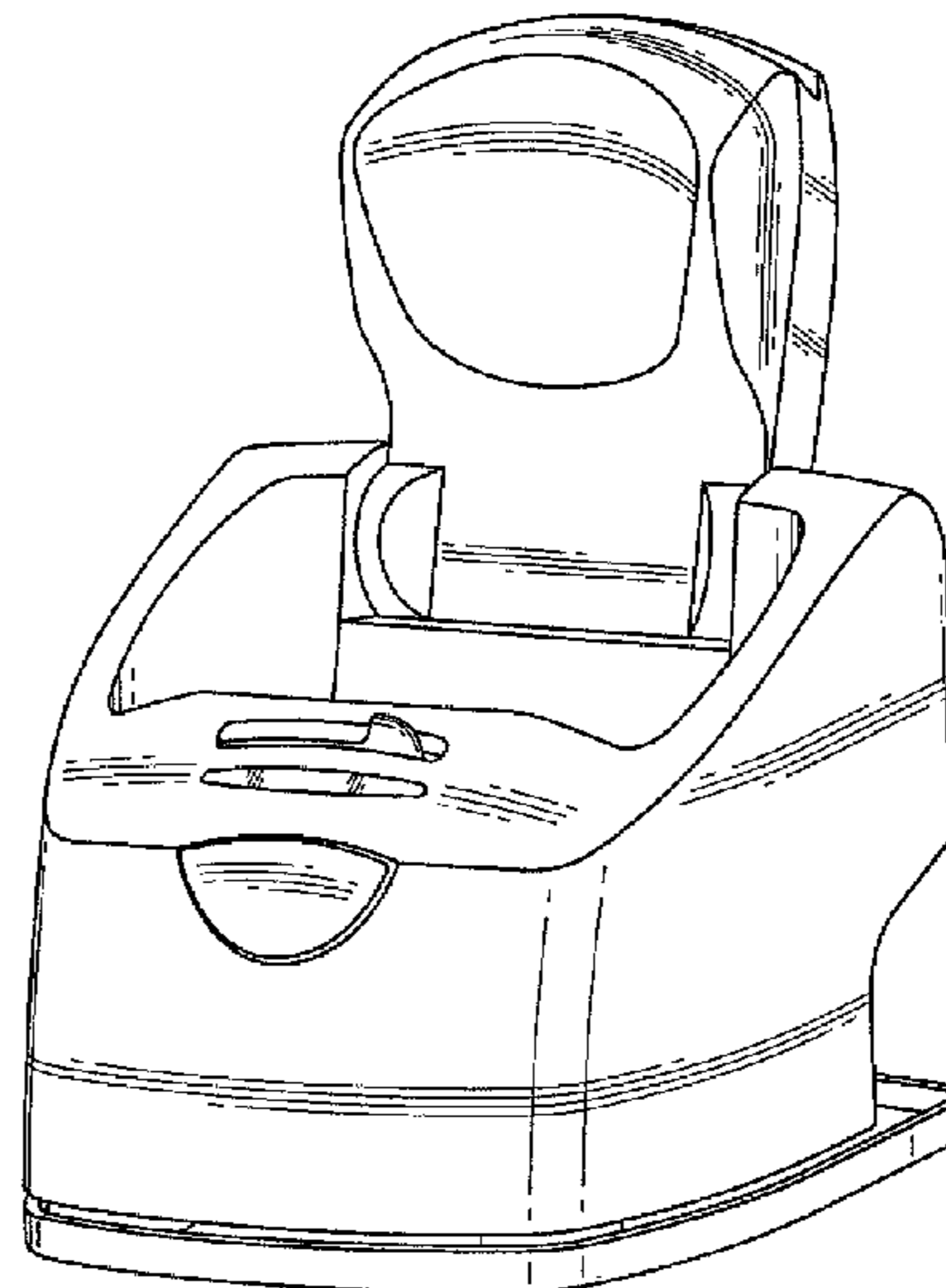
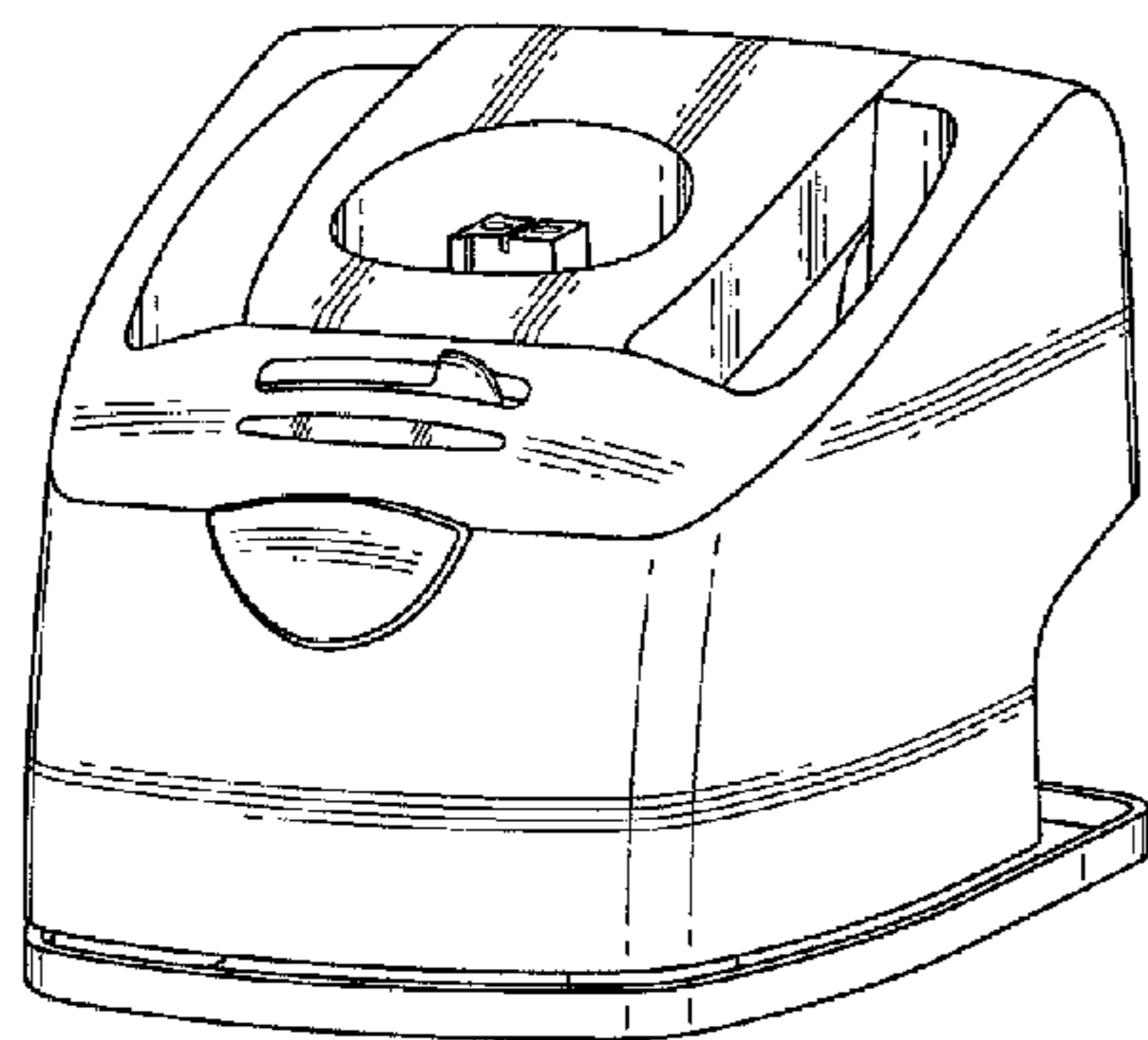
FIG. 16 is a left side view thereof;

FIG. 17 is a cross-sectional view thereof, taken at line 17—17 of FIG. 11; and,

FIG. 18 is a perspective view showing an environmental use thereof.

The elements shown in broken lines are for illustrative purposes only and form no part of the claimed invention.

1 Claim, 12 Drawing Sheets



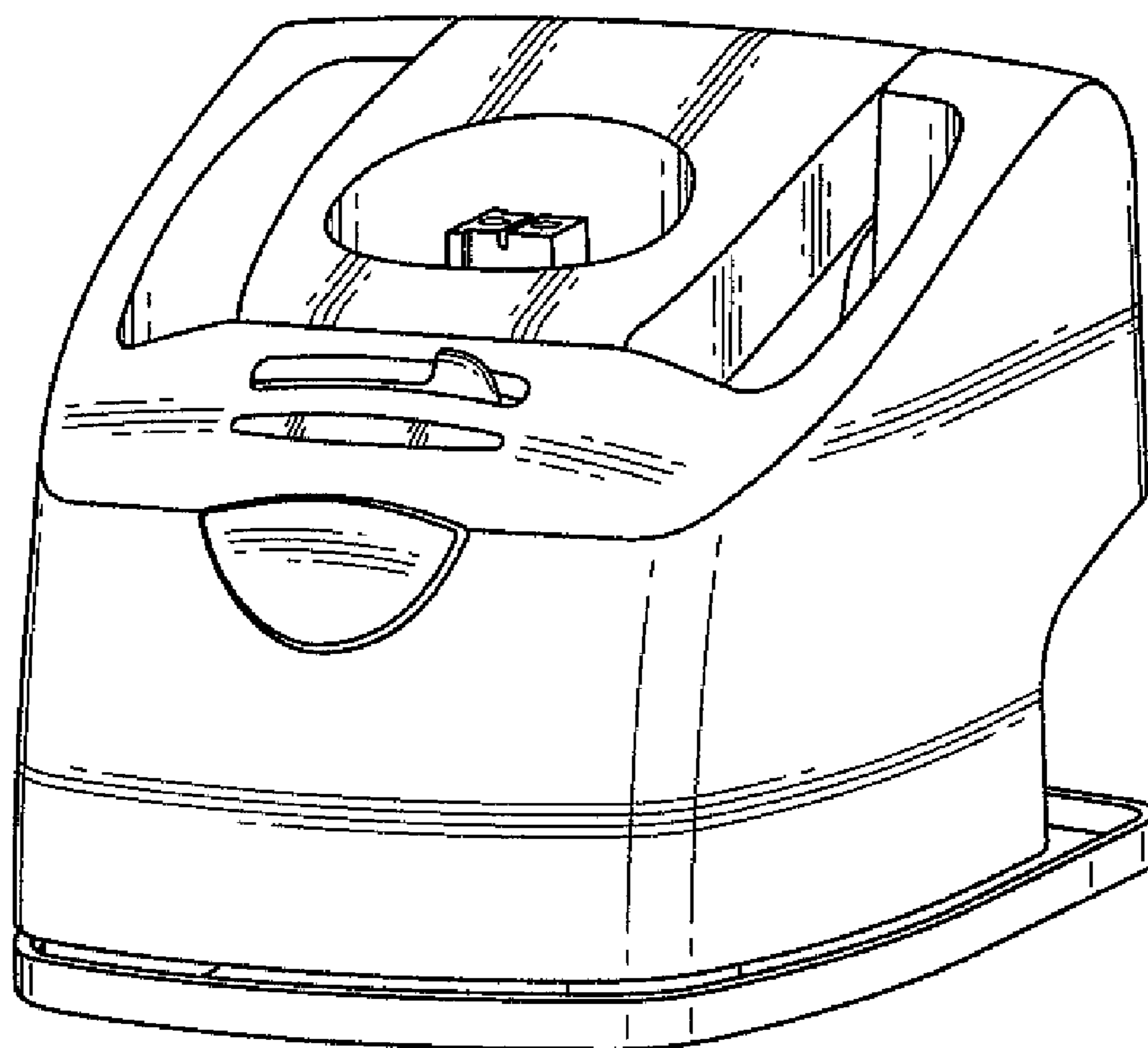


FIG. 1

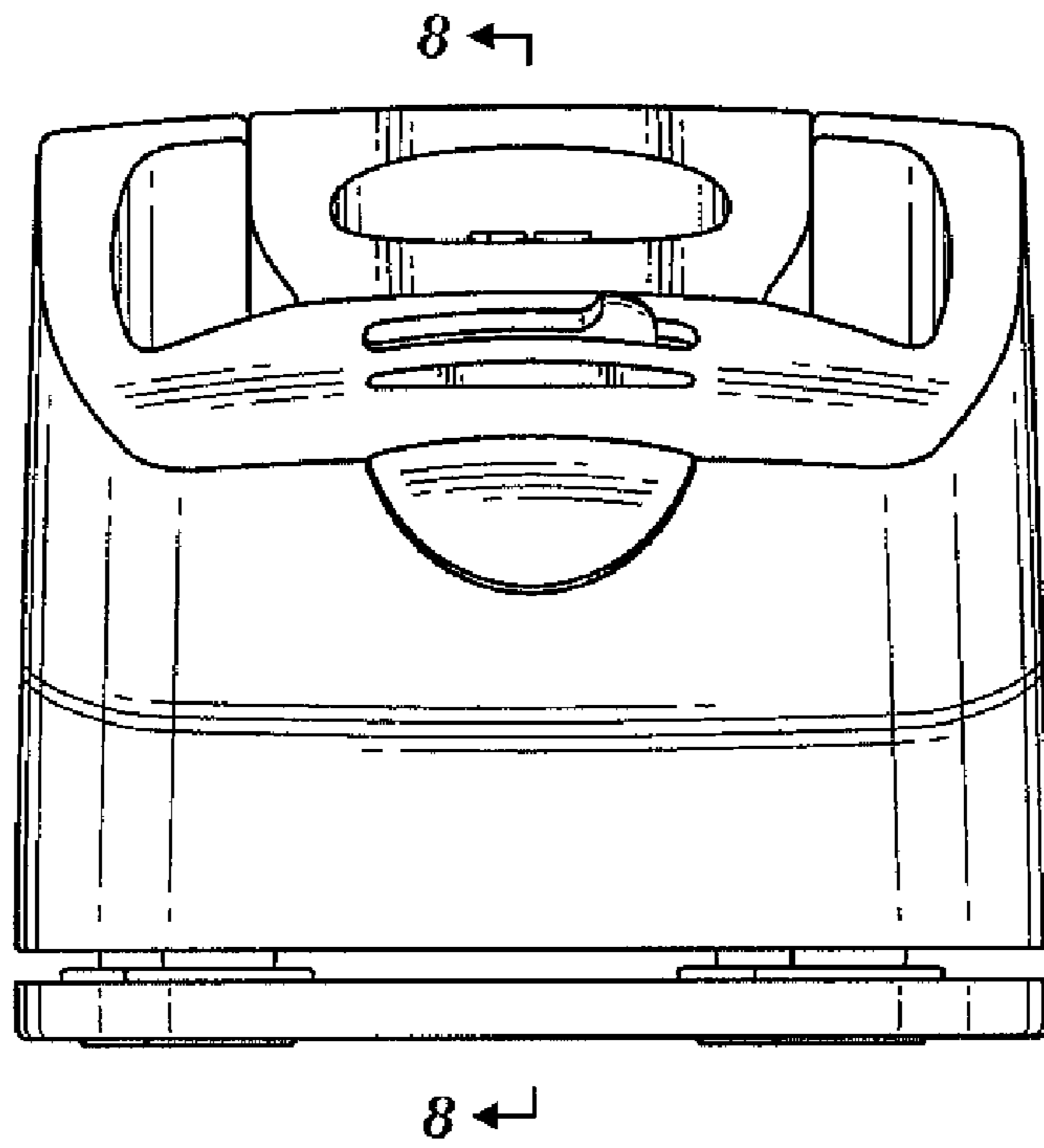


FIG. 2

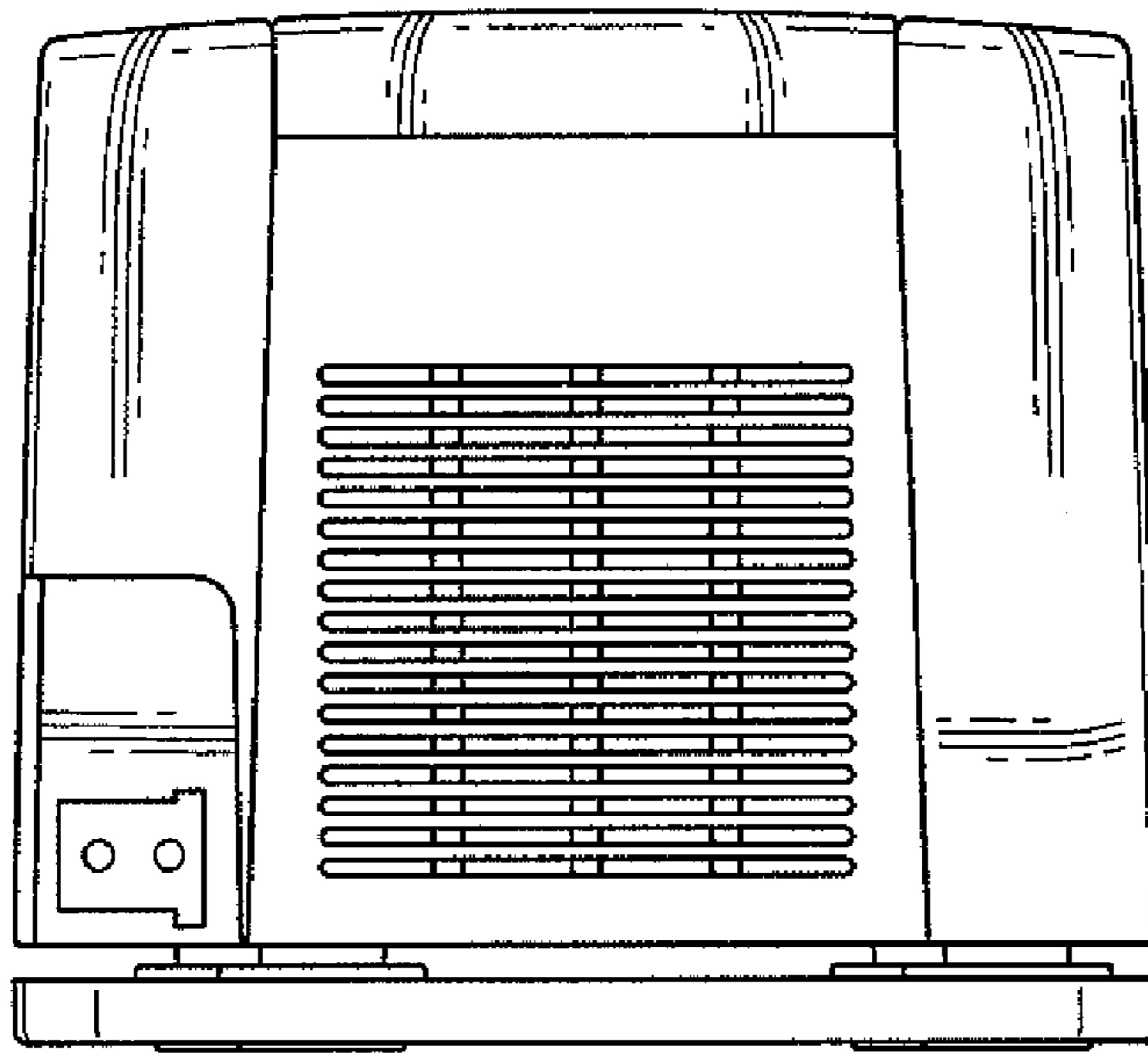


FIG. 3

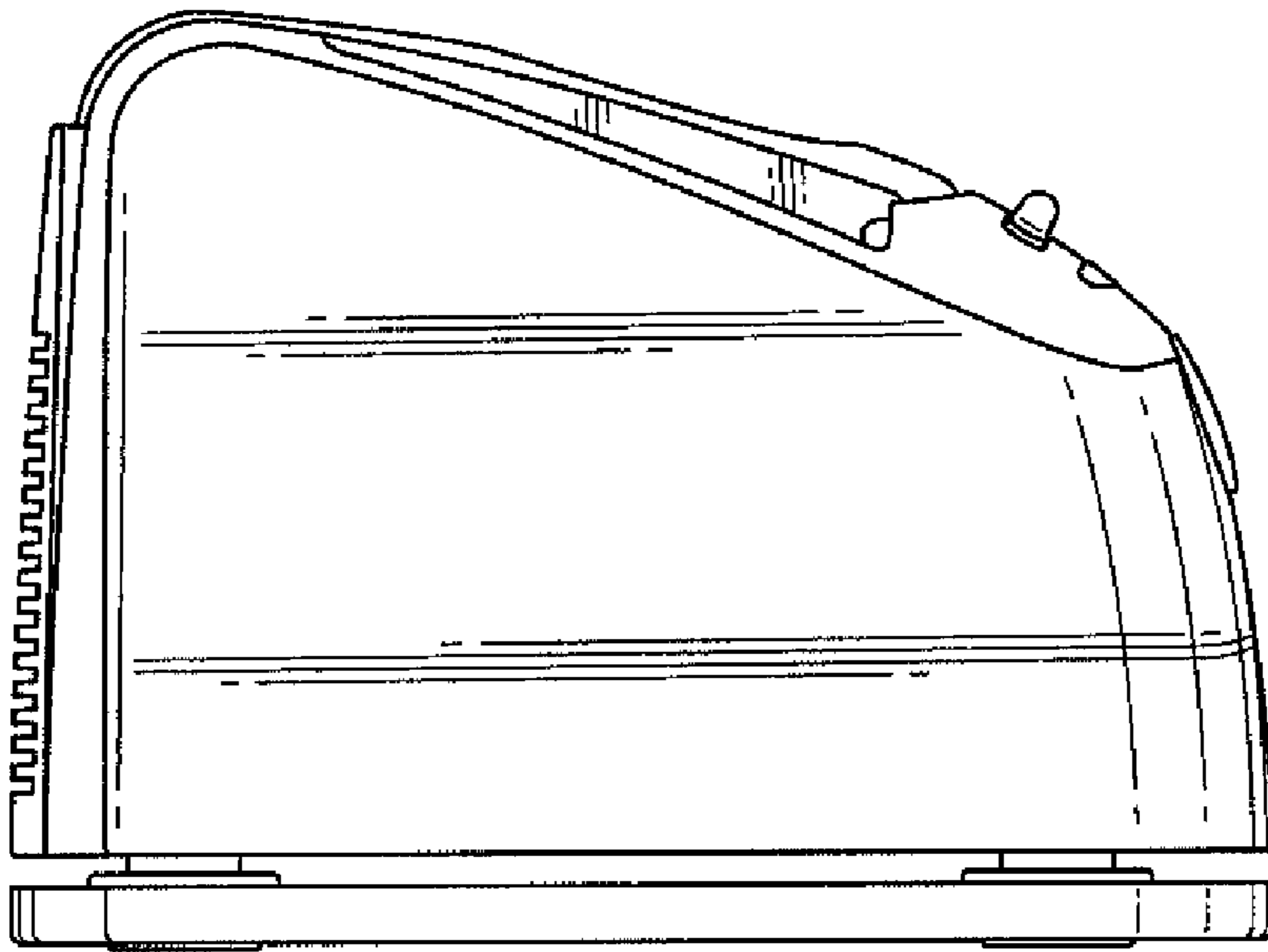


FIG. 4

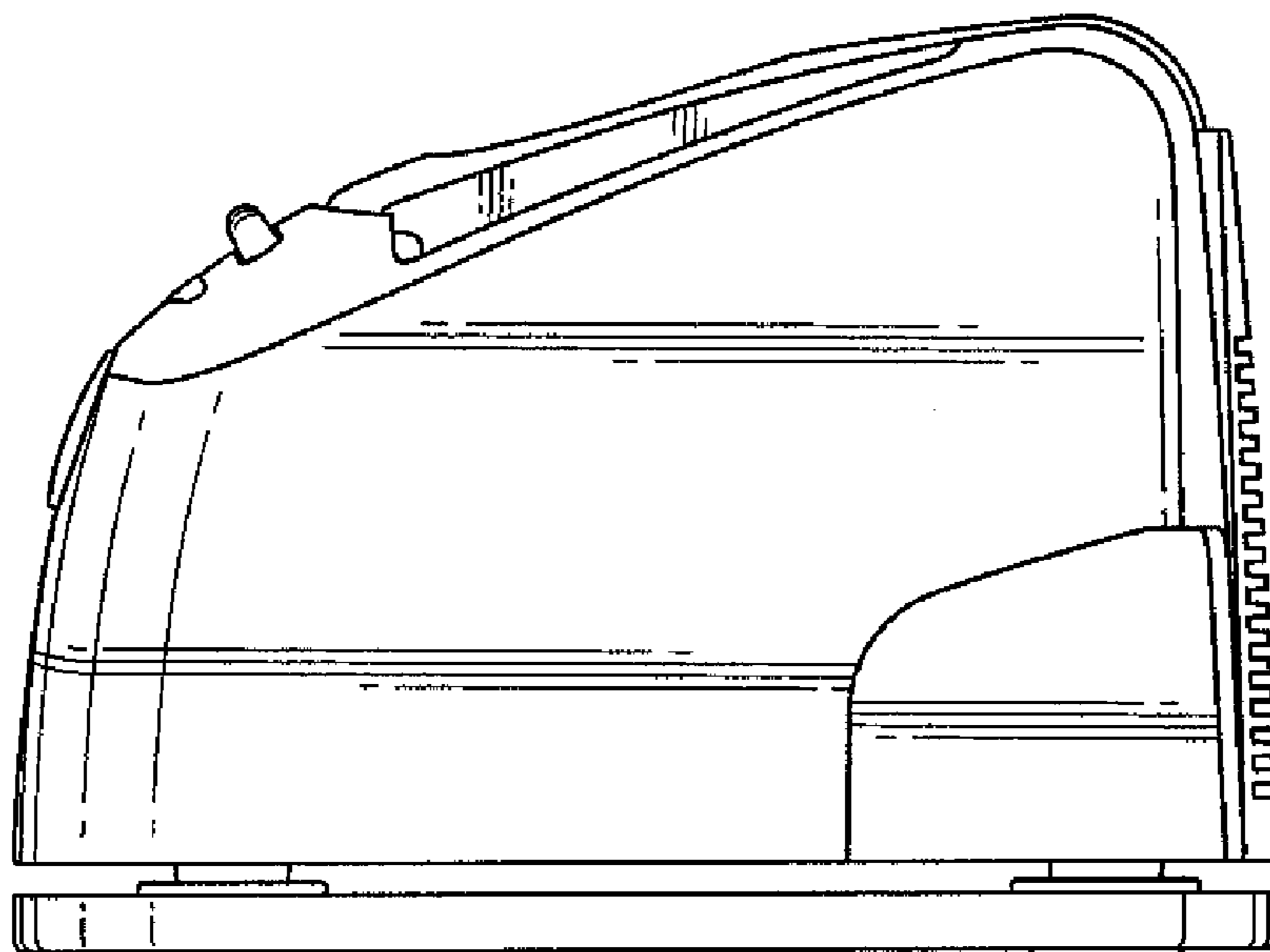


FIG. 5

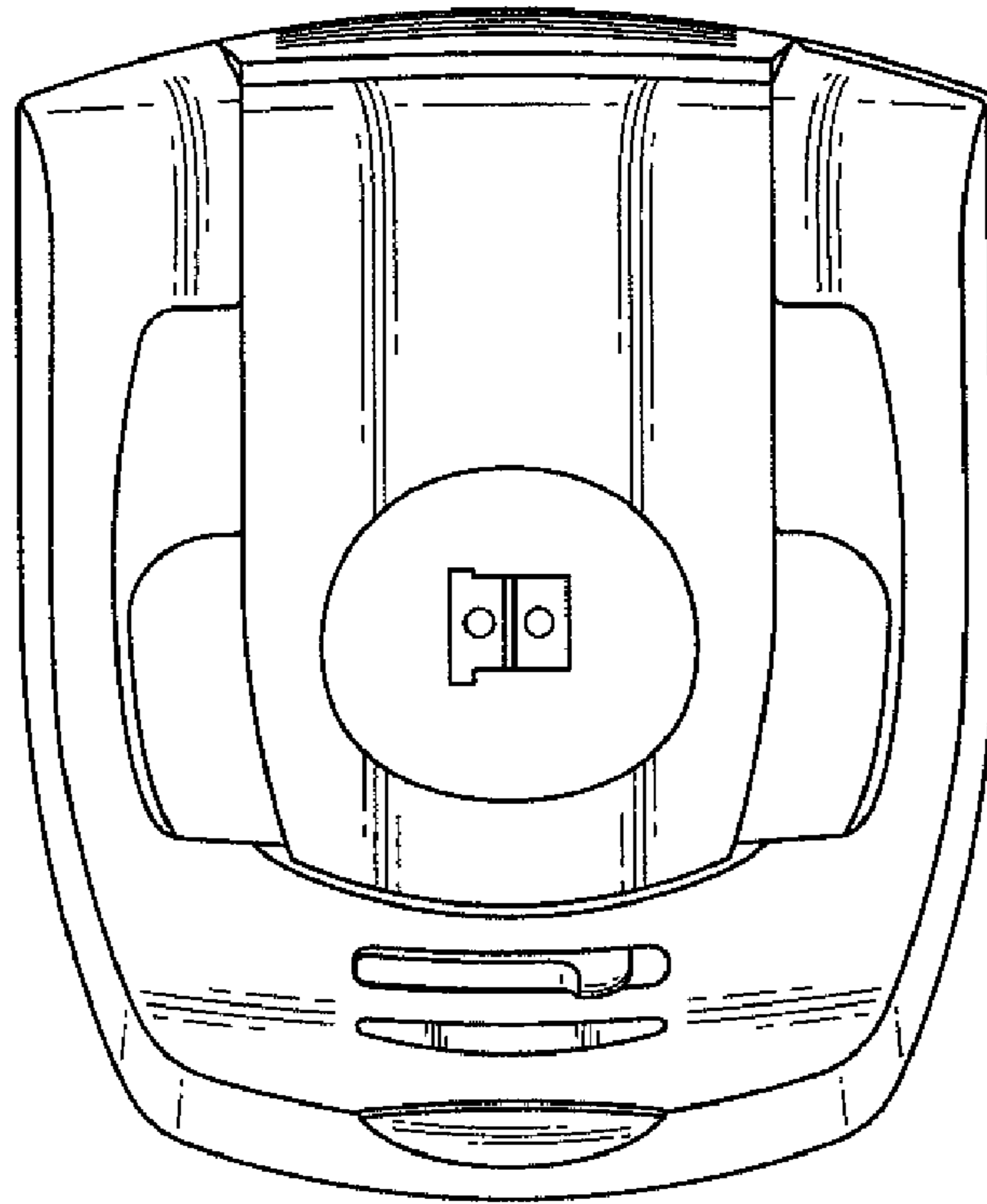


FIG. 6

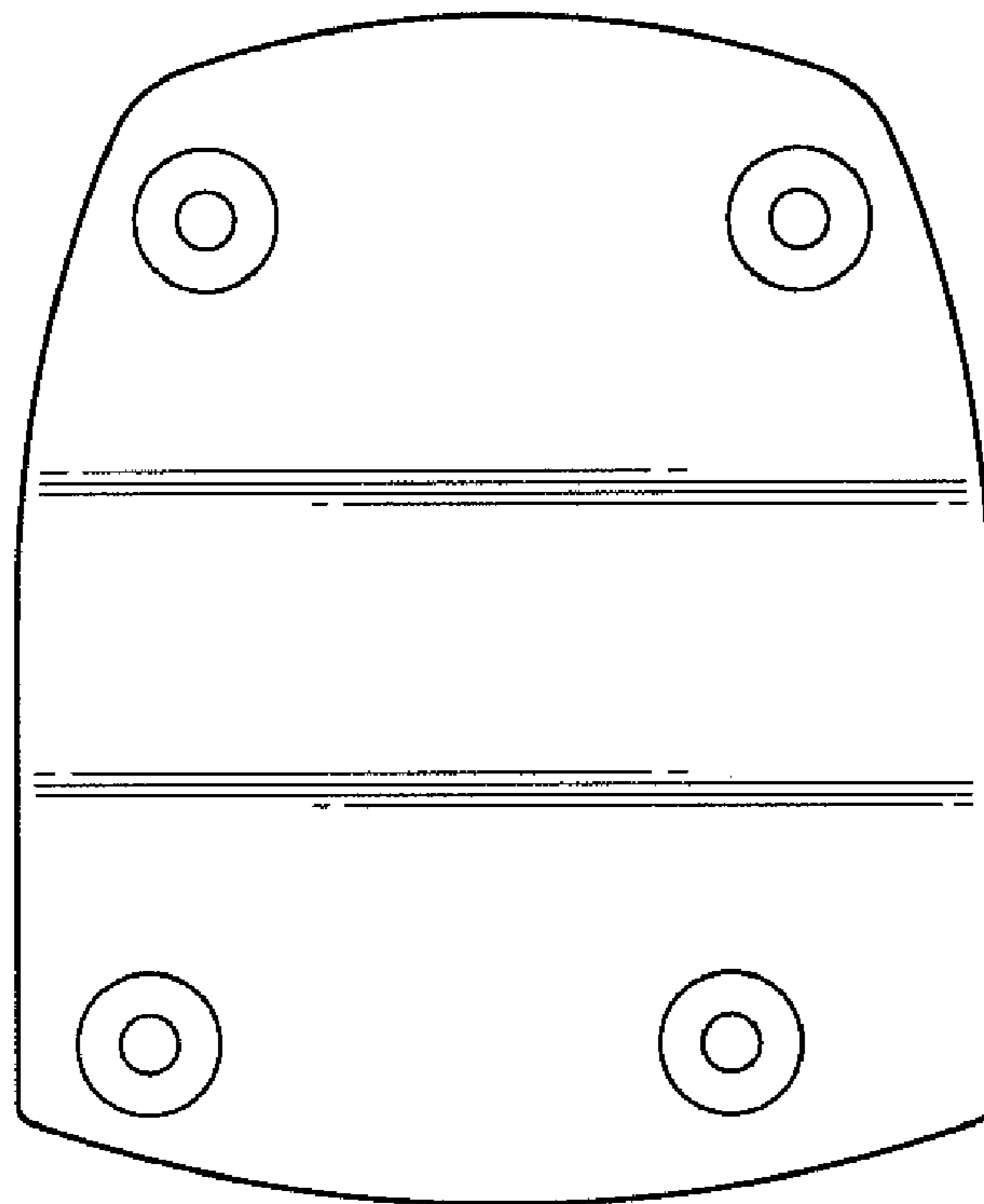


FIG. 7

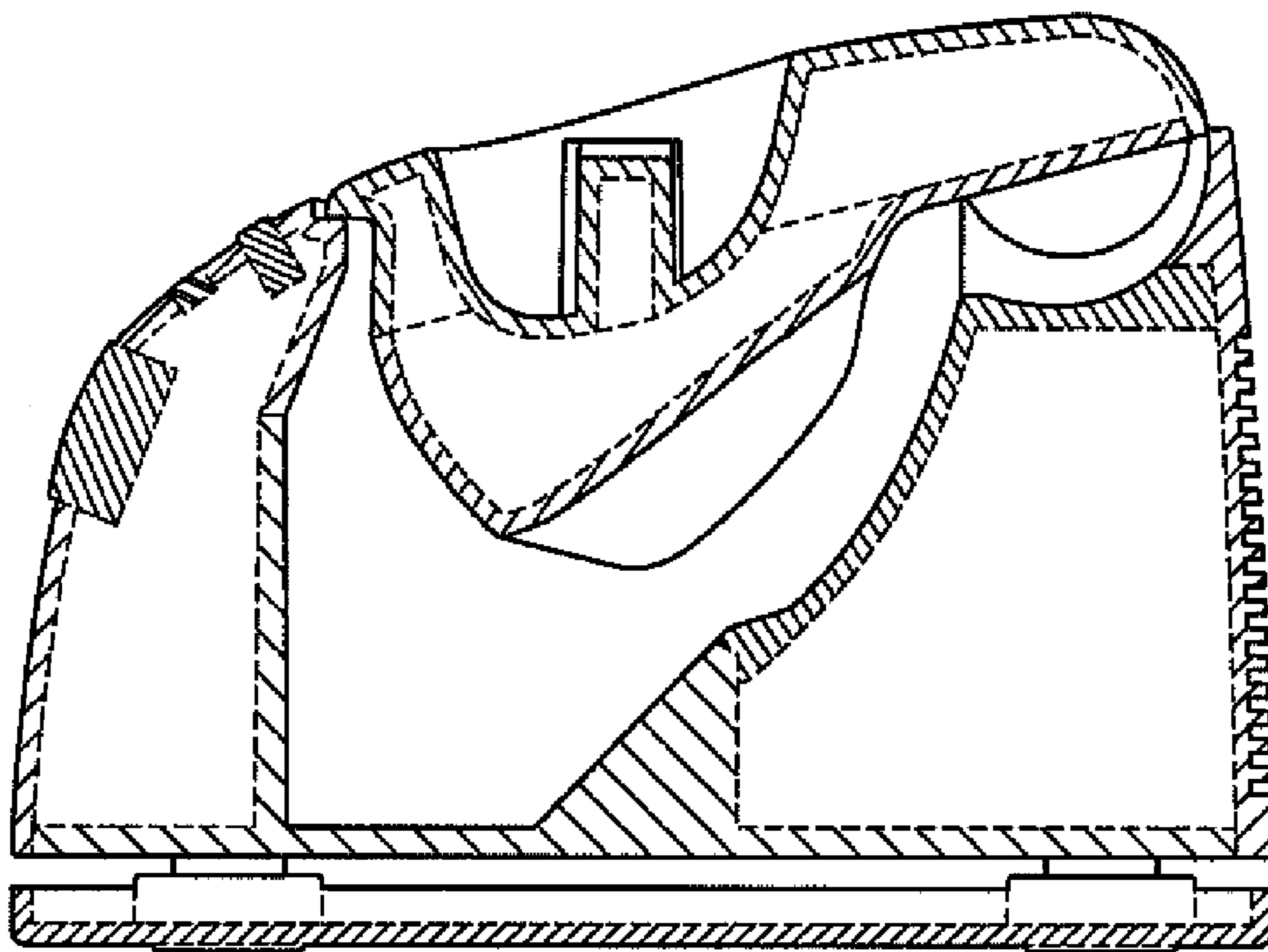


FIG. 8

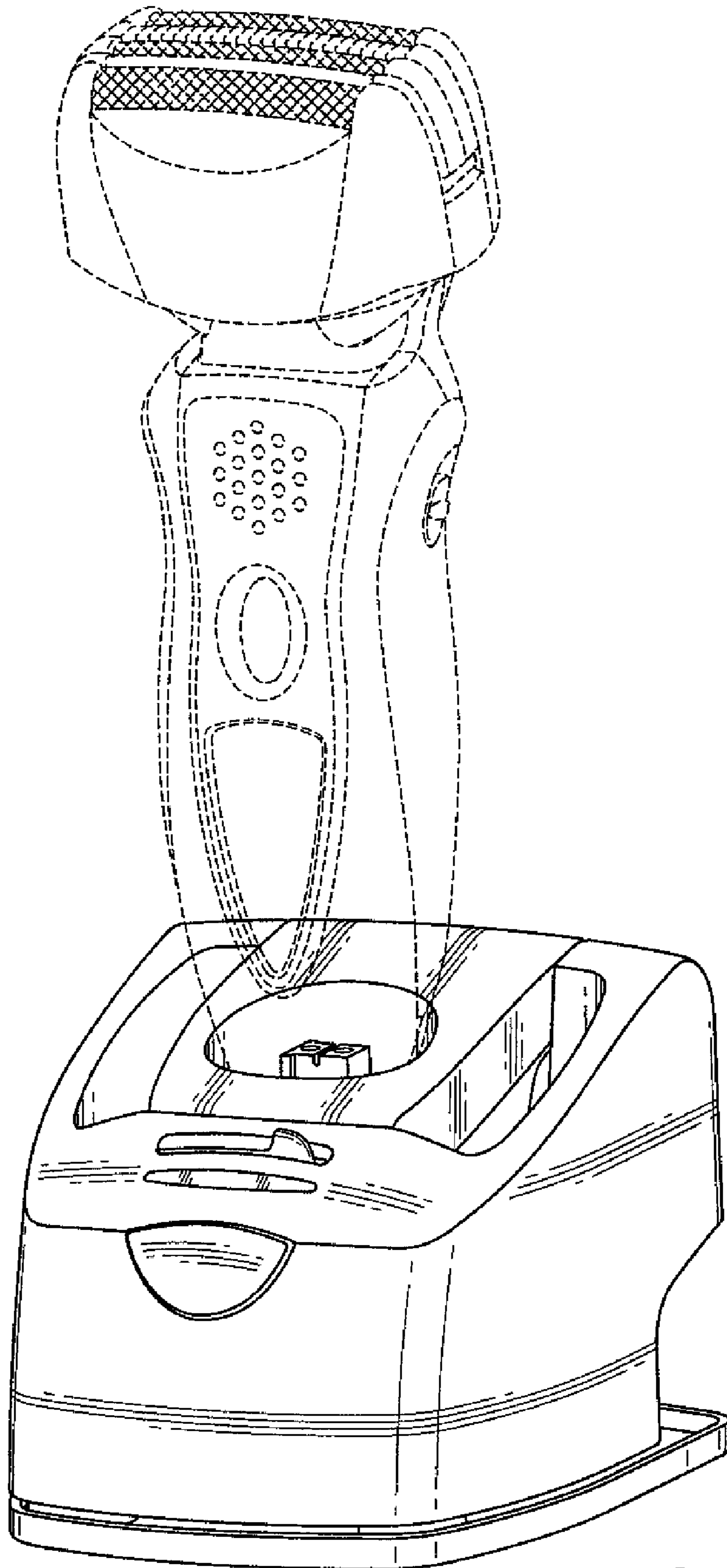


FIG. 9

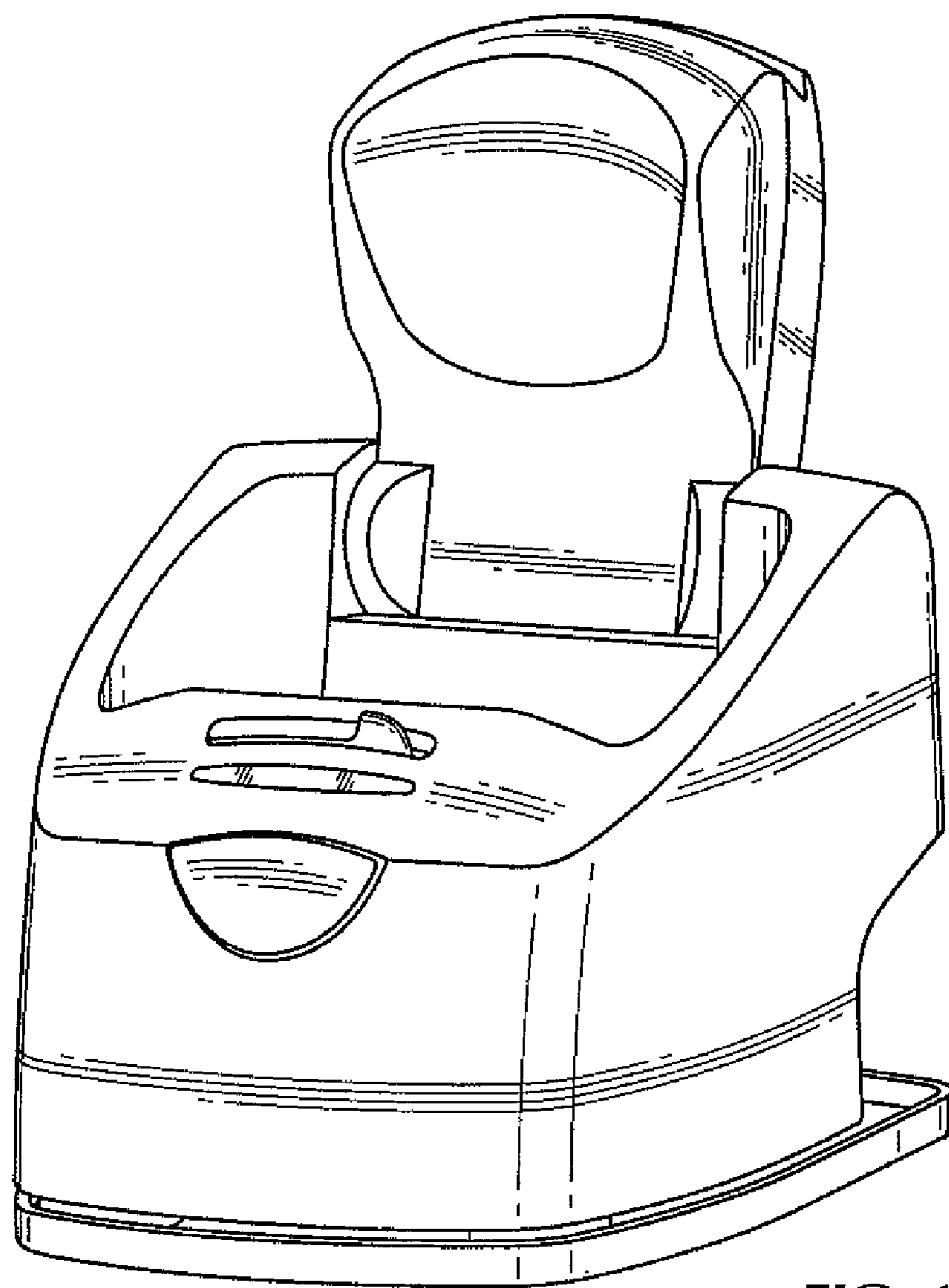


FIG. 10

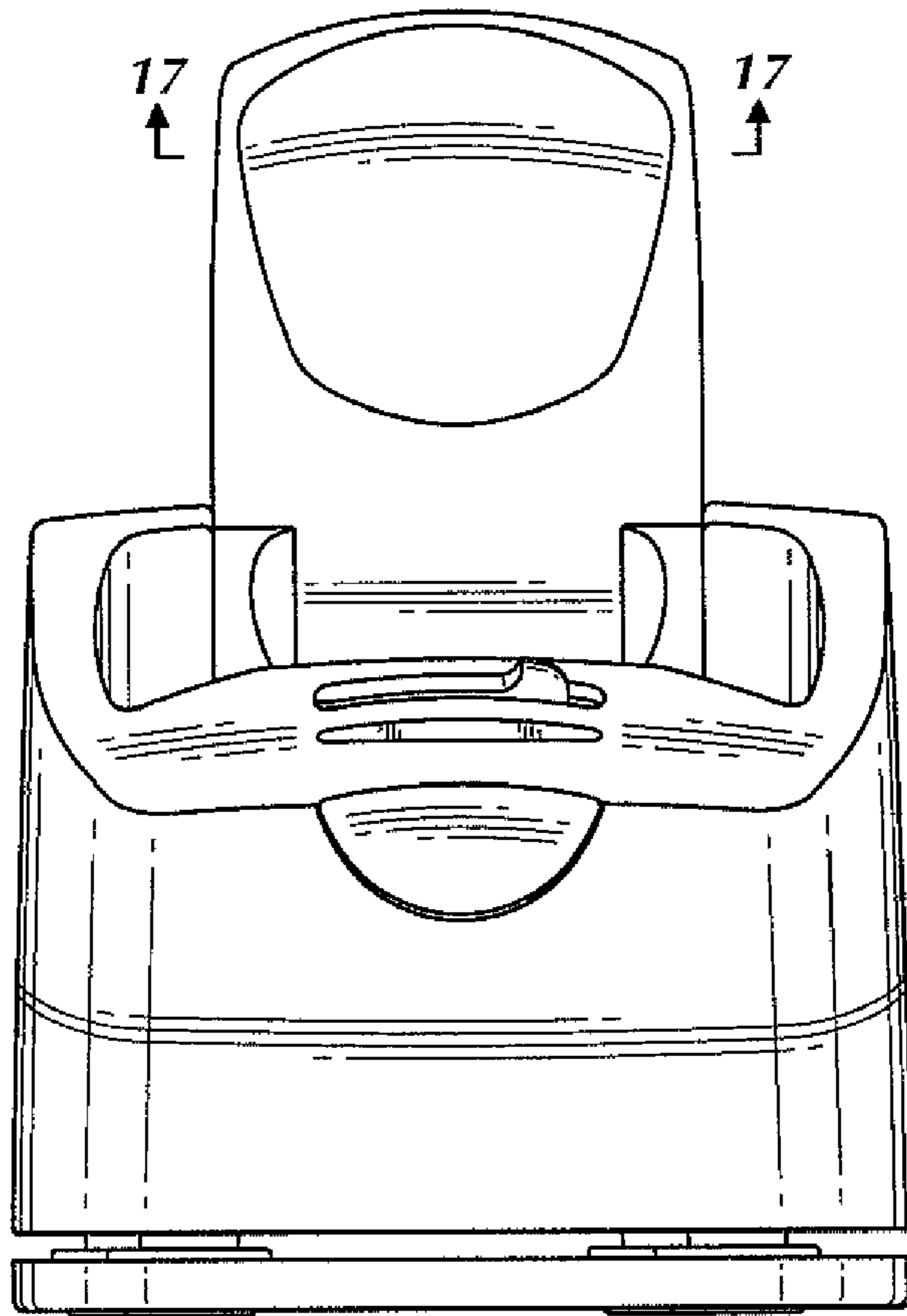


FIG. 11

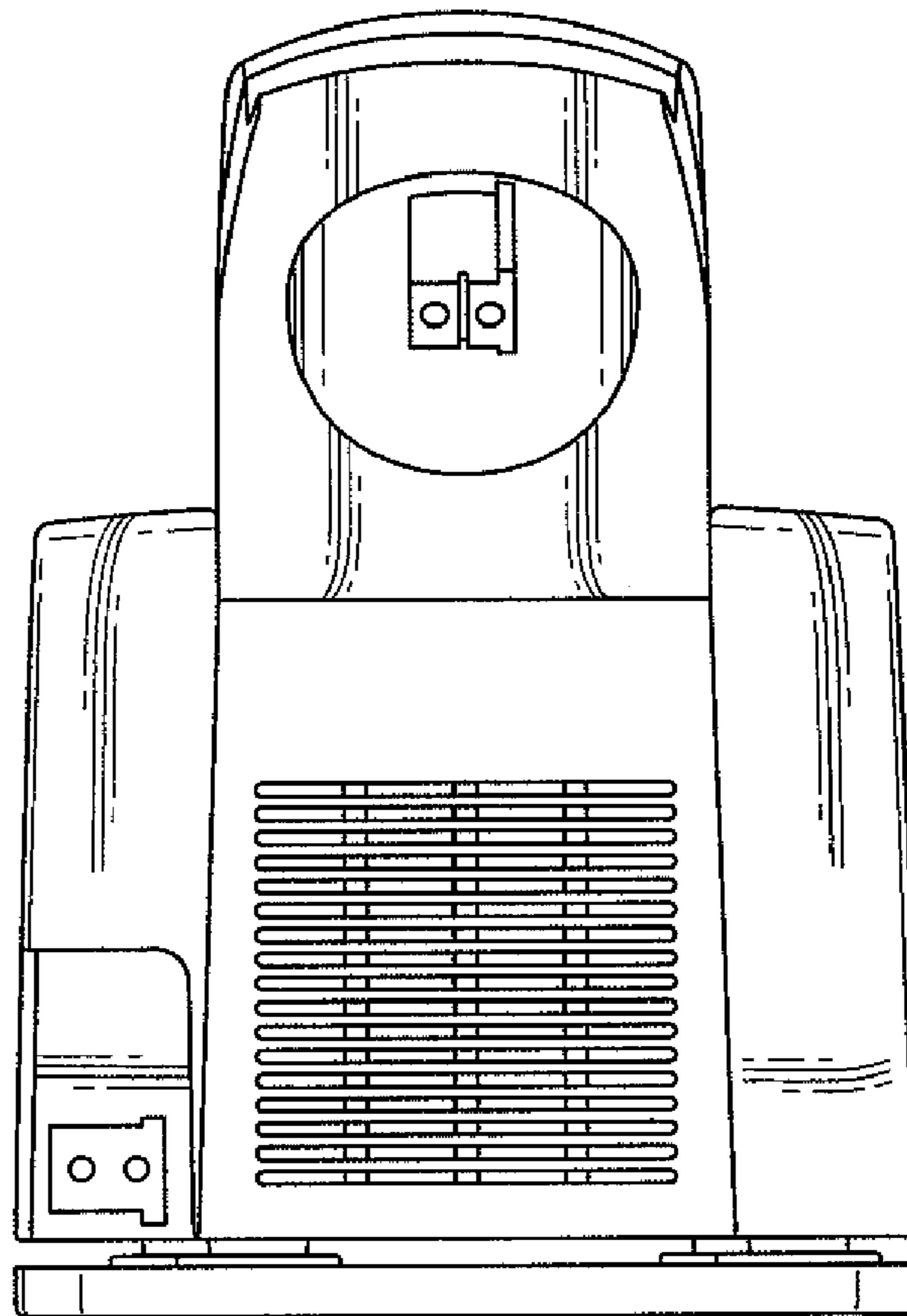


FIG. 12

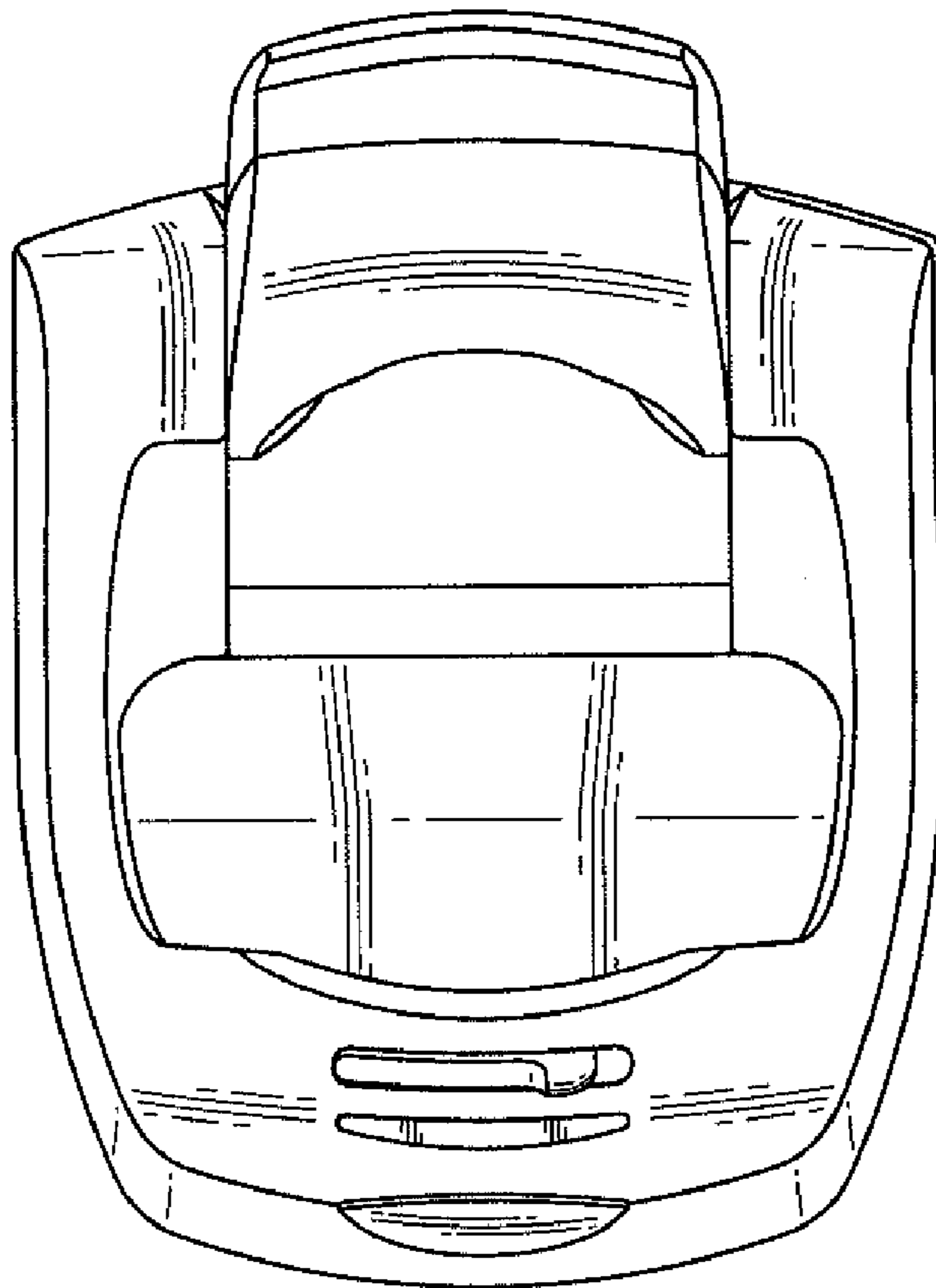


FIG. 13

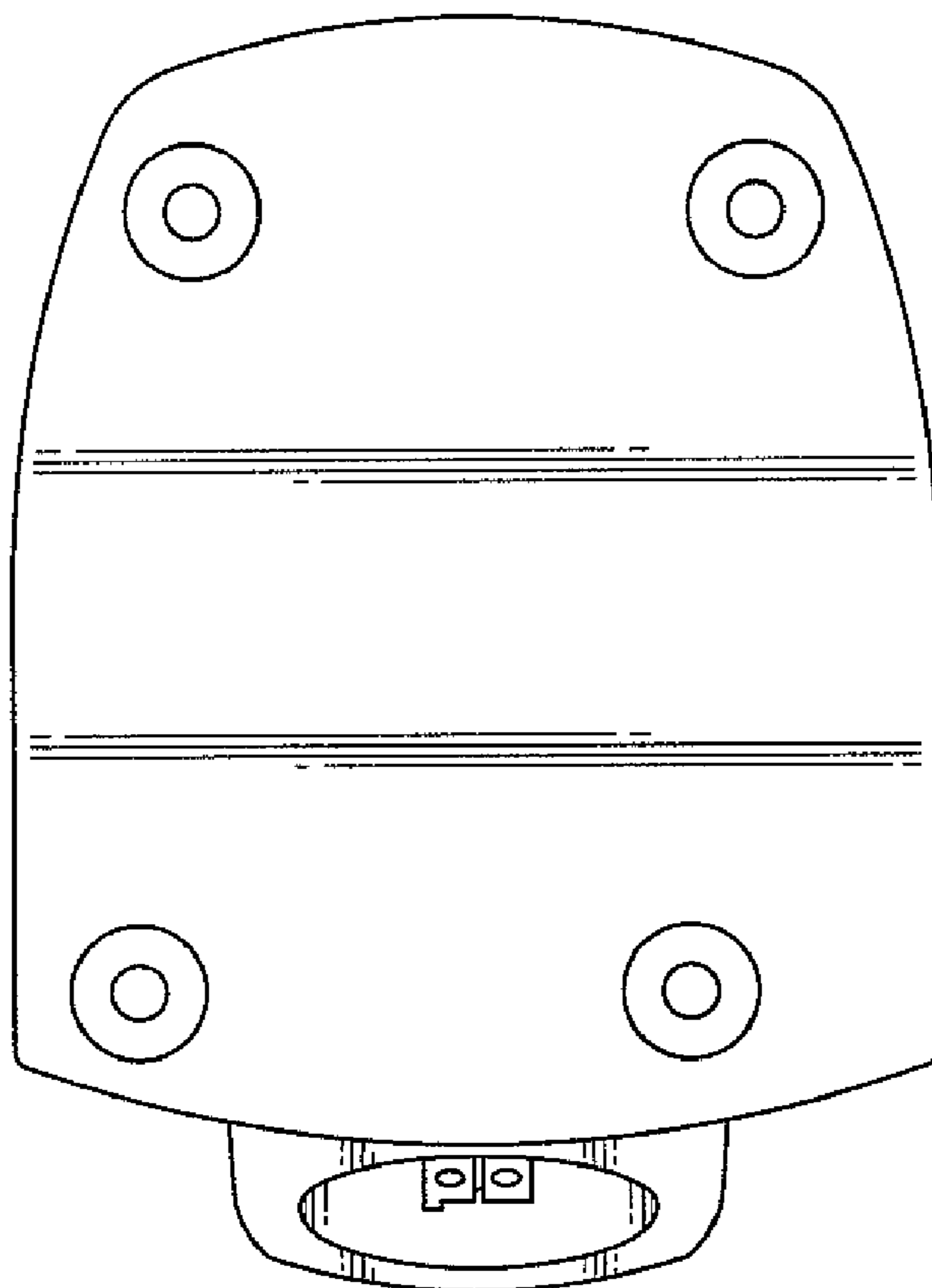


FIG. 14

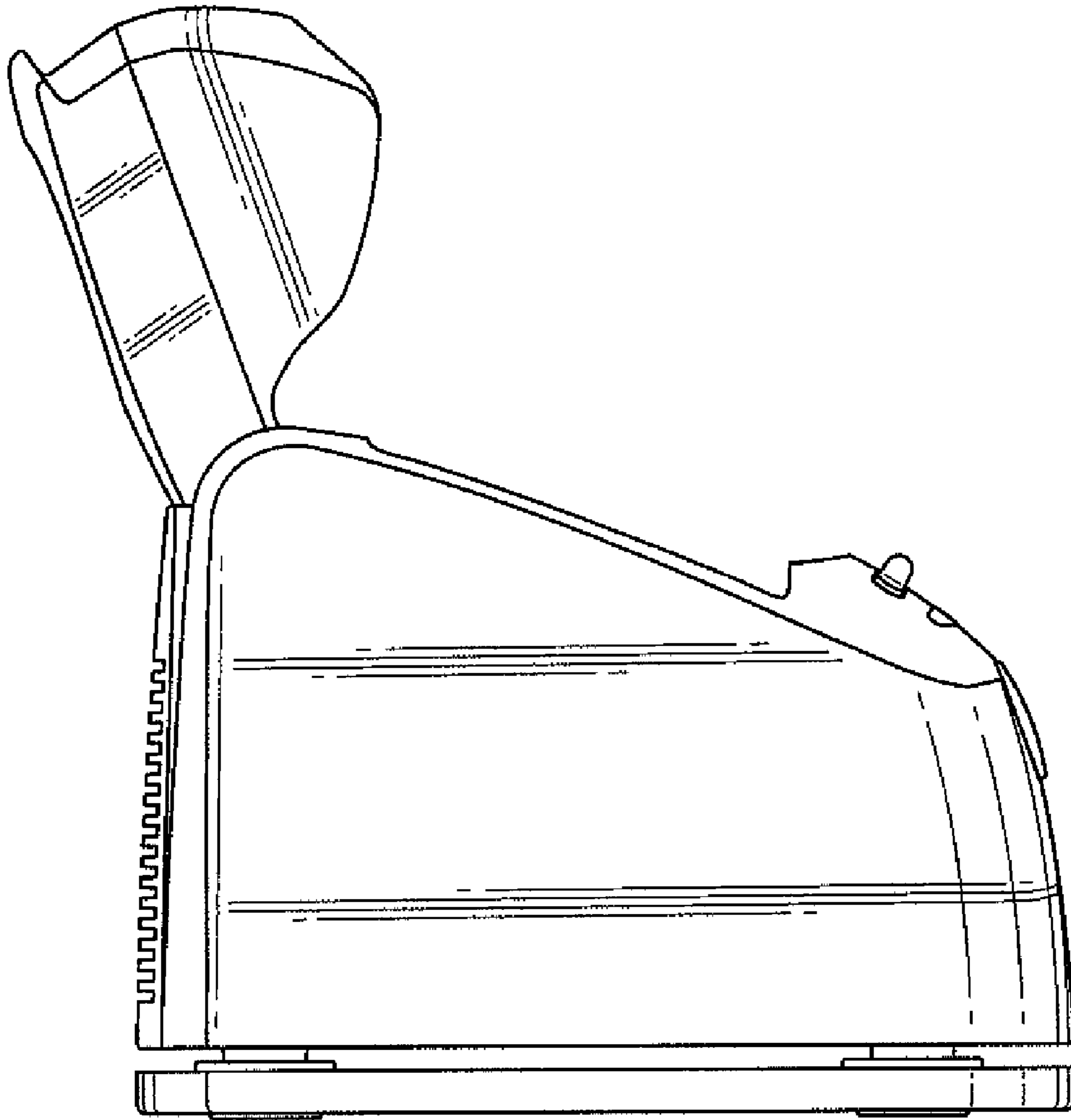


FIG. 15

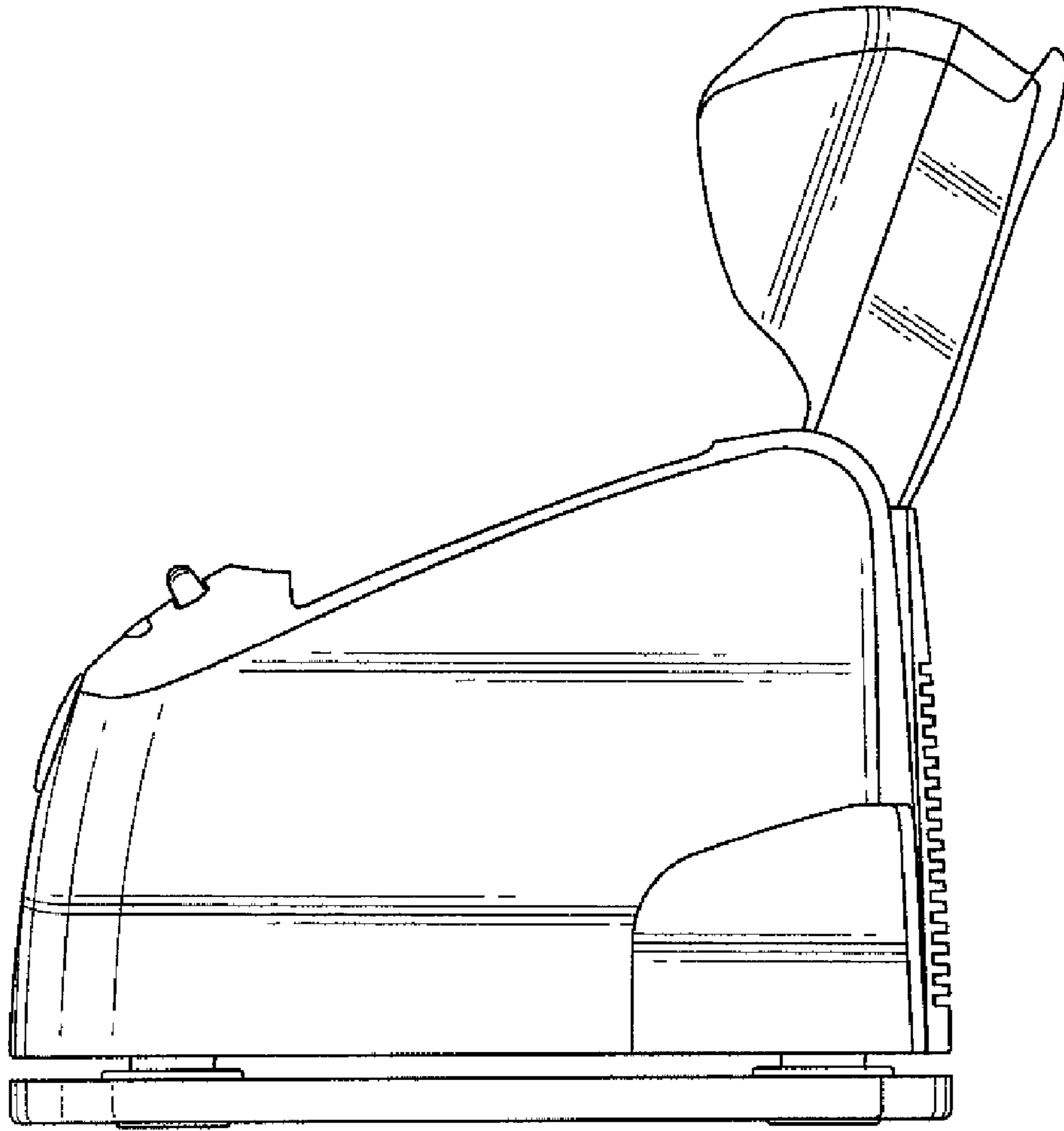


FIG. 16

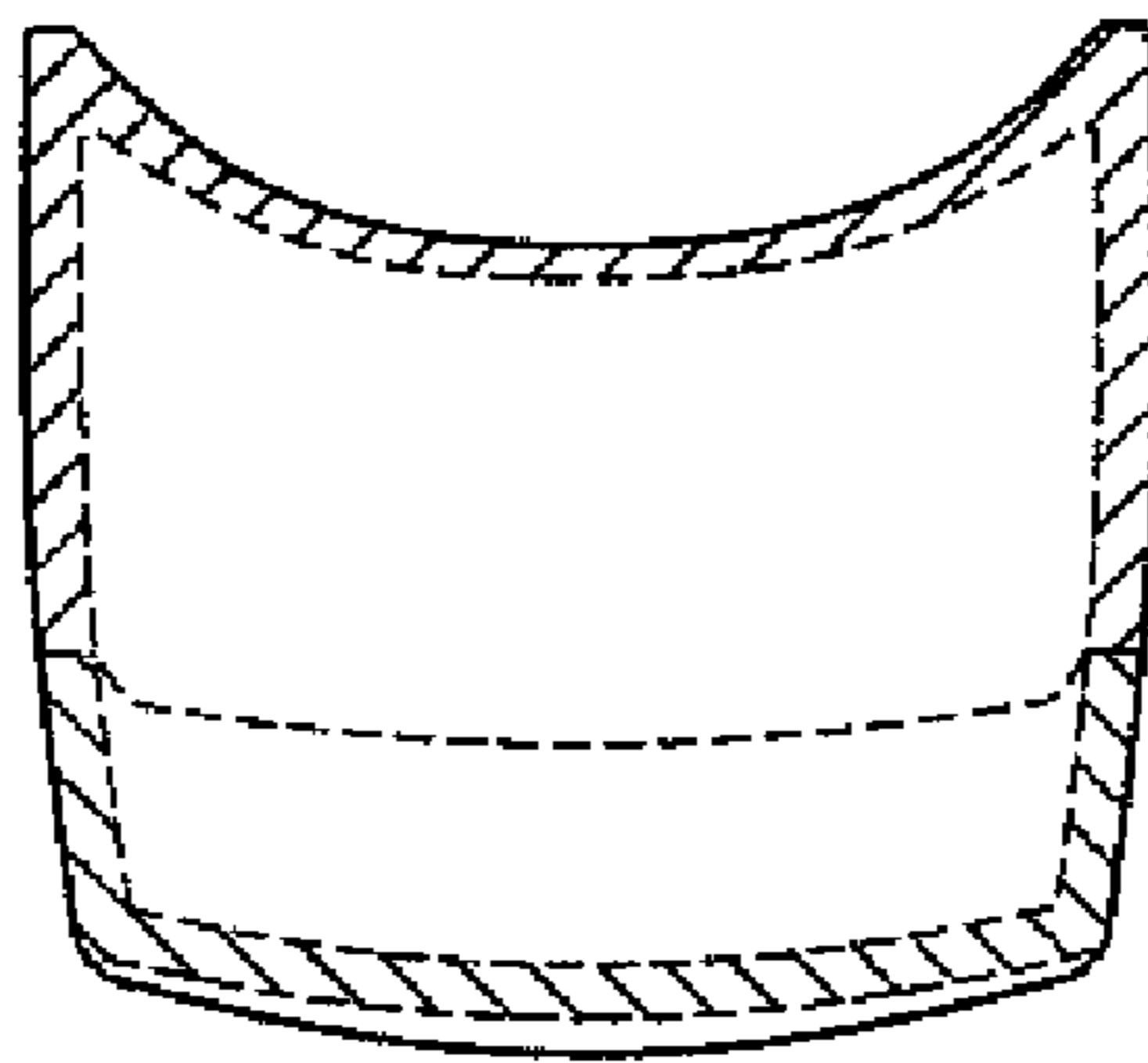


FIG. 17

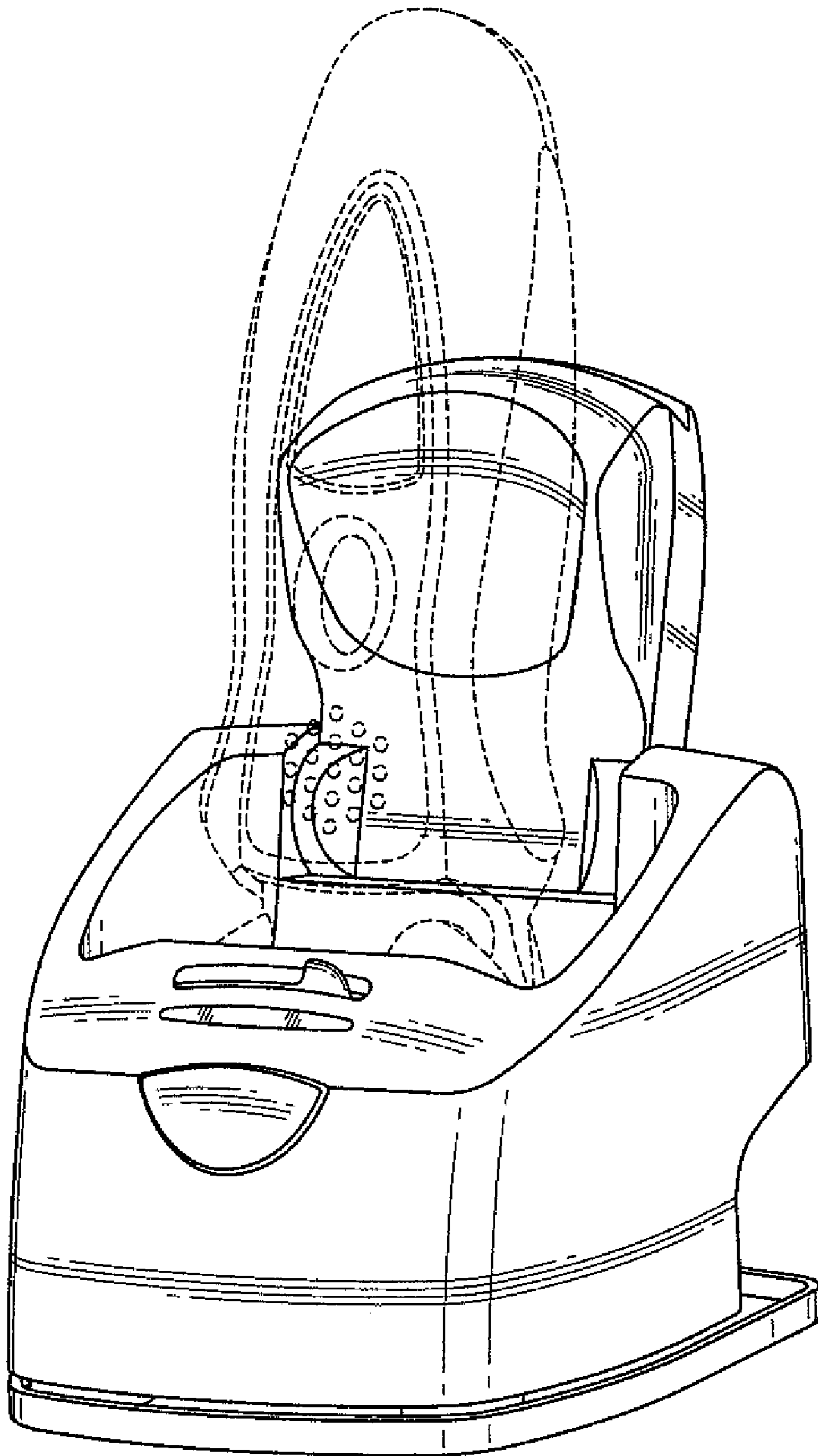


FIG. 18

UNITED STATES PATENT AND TRADEMARK OFFICE
CERTIFICATE OF CORRECTION

PATENT NO. : Des. 578,474 S
APPLICATION NO. : 29/297539
DATED : October 14, 2008
INVENTOR(S) : Tsuyoshi Nishizawa

Page 1 of 1

It is certified that error appears in the above-identified patent and that said Letters Patent is hereby corrected as shown below:

On the Cover Page:

On the Cover Page, item (57) Description, line 1, the word “left” should be **--right--**.

On the Cover Page, item (57) Description, line 6, the word “right” should be **--left--**.

On the Cover Page, item (57) Description, line 7, the word “left” should be **--right--**.

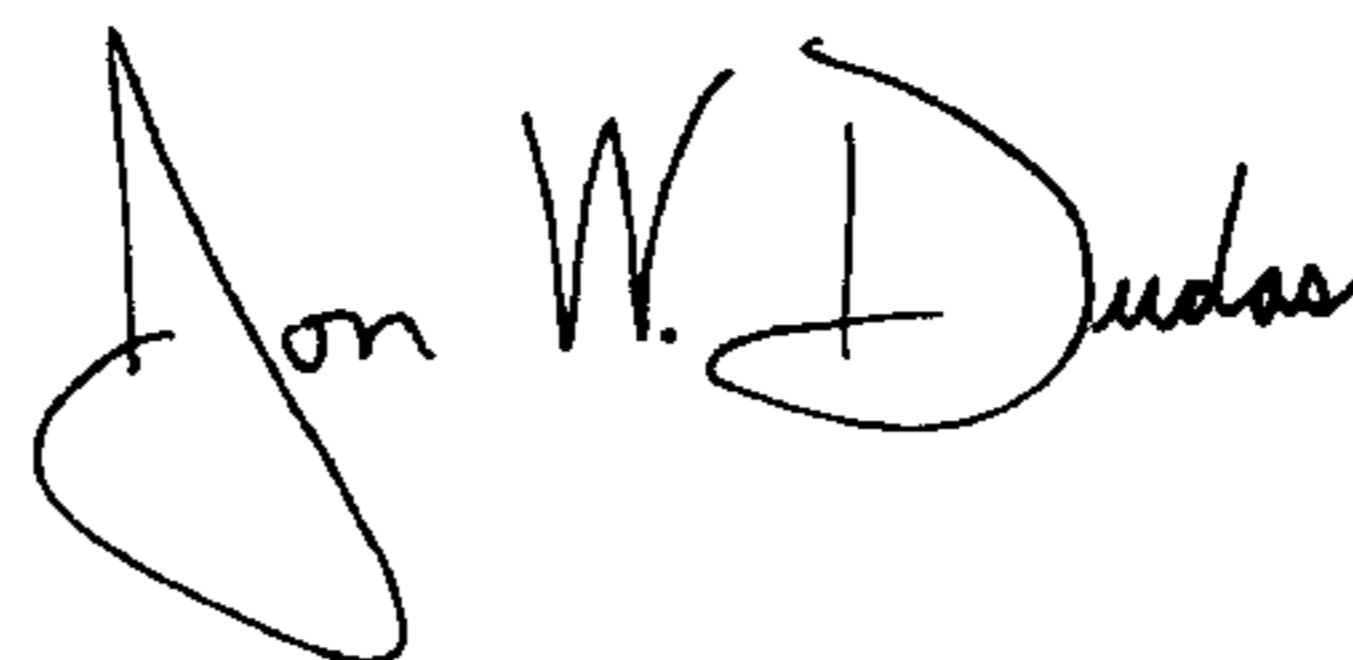
On the Cover Page, item (57) Description, line 14, the word “left” should be **--right--**.

On the Cover Page, item (57) Description, line 20, the word “right” should be **--left--**.

On the Cover Page, item (57) Description, line 21, the word “left” should be **--right--**.

Signed and Sealed this

Ninth Day of December, 2008



JON W. DUDAS
Director of the United States Patent and Trademark Office