

US00D578468S

(12) **United States Design Patent**  
**Bergh et al.**

(10) **Patent No.:** **US D578,468 S**  
(45) **Date of Patent:** **\*\* Oct. 14, 2008**

(54) **STORAGE VISOR FOR COMPACT DISCS** 2007/0039984 A1\* 2/2007 Mantis ..... 224/312

(75) Inventors: **James A. Bergh**, Boulder, CO (US);  
**Paul Fair**, Denver, CO (US); **Mark E. Phillips**, Thornton, CO (US)

(73) Assignee: **Thule Organization Solutions, Inc.**,  
Longmont, CO (US)

(\*\*) Term: **14 Years**

(21) Appl. No.: **29/231,764**

(22) Filed: **Jun. 8, 2005**

(51) **LOC (8) Cl.** ..... **12-16**

(52) **U.S. Cl.** ..... **D12/417**

(58) **Field of Classification Search** ..... D6/407-635;  
D12/417, 191, 415; D3/215, 226, 247-249,  
D3/252-253; 206/209, 311, 312, 313, 751,  
206/310; 211/40, 41.1, 41.12, 126.1  
See application file for complete search history.

(56) **References Cited**

**U.S. PATENT DOCUMENTS**

1,303,299	A *	5/1919	Hahl	.....	211/40
2,711,344	A *	6/1955	Larson	.....	296/153
5,329,947	A	7/1994	Shikler		
D381,947	S	8/1997	Bergh et al.		
5,762,246	A	6/1998	Drew		
D415,731	S	10/1999	Bergh		
D432,490	S	10/2000	Golenz		
D446,765	S	8/2001	Bergh et al.		
D453,728	S	2/2002	Hassett		
D472,512	S *	4/2003	Palmer	.....	D12/417
D474,732	S	5/2003	Hillman		
D483,597	S	12/2003	Hassett		
D487,050	S	2/2004	Hassett		
D487,093	S	2/2004	Hassett		
D497,342	S *	10/2004	Alves et al.	.....	D12/417
D505,107	S	5/2005	Bergh et al.		
D536,647	S *	2/2007	Eskandry	.....	D12/183
2005/0161481	A1 *	7/2005	Rumberger et al.	.....	224/311

**OTHER PUBLICATIONS**

U.S. Appl. No. 29/231,781, filed Jun. 8, 2005, Fair.  
Case Logic 2003 Catalog, pp. 26 & 27.

\* cited by examiner

*Primary Examiner*—Robert M. Spear  
*Assistant Examiner*—Katrina A Kile  
(74) *Attorney, Agent, or Firm*—Sheridan Ross P.C.

(57) **CLAIM**

The ornamental design for a storage visor for compact discs, as shown and described.

**DESCRIPTION**

FIG. 1 is a front perspective view of a storage visor for compact discs showing my new design, the dashed lines representing stitching and forming no part of the claimed design;

FIG. 2 is a top plan view of the invention illustrated in FIG. 1; FIG. 3 is a left elevation view of the invention shown in FIG. 1;

FIG. 4 is a right elevation view of the invention illustrated in FIG. 1;

FIG. 5 is a front elevation view of the invention illustrated in FIG. 1;

FIG. 6 is a bottom plan view of the invention illustrated in FIG. 1;

FIG. 7 is a top plan view of the invention illustrated in FIG. 1, shown in an open position;

FIG. 8 is a left elevation of the invention illustrated in FIG. 7;

FIG. 9 is a right elevation view of the invention illustrated in FIG. 7;

FIG. 10 is a front elevation view of the invention illustrated in FIG. 7;

FIG. 11 is a top plan view of the invention illustrated in FIG. 7;

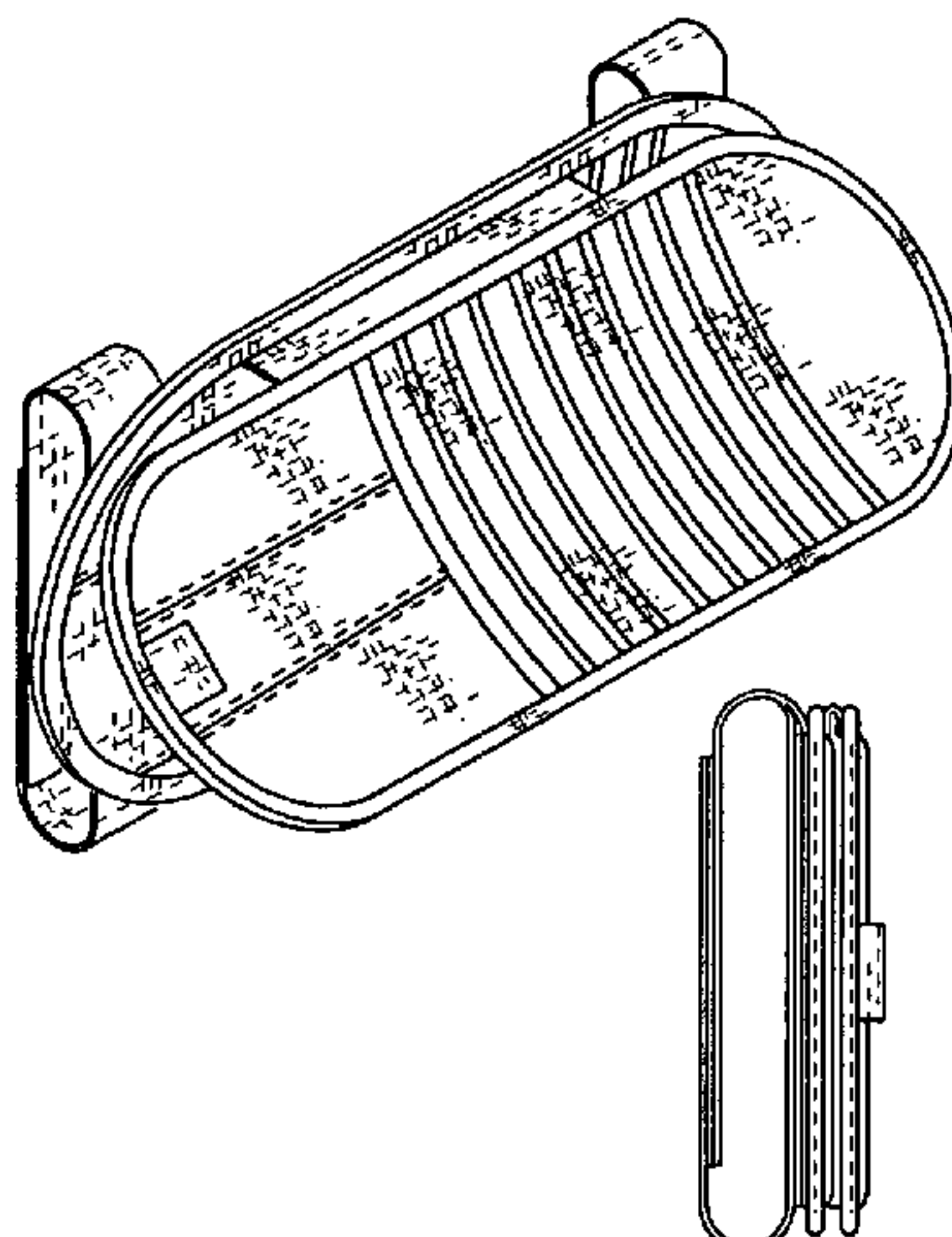


FIG. 12 is a rear elevation view of the invention illustrated in FIG. 7;

FIG. 13 is a front perspective view of an alternative embodiment of the present invention;

FIG. 14 is a top plan view of the invention illustrated in FIG. 13;

FIG. 15 is a left elevation view of the invention illustrated in FIG. 13;

FIG. 16 is a right elevation view of the invention illustrated in FIG. 13;

FIG. 17 is a front elevation view of the invention illustrated in FIG. 13;

FIG. 18 is a bottom plan view of the invention illustrated in FIG. 13;

FIG. 19 is a top plan view of the invention illustrated in FIG. 13, shown in an open position;

FIG. 20 is a left elevation view of the invention illustrated in FIG. 19;

FIG. 21 is a front elevation view of the invention illustrated in FIG. 19;

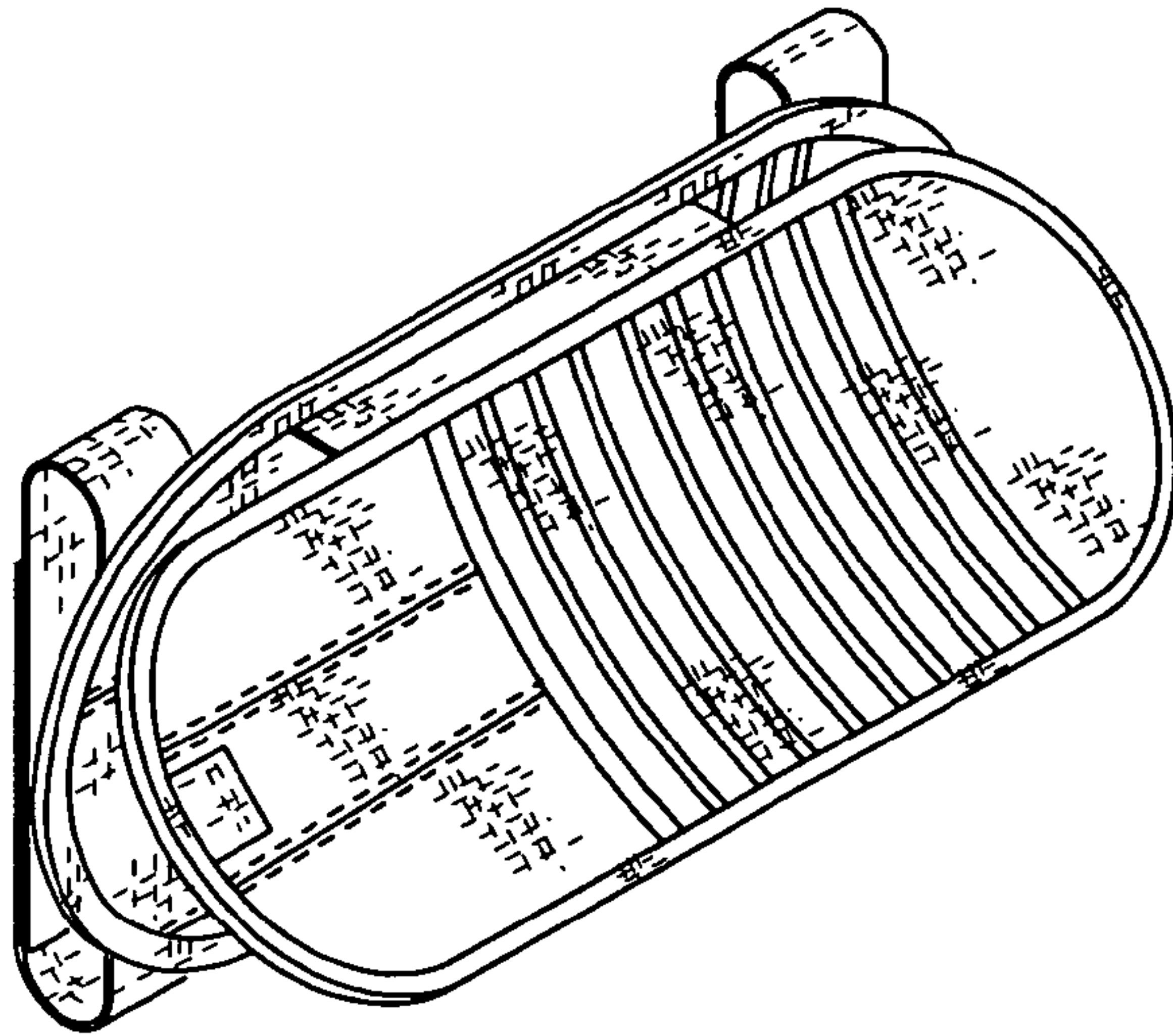
FIG. 22 is a right elevation view of the invention illustrated in FIG. 19;

FIG. 23 is a bottom plan view of the invention illustrated in FIG. 19; and,

FIG. 24 is a rear elevation view of the invention illustrated in FIG. 19.

**1 Claim, 4 Drawing Sheets**

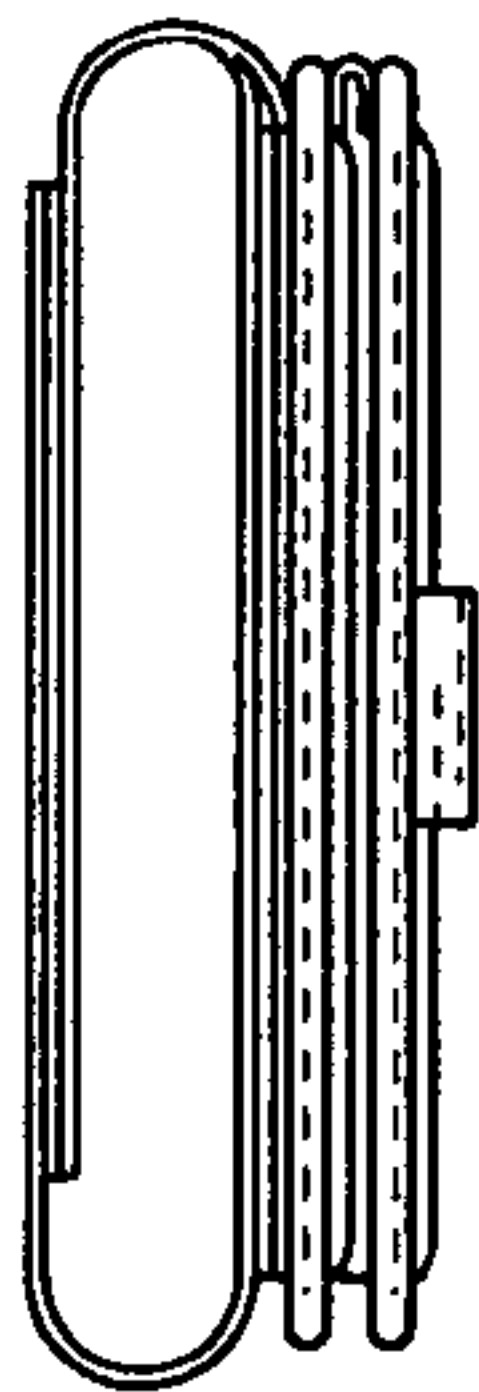
**Fig. 1**



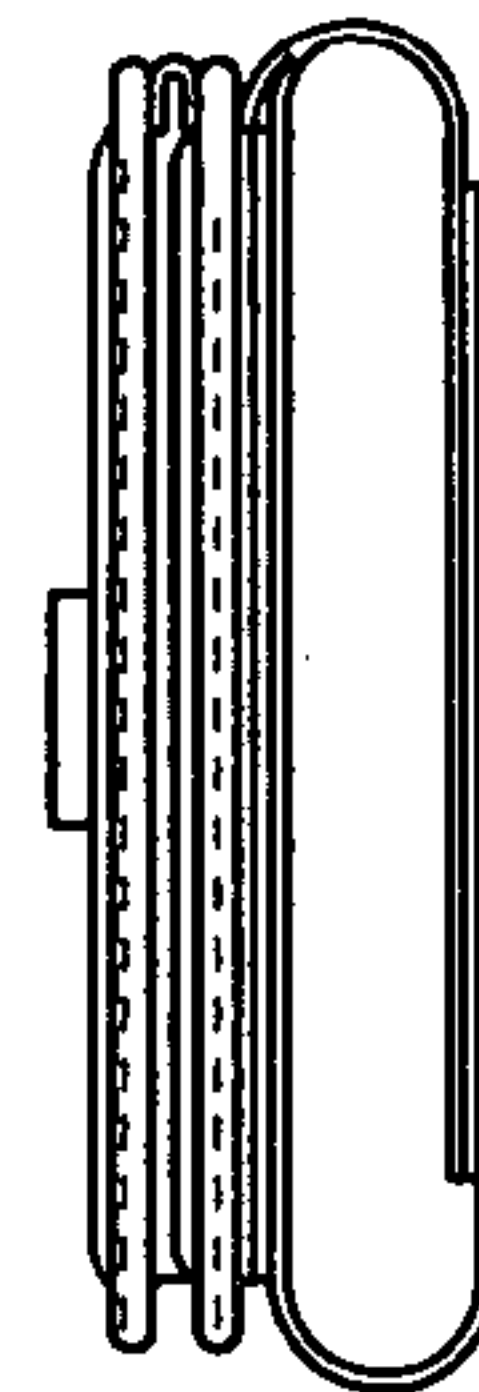
**Fig. 2**



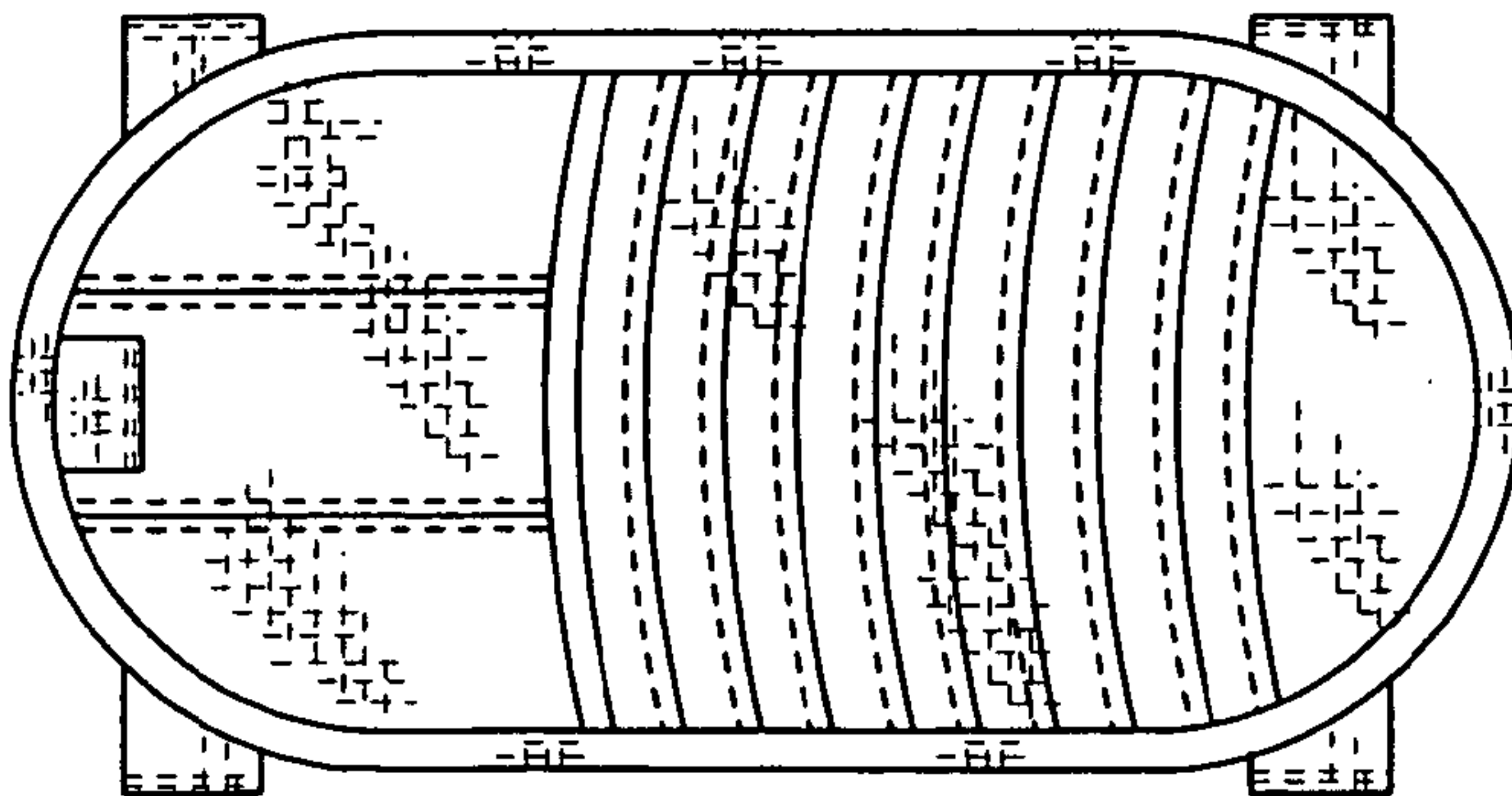
**Fig. 3**



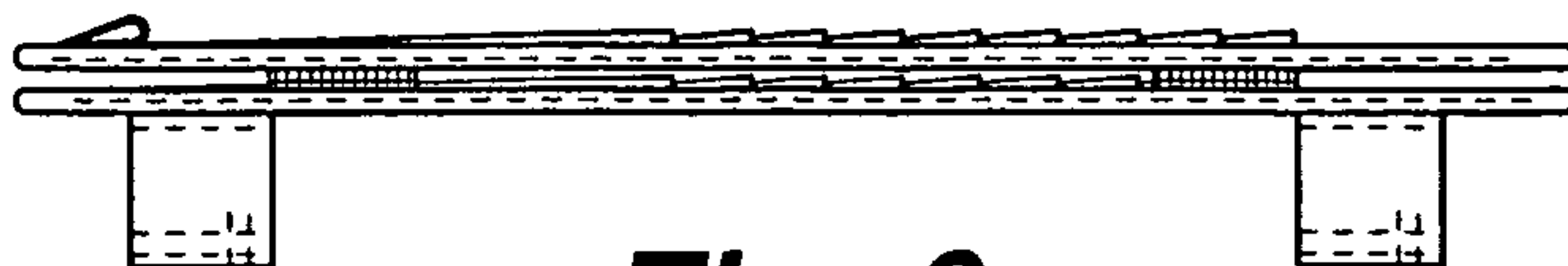
**Fig. 4**



**Fig. 5**

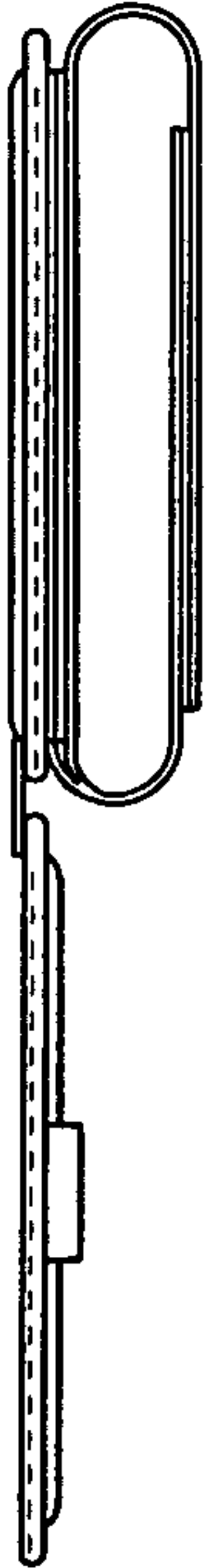


**Fig. 6**





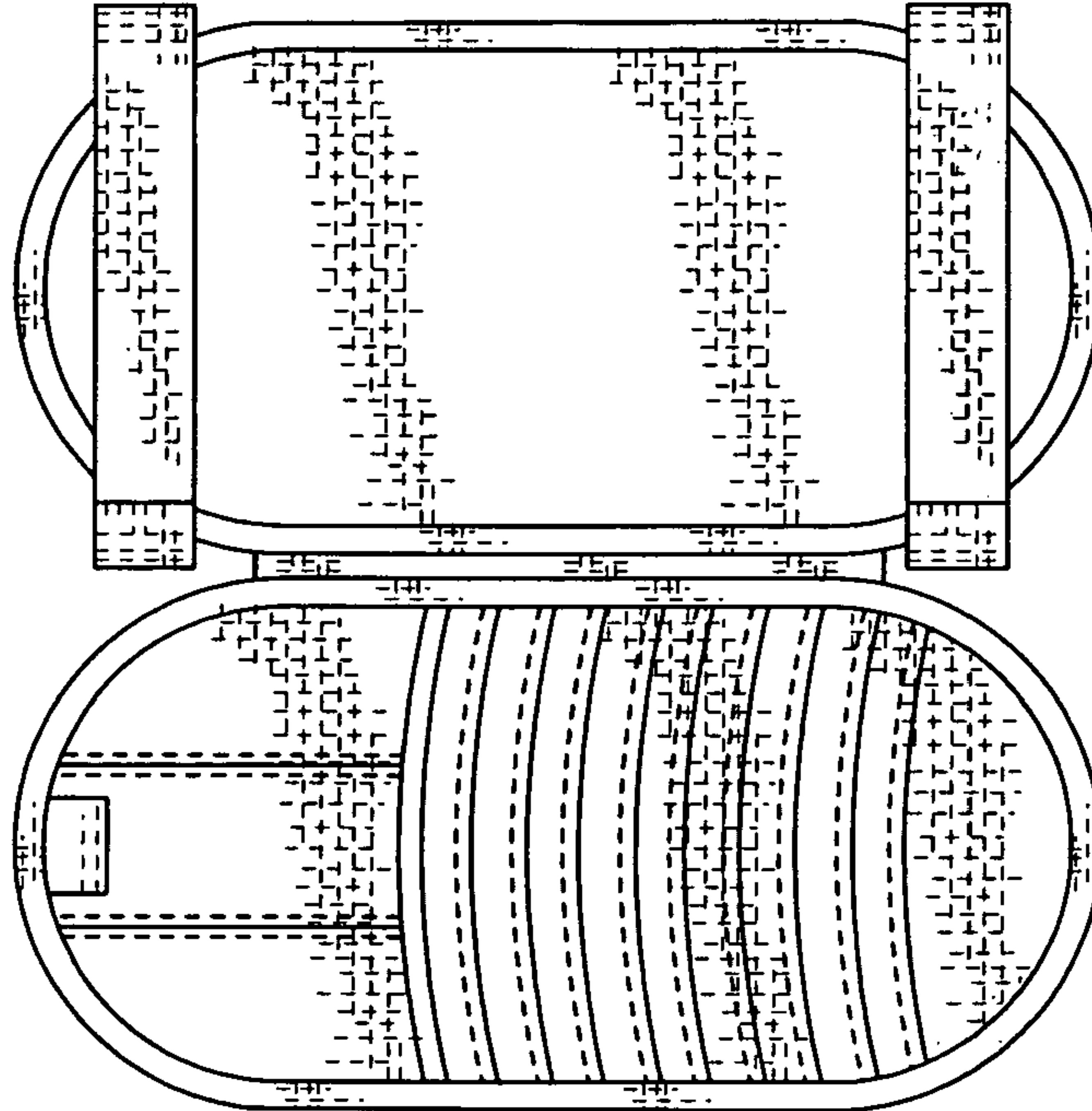
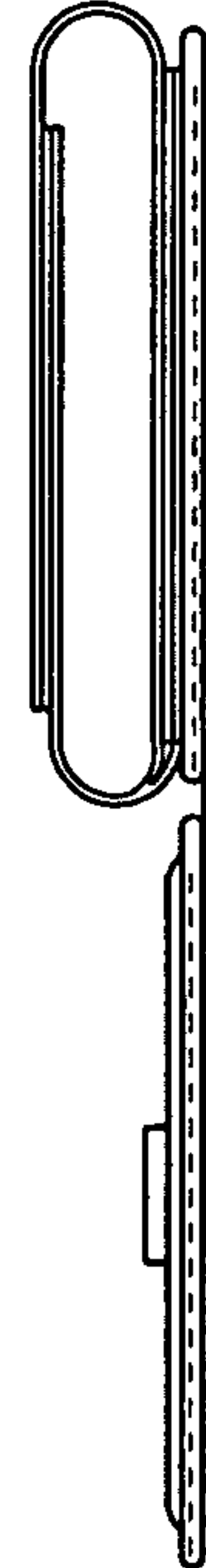
**Fig. 8**



**Fig. 7**



**Fig. 9**

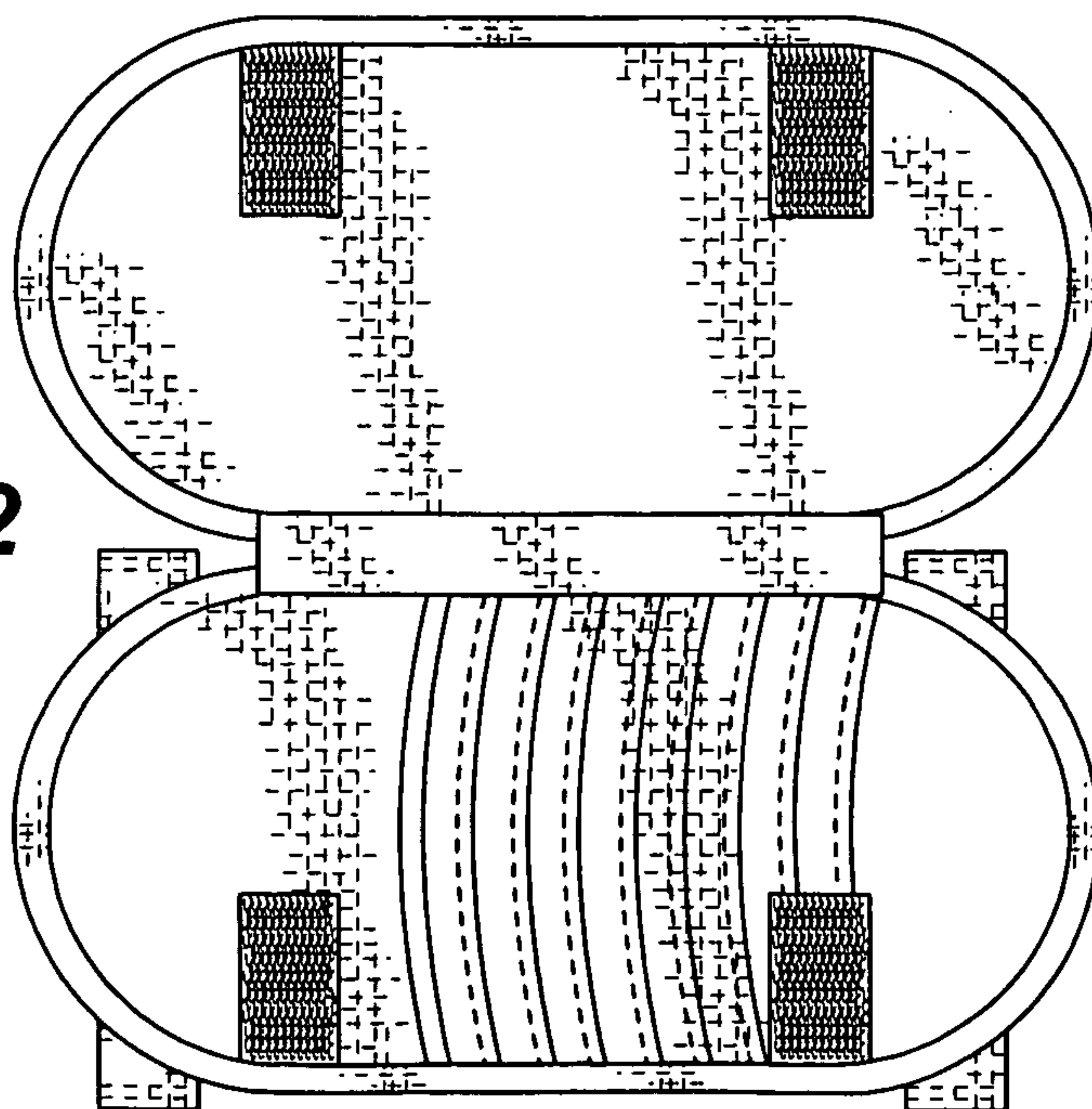


**Fig. 10**

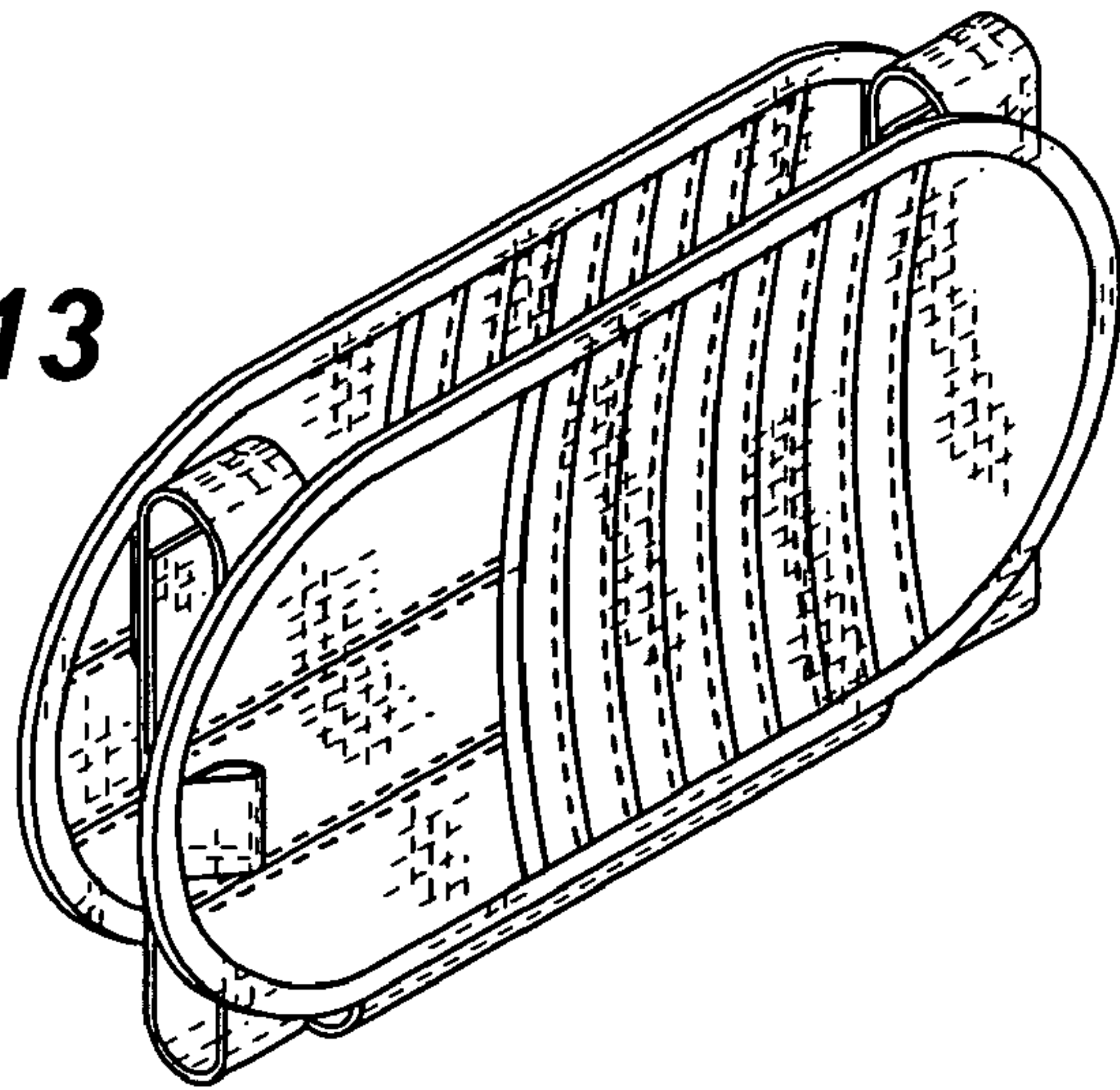
**Fig. 11**



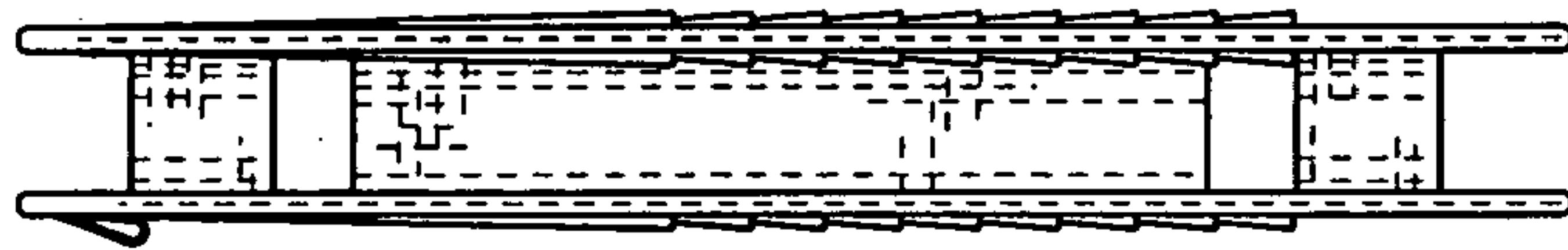
**Fig. 12**



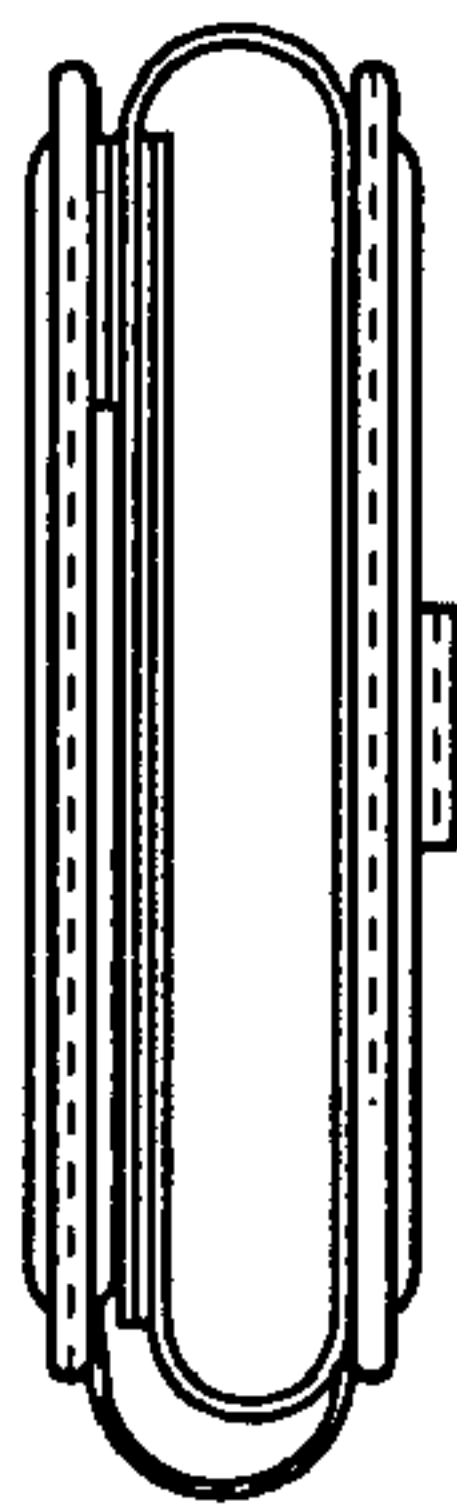
**Fig. 13**



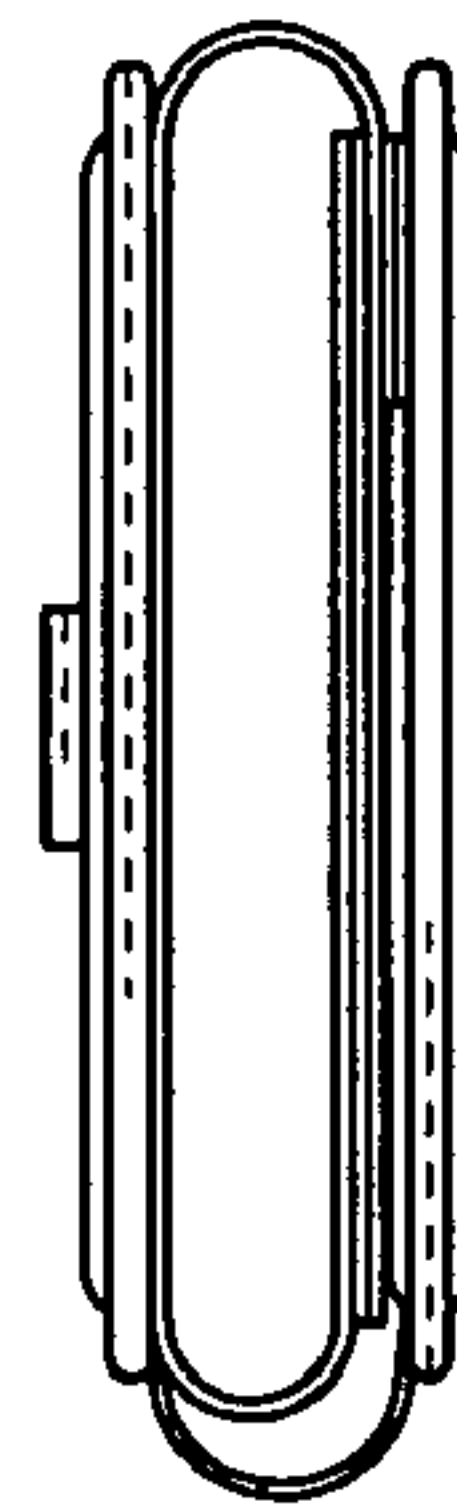
**Fig. 14**



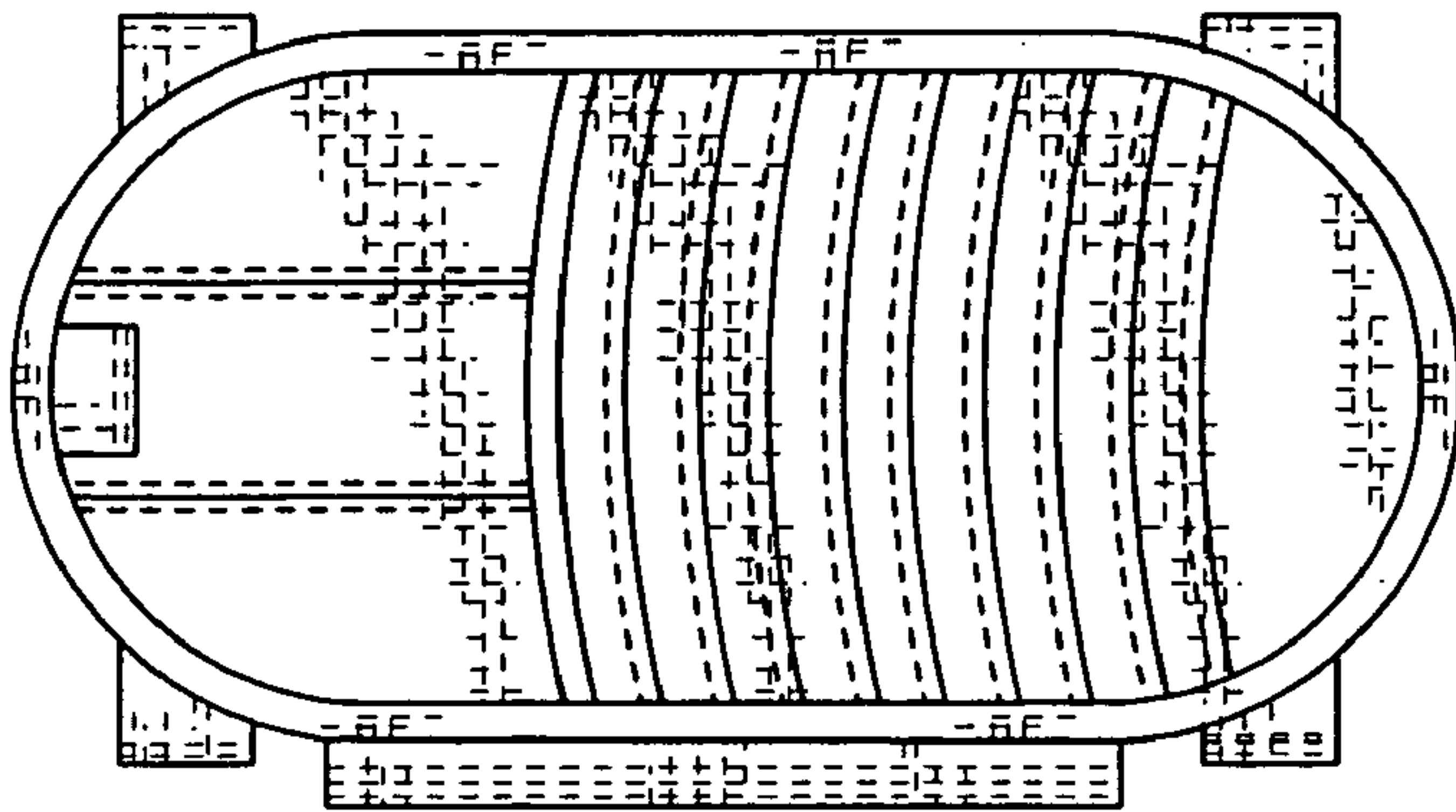
**Fig. 15**



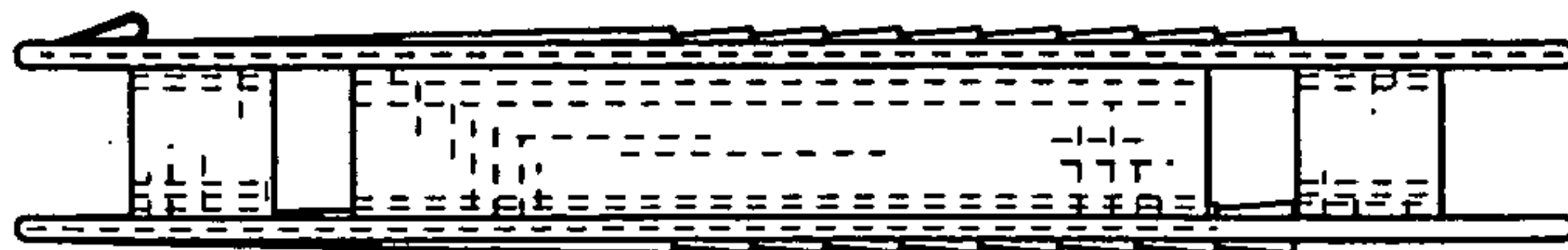
**Fig. 16**



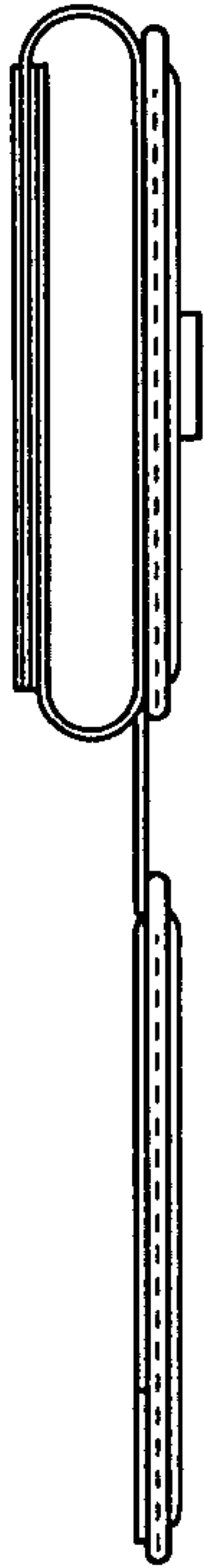
**Fig. 17**



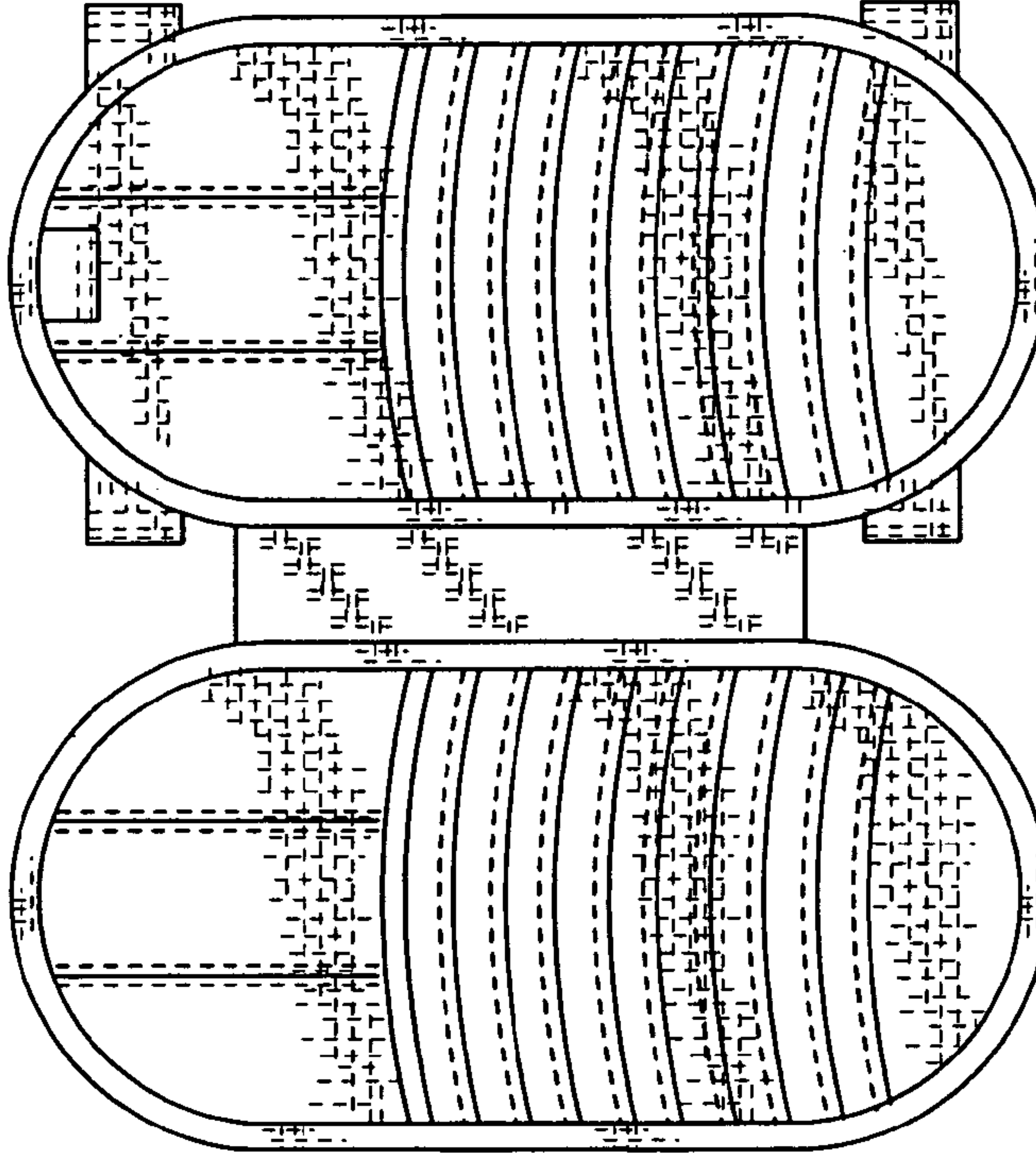
**Fig. 18**



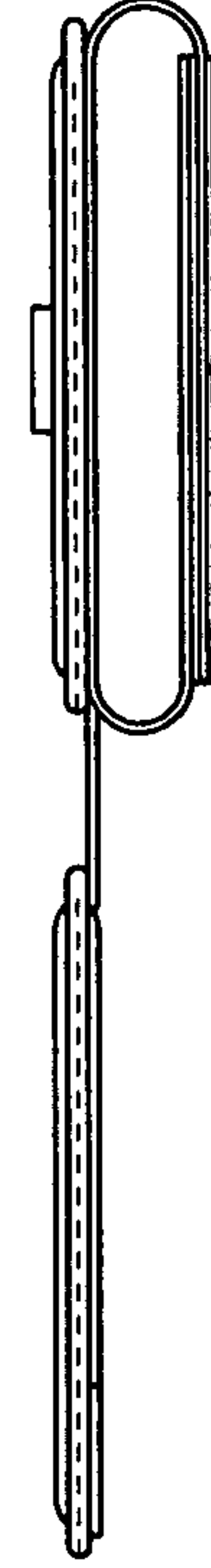
**Fig. 19**



**Fig. 20**



**Fig. 21**



**Fig. 22**



**Fig. 23**

**Fig. 24**

