



US00D578467S

(12) **United States Design Patent**
Ohanyan

(10) **Patent No.:** **US D578,467 S**

(45) **Date of Patent:** **** Oct. 14, 2008**

(54) **UNIVERSAL DESIGN RACK**

(76) Inventor: **Ashot Ohanyan**, 1248 Mariposa St.,
#205, Glendale, CA (US) 91205

(**) Term: **14 Years**

(21) Appl. No.: **29/273,787**

(22) Filed: **Apr. 30, 2007**

(51) **LOC (8) Cl.** **12-16**

(52) **U.S. Cl.** **D12/414**

(58) **Field of Classification Search** D12/406,
D12/414.1, 412, 414; 263/3; 224/405, 403,
224/331

See application file for complete search history.

(56) **References Cited**

U.S. PATENT DOCUMENTS

| | | | | | |
|--------------|------|---------|---------------|-------|---------|
| 4,509,787 | A * | 4/1985 | Knaack et al. | | 296/3 |
| 5,192,107 | A * | 3/1993 | Smith, Sr. | | 293/3 |
| 5,806,905 | A * | 9/1998 | Moore | | 296/3 |
| D542,731 | S * | 5/2007 | Kramer | | D12/406 |
| 2002/0163214 | A1 * | 11/2002 | Carter | | 296/3 |
| 2003/0164621 | A1 * | 9/2003 | Krause | | 296/3 |

2004/0232718 A1* 11/2004 Kerns 296/3
2006/0163300 A1* 7/2006 Kramer 224/405

* cited by examiner

Primary Examiner—Robert M. Spear
Assistant Examiner—George D Kirschbaum
(74) *Attorney, Agent, or Firm*—Peter Ganjian

(57) **CLAIM**

The ornamental design for universal design rack, as shown and described.

DESCRIPTION

FIG. 1 is a front elevation view of a universal design rack showing my new design;

FIG. 2 is a back elevation view thereof;

FIG. 3 is a left side elevation view thereof;

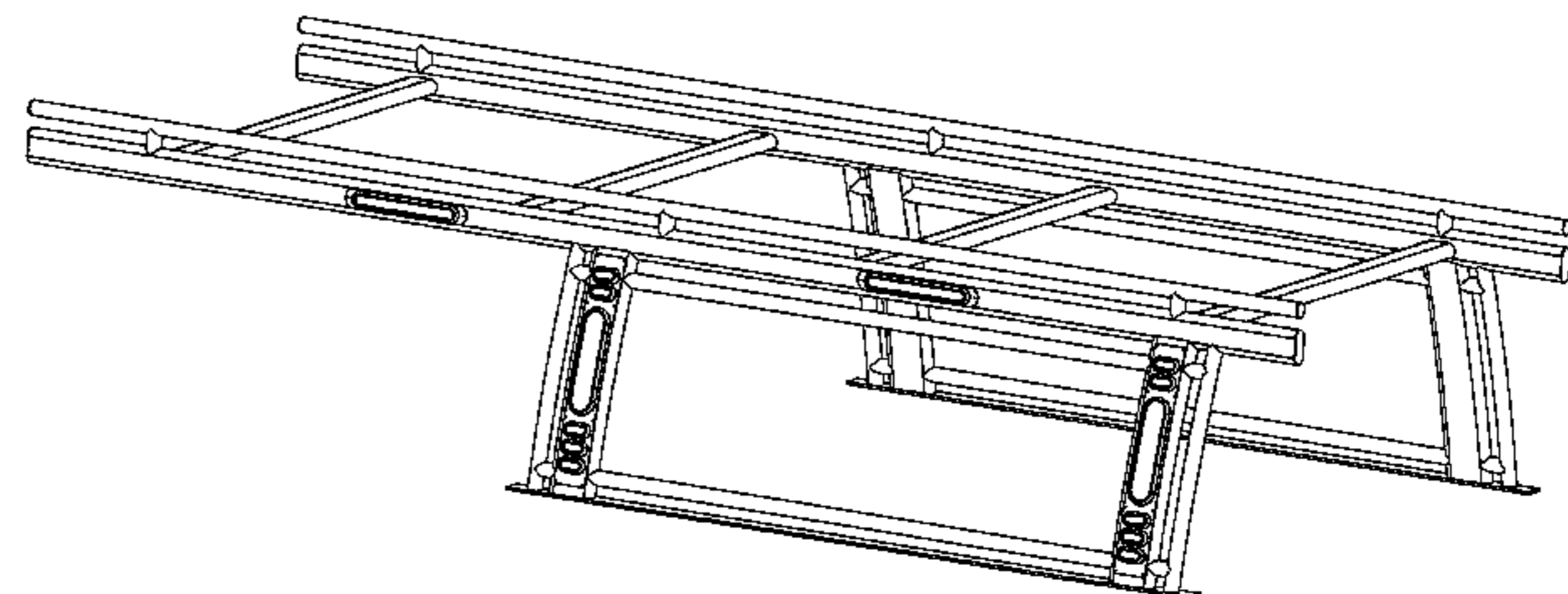
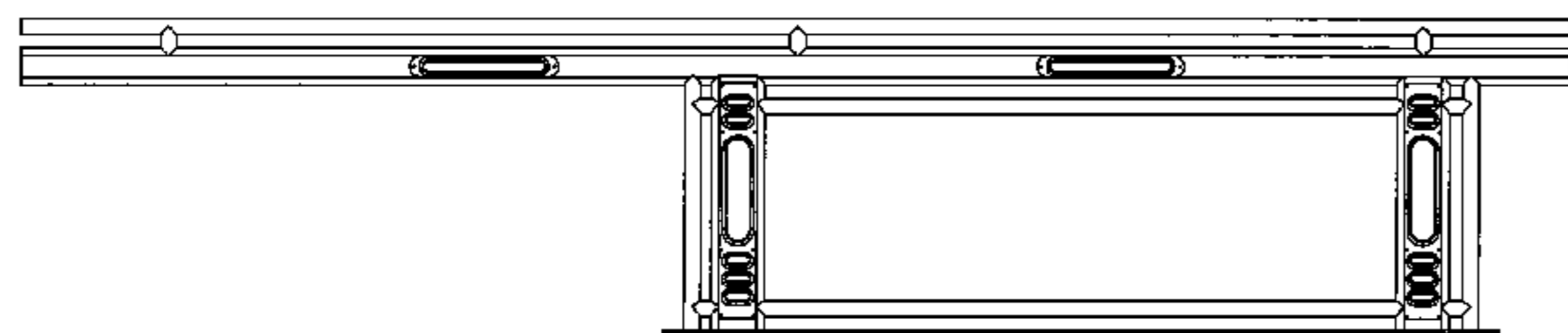
FIG. 4 is a right side elevation view thereof,

FIG. 5 is a top plan view thereof;

FIG. 6 is a bottom plan view thereof; and,

FIG. 7 is a perspective view thereof.

1 Claim, 7 Drawing Sheets



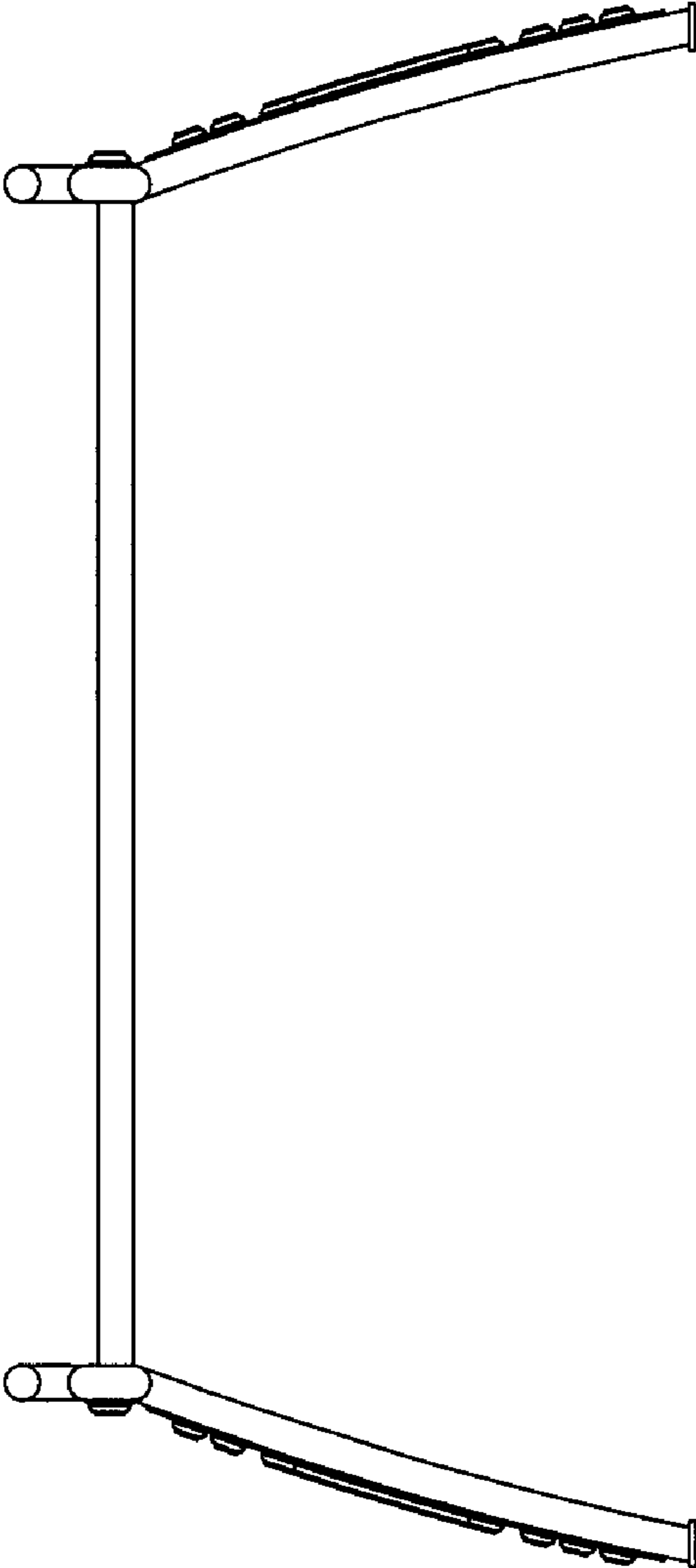


Figure 1

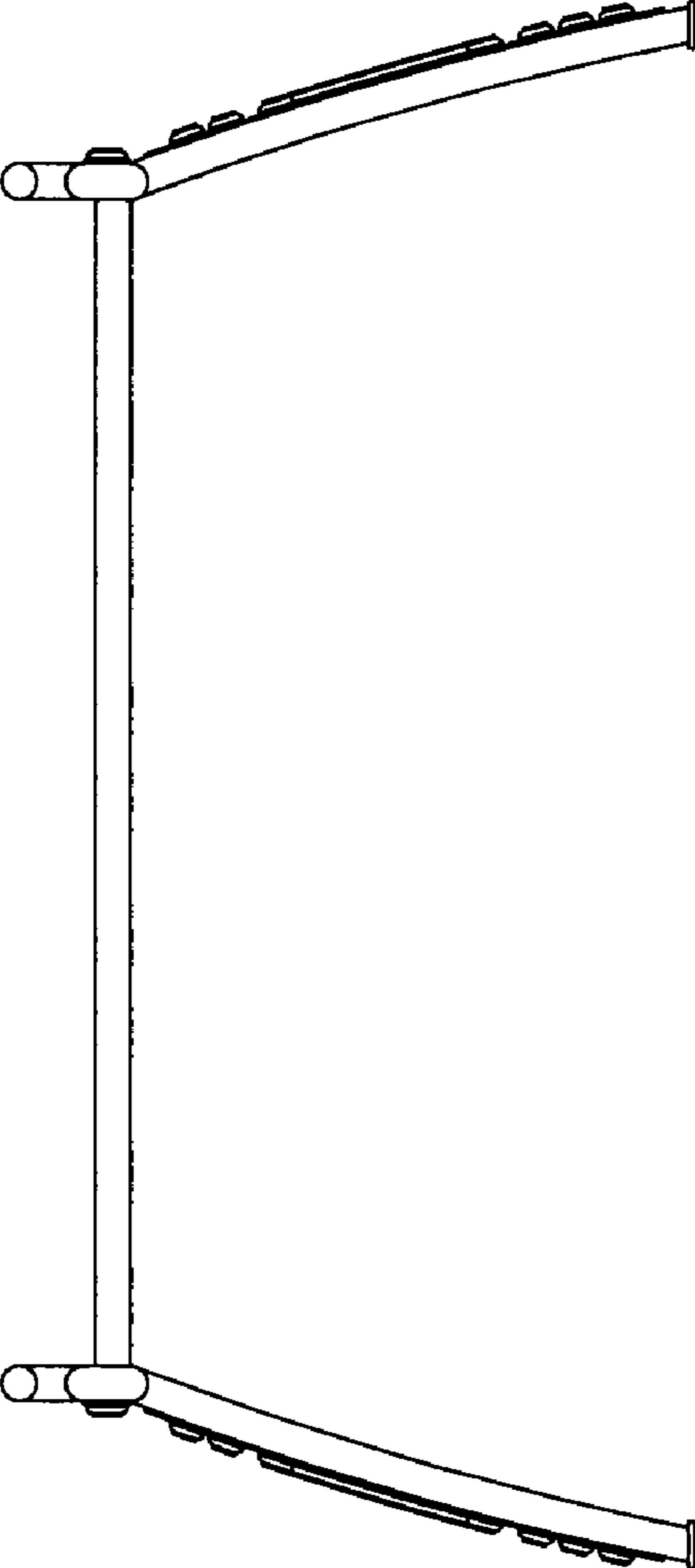


Figure 2

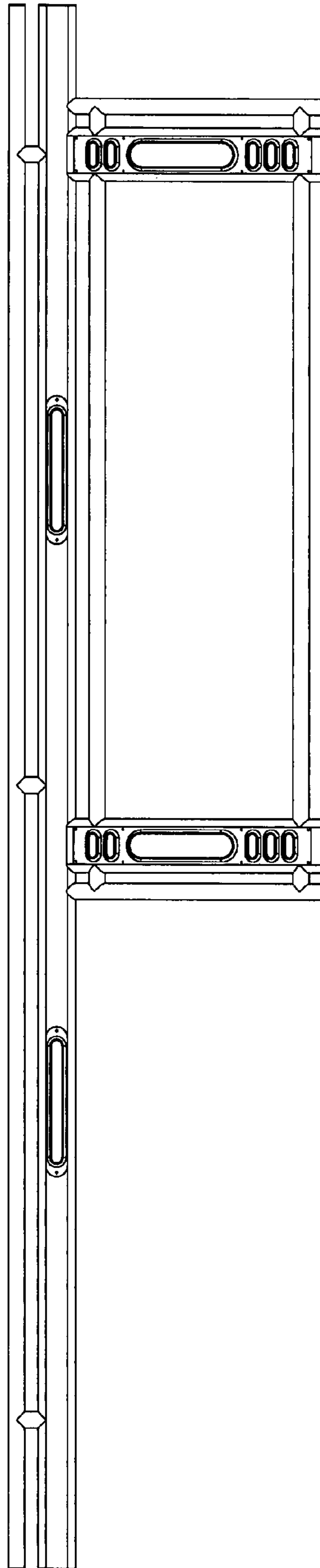


Figure 3

Figure 4

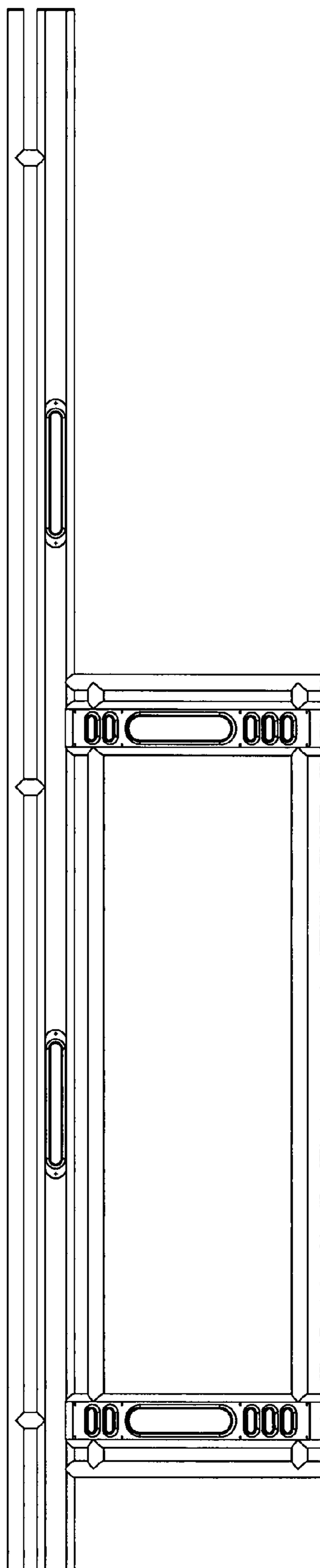


Figure 5

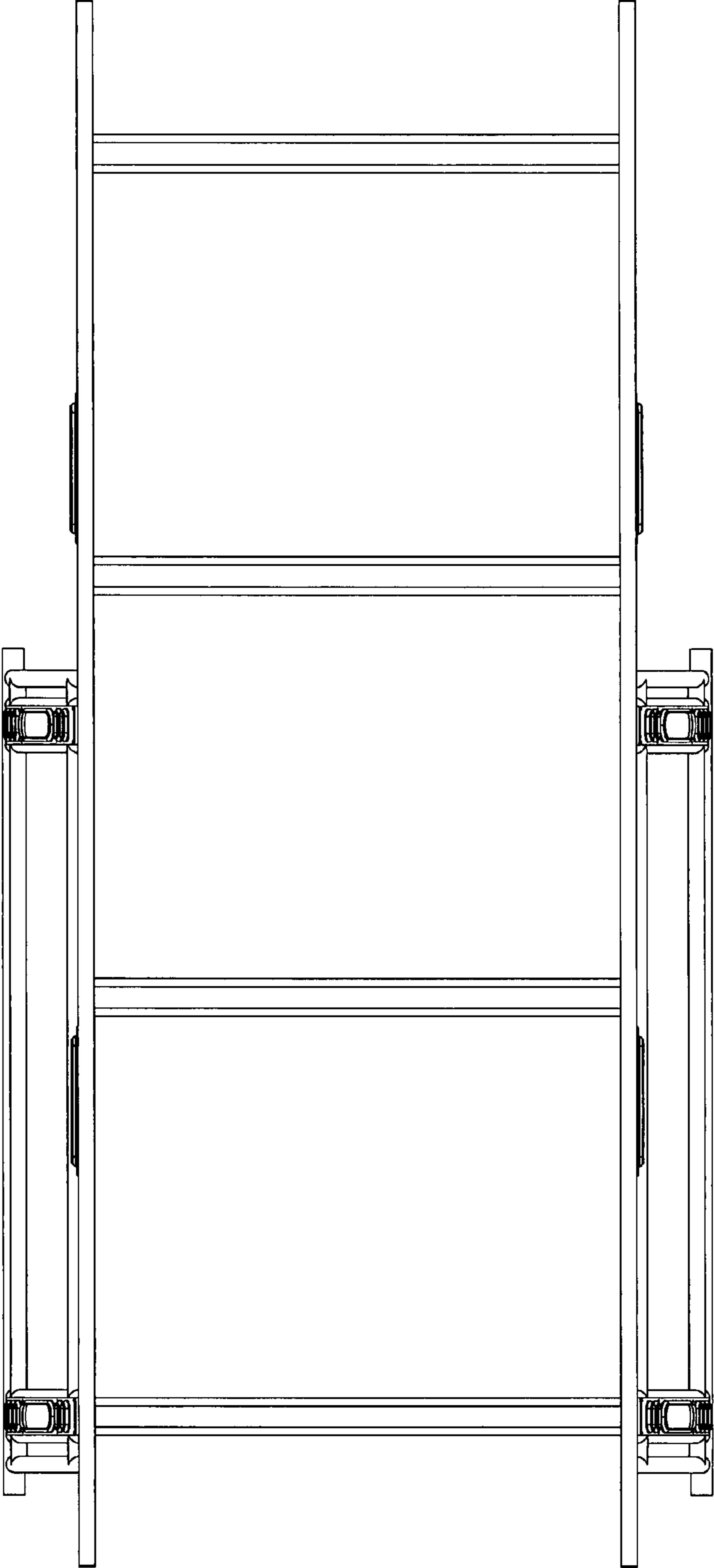
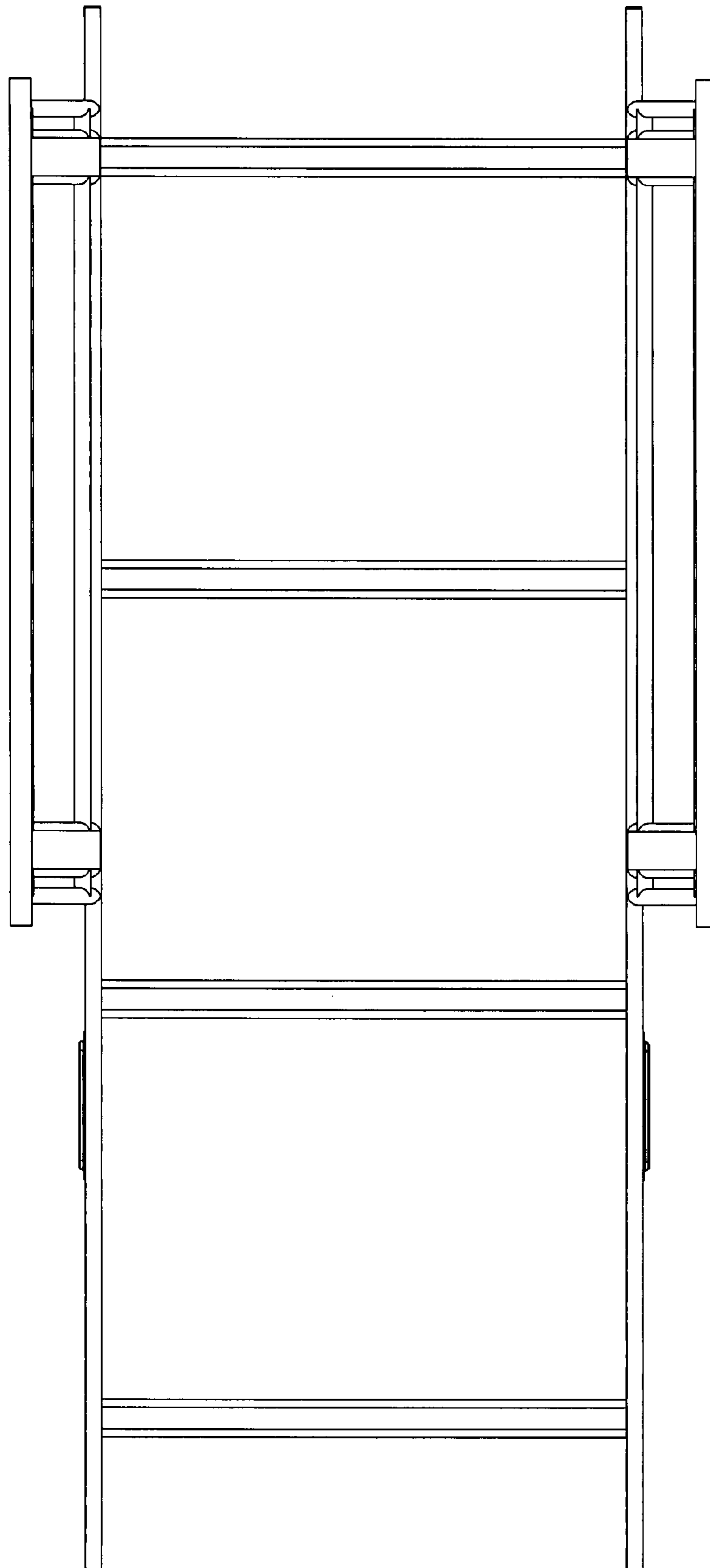


Figure 6



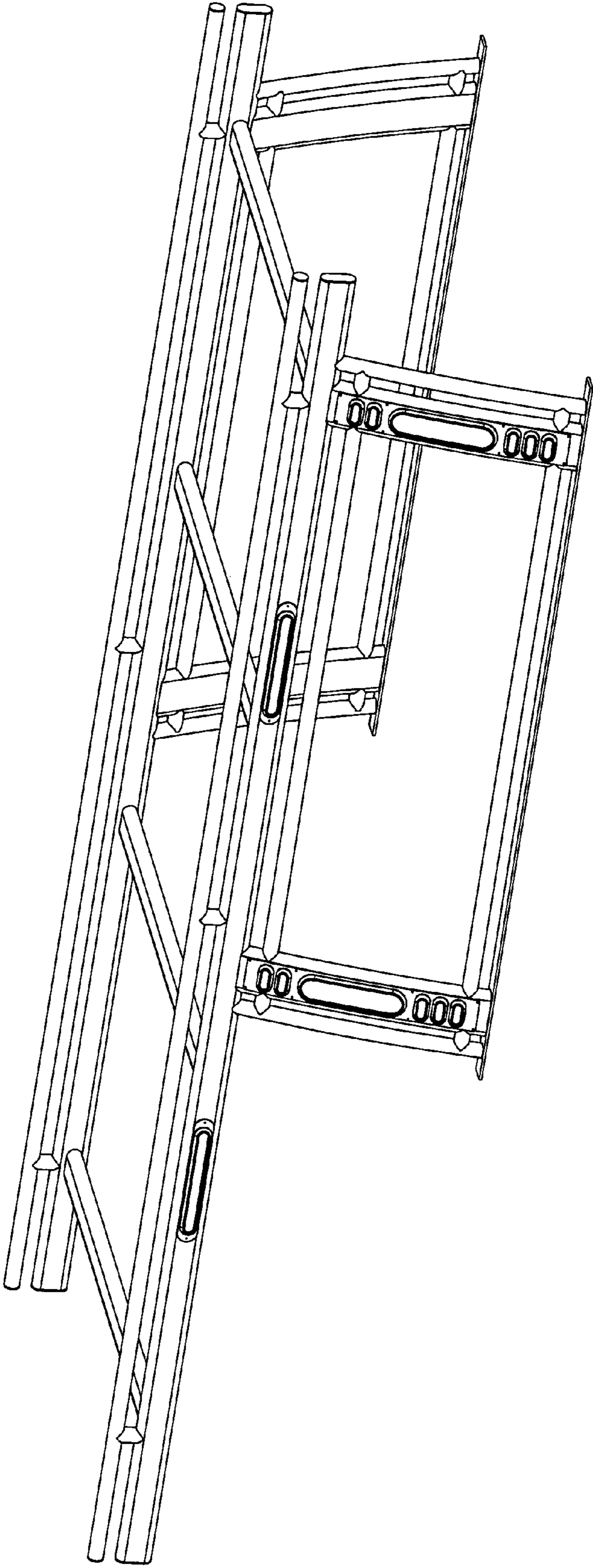


Figure 7