



US00D578466S

(12) **United States Design Patent**
Kosaka

(10) **Patent No.:** **US D578,466 S**
(45) **Date of Patent:** **** Oct. 14, 2008**

(54) **PORTION OF AN AUTOMOBILE**

(75) Inventor: **Shiro Kosaka**, Tokyo (JP)

(73) Assignee: **Gallery Abarth Inc.**, Tokyo (JP)

(**) Term: **14 Years**

(21) Appl. No.: **29/283,534**

(22) Filed: **Aug. 16, 2007**

(30) **Foreign Application Priority Data**

Feb. 16, 2007 (JP) 2007-003724

(51) **LOC (8) Cl.** **12-16**

(52) **U.S. Cl.** **D12/401**

(58) **Field of Classification Search** D12/406,
D12/412, 401; 224/405, 403, 331; 180/336,
180/90; 296/37.12, 37.8, 46.5, 70; 428/57;
259/630; 74/18

See application file for complete search history.

(56) **References Cited**

U.S. PATENT DOCUMENTS

D450,031 S * 11/2001 Hall D12/401

2006/0232107 A1 * 10/2006 Wieschermann et al. 296/211

* cited by examiner

Primary Examiner—Robert M. Spear
Assistant Examiner—George D Kirschbaum
(74) *Attorney, Agent, or Firm*—Banner and Witcoff, Ltd.

(57) **CLAIM**

The ornamental design for a portion of an automobile, as shown and described.

DESCRIPTION

FIG. 1 is a front, top and left side perspective view of a portion of an automobile, showing my new design;

FIG. 2 is a front elevational view thereof;

FIG. 3 is a rear elevational view thereof;

FIG. 4 is a top plan view thereof;

FIG. 5 is a bottom plan view thereof;

FIG. 6 is a left side elevational view thereof;

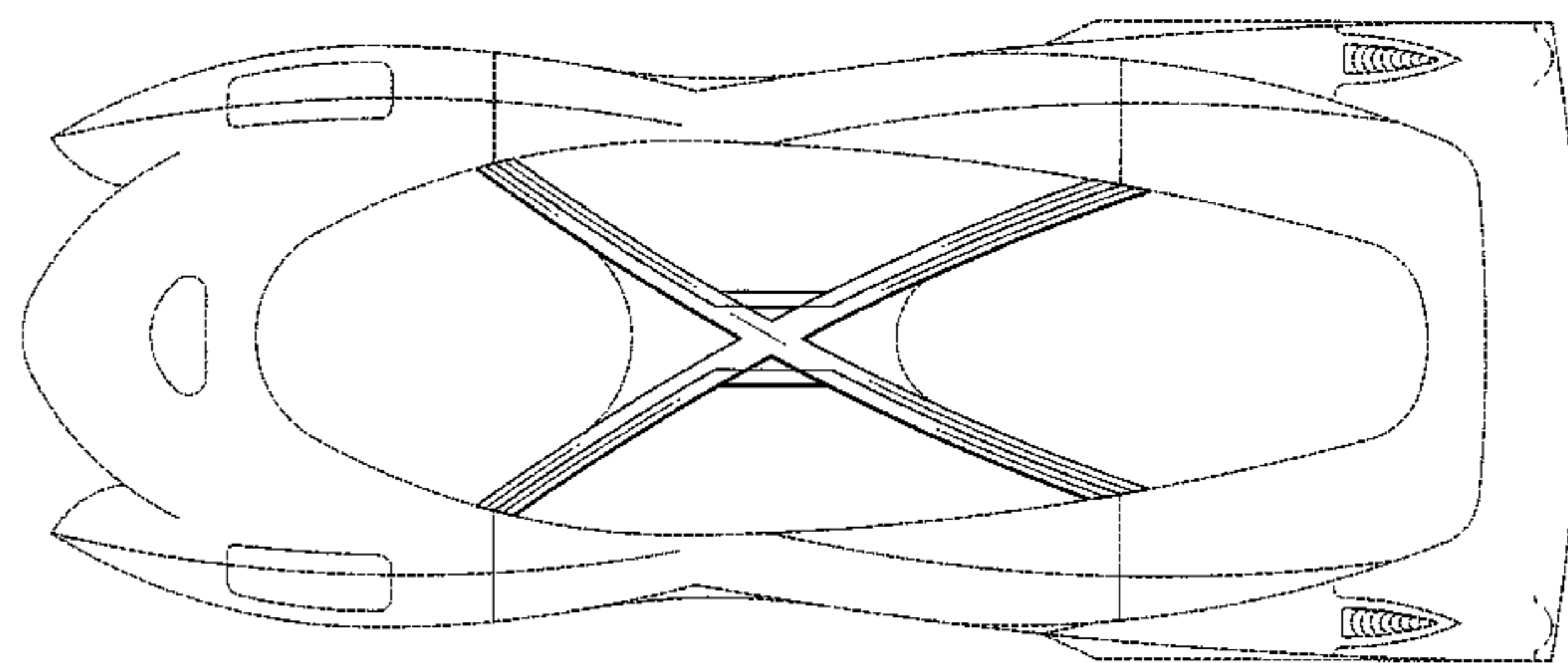
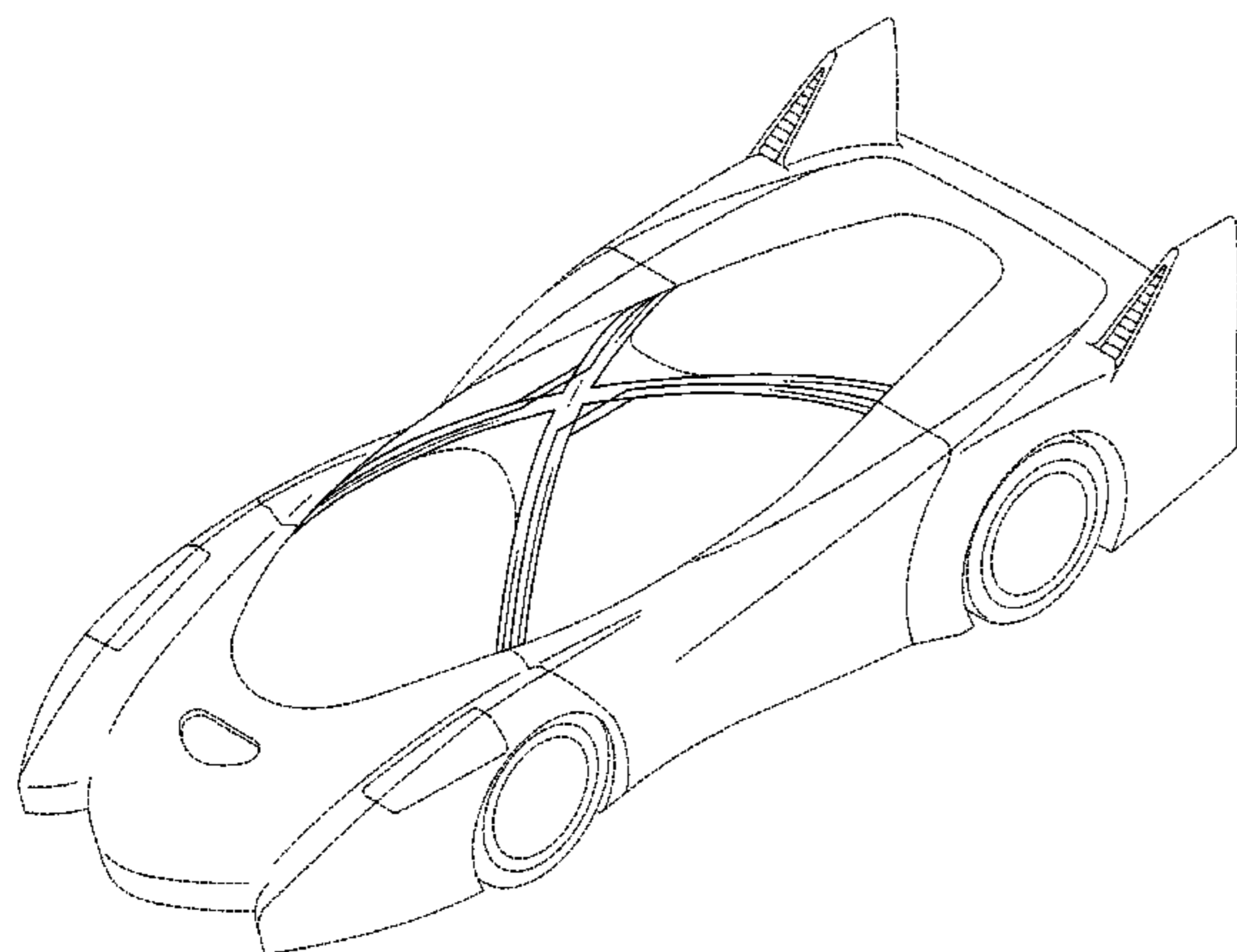
FIG. 7 is a right side elevational view thereof;

FIG. 8 is a front view thereof showing the design in an alternate position of use; and,

FIG. 9 is an enlarged fragmented perspective view thereof.

The broken lines depict unclaimed environmental subject matter.

1 Claim, 7 Drawing Sheets



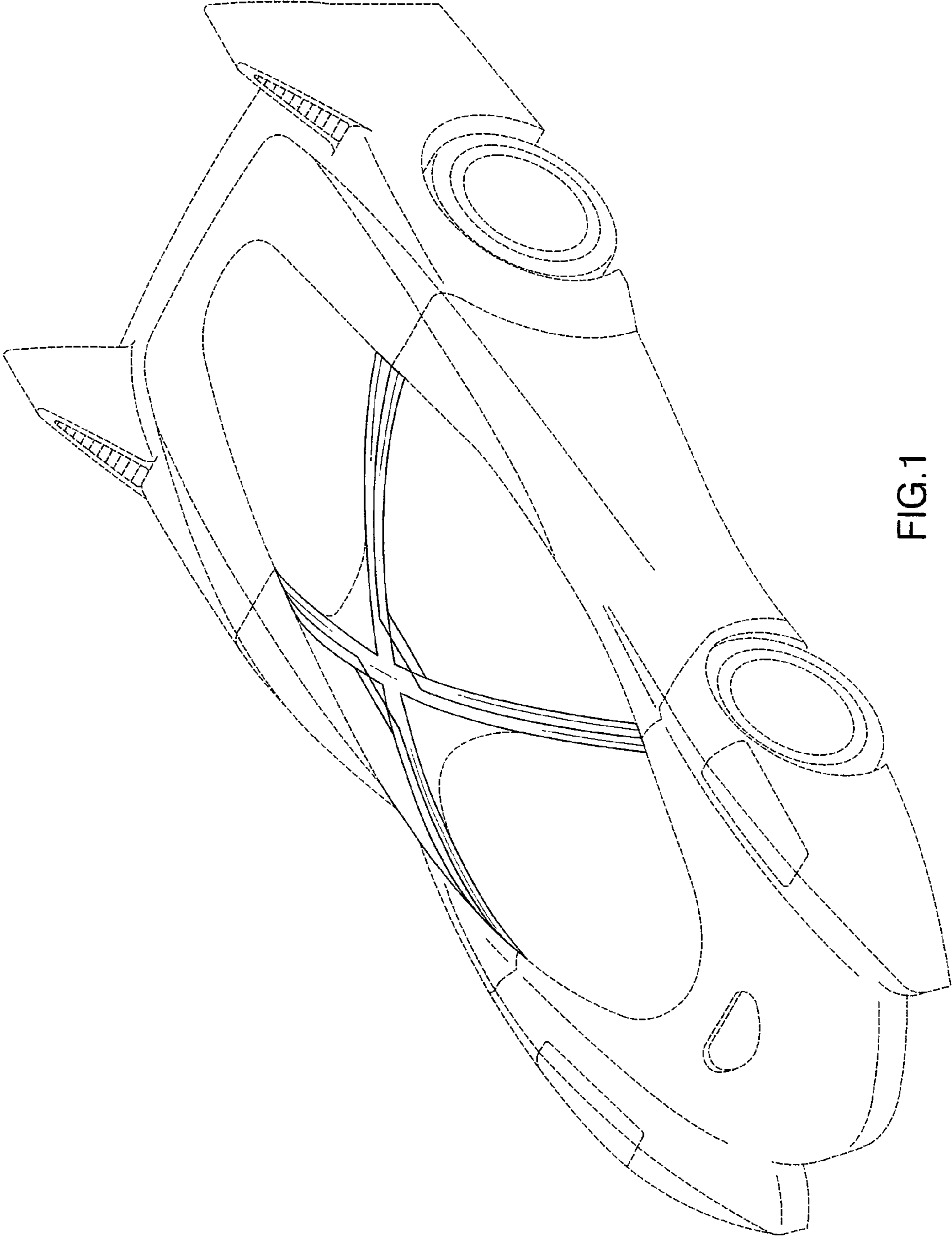


FIG.1

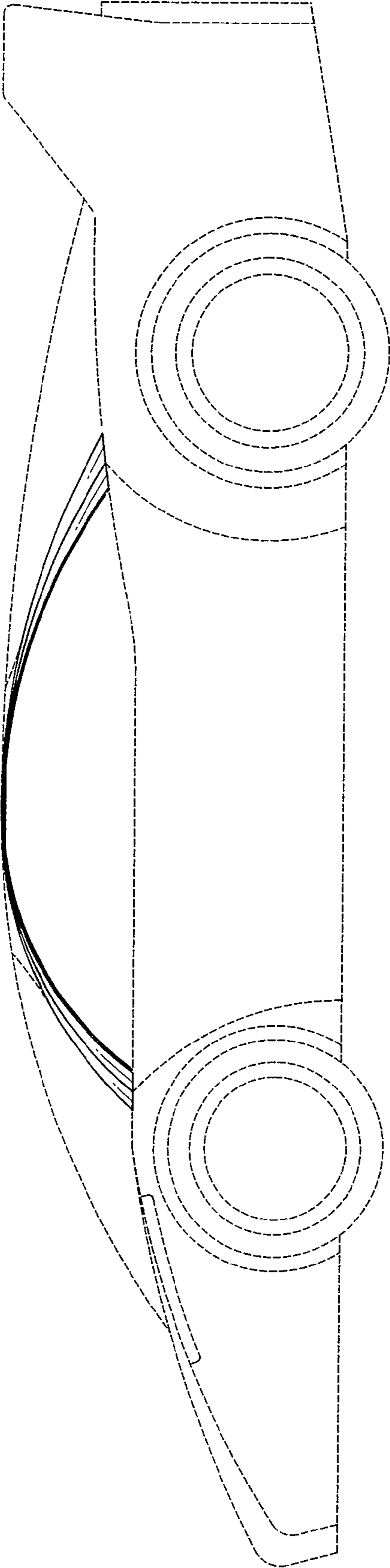


FIG.2

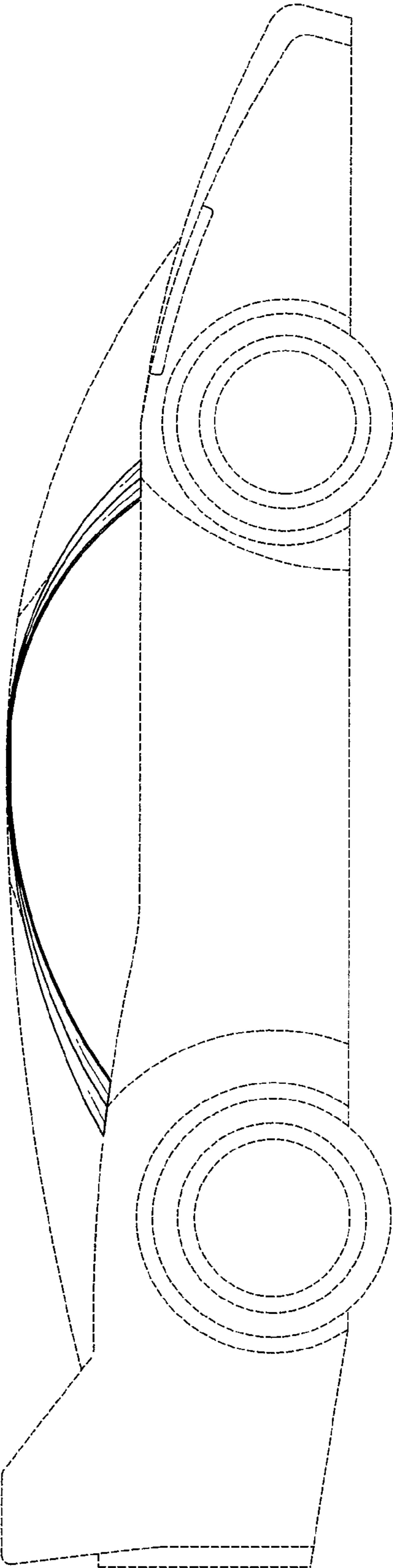


FIG.3

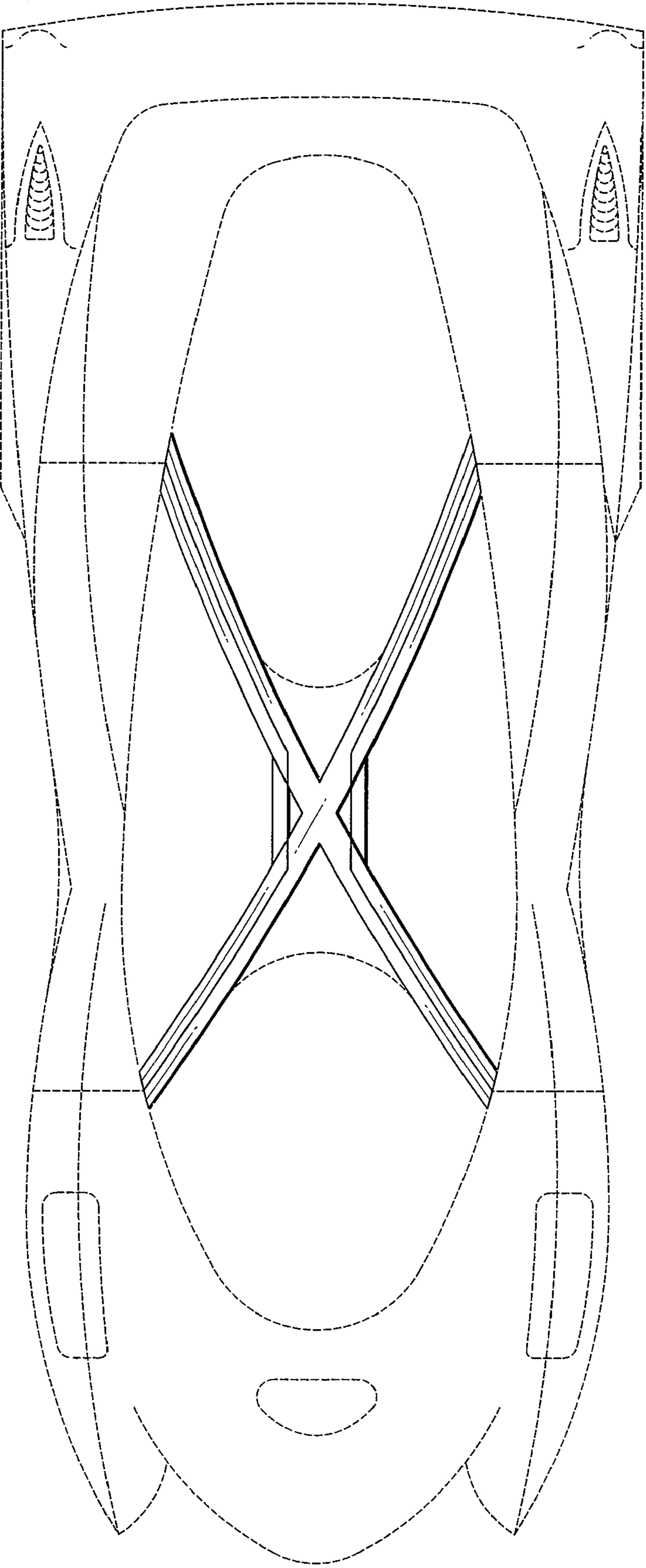


FIG.4

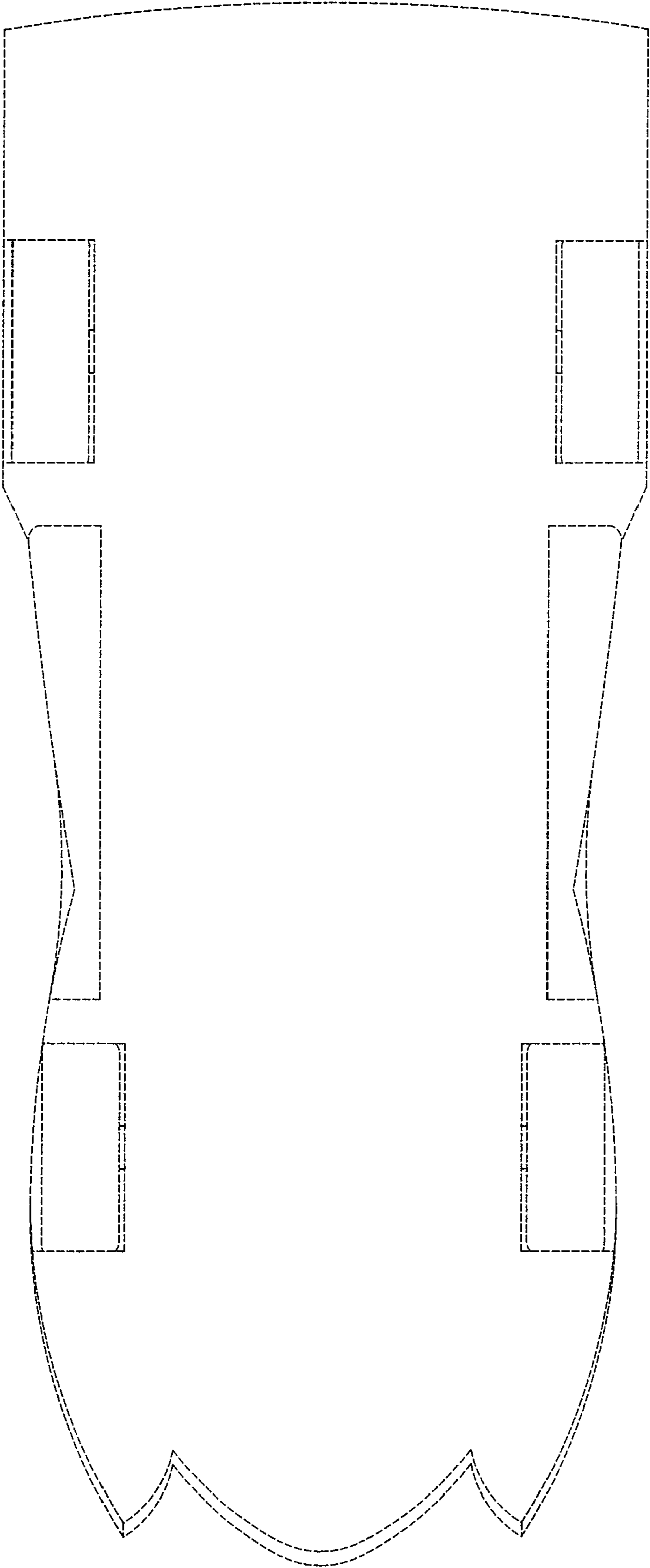


FIG.5

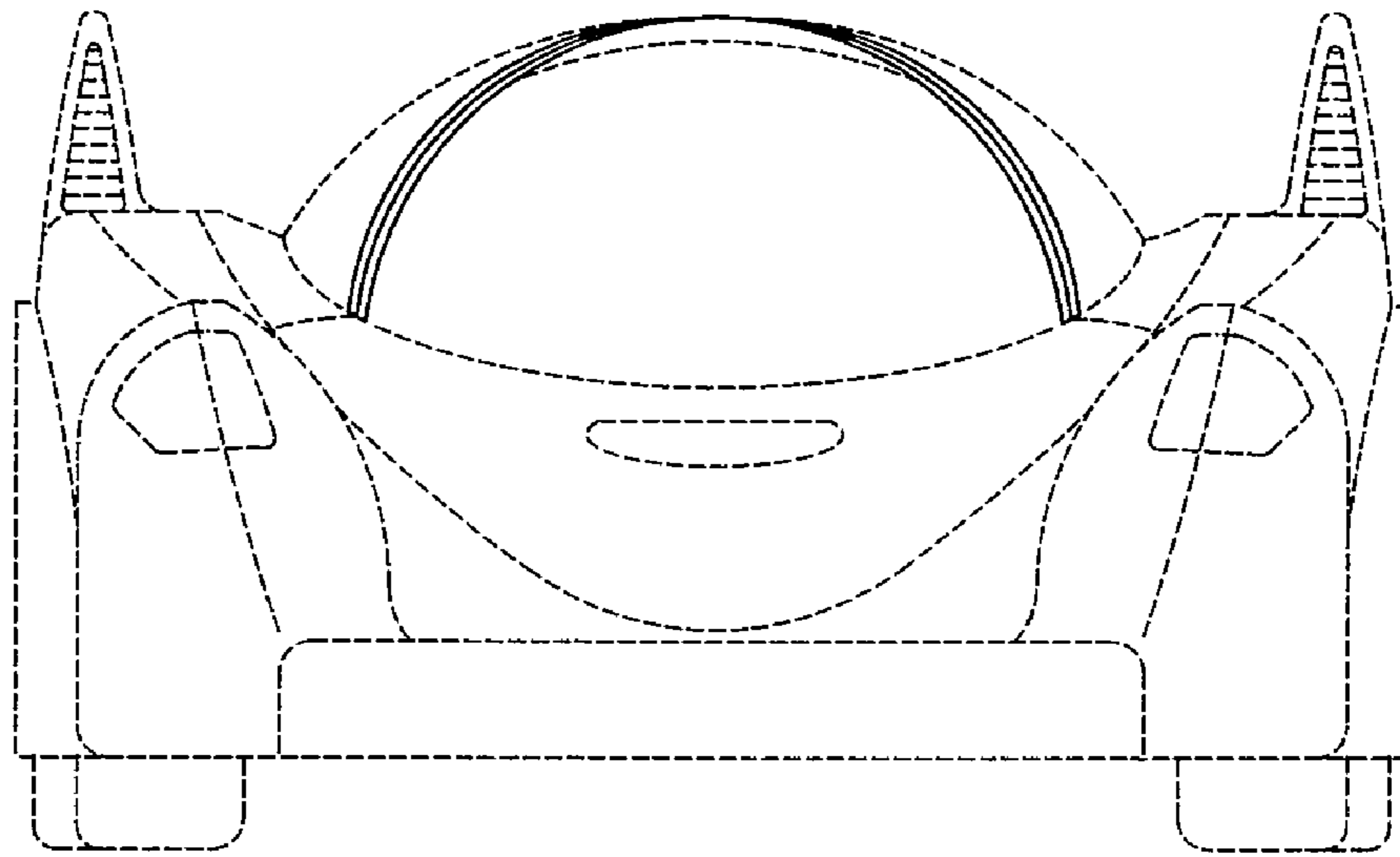


FIG. 6

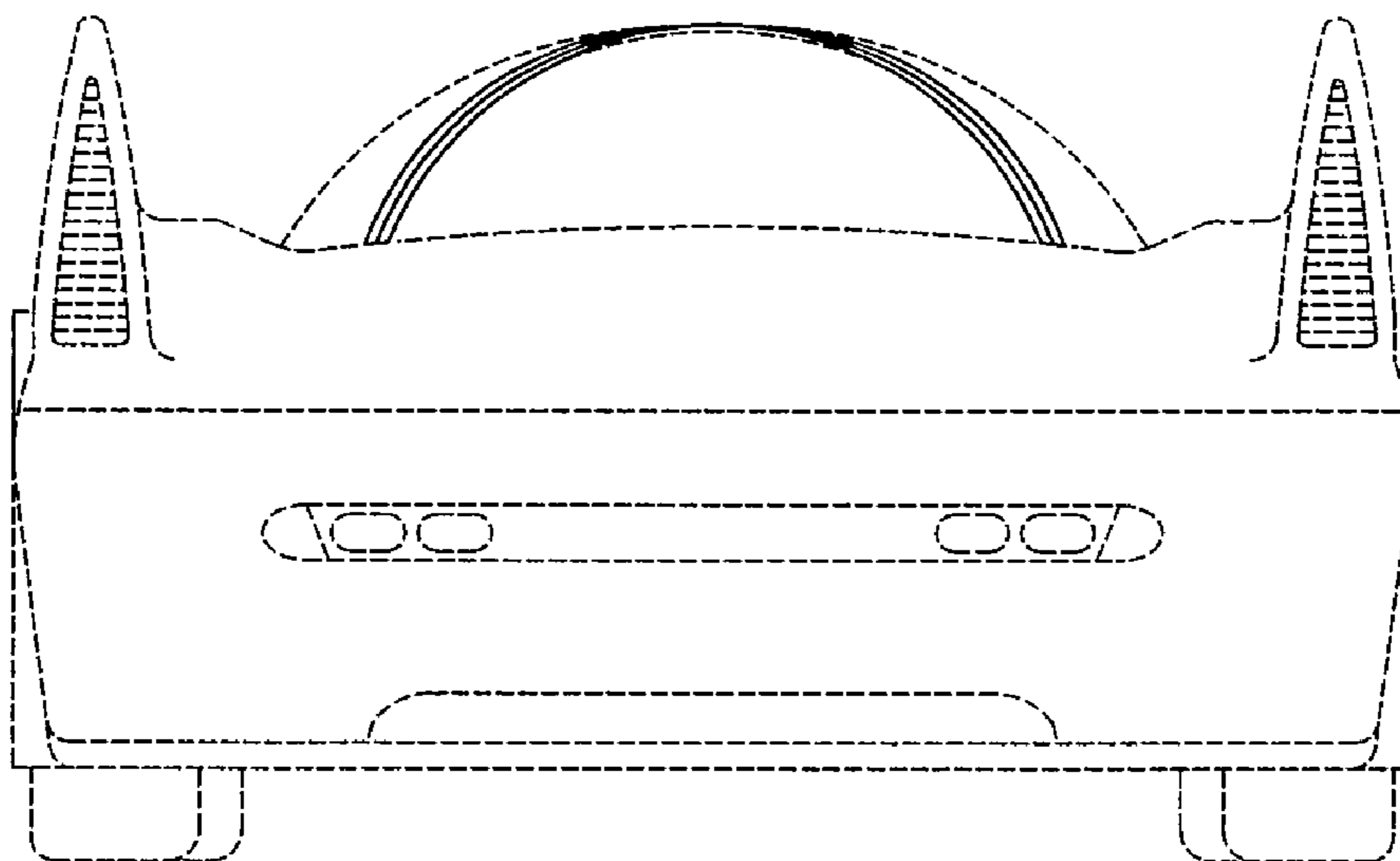


FIG. 7

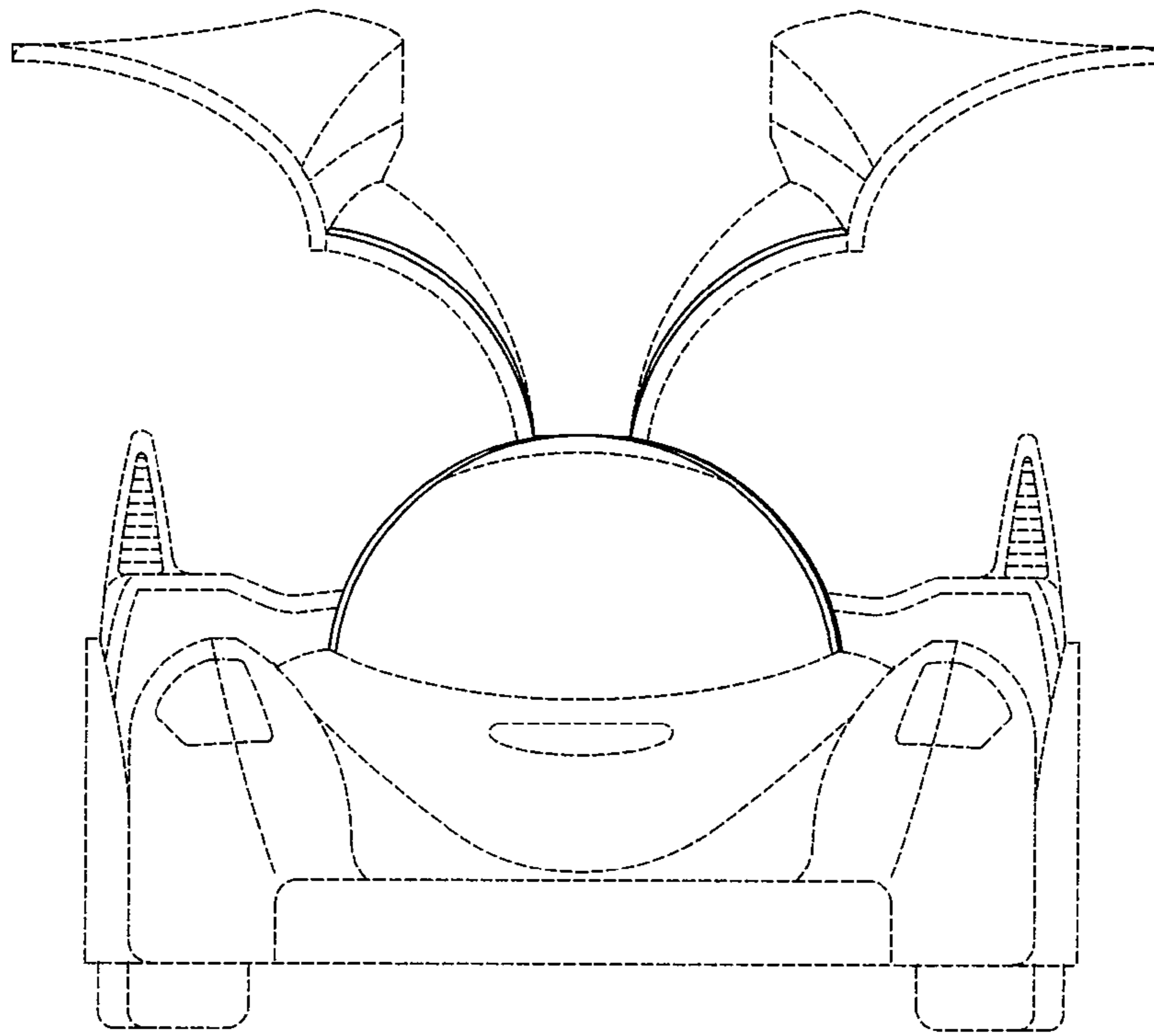


FIG. 8

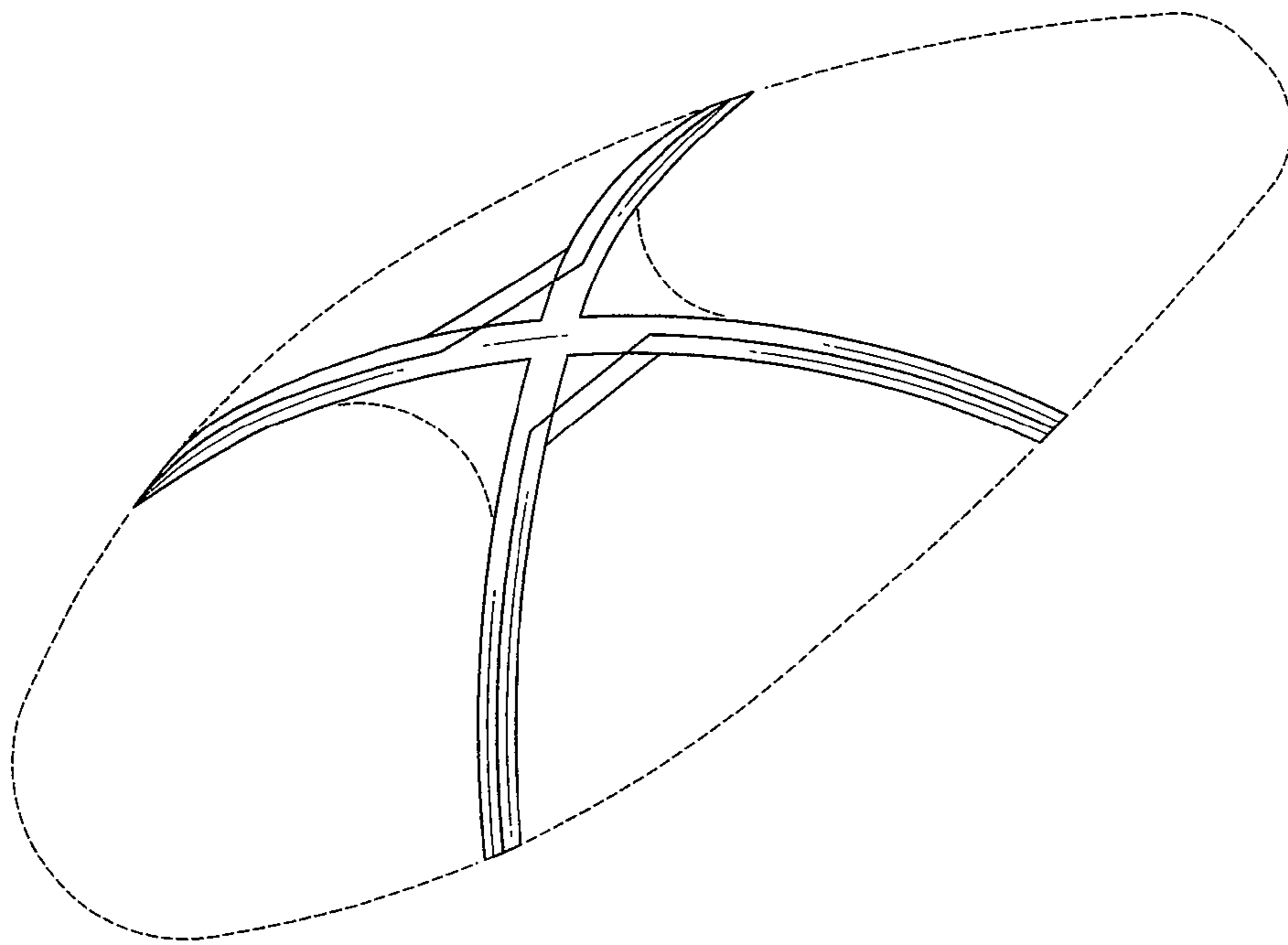


FIG. 9