



US00D578464S

(12) **United States Design Patent**  
**Sheedy et al.**

(10) **Patent No.:** **US D578,464 S**  
(45) **Date of Patent:** **\*\* Oct. 14, 2008**

(54) **BOAT BUMPER ASSEMBLY**

(76) Inventors: **Justin J. Sheedy**, 1518 Perennial Dr.,  
San Antonio, TX (US) 78232; **James**  
**Scott White**, 83 Blue Thorn Trail, San  
Antonio, TX (US) 78256

(\*\*) Term: **14 Years**

(21) Appl. No.: **29/290,552**

(22) Filed: **Dec. 14, 2007**

(51) **LOC (8) Cl.** ..... **12-06**

(52) **U.S. Cl.** ..... **D12/317**

(58) **Field of Classification Search** ..... D12/167-172,  
D12/316, 317, 361; 114/219, 231, 220; 405/212-215;  
D25/35

See application file for complete search history.

(56) **References Cited**

**U.S. PATENT DOCUMENTS**

|           |      |         |               |       |         |
|-----------|------|---------|---------------|-------|---------|
| 4,773,348 | A *  | 9/1988  | Rowley        | ..... | 114/219 |
| 4,843,994 | A *  | 7/1989  | Wilson et al. | ..... | 114/219 |
| 5,007,363 | A *  | 4/1991  | James         | ..... | 114/219 |
| D375,924  | S *  | 11/1996 | Kramer        | ..... | D12/168 |
| D378,508  | S *  | 3/1997  | Kinhead       | ..... | D12/317 |
| 6,349,661 | B1 * | 2/2002  | Dusek         | ..... | 114/219 |

|              |      |         |        |       |         |
|--------------|------|---------|--------|-------|---------|
| 6,783,303    | B2 * | 8/2004  | Snyder | ..... | 405/212 |
| 6,823,811    | B1 * | 11/2004 | Drake  | ..... | 114/219 |
| D510,895     | S *  | 10/2005 | Nelson | ..... | D12/168 |
| 7,143,708    | B1 * | 12/2006 | Cimino | ..... | 114/219 |
| 2003/0049078 | A1 * | 3/2003  | Snyder | ..... | 405/212 |

\* cited by examiner

*Primary Examiner*—Holly H. Baynham  
*Assistant Examiner*—Cynthia M Chin  
(74) *Attorney, Agent, or Firm*—Bacon & Thomas, PLLC

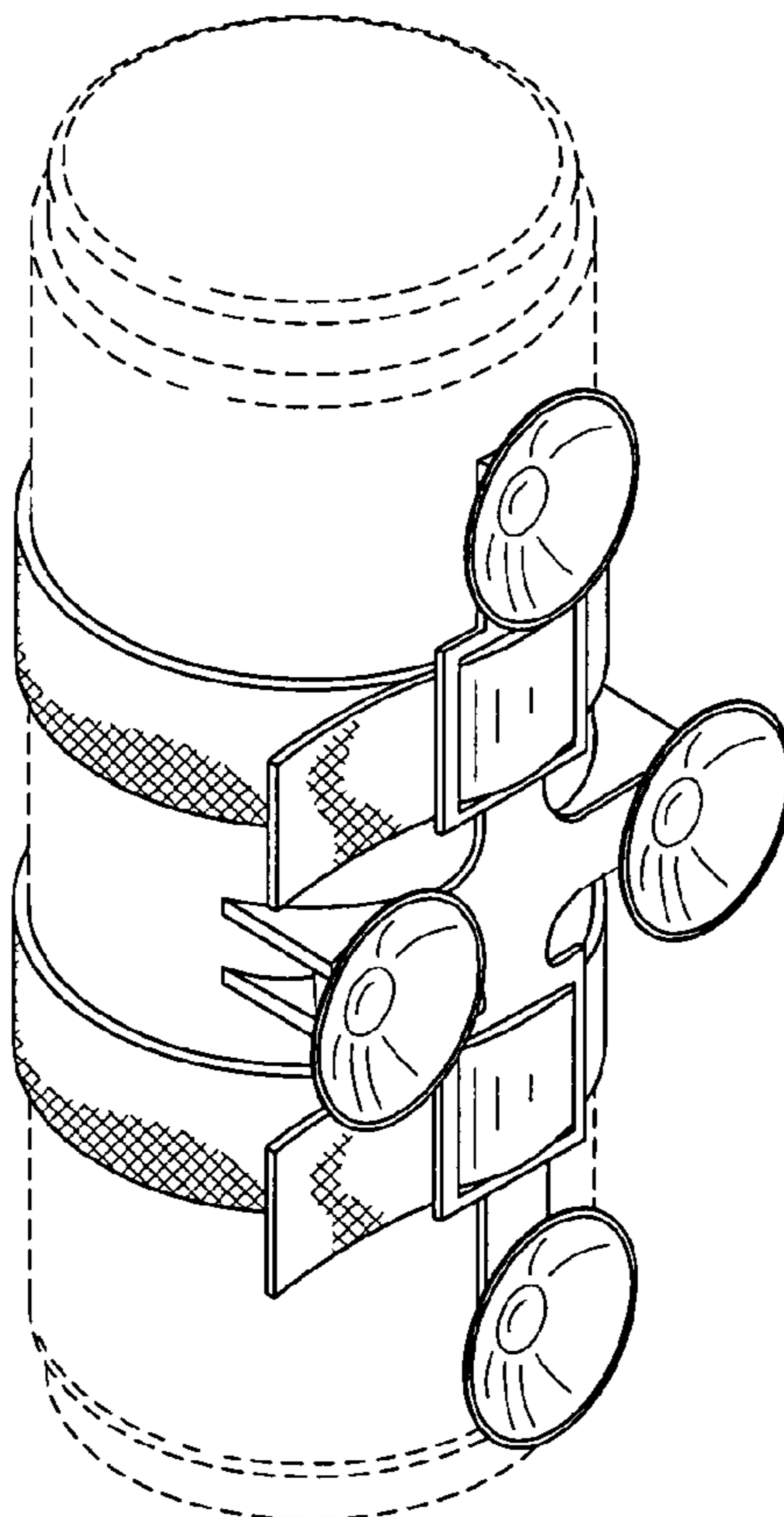
(57) **CLAIM**

The ornamental design for a boat bumper assembly, as shown and described.

**DESCRIPTION**

FIG. 1 is an elevational view of the boat bumper assembly according to our new design;  
FIG. 2 is a side view thereof;  
FIG. 3 is an environmental perspective view thereof; and,  
FIG. 4 is a top view thereof.  
The broken lines are for illustrative purposes only and form no part of the claimed design.

**1 Claim, 1 Drawing Sheet**



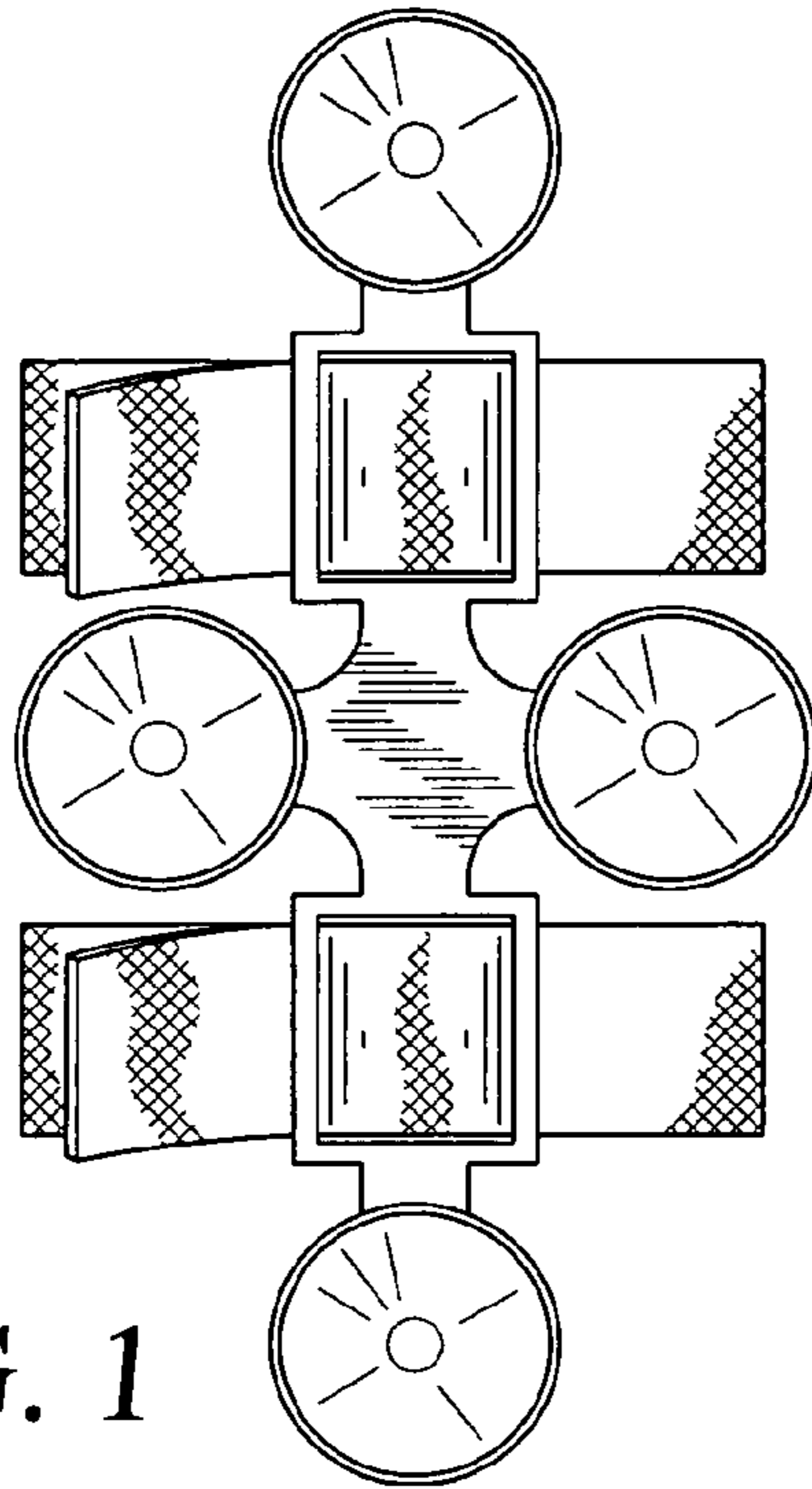


FIG. 1

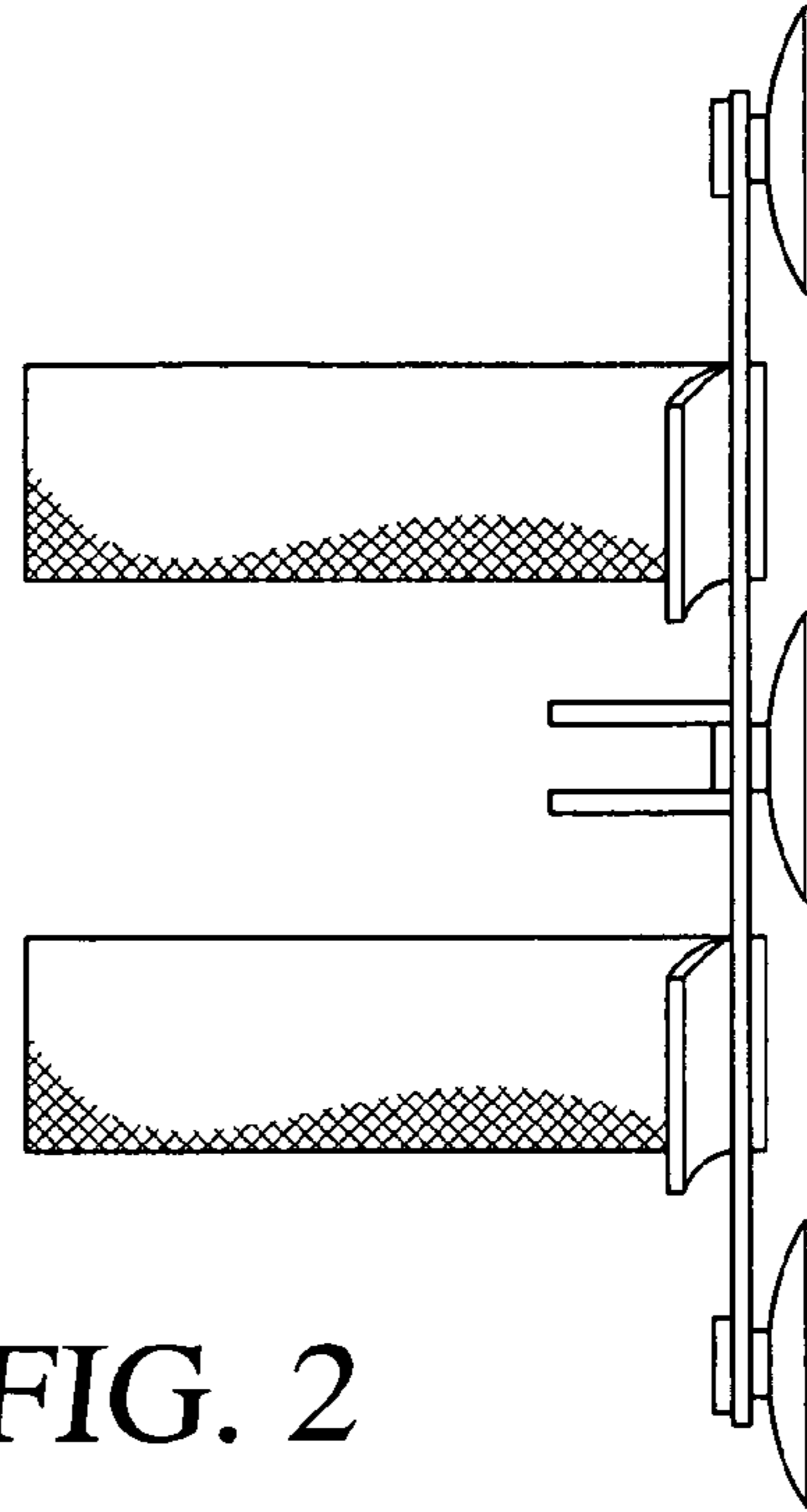


FIG. 2

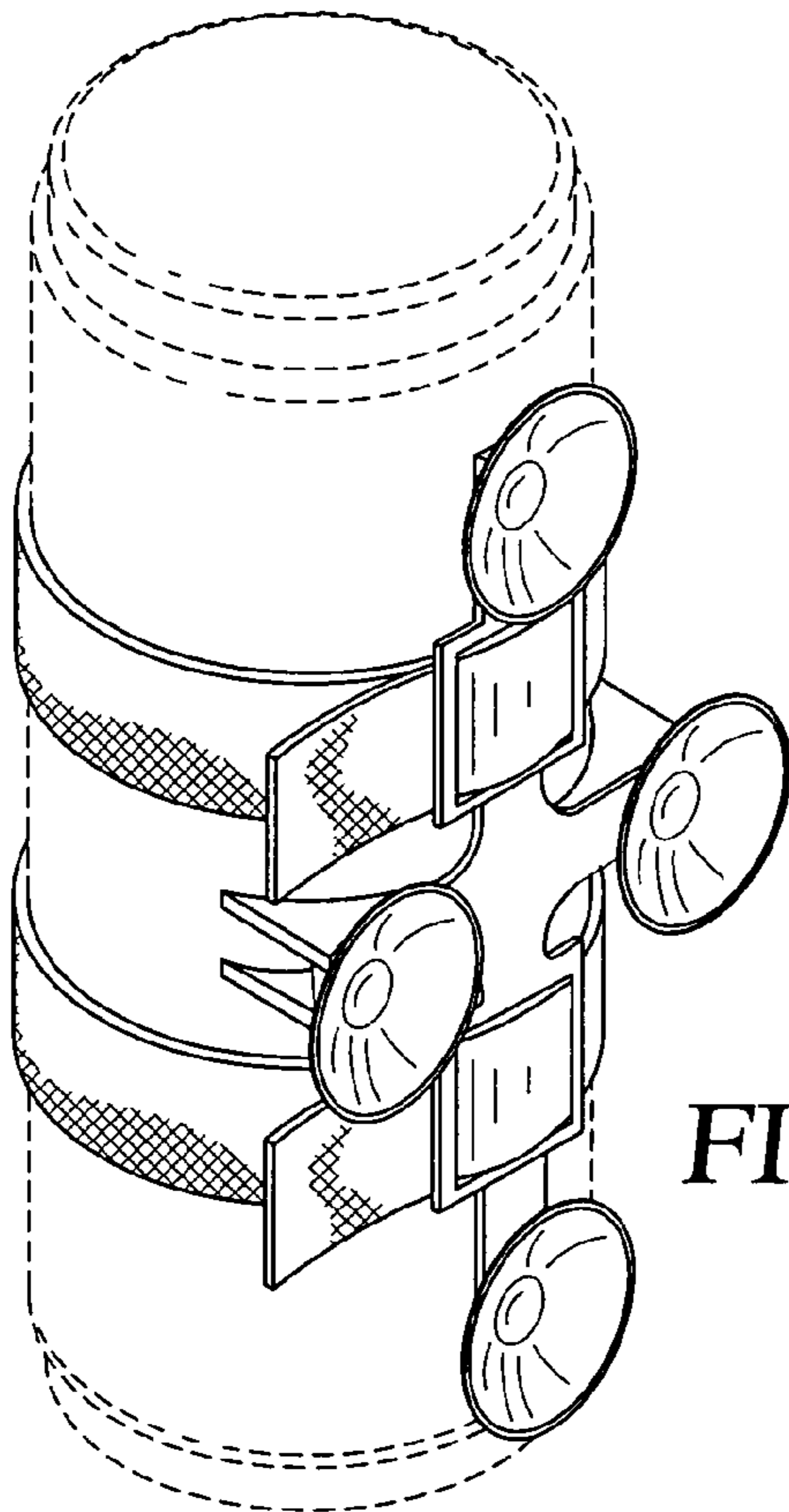


FIG. 3

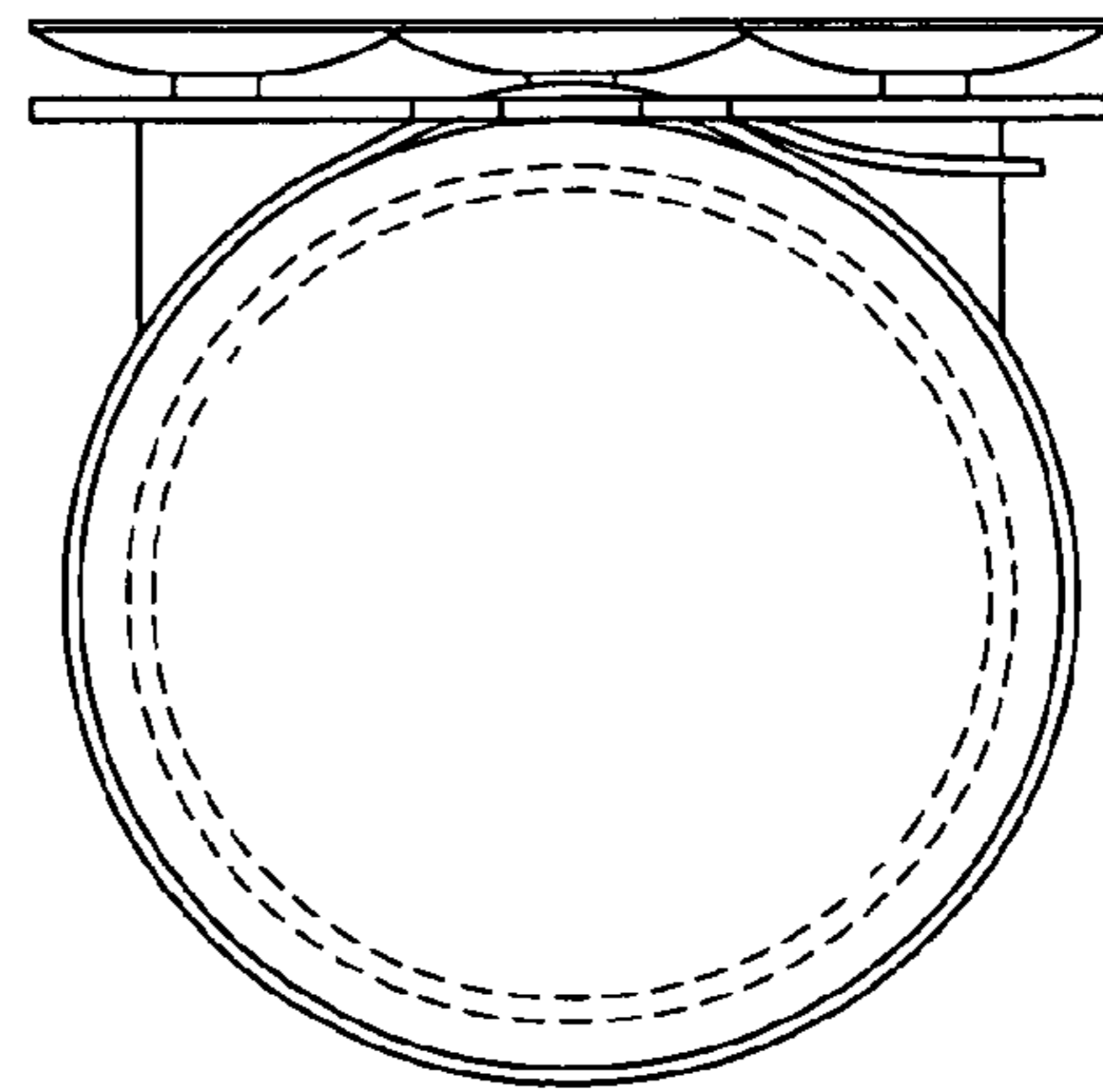


FIG. 4