



US00D578462S

(12) **United States Design Patent**  
**Biosca-Munt et al.**

(10) **Patent No.:** **US D578,462 S**  
(45) **Date of Patent:** **\*\* Oct. 14, 2008**

(54) **COMPONENT OF A WINDSCREEN WIPER**

(75) Inventors: **Josep Biosca-Munt**, Barcelona (ES);  
**Carlos Chicon-Montoya**, Barcelona (ES)

(73) Assignee: **Doga, S.A.**, Barcelona (ES)

(\*\*) Term: **14 Years**

(21) Appl. No.: **29/298,835**

(22) Filed: **Dec. 13, 2007**

(51) **LOC (8) Cl.** ..... **12-06**

(52) **U.S. Cl.** ..... **D12/220**

(58) **Field of Classification Search** ..... D12/219-220;  
15/246, 247, 250.001, 250.41, 250.4, 250.361,  
15/250.19, 250.48, 250.03, 250.31-250.33,  
15/250.351, 250.38, 250.201, 250.451-458,  
15/250.04, 250.07, 250.44

See application file for complete search history.

(56) **References Cited**

**U.S. PATENT DOCUMENTS**

4,286,351 A \* 9/1981 Mower et al. .... 15/250.46

4,795,288 A \* 1/1989 Sakai ..... 15/250.46  
4,909,653 A \* 3/1990 Biggs ..... 403/24  
5,632,059 A \* 5/1997 Lee ..... 15/250.32  
5,682,639 A \* 11/1997 Teindas ..... 15/250.46  
D404,354 S \* 1/1999 Witek et al. .... D12/220  
D478,303 S \* 8/2003 Iverson et al. .... D12/191  
2004/0025282 A1 \* 2/2004 Zimmer et al. .... 15/250.351

\* cited by examiner

*Primary Examiner*—Robert M. Spear

*Assistant Examiner*—Katrina A Kile

(74) *Attorney, Agent, or Firm*—Gifford, Krass, Sprinkle,  
Anderson & Citkowski, P.C.

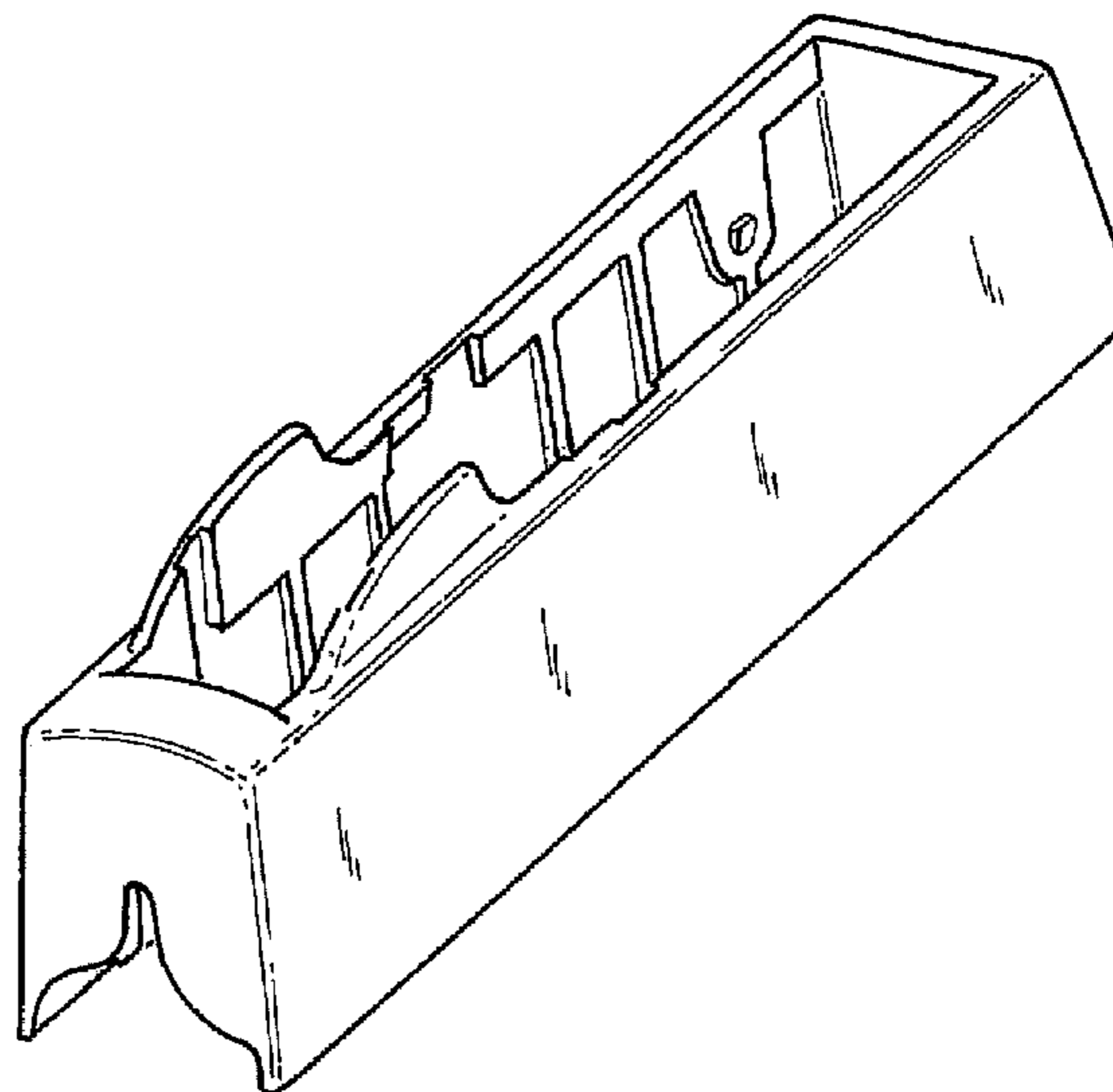
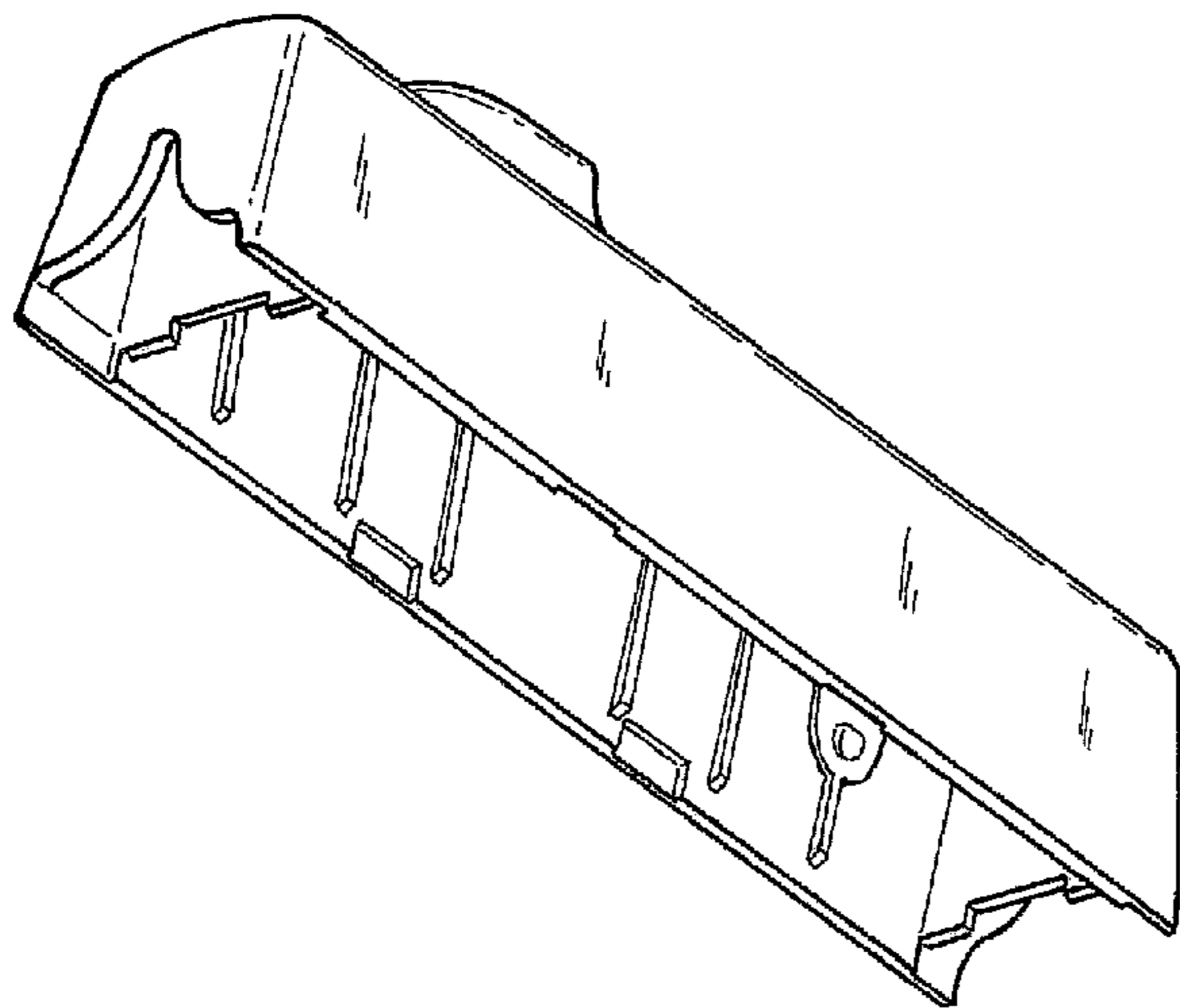
(57) **CLAIM**

We claim the ornamental design for a component of a wind-  
screen wiper, as shown and described.

**DESCRIPTION**

FIG. 1 is a bottom perspective view of a component of a  
windscreen wiper of the present invention; and,  
FIG. 2 is a top perspective view thereof.

**1 Claim, 2 Drawing Sheets**



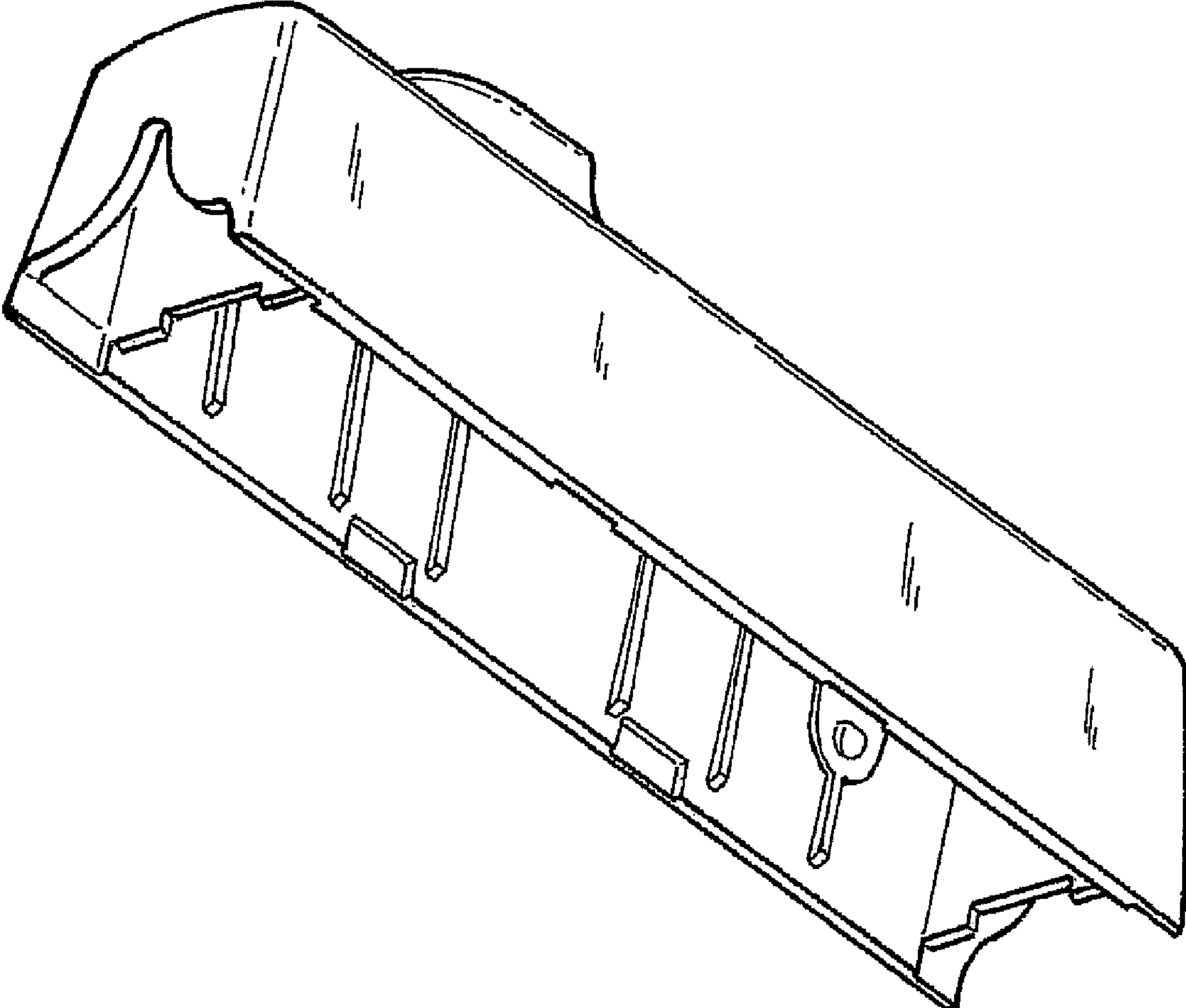


Fig. 1

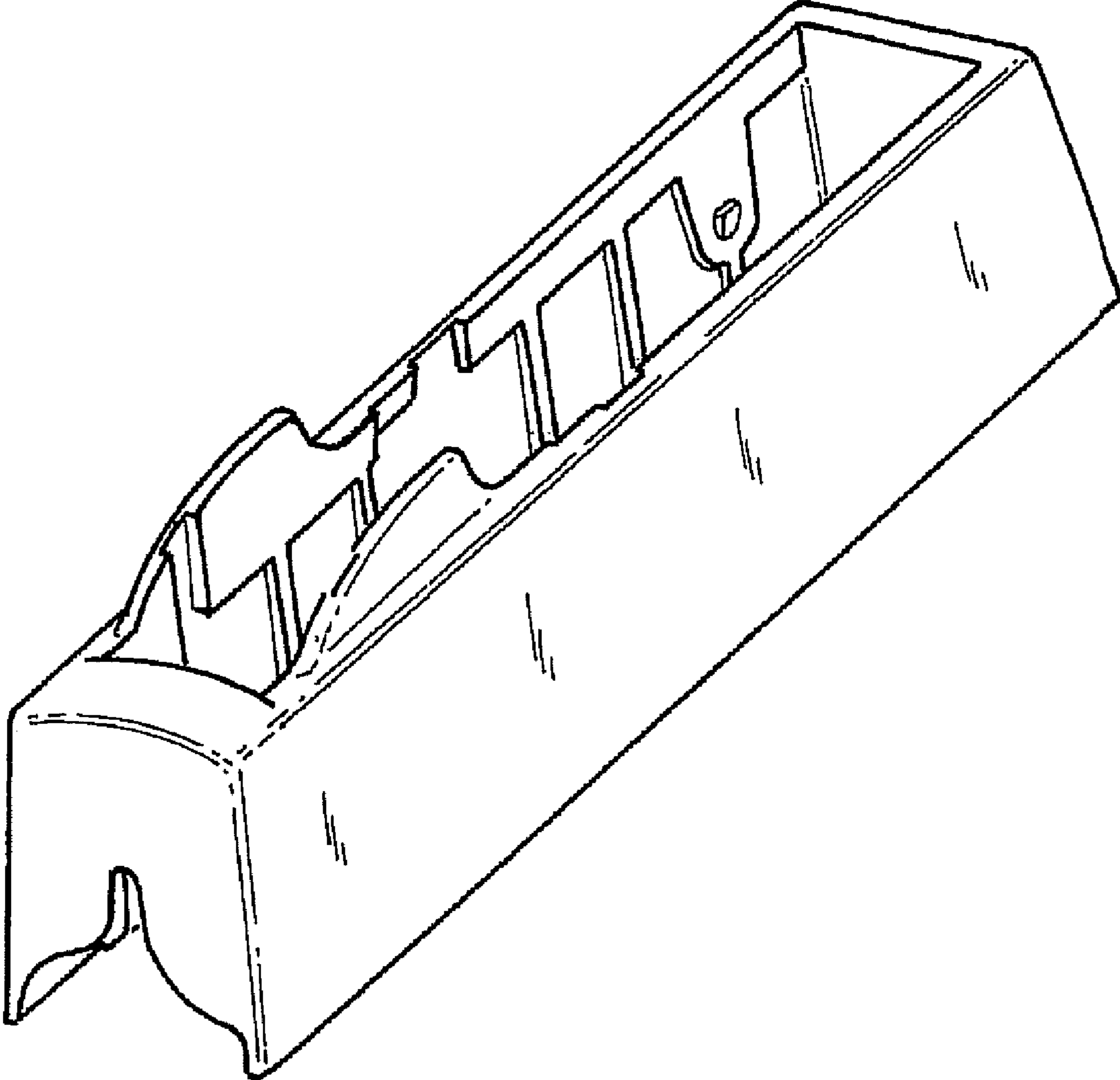


Fig. 2