



US00D578456S

(12) **United States Design Patent**
Miyazawa

(10) **Patent No.:** **US D578,456 S**

(45) **Date of Patent:** **** Oct. 14, 2008**

(54) **WHEEL FOR AUTOMOBILES**

(75) Inventor: **Takuya Miyazawa, Wako (JP)**

(73) Assignee: **Honda Motor Co., Ltd., Tokyo (JP)**

(**) Term: **14 Years**

(21) Appl. No.: **29/290,587**

(22) Filed: **Dec. 18, 2007**

(30) **Foreign Application Priority Data**

Jun. 19, 2007 (JP) 2007-016250

(51) **LOC (8) Cl.** **12-16**

(52) **U.S. Cl.** **D12/211**

(58) **Field of Classification Search** D12/204-213;
301/37.101, 64.101, 65, 64.201

See application file for complete search history.

(56) **References Cited**

U.S. PATENT DOCUMENTS

- D415,094 S * 10/1999 Neeper D12/211
- D504,647 S * 5/2005 Leclercq D12/209
- D506,967 S * 7/2005 Kamimura D12/211
- D520,434 S * 5/2006 Fahr-Becker D12/211
- D524,218 S * 7/2006 Madden D12/211

- D527,699 S * 9/2006 Kiesel D12/209
- D532,356 S * 11/2006 Bernoni D12/211
- D540,733 S * 4/2007 Castiglione D12/211
- D553,063 S * 10/2007 Pugh D12/209
- D567,732 S * 4/2008 Chung D12/209

* cited by examiner

Primary Examiner—Stacia Cadmus

(74) *Attorney, Agent, or Firm*—Birch, Stewart, Kolasch & Birch, LLP

(57) **CLAIM**

The ornamental design for a wheel for automobiles, as shown and described.

DESCRIPTION

FIG. 1 is a front view of a wheel for automobiles showing my new design; and,

FIG. 2 is a front right perspective view thereof.

The rear, bottom, top, left side view and right side view are unornamented.

The portions in the drawings shown in dashed lines are for environmental purposes and form no part of the claimed design.

1 Claim, 1 Drawing Sheet

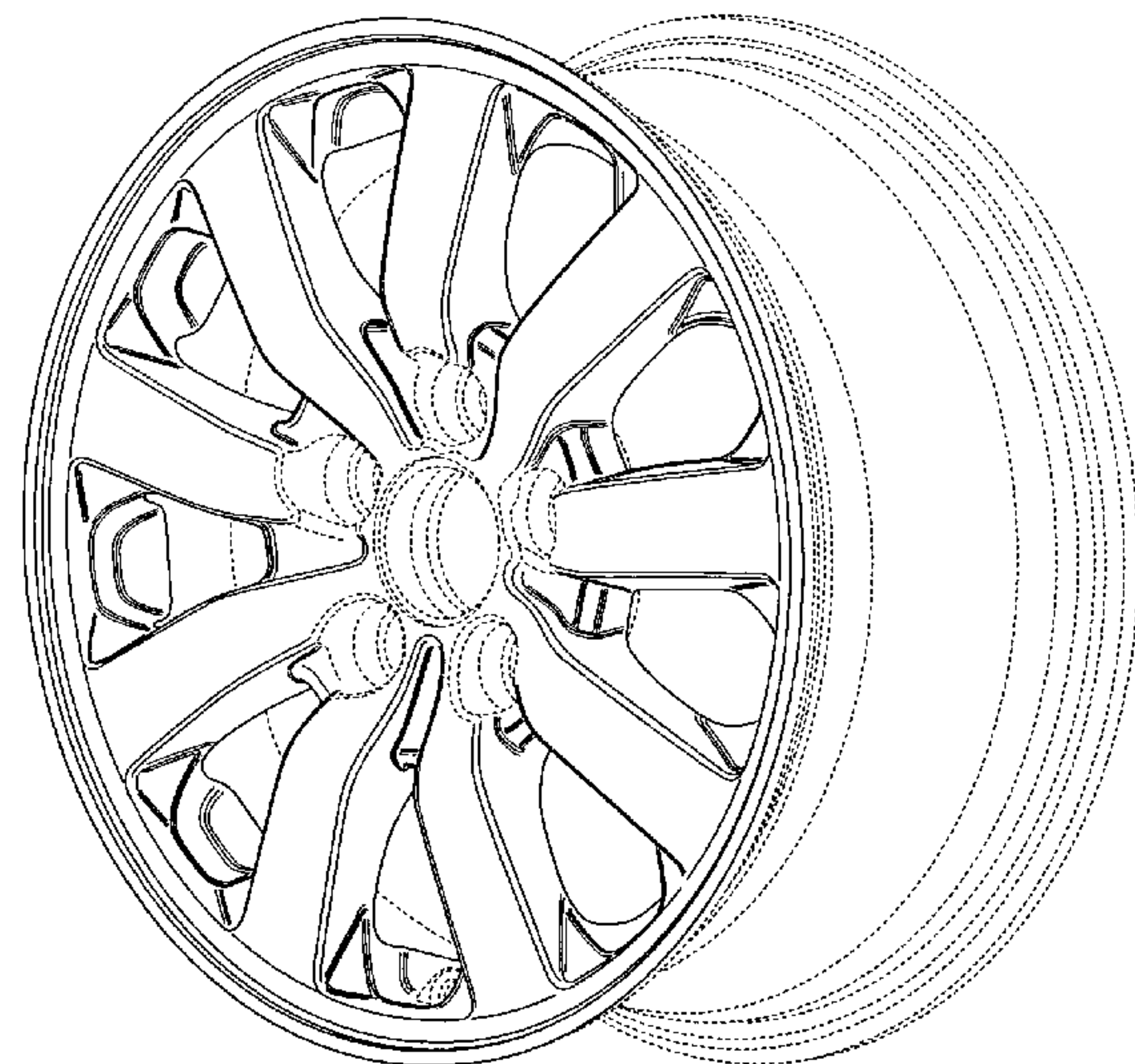
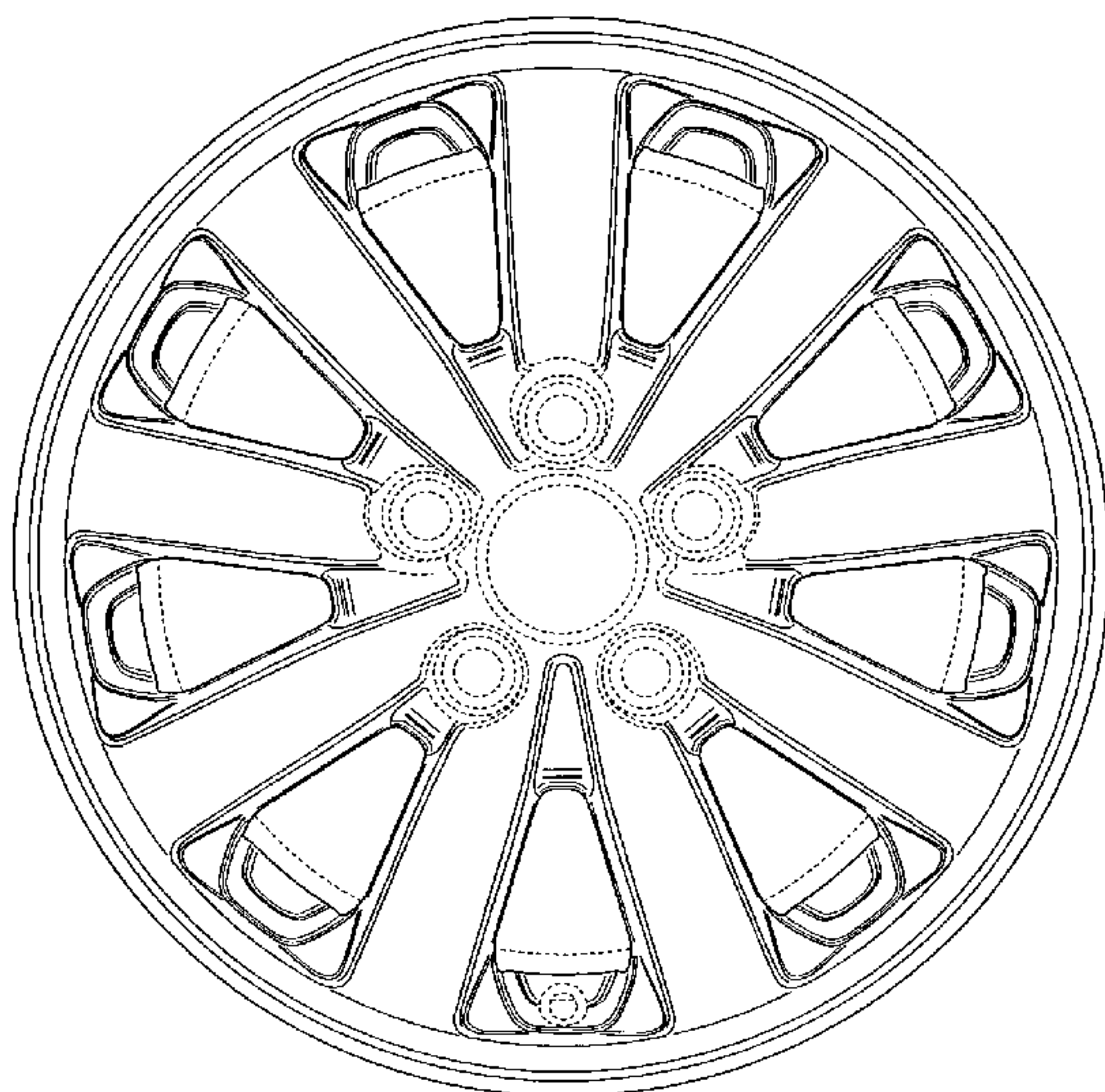


FIG.1

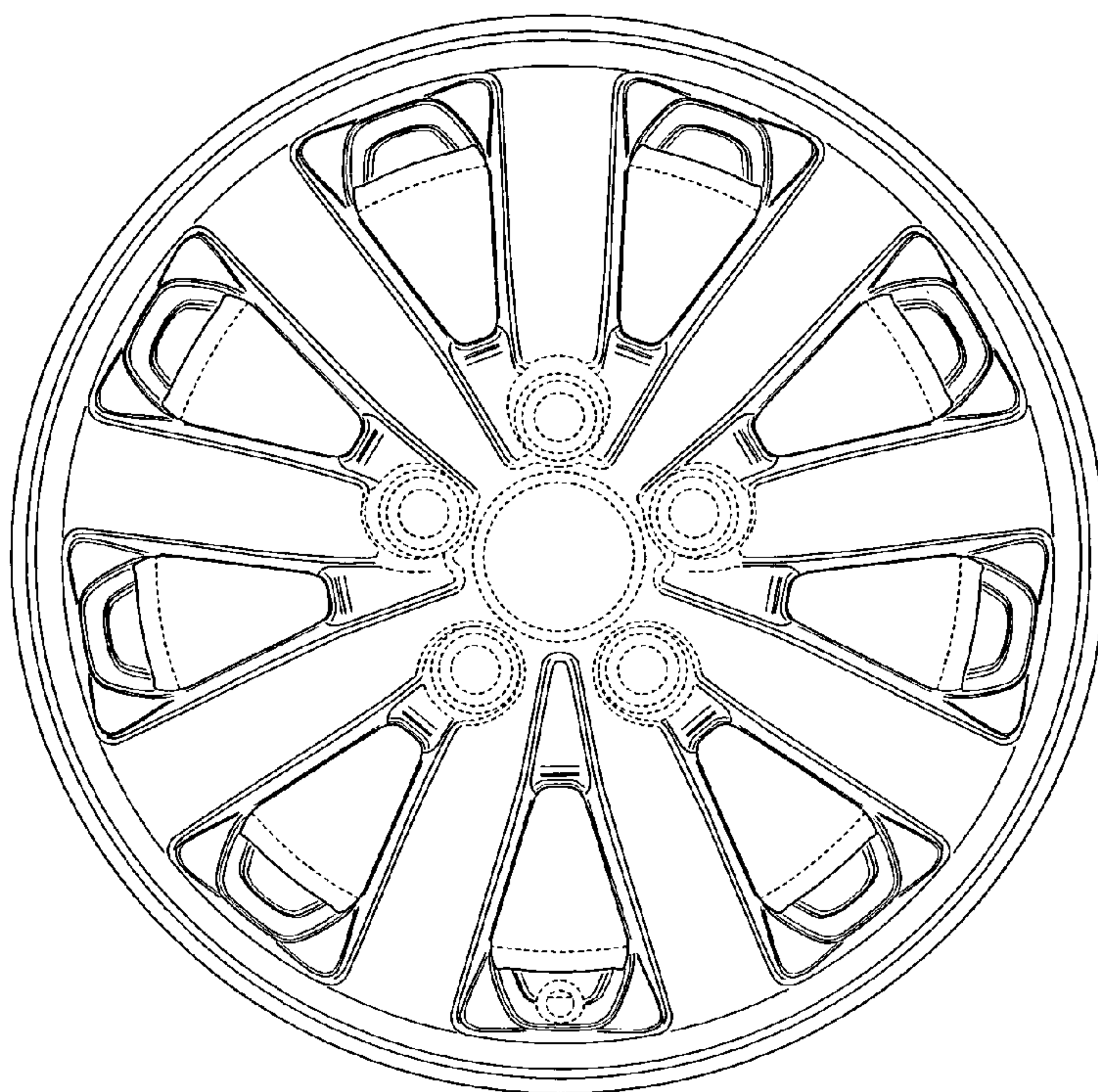


FIG.2

