



US00D578455S

(12) **United States Design Patent**  
**Pfeiffer**

(10) **Patent No.:** **US D578,455 S**

(45) **Date of Patent:** **\*\* Oct. 14, 2008**

(54) **FRONT FACE OF A VEHICLE WHEEL**

(75) Inventor: **Peter Pfeiffer**, Boeblingen (DE)

(73) Assignee: **Daimler AG**, Stuttgart (DE)

(\*\*) Term: **14 Years**

(21) Appl. No.: **29/287,587**

(22) Filed: **Aug. 24, 2007**

(30) **Foreign Application Priority Data**

Feb. 26, 2007 (EM) ..... 000677216-0003

(51) **LOC (8) Cl.** ..... **12-16**

(52) **U.S. Cl.** ..... **D12/211**

(58) **Field of Classification Search** ..... D12/204-213;  
301/37.101, 64.101, 65, 64.201

See application file for complete search history.

(56) **References Cited**

**U.S. PATENT DOCUMENTS**

D416,849 S *	11/1999	Weidhase	.....	D12/211
D438,503 S *	3/2001	Syring	.....	D12/211
D451,067 S *	11/2001	Frizzi	.....	D12/211
D472,865 S *	4/2003	Wechner	.....	D12/211
D493,404 S *	7/2004	Baum	.....	D12/211
D500,726 S *	1/2005	Hettler	.....	D12/211
D516,989 S *	3/2006	Baum	.....	D12/211

D516,990 S *	3/2006	Schweizer	.....	D12/211
D516,991 S *	3/2006	Guevara	.....	D12/211
D525,932 S *	8/2006	Hettler	.....	D12/211
D533,827 S *	12/2006	Aydin	.....	D12/211
D541,724 S *	5/2007	Gallert	.....	D12/211
D546,748 S *	7/2007	Young	.....	D12/211
D548,162 S *	8/2007	Baum	.....	D12/211
D558,117 S *	12/2007	Baum	.....	D12/211
D569,323 S *	5/2008	Laengerer	.....	D12/211

\* cited by examiner

*Primary Examiner*—Stacia Cadmus

(74) *Attorney, Agent, or Firm*—Crowell & Moring LLP

(57) **CLAIM**

The ornamental design for a front face of a vehicle wheel, as shown and described.

**DESCRIPTION**

FIG. 1 is a front view of a first embodiment of a front face of a vehicle wheel according to my novel design; and

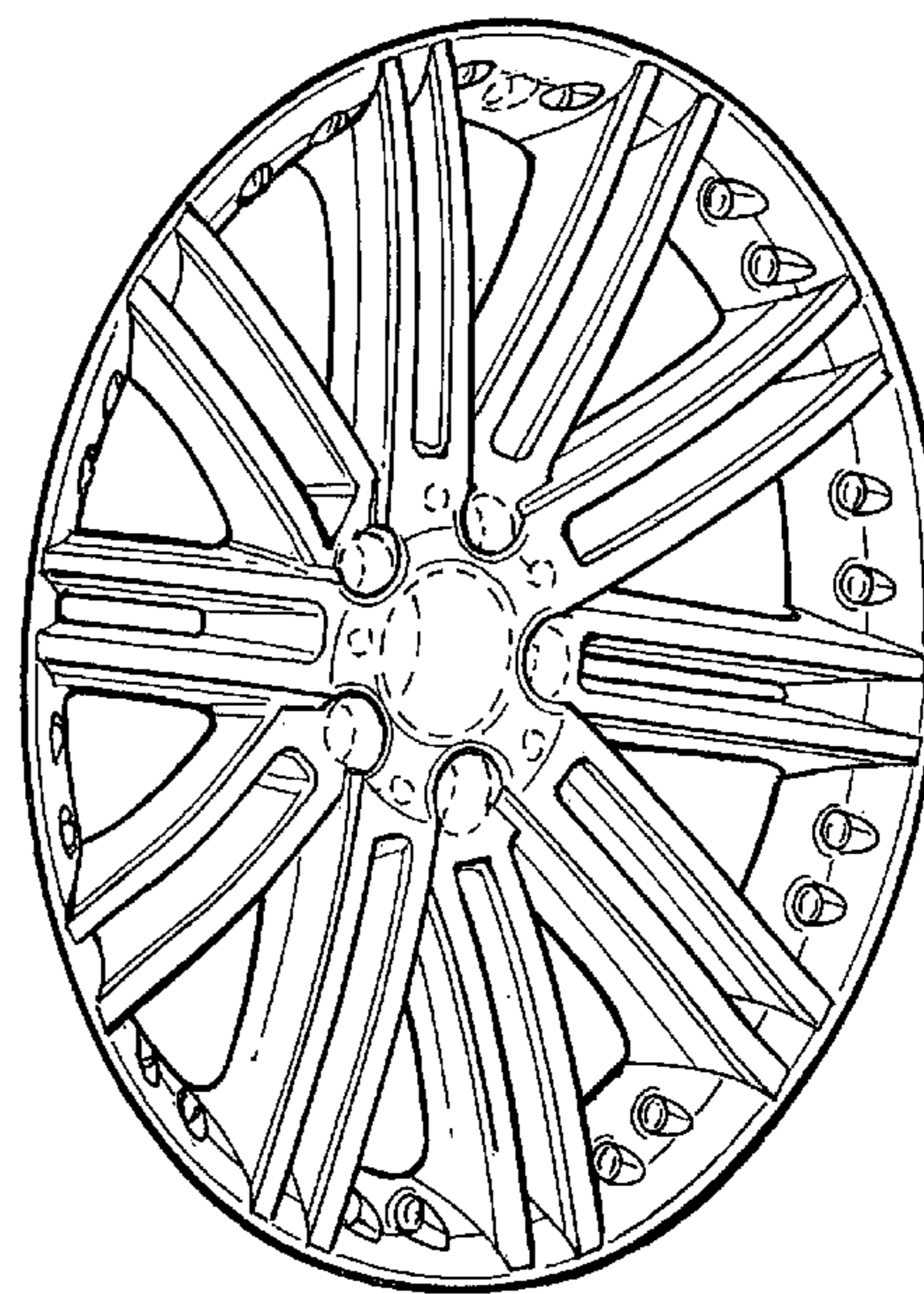
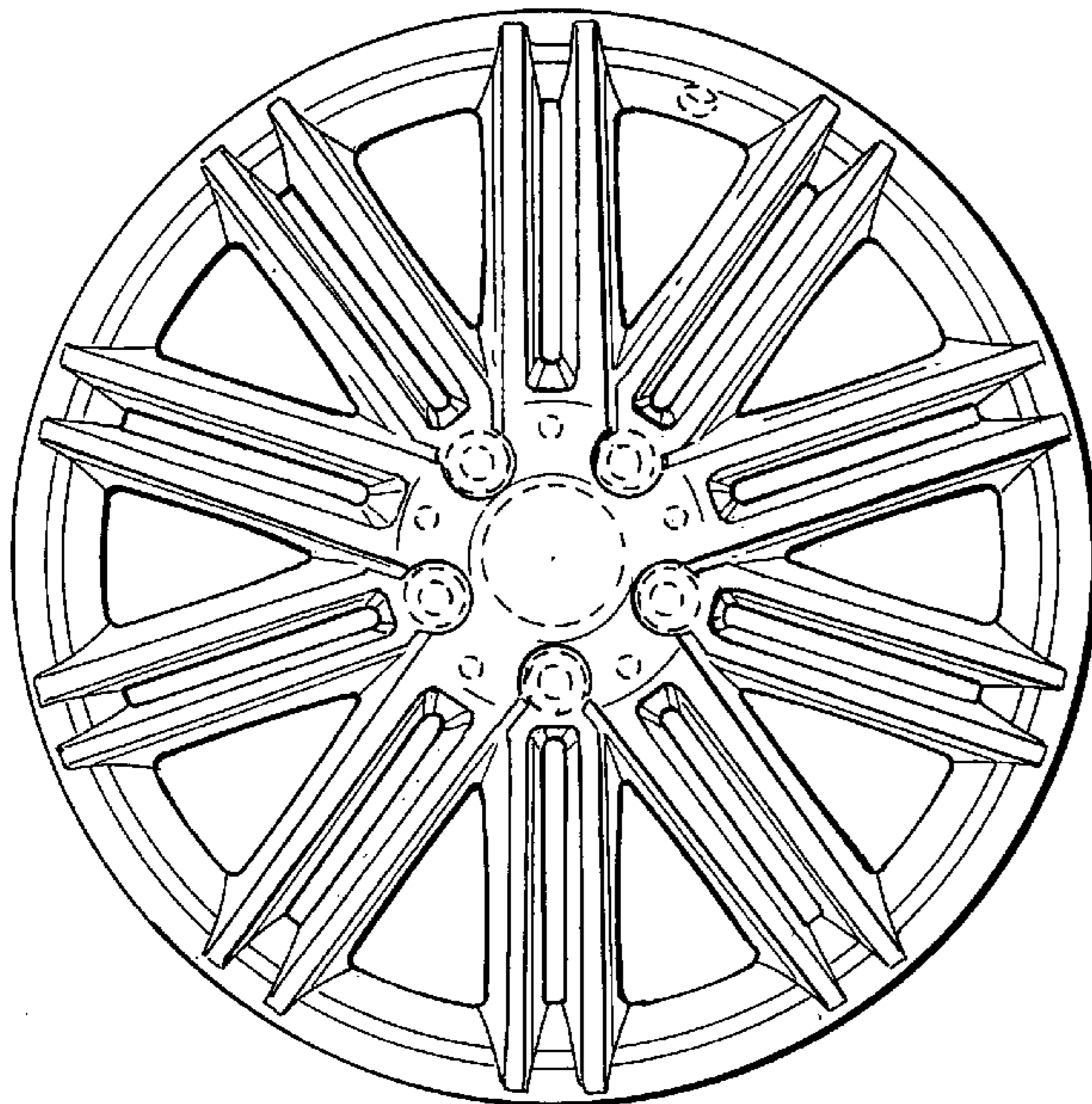
FIG. 2 is a perspective view thereof.

FIG. 3 is a front view of a second embodiment of the front face of a vehicle wheel according to my novel design; and,

FIG. 4 is a perspective view thereof.

The broken lines are for illustrative purposes only and form no part of the claimed design.

**1 Claim, 2 Drawing Sheets**



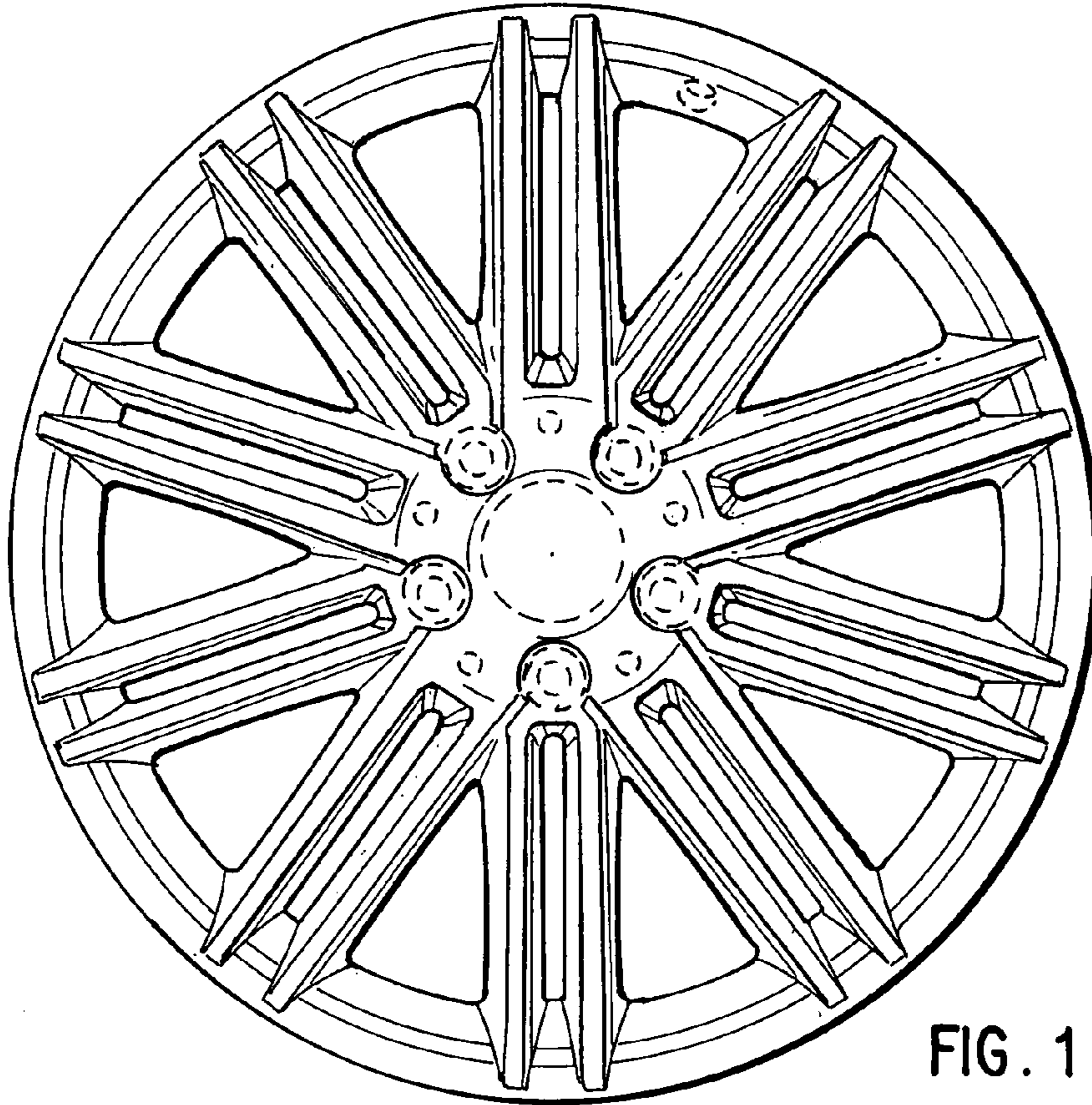


FIG. 1

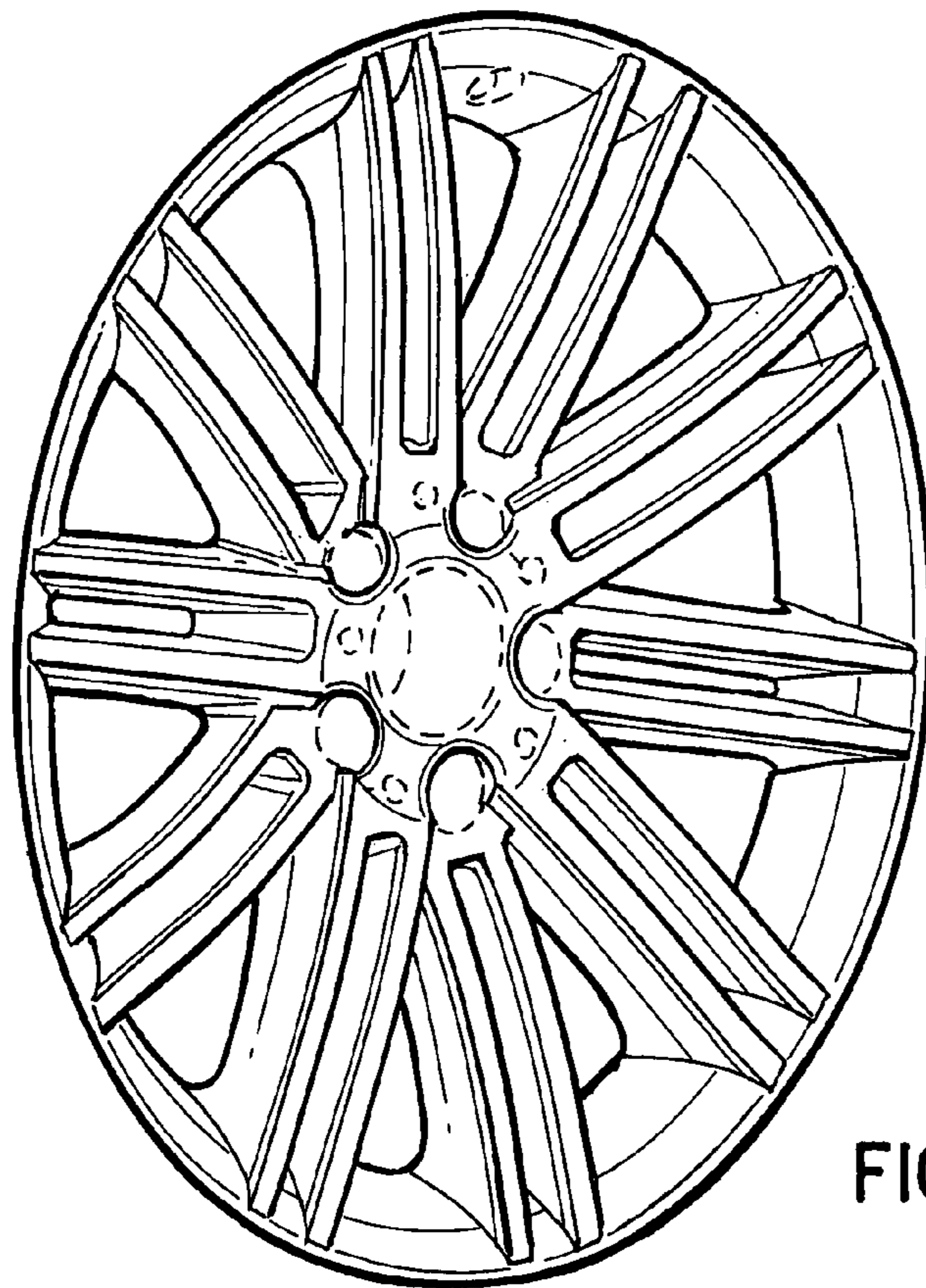


FIG. 2

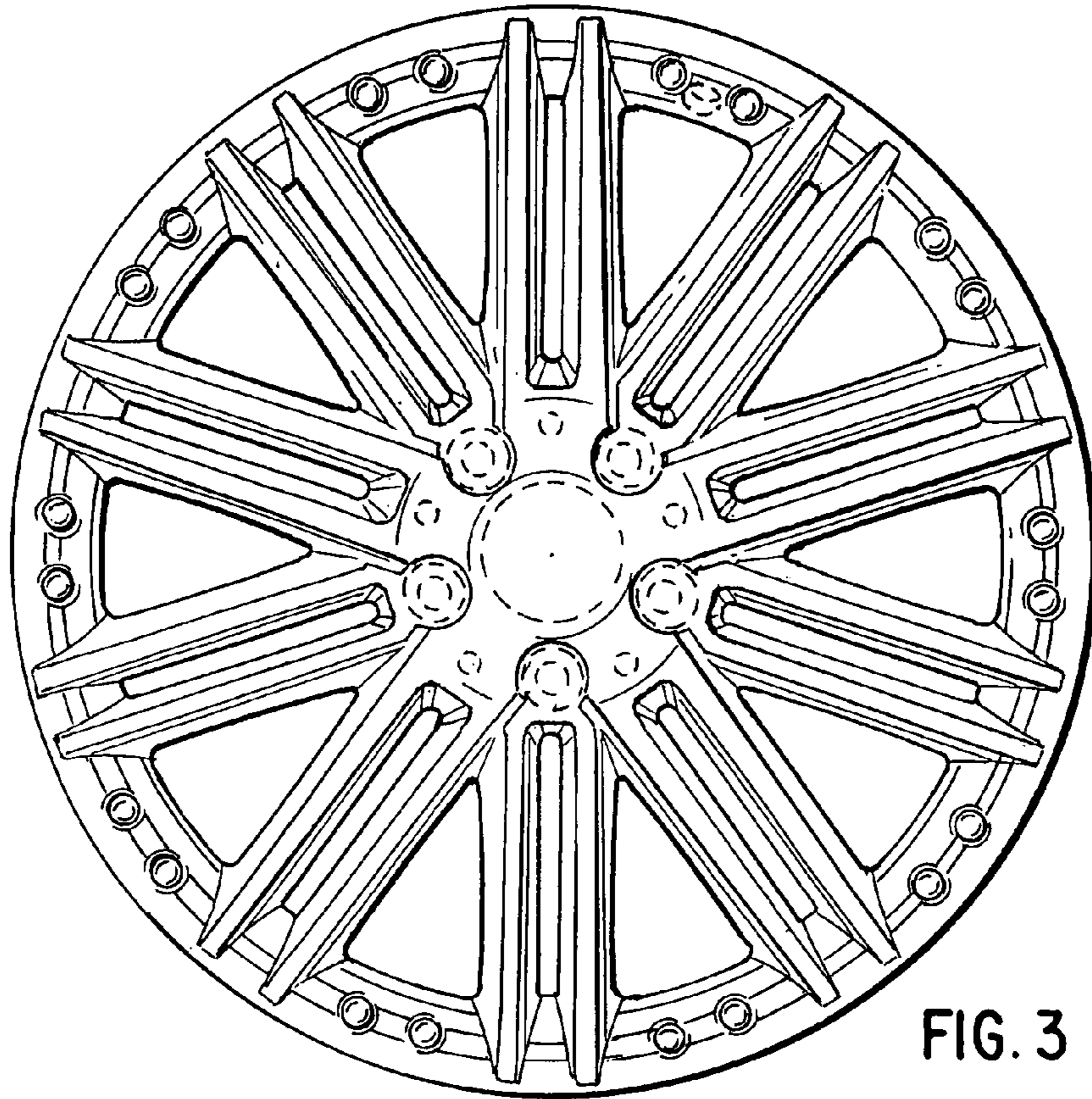


FIG. 3

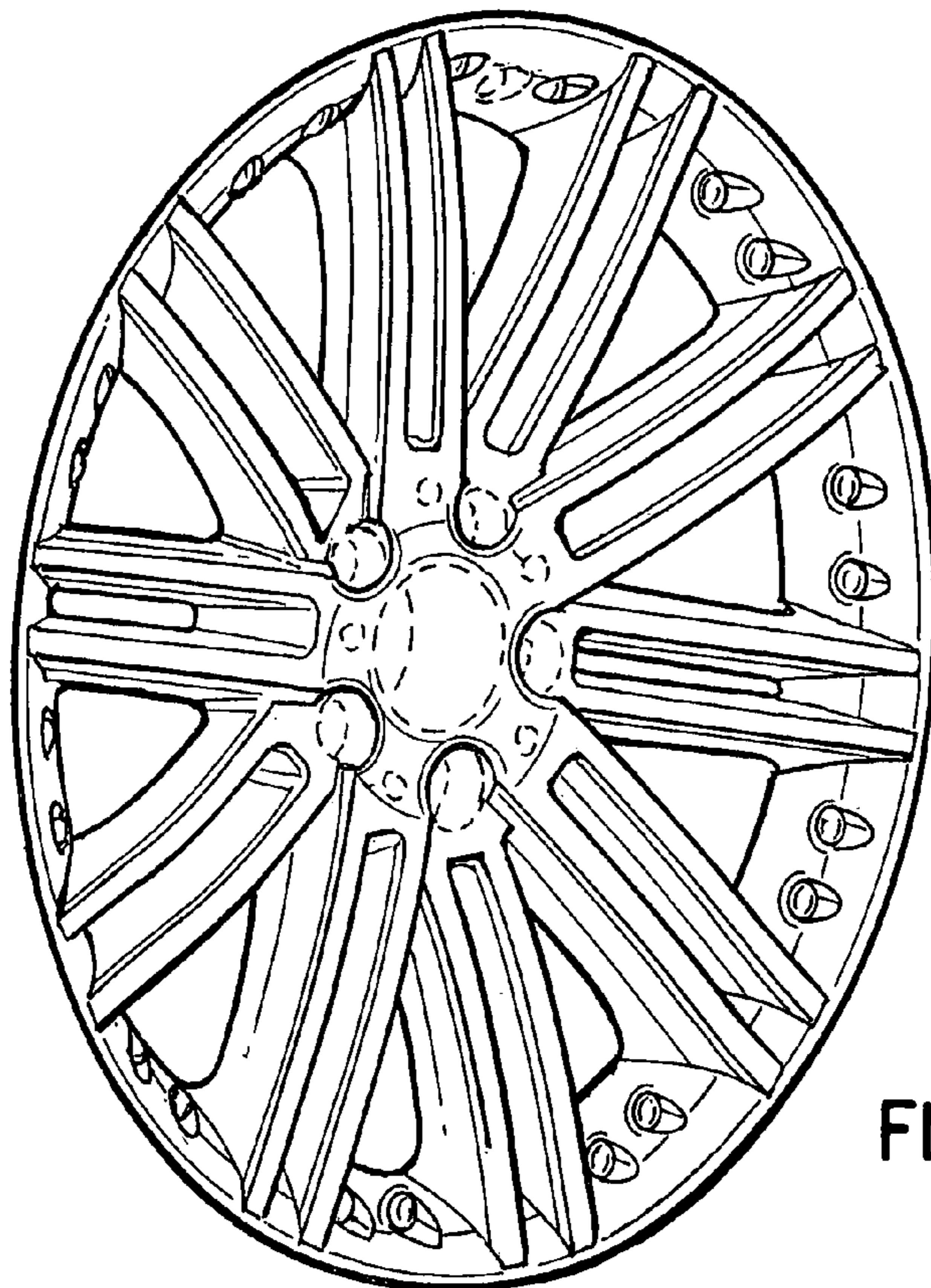


FIG. 4