



US00D578440S

(12) **United States Design Patent**
Giugiaro

(10) **Patent No.:** **US D578,440 S**
(45) **Date of Patent:** **** Oct. 14, 2008**

(54) **BICYCLE ASSEMBLY**

(75) Inventor: **Giorgetto Giugiaro**, Moncalieri-Turin (IT)

(73) Assignee: **Cemusa Corporacion Europea de Mobiliario Urbano, S.A.**, Madrid (ES)

(**) Term: **14 Years**

(21) Appl. No.: **29/286,920**

(22) Filed: **May 21, 2007**

(51) **LOC (8) Cl.** **12-11**

(52) **U.S. Cl.** **D12/111**

(58) **Field of Classification Search** D12/111, D12/110; 280/202, 274-280, 281.1, 288.1-288.4; 180/206, 220, 65.1-65.6, 205, 207, 219
See application file for complete search history.

(56) **References Cited**

U.S. PATENT DOCUMENTS

| | | | | | |
|-----------|------|---------|------------------|-------|-----------|
| D386,723 | S * | 11/1997 | Fujieda | | D12/110 |
| 5,798,702 | A * | 8/1998 | Okamoto et al. | | 340/636.1 |
| 5,857,537 | A * | 1/1999 | Matsumoto et al. | | 180/206 |
| D414,721 | S * | 10/1999 | Nakamura | | D12/111 |
| 6,039,137 | A * | 3/2000 | Schless | | 180/220 |
| 6,260,649 | B1 * | 7/2001 | Carney, Jr. | | 180/220 |
| 6,418,041 | B1 * | 7/2002 | Kitamura | | 363/125 |
| 7,165,641 | B2 * | 1/2007 | Kitamura | | 180/206 |

FOREIGN PATENT DOCUMENTS

| | | |
|----|---------|--------|
| EP | K593686 | 9/2006 |
| EP | K593702 | 9/2006 |
| EP | K651435 | 1/2007 |
| EP | K688270 | 3/2007 |
| EP | K715248 | 4/2007 |
| EP | K715255 | 4/2007 |
| EP | K715263 | 4/2007 |
| EP | K715271 | 4/2007 |
| EP | K745567 | 4/2007 |
| EP | K722111 | 5/2007 |
| EP | K722152 | 5/2007 |
| EP | K722178 | 5/2007 |

| | | |
|----|---------|--------|
| EP | K722194 | 5/2007 |
| EP | K732177 | 5/2007 |
| EP | K732185 | 5/2007 |

OTHER PUBLICATIONS

U.S. Design Appl. No. 29/285,194, filed Mar. 22, 2007, Miranda, Advertising Panel Assembly.
 U.S. Design Appl. No. 29/285,195, filed Mar. 22, 2007, Giugiaro, Information/Dispenser Station.
 U.S. Design Appl. No. 29/285,196, filed Mar. 22, 2007, Giugiaro, Advertising Panel Assembly.
 U.S. Design Appl. No. 29/285,197, filed Mar. 22, 2007, Miranda et al., Advertising Panel Assembly.
 U.S. Design Appl. No. 29/285,198, filed Mar. 22, 2007, Guigiaro, Advertising Panel Assembly.
 U.S. Design Appl. No. 29/285,206, filed Mar. 22, 2007, Guigiaro, Information Station.
 U.S. Design Appl. No. 29/289,228, filed Jul. 11, 2007, King et al., Bus Shelter Assembly.
 U.S. Design Appl. No. 29/289,229, filed Jul. 11, 2007, Rogers, Bus Shelter Assembly.

(Continued)

Primary Examiner—Cathron Brooks
Assistant Examiner—Linda Brooks
 (74) *Attorney, Agent, or Firm*—Kenyon & Kenyon LLP

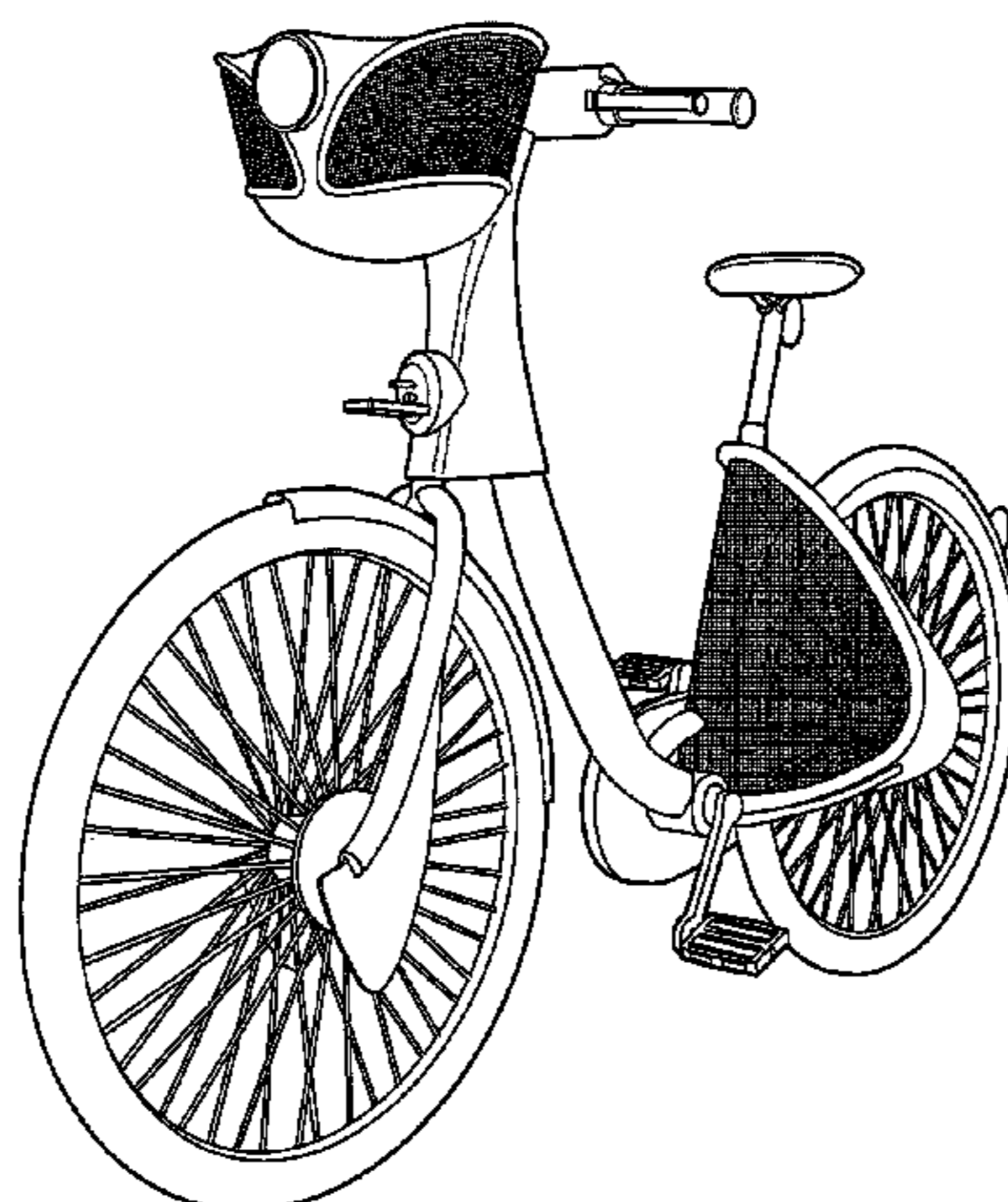
(57) **CLAIM**

The ornamental design for a bicycle assembly, as shown and described.

DESCRIPTION

FIG. 1 is a front perspective view of a bicycle assembly showing my new design.
 FIG. 2 is a left side view thereof.
 FIG. 3 is a bottom view thereof.
 FIG. 4 is a front view thereof.
 FIG. 5 is a right side view thereof.
 FIG. 6 is a top view thereof; and,
 FIG. 7 is a backside view thereof.

1 Claim, 7 Drawing Sheets



OTHER PUBLICATIONS

- U.S. Design Appl. No. 29/289,243, filed Jul. 11, 2007, Giugiaro, Bus Shelter Assembly.
- U.S. Design Appl. No. 29/289,248, filed Jul. 11, 2007, Rogers, Bus Shelter Assembly.
- U.S. Design Appl. No. 29/289,249, filed Jul. 11, 2007, Pensi, Bus Shelter Assembly.
- U.S. Design Appl. No. 29/291,775, filed Sep. 13, 2007, Piantanida, Information/Advertising Panel Assembly.
- U.S. Design Appl. No. 29/291,776, filed Sep. 13, 2007, Martinez Lapeña et al., Information/Advertising Panel Assembly.
- U.S. Design Appl. No. 29/291,777, filed Sep. 13, 2007, Giugiaro, Information/Advertising Panel Assembly.
- U.S. Design Appl. No. 29/291,778, filed Sep. 13, 2007, Grimshaw, Information/Advertising Panel Assembly.
- U.S. Design Appl. No. 29/291,779, filed Sep. 13, 2007, Giugiaro, Information/Advertising Panel Assembly.
- U.S. Design Appl. No. 29/291,780, filed Sep. 13, 2007, King et al., Information/Advertising Panel Assembly.
- U.S. Design Appl. No. 29/291,781, filed Sep. 13, 2007, Grimshaw, Information/Advertising Panel Assembly.
- U.S. Design Appl. No. 29/291,784, filed Sep. 13, 2007, King et al., Information/Advertising Panel Assembly.
- U.S. Design Appl. No. 29/291,788, filed Sep. 13, 2007, Grimshaw, Information/Advertising Panel Assembly.
- U.S. Design Appl. No. 29/291,789, filed Sep. 13, 2007, Pensi, Information/Advertising Panel Assembly.
- U.S. Design Appl. No. 29/291,790, filed Sep. 13, 2007, Martinez Lapeña et al., Information/Advertising Panel Assembly.
- U.S. Design Appl. No. 29/291,791, filed Sep. 13, 2007, Grimshaw, Advertising Panel Assembly.
- U.S. Design Appl. No. 29/291,797, filed Sep. 13, 2007, Grimshaw, Information/Advertising Panel Assembly.
- U.S. Design Appl. No. 29/291,798, filed Sep. 13, 2007, Rogers, Information/Advertising Panel Assembly.
- U.S. Design Appl. No. 29/291,799, filed Sep. 13, 2007, Rogers, Information/Advertising Panel and/or Seating Assembly.
- U.S. Design Appl. No. 29/291,800, filed Sep. 13, 2007, Beloqui Information/Advertising Panel Assembly.
- U.S. Design Appl. No. 29/291,801, filed Sep. 13, 2007, Rogers, Information/Advertising Panel Assembly.
- U.S. Design Appl. No. 29/291,813, filed Sep. 13, 2007, Piantanida, Information/Advertising Panel Assembly.
- U.S. Design Appl. No. 29/291,814, filed Sep. 13, 2007, King et al., Information/Advertising Panel Assembly.
- U.S. Design Appl. No. 29/291,815, filed Sep. 13, 2007, Grimshaw, Information/Advertising Panel Assembly.
- U.S. Design Appl. No. 29/291,816, filed Sep. 13, 2007, Grimshaw, Information/Advertising Panel Assembly.
- U.S. Design Appl. No. 29/291,817, filed Sep. 13, 2007, Niemeyer, Information/Advertising Panel Assembly.
- U.S. Design Appl. No. 29/291,818, filed Sep. 13, 2007, Grimshaw, Information/Advertising Panel Assembly.
- U.S. Design Appl. No. 29/291,820, filed Sep. 13, 2007, Pensi, Information/Advertising Panel Assembly.
- U.S. Design Appl. No. 29/291,824, filed Sep. 13, 2007, King et al., Information/Advertising Panel Assembly.
- U.S. Design Appl. No. 29/292,582, filed Oct. 16, 2007 Raynaud, Information/Advertising Panel Assembly.
- U.S. Design Appl. No. 29/292,742, filed Oct. 26, 2007 Martinez Lapeña et al., Recycling-Area Assembly.
- U.S. Design Appl. No. 29/292,744, filed Oct. 26, 2007 Grimshaw, Bicycle Parking Assembly.
- U.S. Design Appl. No. 29/292,745, filed Oct. 26, 2007 Grimshaw, Booth Assembly.
- U.S. Design Appl. No. 29/292,755, filed Oct. 26, 2007 Grimshaw, Fence/Assembly.
- U.S. Design Appl. No. 29/292,882, filed Oct. 30, 2007 Grimshaw, Public Restroom.
- U.S. Design Appl. No. 29/292,901, filed Oct. 30, 2007 Moncho, Bin Assembly.
- U.S. Appl. No. 29/292,902, filed Oct. 30, 2007, Giugiaro, Bollard/Fastening-Post Assembly.
- U.S. Appl. No. 29/292,903 filed Oct. 30, 2007, King et al., Recycling Bin.
- U.S. Appl. No. 29/292,904, filed Oct. 30, 2007, Pensi et al., Seating Assembly.
- U.S. Appl. No. 29/292,905, filed Oct. 30, 2007, Moncho, News Stand Assembly.
- U.S. Appl. No. 29/292,906, filed Oct. 30, 2007, Grimshaw., Information/Advertising Panel Assembly.

* cited by examiner

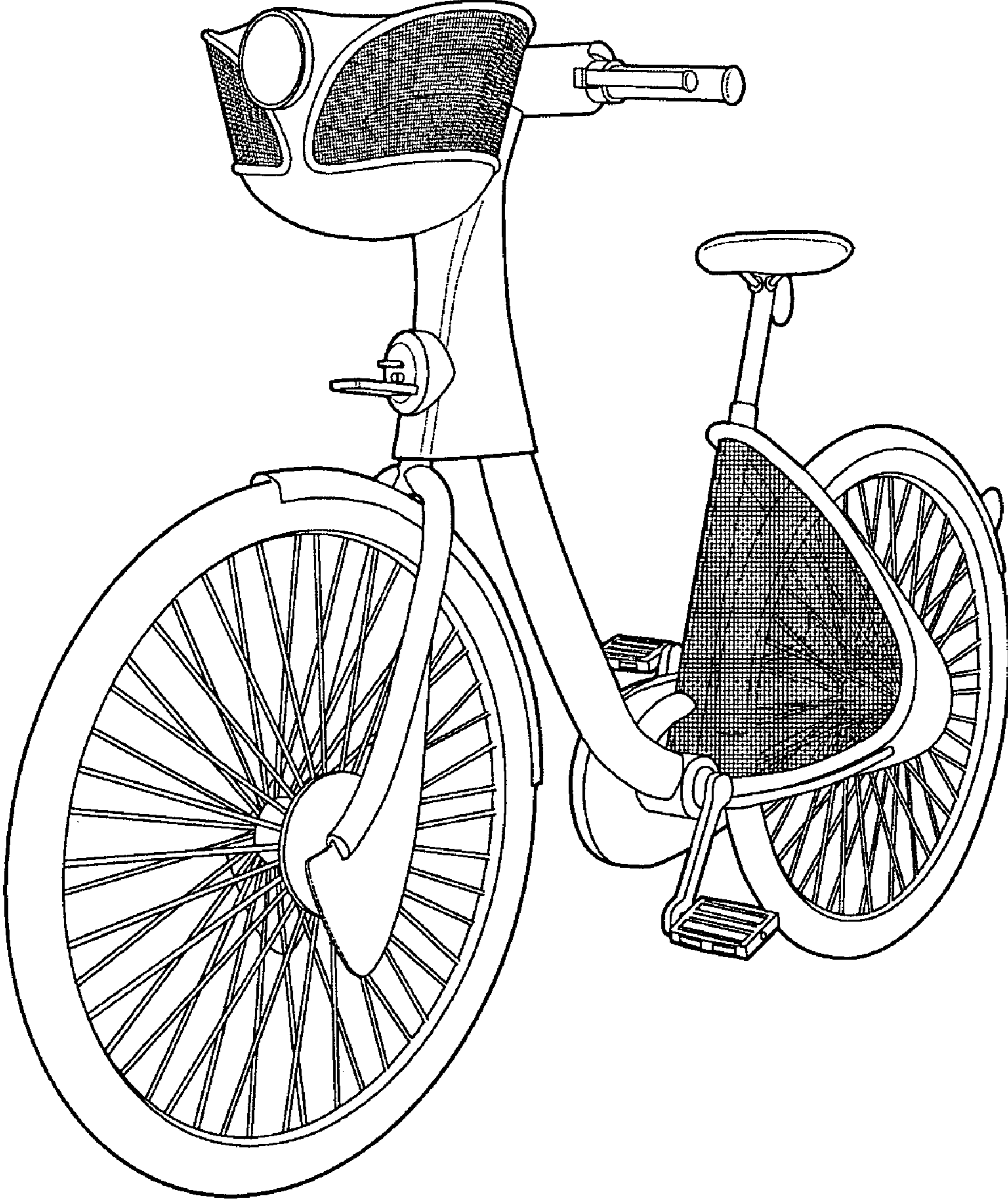


FIG. 1

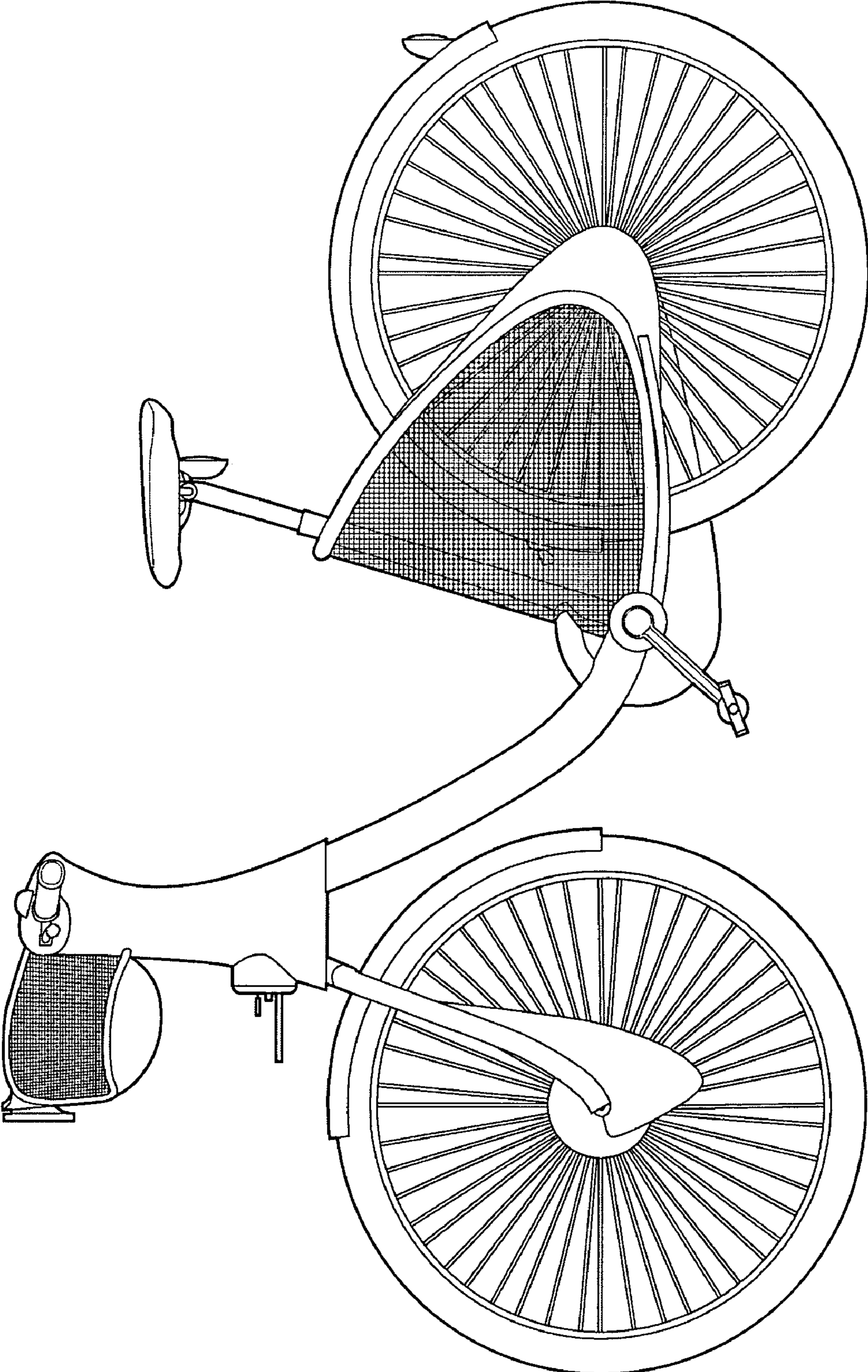


FIG. 2

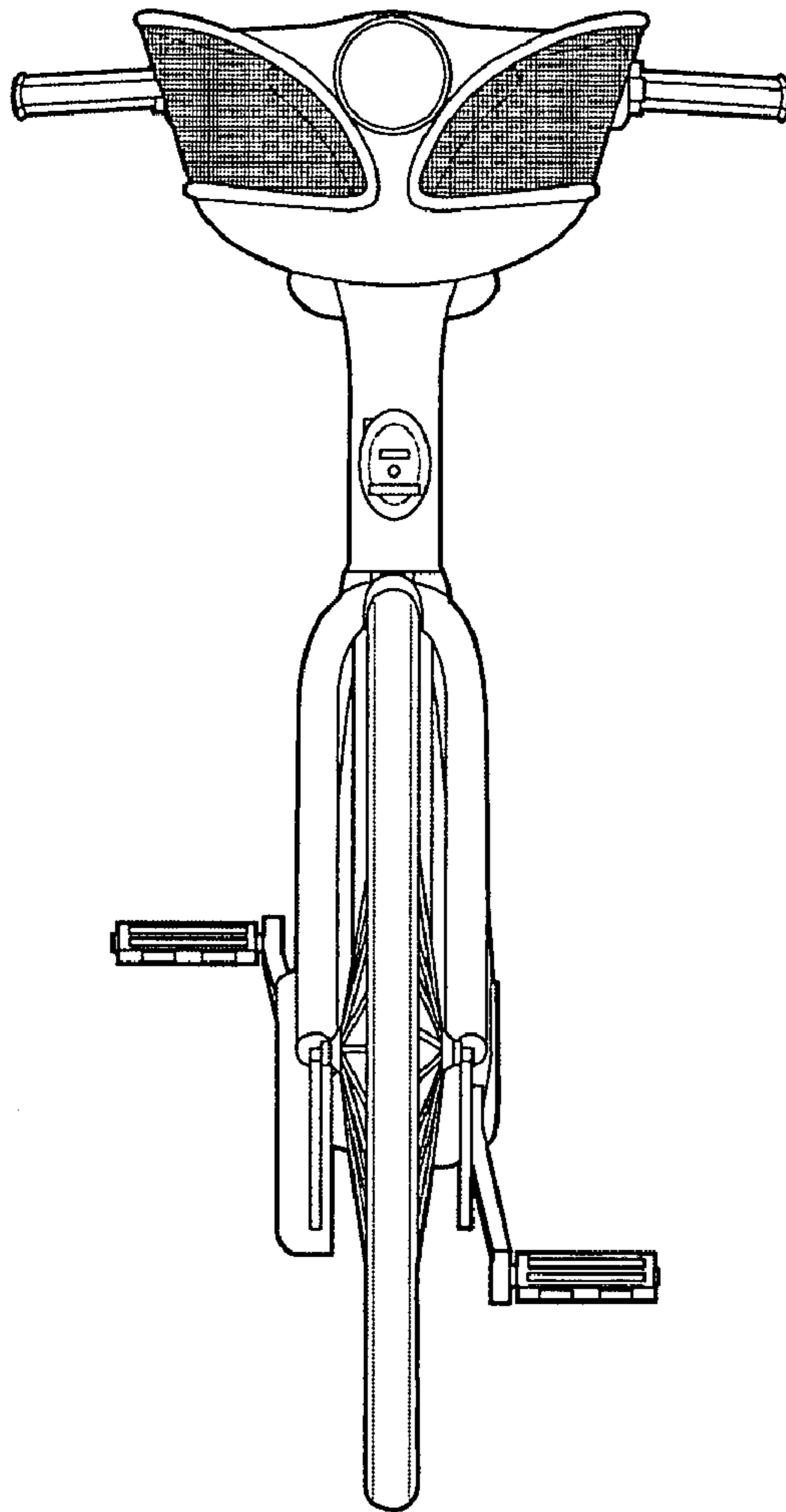


FIG. 4

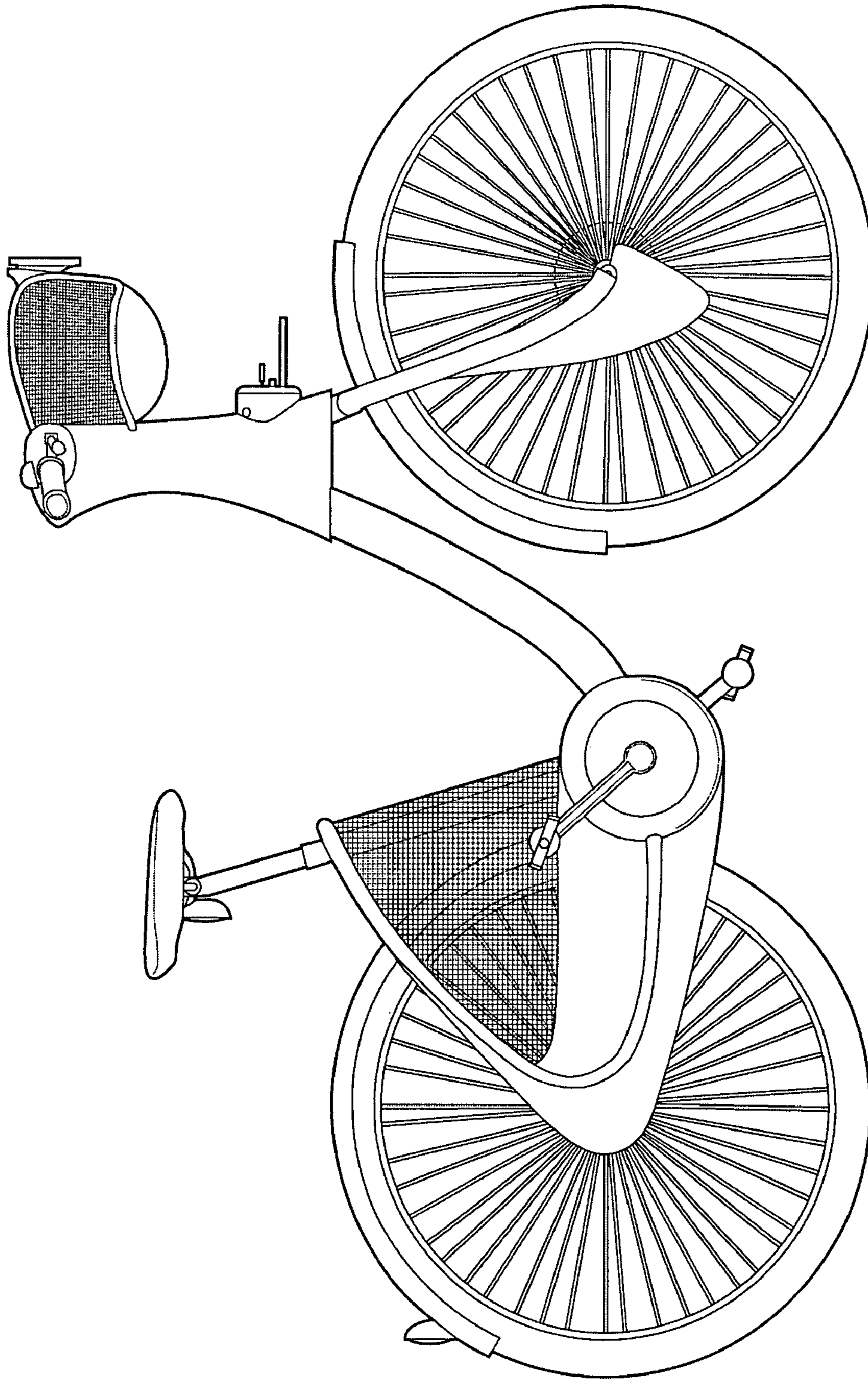


FIG. 5

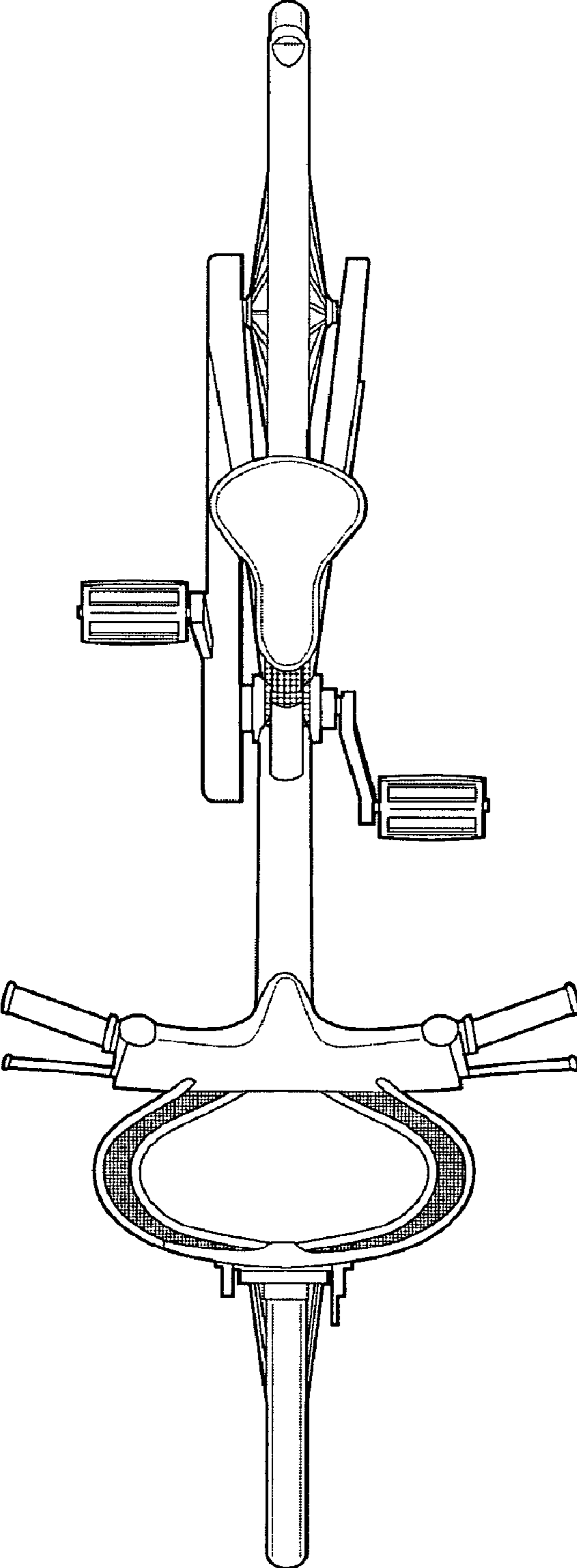


FIG. 6

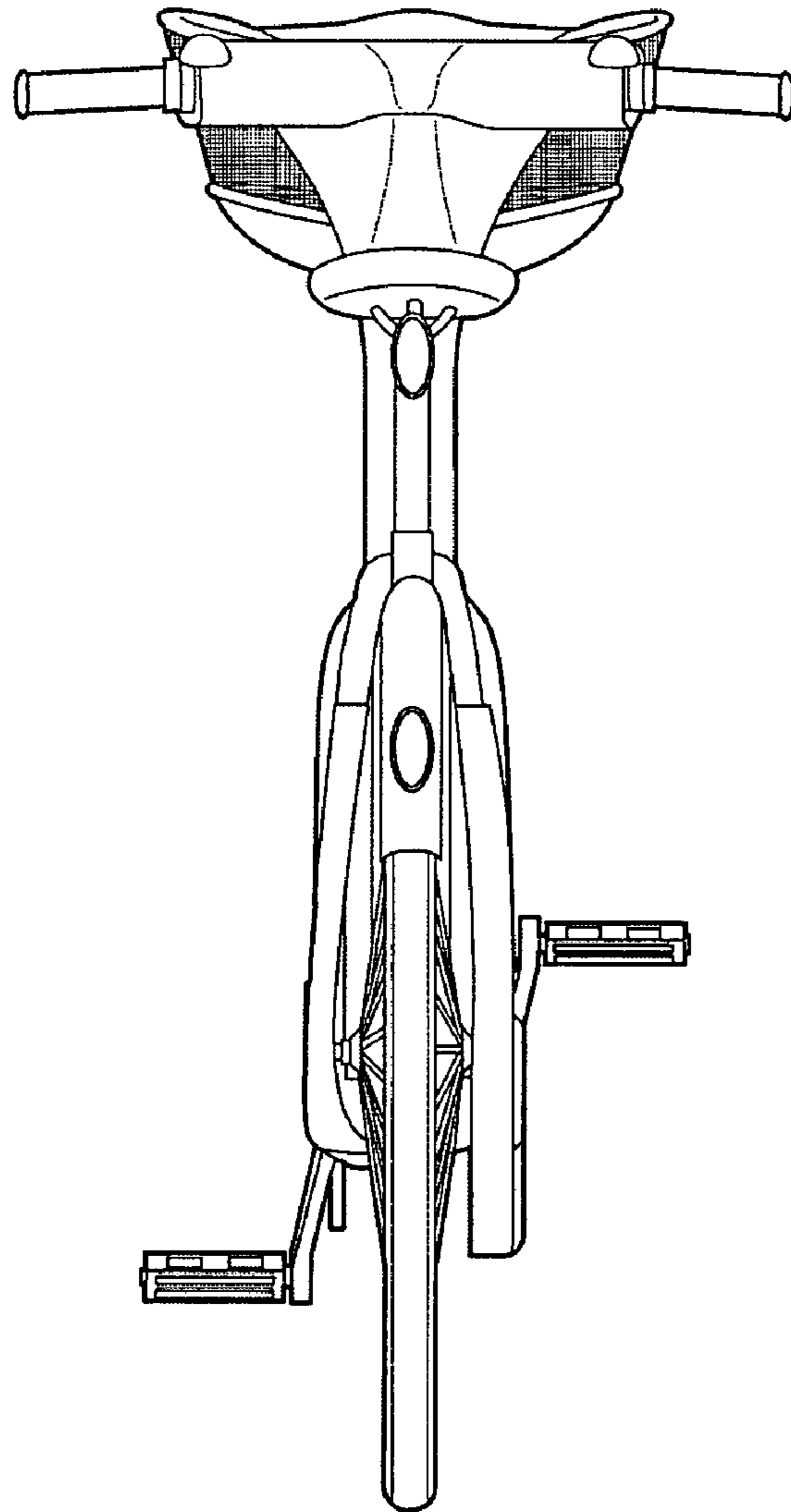


FIG. 7