



US00D578437S

(12) **United States Design Patent**  
**Nishihata et al.**

(10) **Patent No.:** **US D578,437 S**

(45) **Date of Patent:** **\*\* Oct. 14, 2008**

(54) **AUTOMOBILE AND/OR REPLICA THEREOF**

(75) Inventors: **Saburo Nishihata, Wako (JP); Tamotsu Okamoto, Wako (JP); Kazuyuki Watabe, Wako (JP)**

(73) Assignee: **Honda Motor Co., Ltd., Tokyo (JP)**

(\*\*) Term: **14 Years**

(21) Appl. No.: **29/274,707**

(22) Filed: **May 17, 2007**

(30) **Foreign Application Priority Data**

Nov. 20, 2006 (JP) ..... 2006-031680

(51) **LOC (8) Cl.** ..... **12-08**

(52) **U.S. Cl.** ..... **D12/91**

(58) **Field of Classification Search** ..... D12/86,  
D12/90-92; 296/181.1, 181.5

See application file for complete search history.

(56) **References Cited**

**U.S. PATENT DOCUMENTS**

- D525,171 S \* 7/2006 Fukuda et al. .... D12/91
- D525,562 S \* 7/2006 Yagi et al. .... D12/91
- D528,473 S \* 9/2006 Hara et al. .... D12/91
- D528,474 S \* 9/2006 Hara et al. .... D12/91
- D528,944 S \* 9/2006 Hara et al. .... D12/91
- D530,241 S \* 10/2006 Sawai et al. .... D12/91
- D531,934 S \* 11/2006 Nagura et al. .... D12/90

- D554,562 S \* 11/2007 Adams et al. .... D12/91
- D567,713 S \* 4/2008 Ohishi et al. .... D12/91
- D568,210 S \* 5/2008 Ohishi et al. .... D12/91

**FOREIGN PATENT DOCUMENTS**

KR 30-0356172 S 7/2004

\* cited by examiner

*Primary Examiner*—Melody N Brown

(74) *Attorney, Agent, or Firm*—Birch, Stewart, Kolasch & Birch, LLP.

(57) **CLAIM**

The ornamental design for an automobile and/or replica thereof, as shown and described.

**DESCRIPTION**

FIG. 1 is a perspective view of an automobile and/or replica thereof.

FIG. 2 is a perspective view thereof.

FIG. 3 is a front elevation view thereof.

FIG. 4 is a rear elevation view thereof.

FIG. 5 is a top plan view thereof.

FIG. 6 is a right side elevation view thereof; and,

FIG. 7 is a left side elevation view thereof.

The portion of the article shown in broken lines is for illustrative purpose only and forms no part of the claimed design.

**1 Claim, 7 Drawing Sheets**

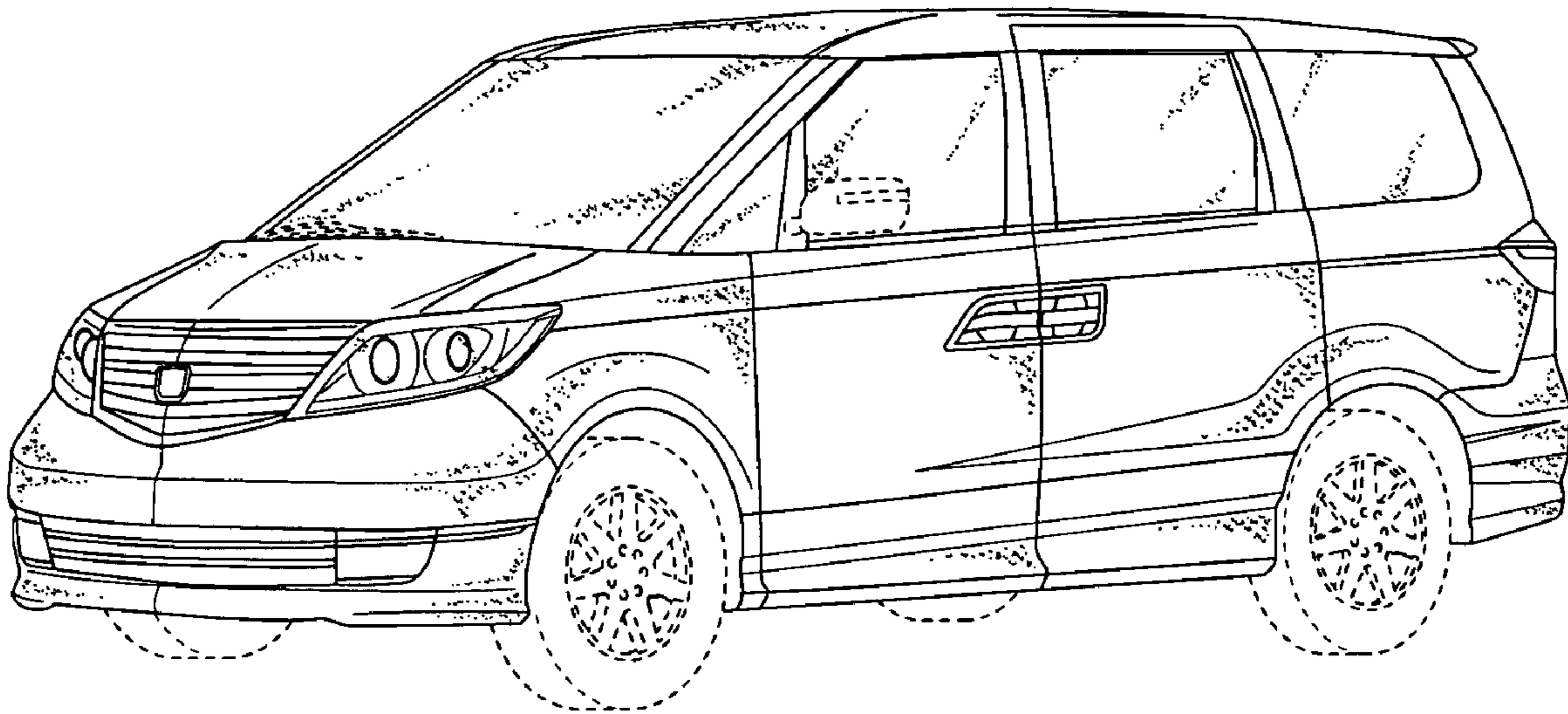


FIG. 1

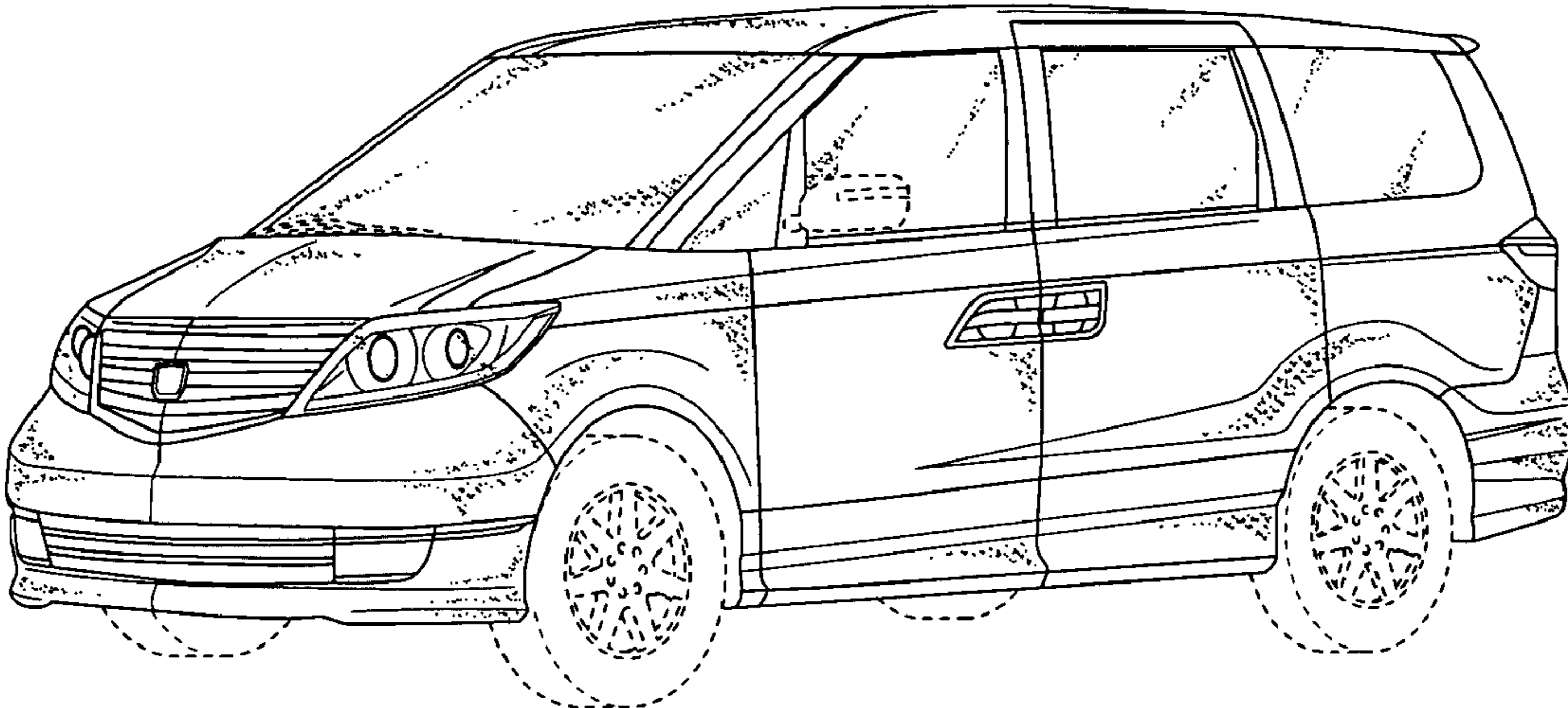


FIG. 2

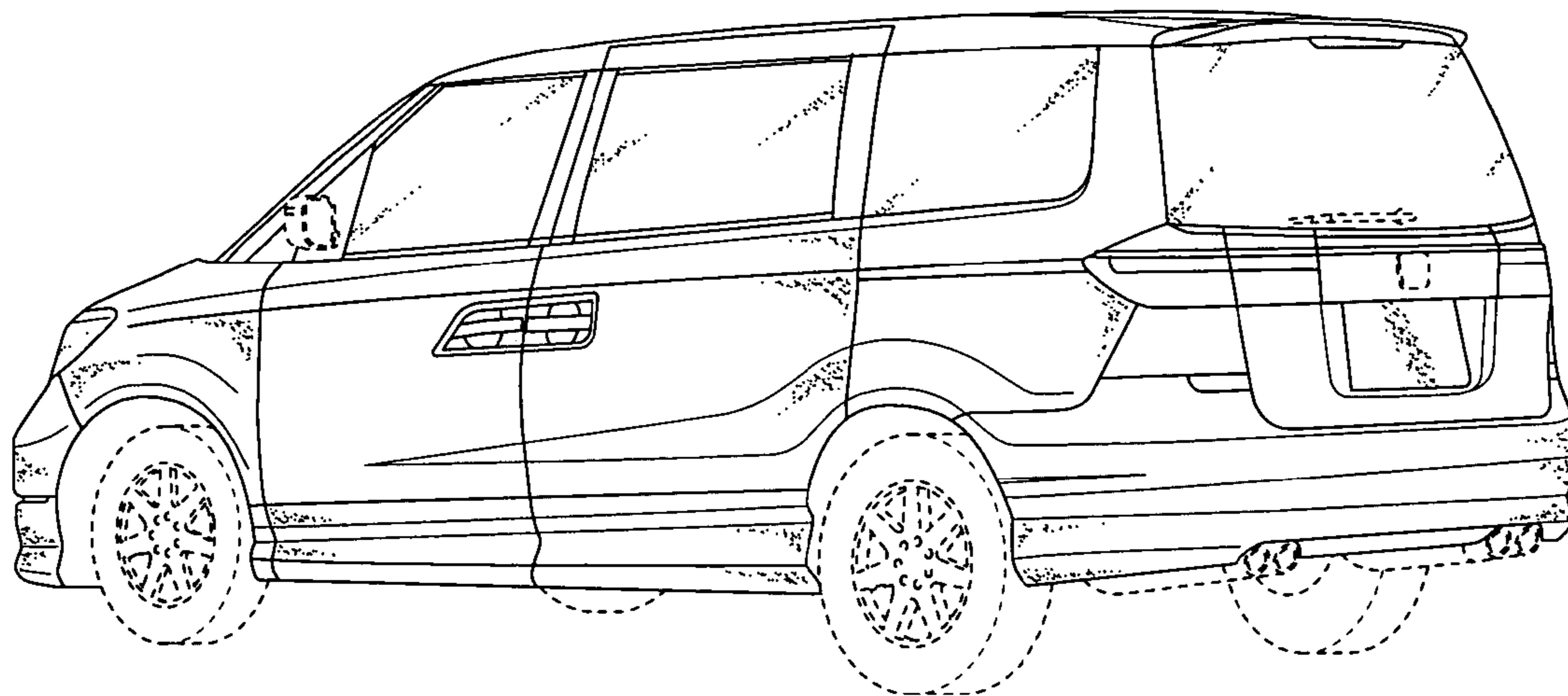


FIG. 3

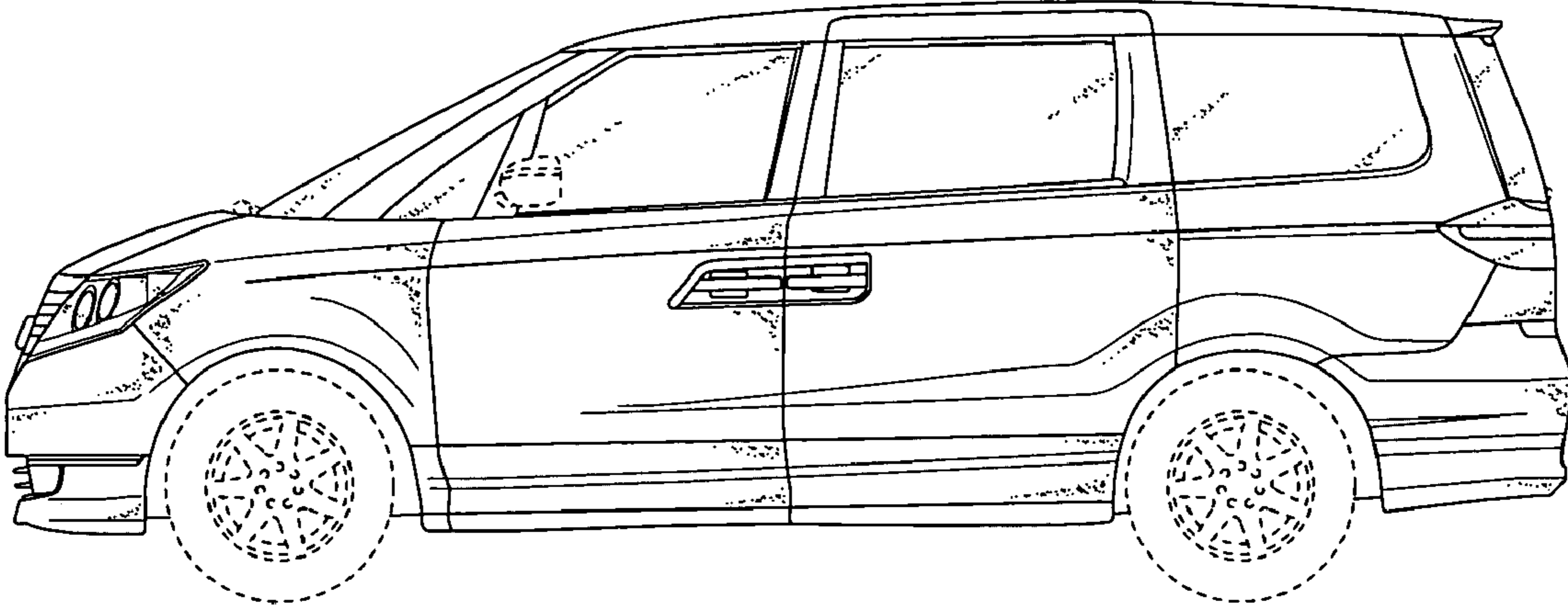


FIG. 4

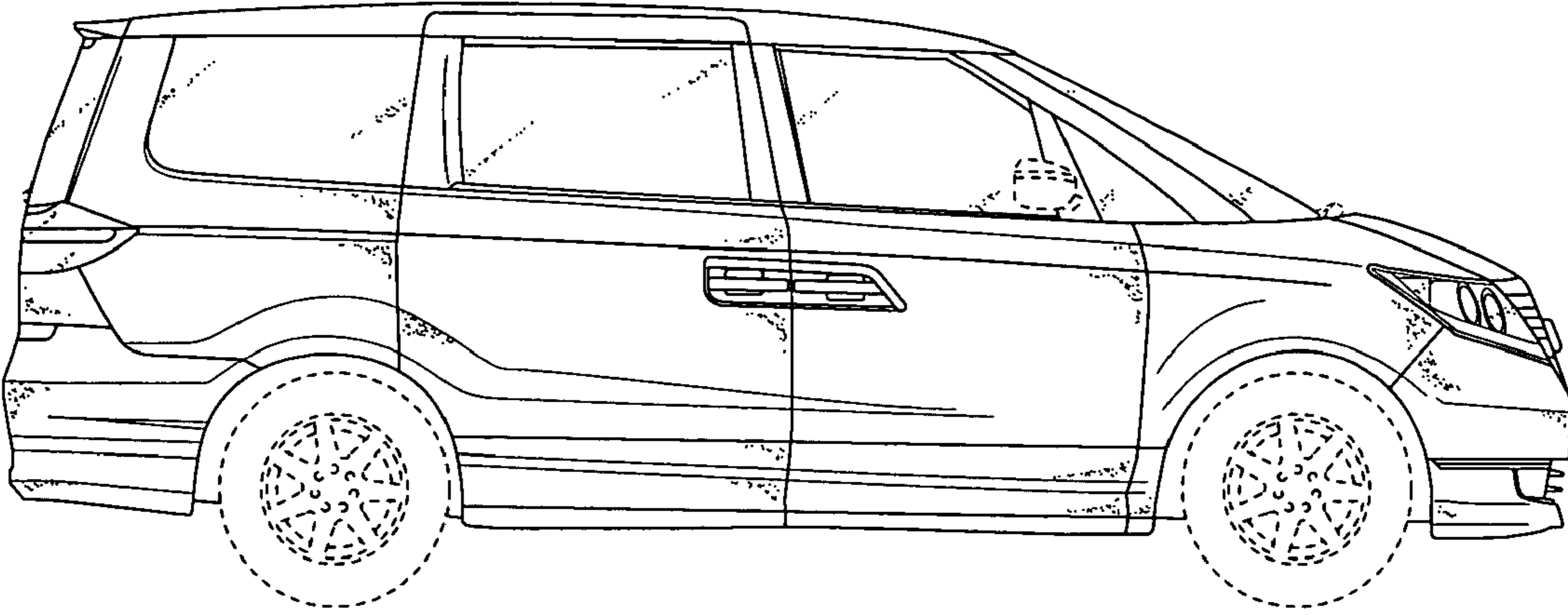
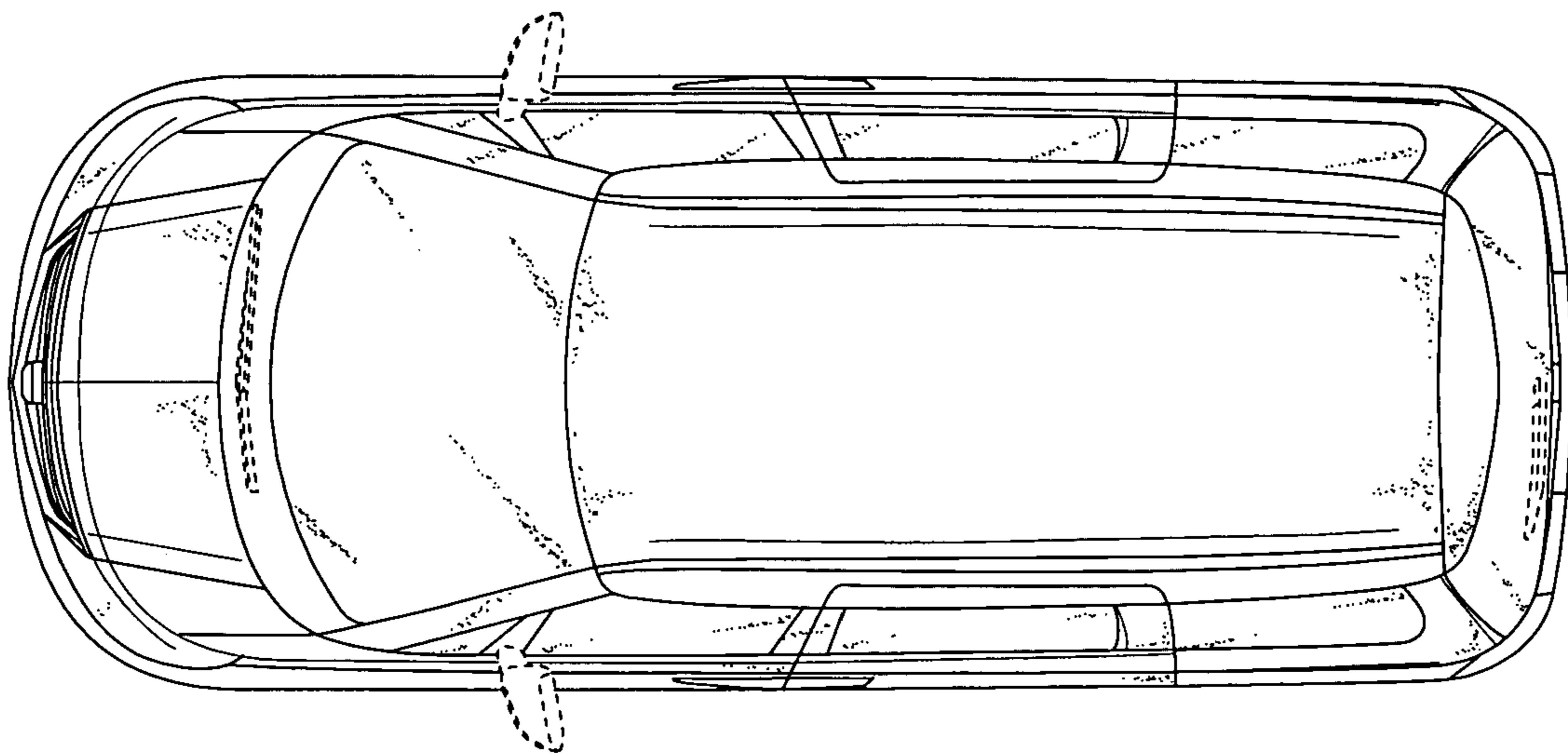


FIG. 5



# FIG. 6

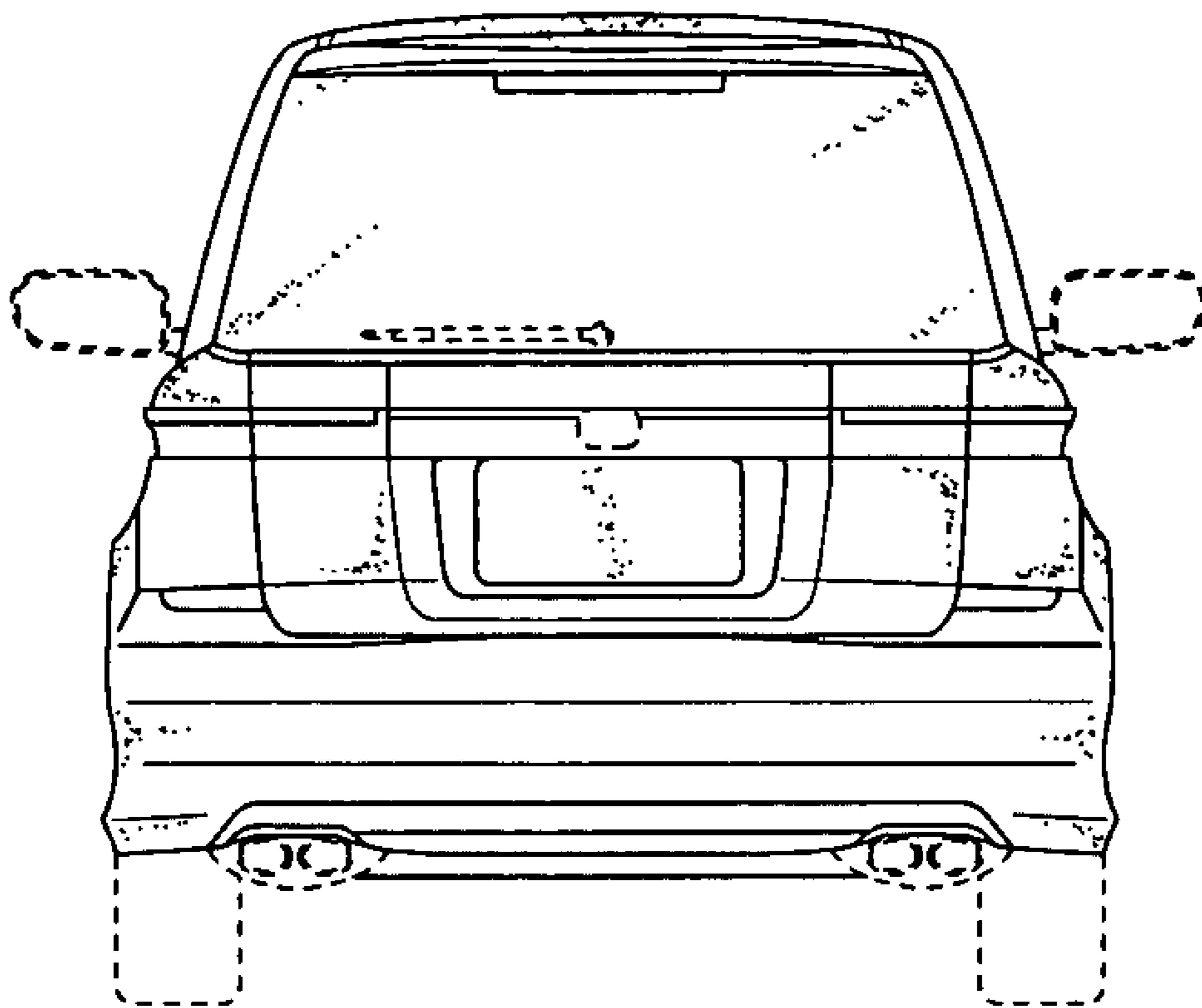


FIG. 7

