



US00D578435S

(12) **United States Design Patent**
Bryant et al.

(10) **Patent No.:** **US D578,435 S**
(45) **Date of Patent:** **** Oct. 14, 2008**

(54) **PORTION OF AN OFF-HIGHWAY TRUCK**

(75) Inventors: **Gary C. Bryant**, Chillicothe, IL (US);
John J. Maas, Mount Zion, IL (US);
Colton T. Anderson, Chillicothe, IL
(US); **Kevin F. Stremlau**, Peoria, IL
(US); **Brian R. Janes**, Chillicothe, IL
(US); **Ryan D. Looper**, Mt. Zion, IL
(US)

5,476,285 A * 12/1995 Dickerson 280/781
5,520,442 A * 5/1996 Kisami et al. 298/17 R
5,797,657 A 8/1998 D'Amico
6,022,068 A * 2/2000 D'Amico 296/183.2
6,086,076 A 7/2000 Prem et al.
6,113,193 A 9/2000 Kunzeman
6,129,409 A * 10/2000 D'Amico 296/183.2
6,175,788 B1 1/2001 Hasegawa et al.
D440,261 S * 4/2001 Wei D21/554
D458,943 S 6/2002 Briggs et al.

(73) Assignee: **Caterpillar Inc.**, Peoria, IL (US)

(Continued)

(**) Term: **14 Years**

OTHER PUBLICATIONS

(21) Appl. No.: **29/285,458**

Rigid Dumper, Rd 32, Astra, English Sep. 2005 (3 pps.).
New Rigid Dump Truck, RD 28, RD 32, Astra, Italian/English,
A9500079 - 85-2005, (2pps.).

(22) Filed: **Mar. 29, 2007**

(51) **LOC (8) Cl.** **08-10**
(52) **U.S. Cl.** **D12/15; D15/10**
(58) **Field of Classification Search** D12/14,
D12/15, 93, 96; D15/10, 21, 22, 33; D21/554;
180/24.08, 22; 280/781, 124.132, 124.136;
296/183.2; 298/17 R, 22 P

Primary Examiner—Stella M. Reid
Assistant Examiner—Mark A Goodwin
(74) *Attorney, Agent, or Firm*—Finnegan, Henderson,
Farabow, Garrett & Dunner

See application file for complete search history.

(57) **CLAIM**

The ornamental design for a portion of an off-highway truck,
as shown and described.

(56) **References Cited**

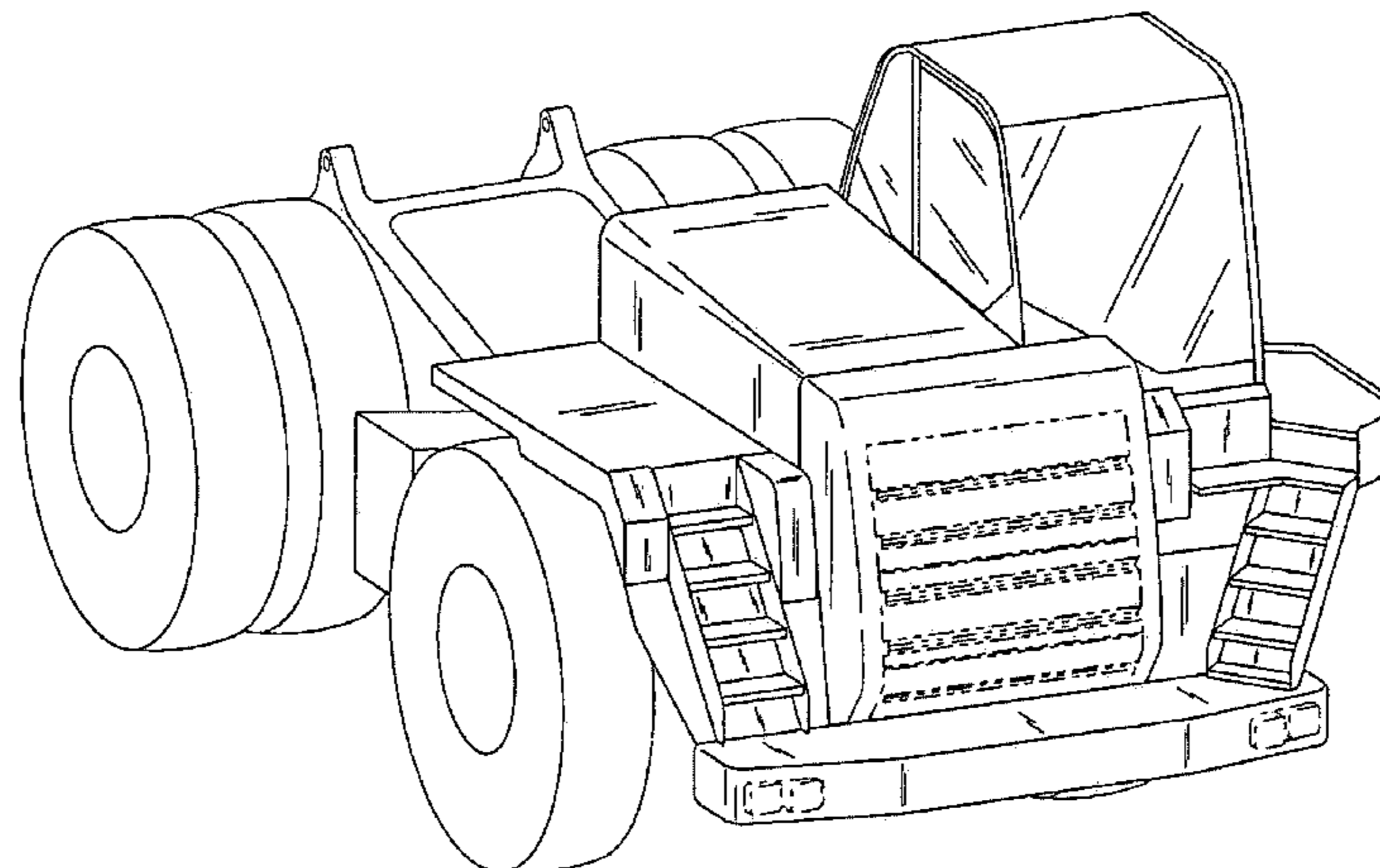
U.S. PATENT DOCUMENTS

D184,217 S 1/1959 Eriacher et al.
D188,314 S * 7/1960 Babbit et al. D12/15
D224,651 S 8/1972 Lorenz
D234,130 S * 1/1975 Kress D12/15
D235,528 S 6/1975 Ahola
3,938,238 A 2/1976 Kershaw et al.
3,940,163 A * 2/1976 Davis et al. 280/6.15
D240,613 S * 7/1976 Thomas et al. D12/15
4,307,300 A 12/1981 Kisami
4,323,279 A * 4/1982 Domes et al. 298/23 DF
4,531,781 A * 7/1985 Hunt et al. 298/22 P
4,552,653 A * 11/1985 Sumino 209/421
D289,069 S 3/1987 Ohno
D289,748 S 5/1987 Proeschl
4,684,152 A 8/1987 Goodbary et al.
5,033,794 A * 7/1991 Vick 298/22 R
5,472,062 A 12/1995 Nagai et al.

DESCRIPTION

FIG. 1 is a front view of a portion of an off-highway truck
showing our new design;
FIG. 2 is a left view thereof;
FIG. 3 is a rear view thereof;
FIG. 4 is a right view thereof;
FIG. 5 is a top view thereof;
FIG. 6 is a left, front perspective view thereof; and,
FIG. 7 is a right, front perspective view thereof.
The bottom view forms no part of the claimed design.
The elements depicted in dashed lines form no part of the
ornamental design.

1 Claim, 7 Drawing Sheets



US D578,435 S

Page 2

U.S. PATENT DOCUMENTS

D465,499 S	11/2002	Briggs et al.	2002/0185890 A1*	12/2002	Hagenbuch	296/184
6,542,851 B2	4/2003	Hasegawa et al.	2004/0036245 A1	2/2004	Molhagen	
6,588,539 B2	7/2003	Hinton et al.	2004/0102907 A1	5/2004	Lueschow et al.	
6,935,678 B1	8/2005	Laban et al.	2004/0104596 A1	6/2004	Bender	
7,100,256 B2	9/2006	D'Amico et al.	2005/0040695 A1	2/2005	Kinoshita	
7,131,670 B2	11/2006	Kinoshita	2006/0080818 A1	4/2006	D'Amico et al.	
D545,473 S	6/2007	Nunes	2007/0101818 A1	5/2007	Kabrich et al.	
2002/0103623 A1	8/2002	Hasegawa et al.	2007/0114092 A1	5/2007	Khalil et al.	

* cited by examiner

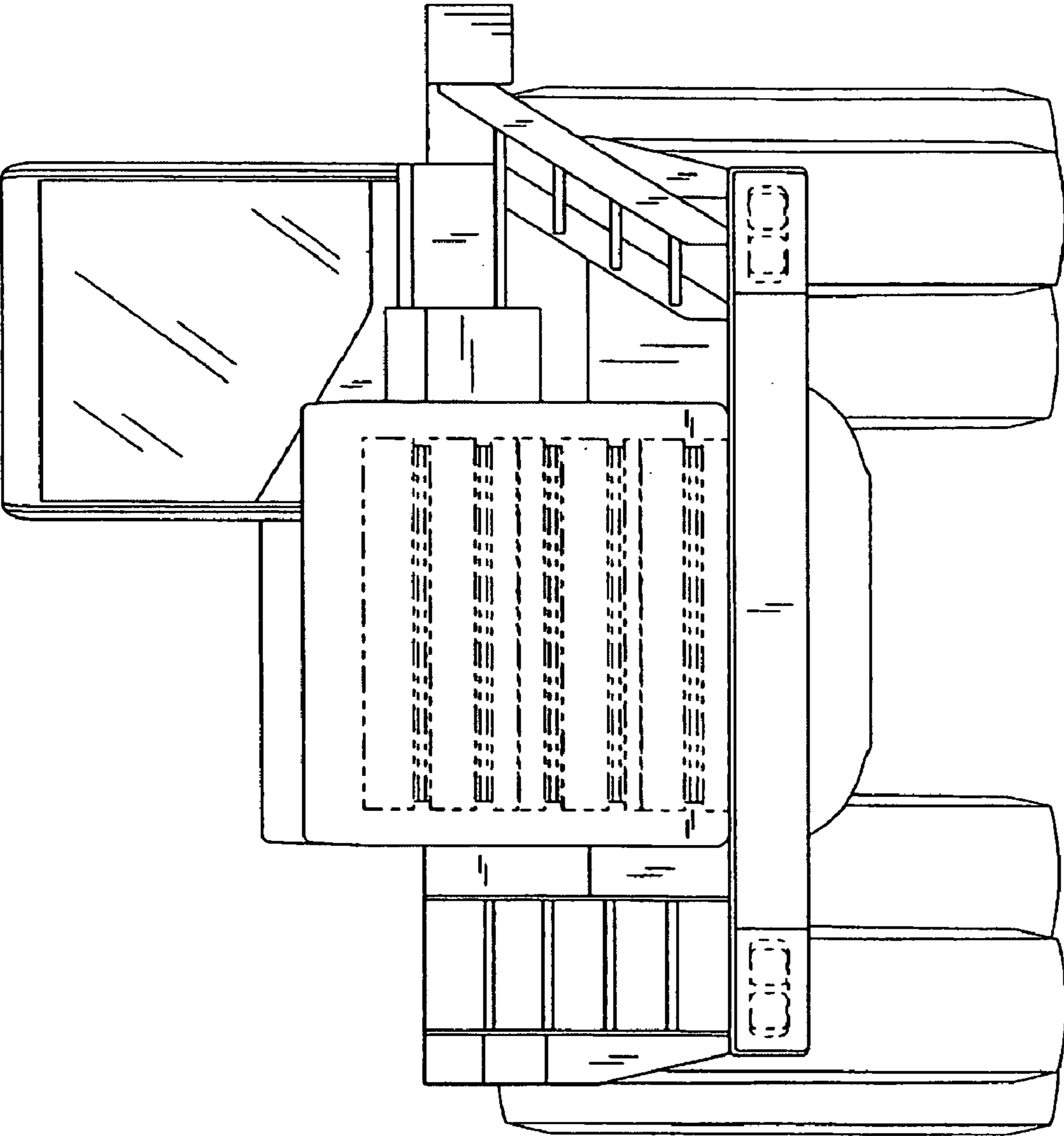


FIG. 1

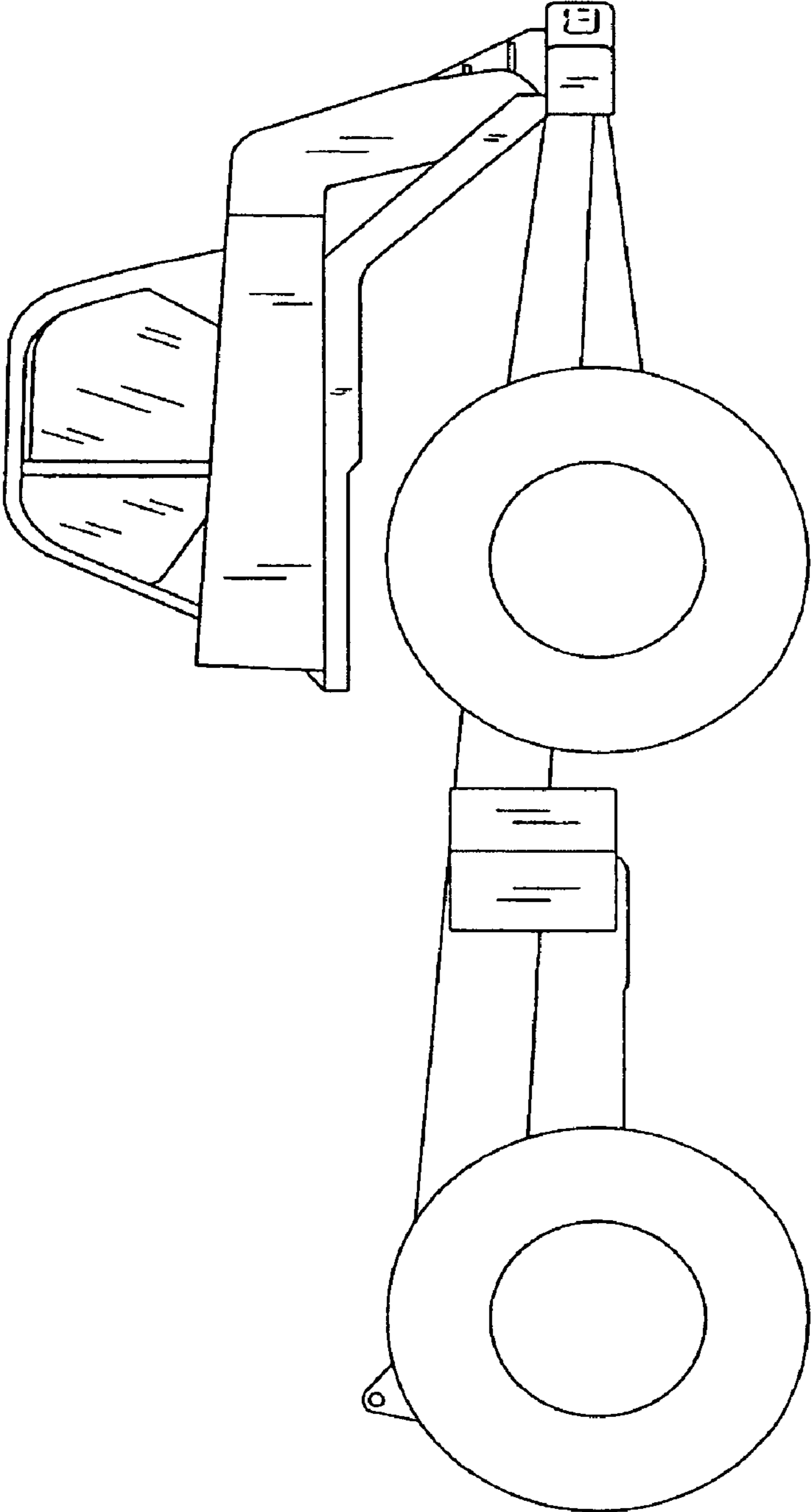


FIG. 2

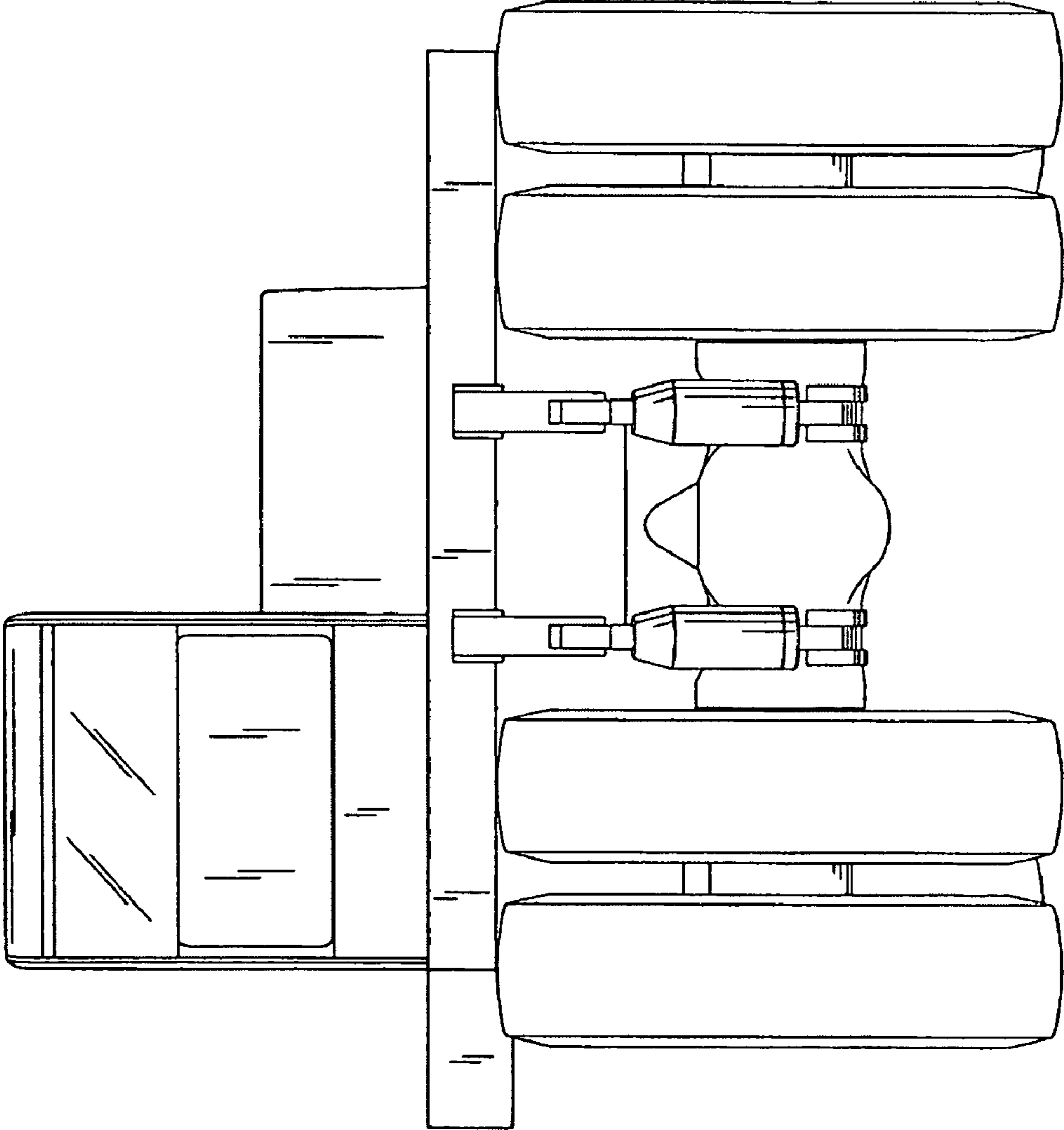


FIG. 3

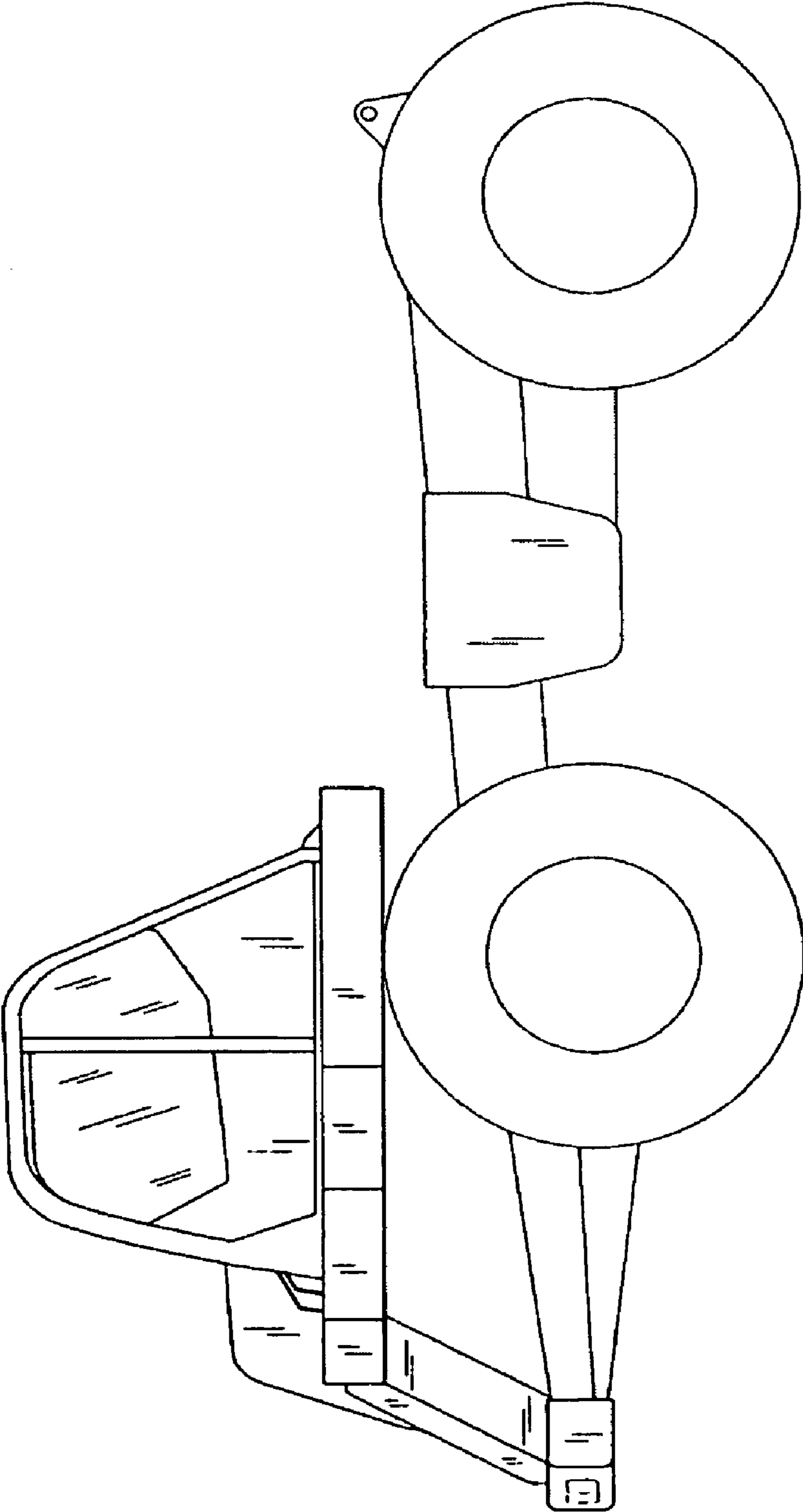


FIG. 4

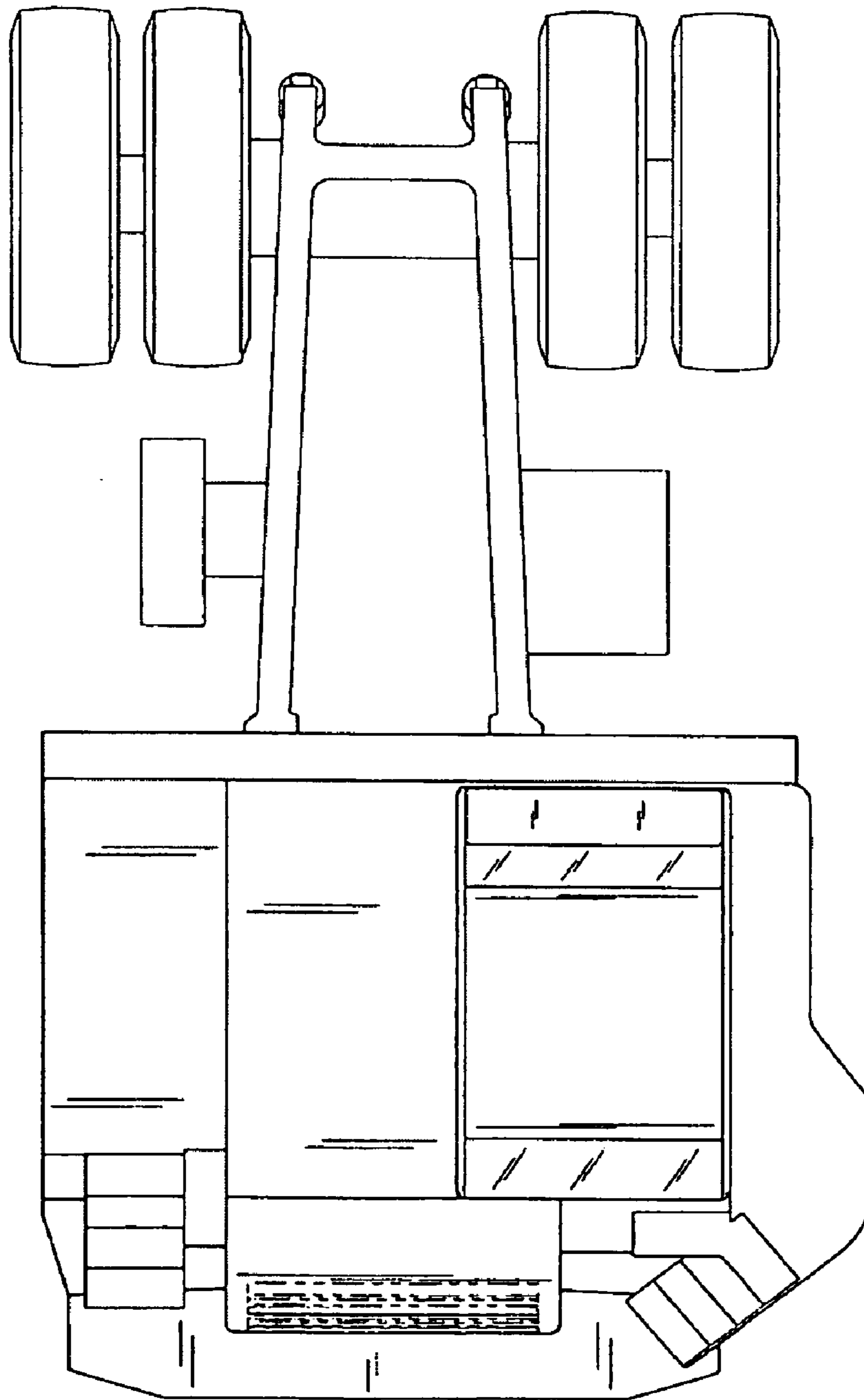


FIG. 5

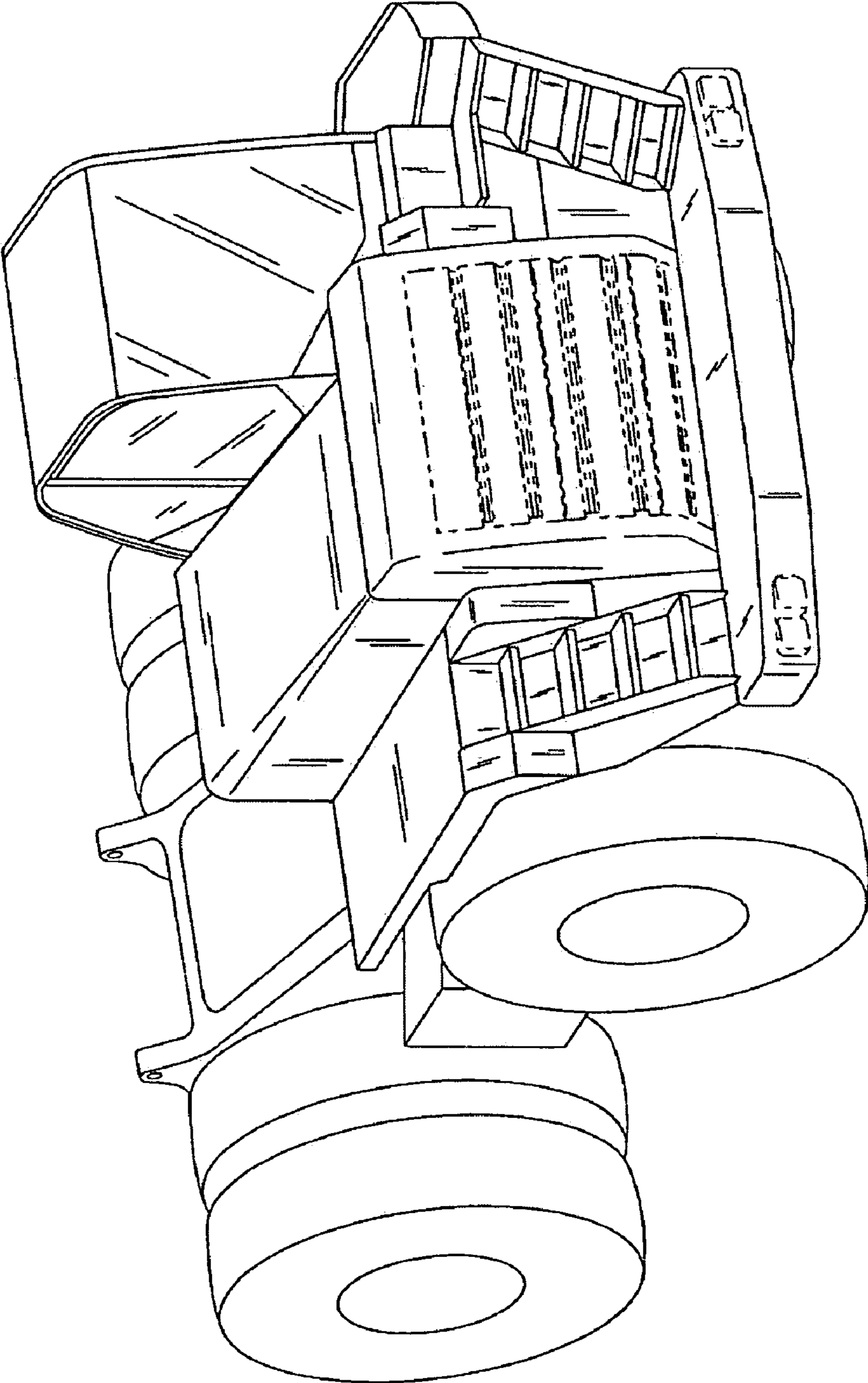


FIG. 6

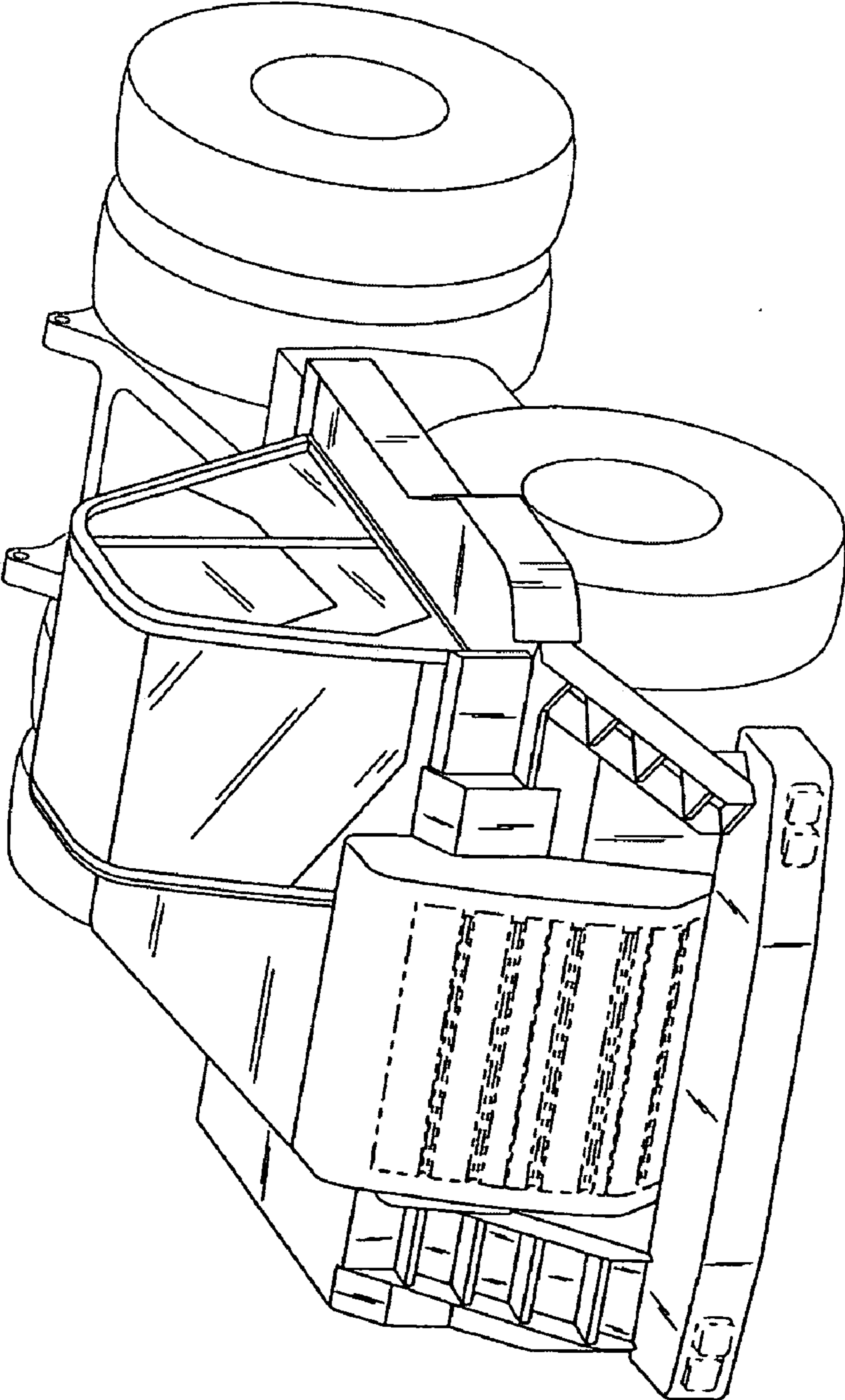


FIG. 7