



US00D578433S

(12) **United States Design Patent**
Kawaguchi et al.

(10) **Patent No.:** **US D578,433 S**

(45) **Date of Patent:** **** Oct. 14, 2008**

(54) **TRUCK VEHICLE**

(75) Inventors: **Yukinori Kawaguchi**, Saitama (JP);
Mike Chan, Torrance, CA (US)

(73) Assignee: **Honda Motor Co., Ltd.**, Tokyo (JP)

(**) Term: **14 Years**

(21) Appl. No.: **29/274,502**

(22) Filed: **Apr. 27, 2007**

(51) **LOC (8) Cl.** **12-13**

(52) **U.S. Cl.** **D12/14; D12/16**

(58) **Field of Classification Search** D12/87,
D12/86, 1, 433, 15, 16, 107, 82, 88, 89, 90,
D12/91, 92, 93; D15/30; D21/803; 180/233,
180/908; 280/DIG. 5, 183, 184, 185, 186,
280/28, 37.7

See application file for complete search history.

(56) **References Cited**

U.S. PATENT DOCUMENTS

- D497,324 S * 10/2004 Chestnut et al. D12/1
- D498,435 S * 11/2004 Saito et al. D12/1
- D503,905 S * 4/2005 Saito et al. D12/1
- D555,036 S * 11/2007 Eck et al. D12/87
- 2005/0173177 A1* 8/2005 Smith et al. 180/233
- 2007/0231101 A1* 10/2007 Kobayashi et al. 410/106

2007/0236037 A1* 10/2007 Kobayashi et al. 296/37.8

OTHER PUBLICATIONS

Polaris: Ranger Utility Vehicles: Hardest Working, Smoothest Riding.

Kawasaki Mule 3000, 2005, p. 11.

* cited by examiner

Primary Examiner—Robert M. Spear

Assistant Examiner—Ania K Dworzecka

(74) *Attorney, Agent, or Firm*—Westerman, Hattori, Daniels & Adrian, LLP.

(57) **CLAIM**

The ornamental design for, a truck vehicle, as shown and described.

DESCRIPTION

FIG. 1 is a front perspective view of a truck vehicle, showing our new design;

FIG. 2 is a rear perspective view thereof;

FIG. 3 is a right side elevation view thereof;

FIG. 4 is a left side elevation view thereof;

FIG. 5 is a top plan view thereof;

FIG. 6 is a rear elevation view thereof; and,

FIG. 7 is a front elevation view thereof.

1 Claim, 7 Drawing Sheets

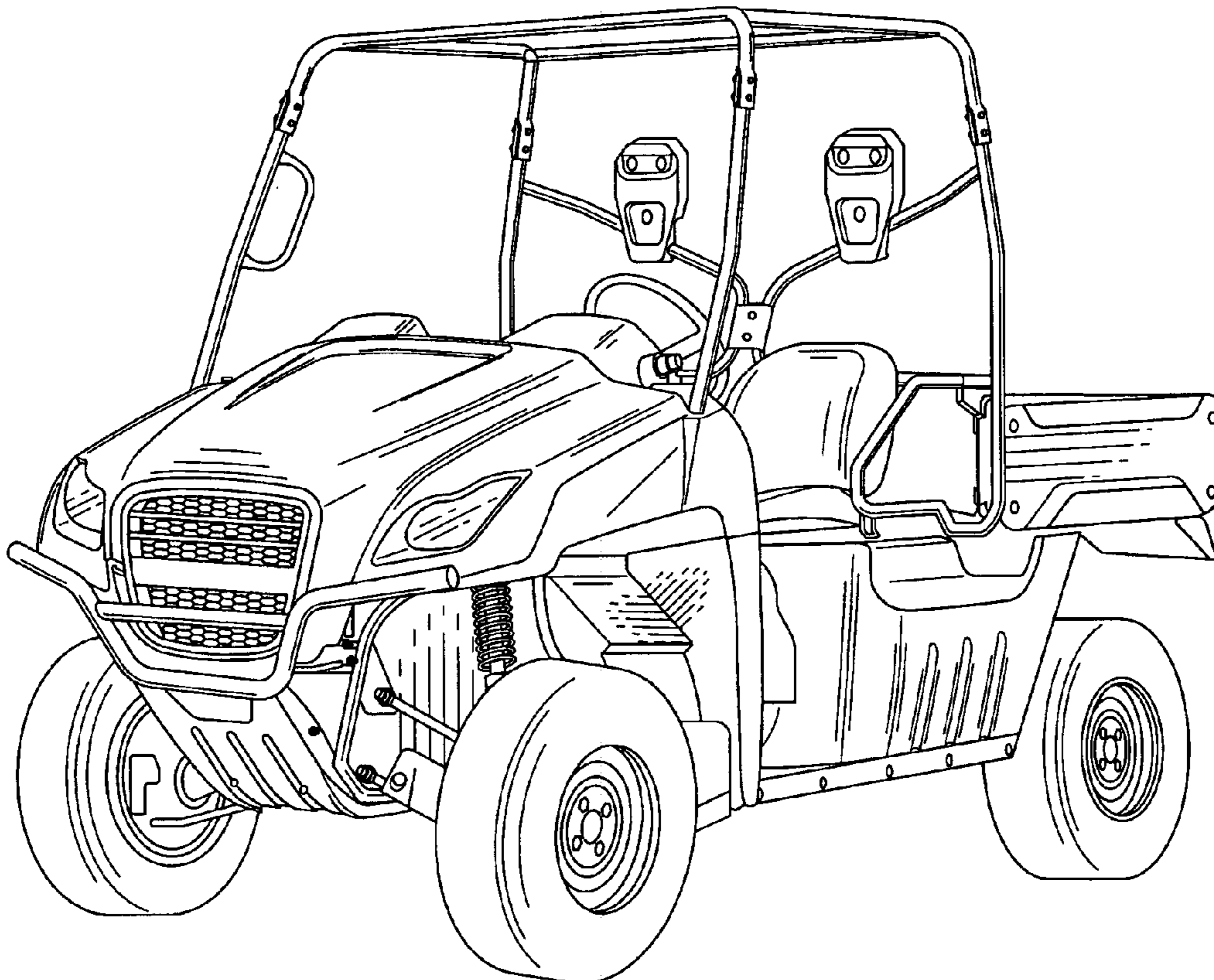


FIG. 1

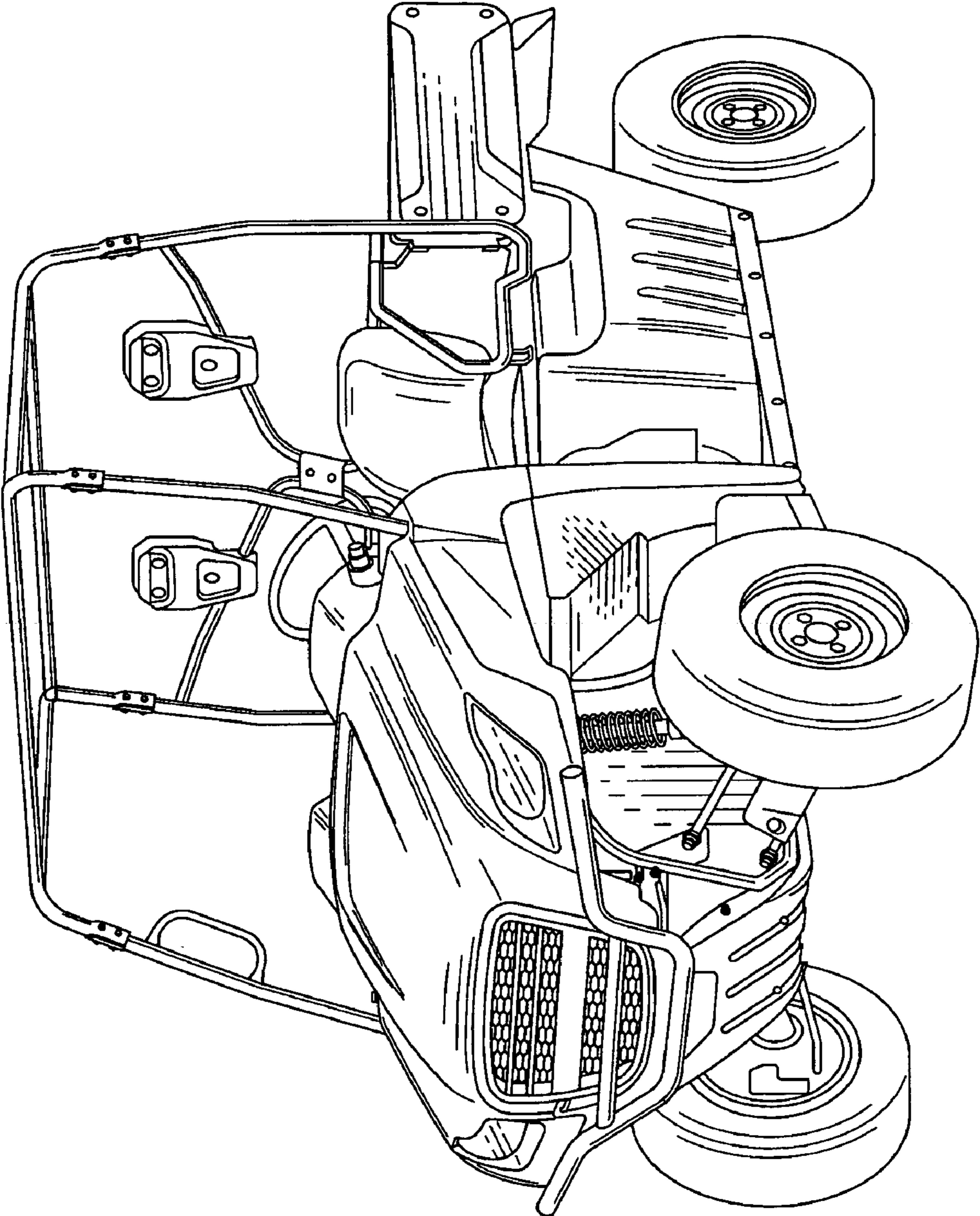


FIG. 2

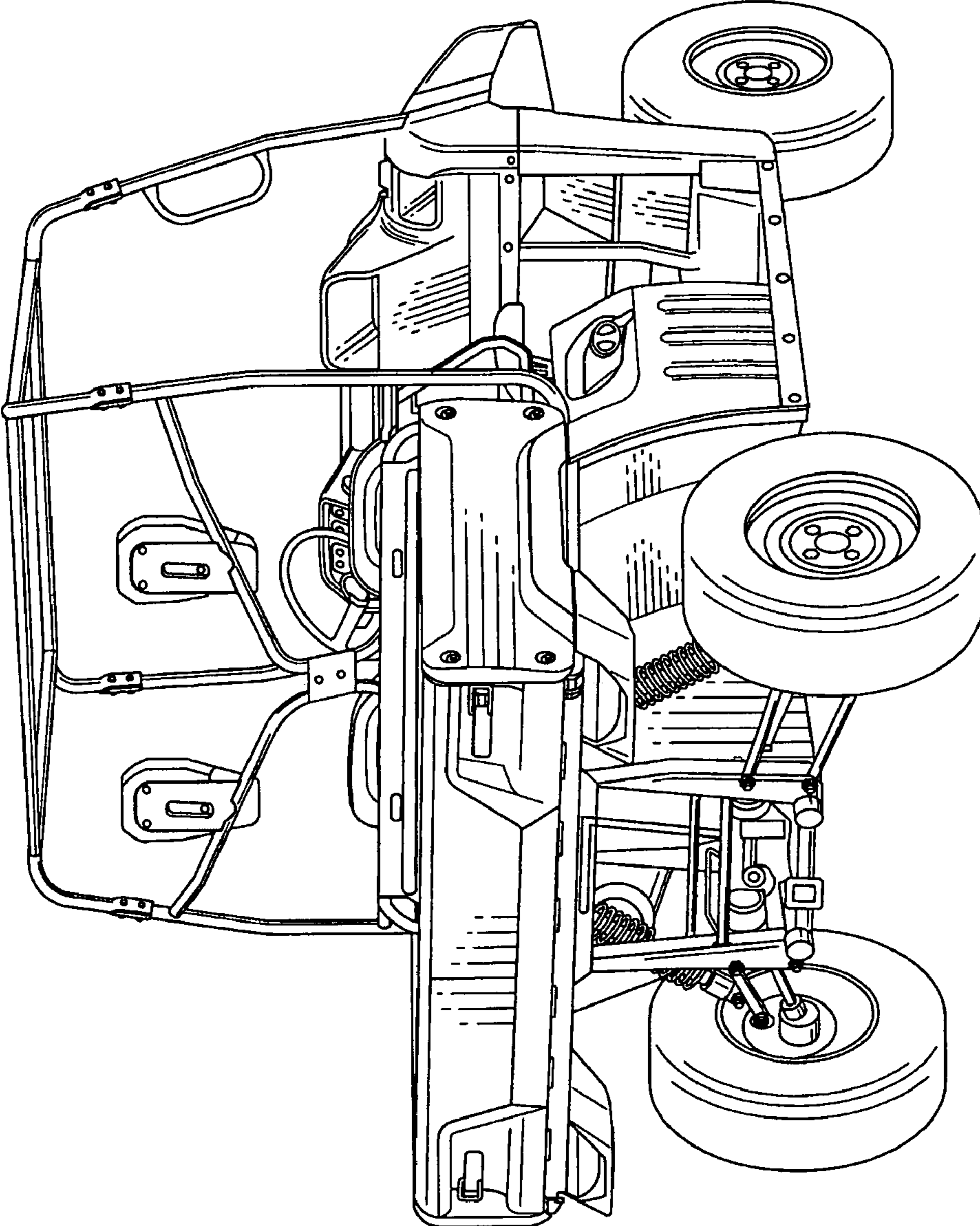


FIG. 3

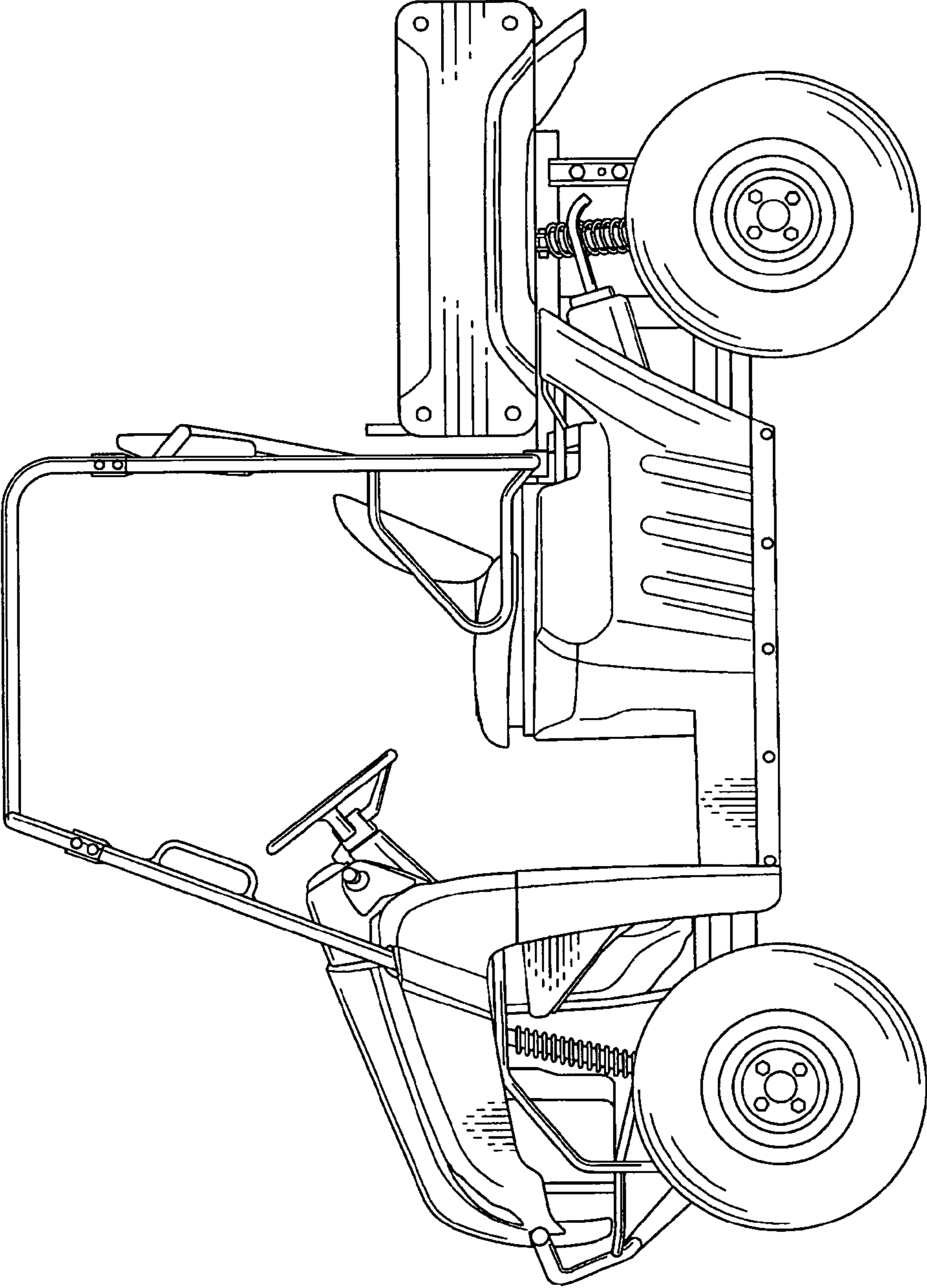


FIG. 4

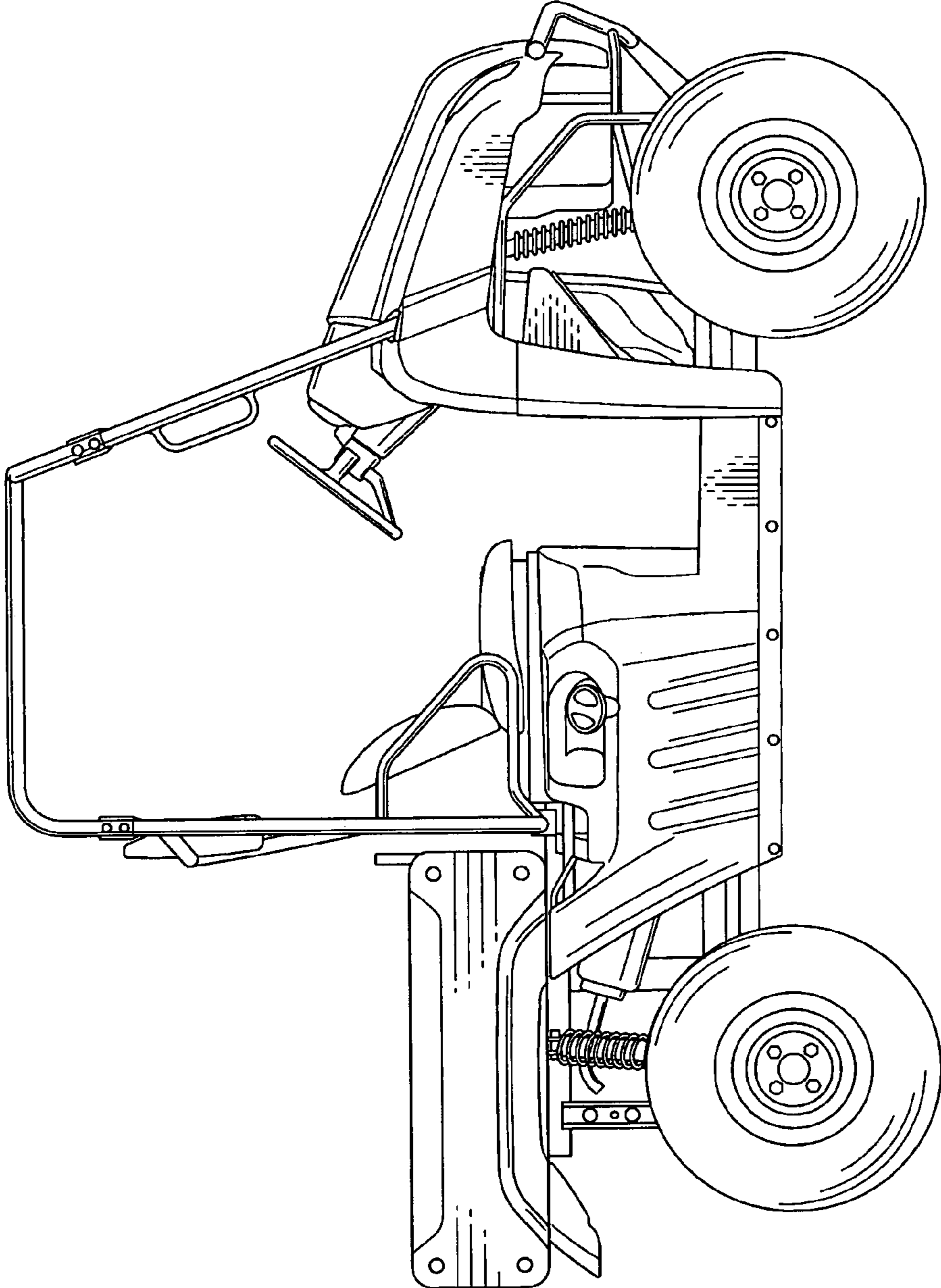


FIG. 5

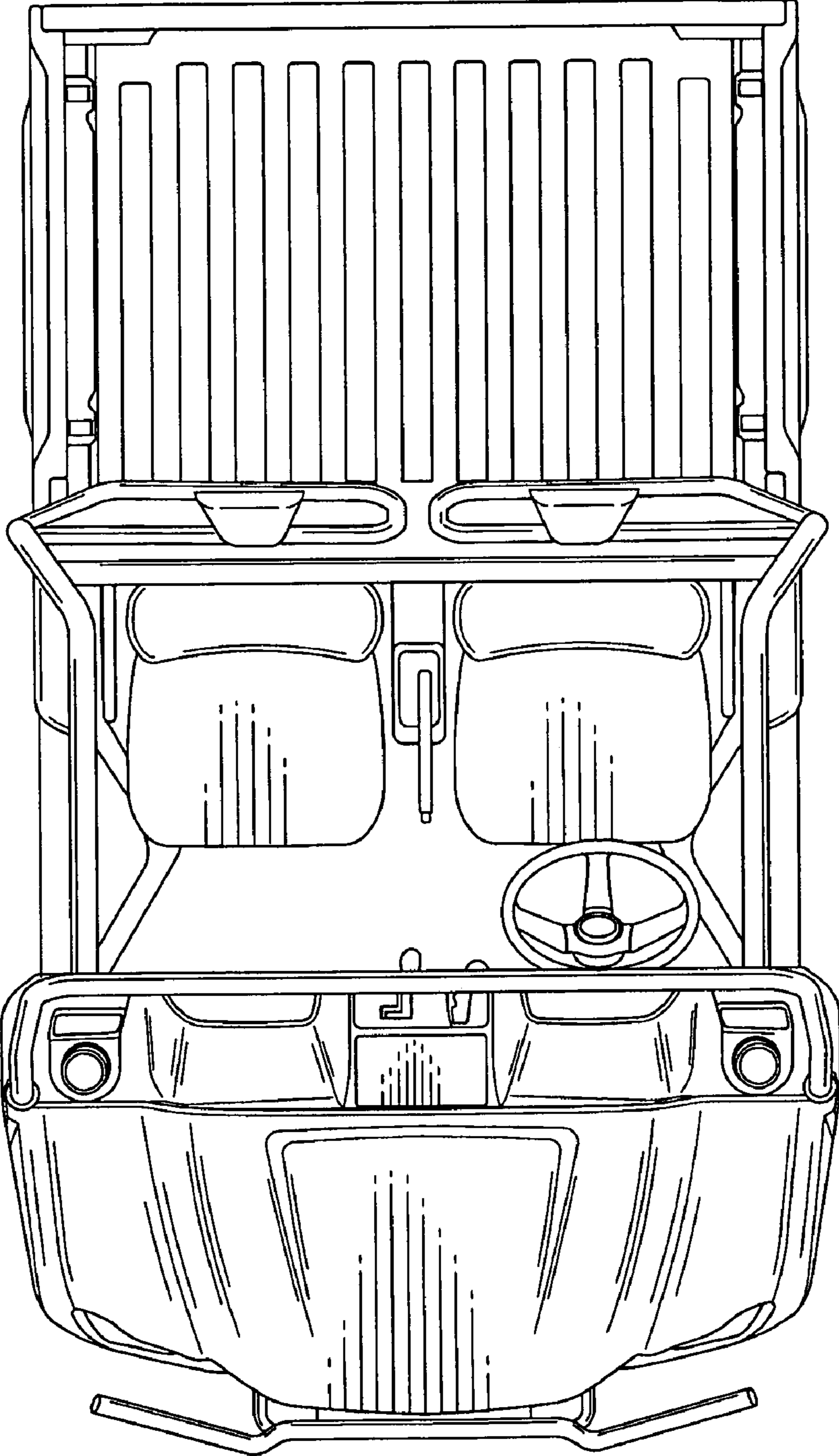


FIG. 6

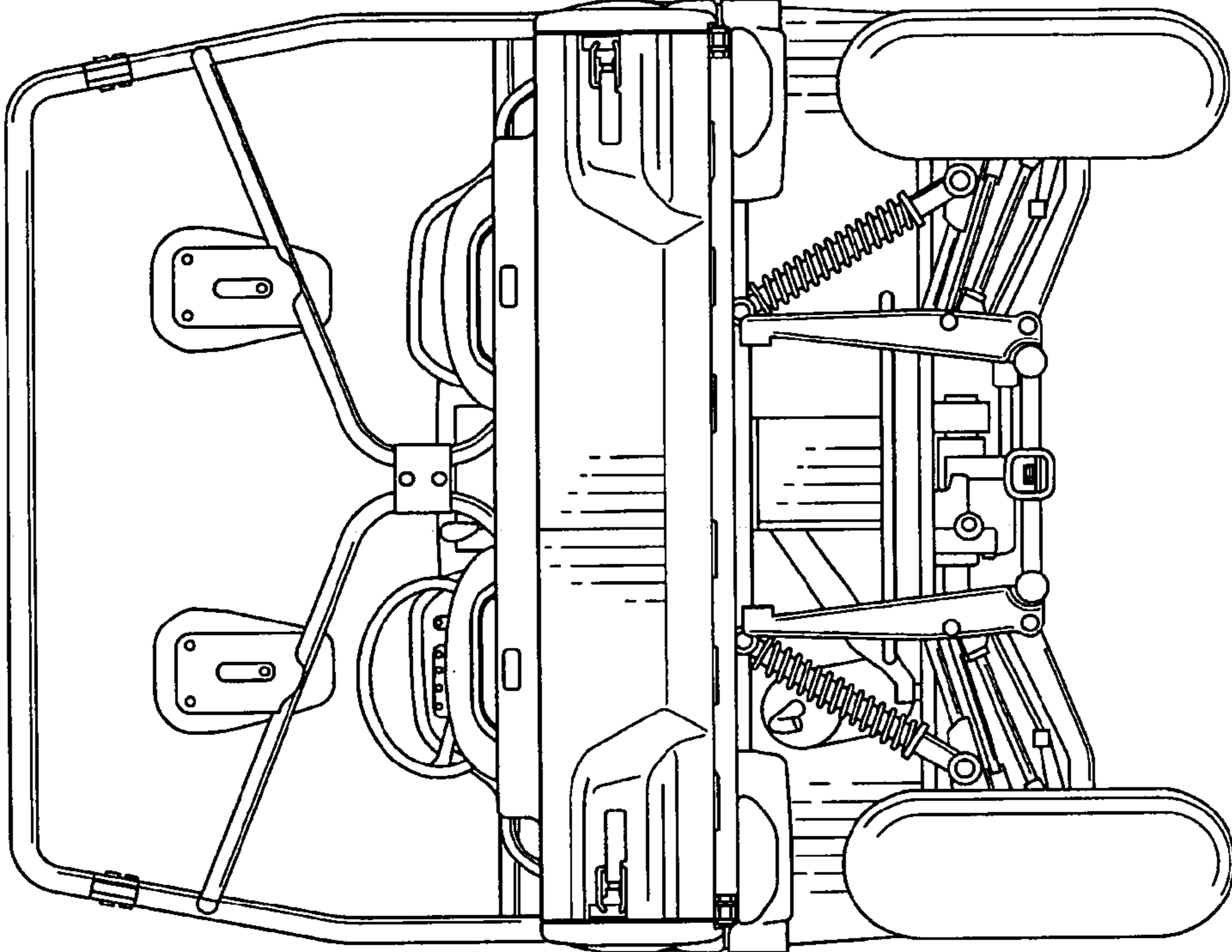


FIG. 7

