



US00D578431S

(12) **United States Design Patent**
Weyer et al.

(10) **Patent No.:** **US D578,431 S**
(45) **Date of Patent:** **** Oct. 14, 2008**

(54) **TWO-SIDED ZIPPER PULL/KEYCHAIN
ORNAMENT FOR ENGAGING DECORATIVE
BUTTONS**

2,041,004 A 5/1936 Levan
2,120,854 A 6/1938 Brown
2,340,402 A 2/1944 Mitchel
2,392,351 A 1/1946 Wolf
2,413,056 A 12/1946 Levyn
3,083,596 A 4/1963 Milazzo
3,517,419 A 6/1970 Friaglia
3,548,689 A 12/1970 Newwig
3,550,483 A 12/1970 Humbel

(75) Inventors: **Leslie Weyer**, Brownsville, WI (US);
Bruce Weyer, Campbellsport, WI (US)

(73) Assignee: **Tecre Co., Inc.**, Fond du Lac, WI (US)

(**) Term: **14 Years**

(Continued)

(21) Appl. No.: **29/291,272**

FOREIGN PATENT DOCUMENTS

(22) Filed: **Aug. 22, 2007**

FR 1352267 1/1964

(Continued)

(51) **LOC (8) Cl.** **02-07**

(52) **U.S. Cl.** **D11/221; D3/208**

(58) **Field of Classification Search** D11/200,
D11/201, 221; 24/381-383, 385, 387, 414-415,
24/418-419, 421, 427-431, 433; 2/265;
D3/207-211

Primary Examiner—R. Seifert

(74) *Attorney, Agent, or Firm*—Ryan Kromholz & Manion,
S.C.

See application file for complete search history.

(57) **CLAIM**

The ornamental design for a two-sided zipper pull/keychain ornament for engaging a decorative button, as shown and described.

(56) **References Cited**

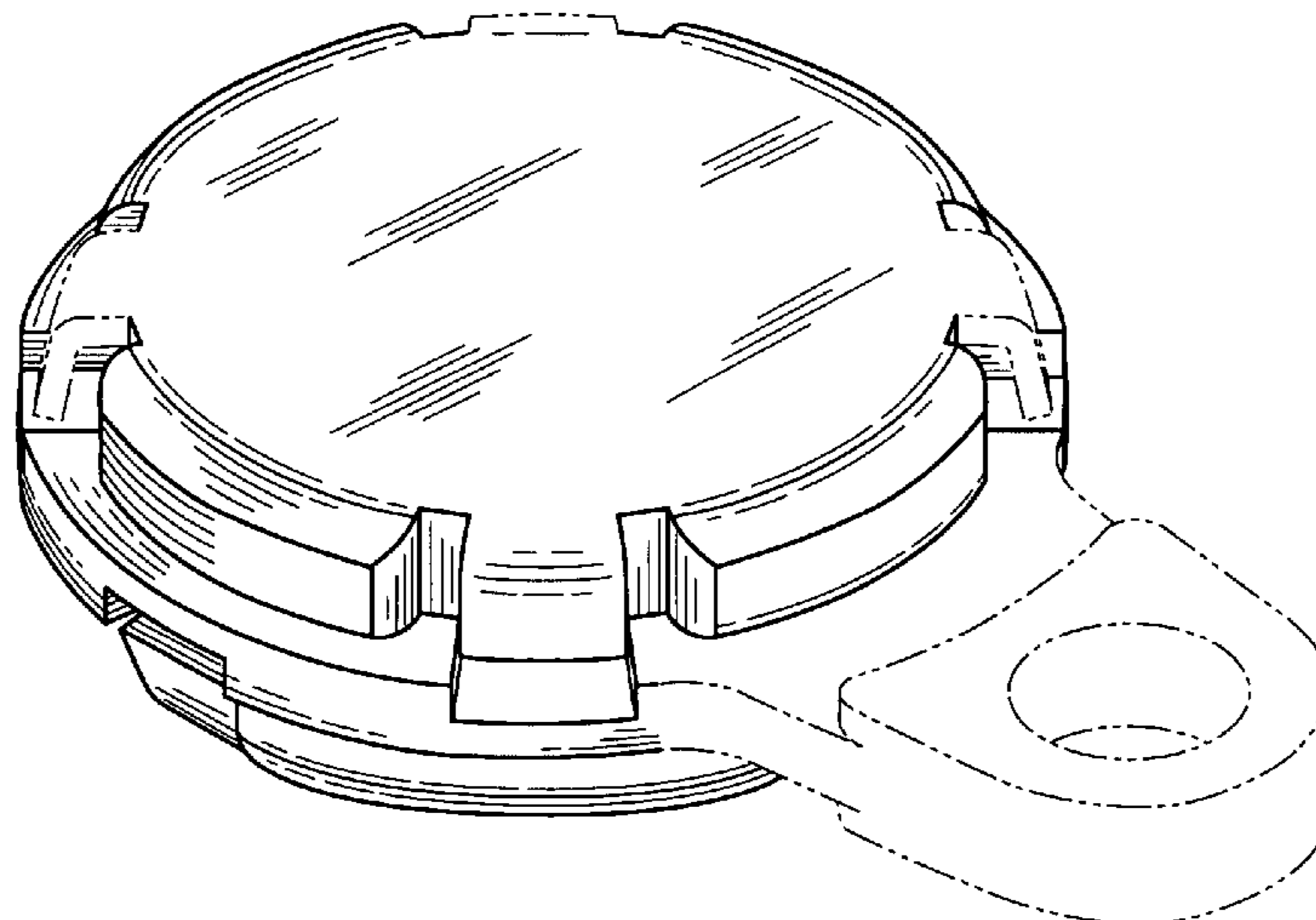
U.S. PATENT DOCUMENTS

604,213 A 5/1898 Phelps
663,860 A 12/1900 Byrne
671,871 A 4/1901 Silsby
918,177 A 4/1909 Lundquist
958,941 A 5/1910 Rose
966,778 A 8/1910 Sherwig
988,478 A 4/1911 Lundquist
1,016,441 A 2/1912 Renschak
1,088,393 A 2/1914 Backus
1,092,492 A 4/1914 Lauesen
1,152,111 A 8/1915 Lopez et al.
1,196,076 A 8/1916 Breitenstein
1,682,301 A 8/1928 Menkin
1,765,325 A 6/1930 Day
2,012,420 A 8/1935 Day

DESCRIPTION

FIG. 1 is a perspective view of our ornament;
FIG. 2 is a top plan view;
FIG. 3 is a bottom plan view;
FIG. 4 is a left side view, the right side view being a mirror image;
FIG. 5 is a front plan view; and,
FIG. 6 is a back plan view.
It being understood that the broken lines are for illustrative purposes only and form no part of the claimed design.

1 Claim, 2 Drawing Sheets



US D578,431 S

Page 2

U.S. PATENT DOCUMENTS

3,600,783 A 8/1971 Krinsky
3,643,530 A 2/1972 Roebuck
3,661,039 A 5/1972 Lewis
3,662,626 A 5/1972 Alpert
3,795,036 A 3/1974 Roebuck
3,864,791 A 2/1975 Bishop
4,183,159 A 1/1980 Isaac
4,184,275 A 1/1980 Thornell
4,221,139 A 9/1980 Peterson
4,299,019 A 11/1981 Roebuck
4,346,507 A 8/1982 Heuck
4,426,781 A 1/1984 Kuftrin
4,531,310 A 7/1985 Acson et al.
4,548,118 A 10/1985 Brosch
4,593,467 A 6/1986 Safar
4,696,086 A 9/1987 Dickerson
4,777,744 A 10/1988 Barnett
4,835,843 A 6/1989 Wendt et al.
4,867,013 A 9/1989 Braunberger
5,065,517 A 11/1991 Markes
D348,773 S * 7/1994 Kutzera D3/207
5,457,852 A 10/1995 Liu
D382,704 S * 8/1997 Petruzzi D3/207
D384,198 S * 9/1997 Fortune D3/207
D388,602 S * 1/1998 Petruzzi D3/208
5,860,217 A 1/1999 Braun

D406,396 S * 3/1999 Granwehr D28/76
D409,630 S 5/1999 Cornell et al.
6,038,944 A 3/2000 Braunberger
D431,341 S * 9/2000 DiPaolo et al. D99/34
D440,153 S * 4/2001 Lin D9/746
D442,363 S * 5/2001 Magid et al. D3/208
6,269,574 B1 8/2001 Sokolofski
6,393,686 B1 5/2002 Braunberger
6,406,773 B1 6/2002 Hendrickson
6,431,027 B1 8/2002 Braunberger
D463,104 S * 9/2002 Ames D3/207
6,477,930 B1 11/2002 Sandford
6,723,447 B1 4/2004 Braunberger
6,745,451 B1 6/2004 Braunberger
6,796,211 B1 9/2004 Braunberger
6,938,518 B1 9/2005 Braunberger
D521,231 S * 5/2006 Ng D3/208
D559,530 S * 1/2008 Bates et al. D3/207
2001/0016152 A1 8/2001 Ajimi et al.

FOREIGN PATENT DOCUMENTS

GB 1213209 11/1970
GB 122131 2/1971
GB 2095095 9/1982
WO WO9215215 9/1992

* cited by examiner

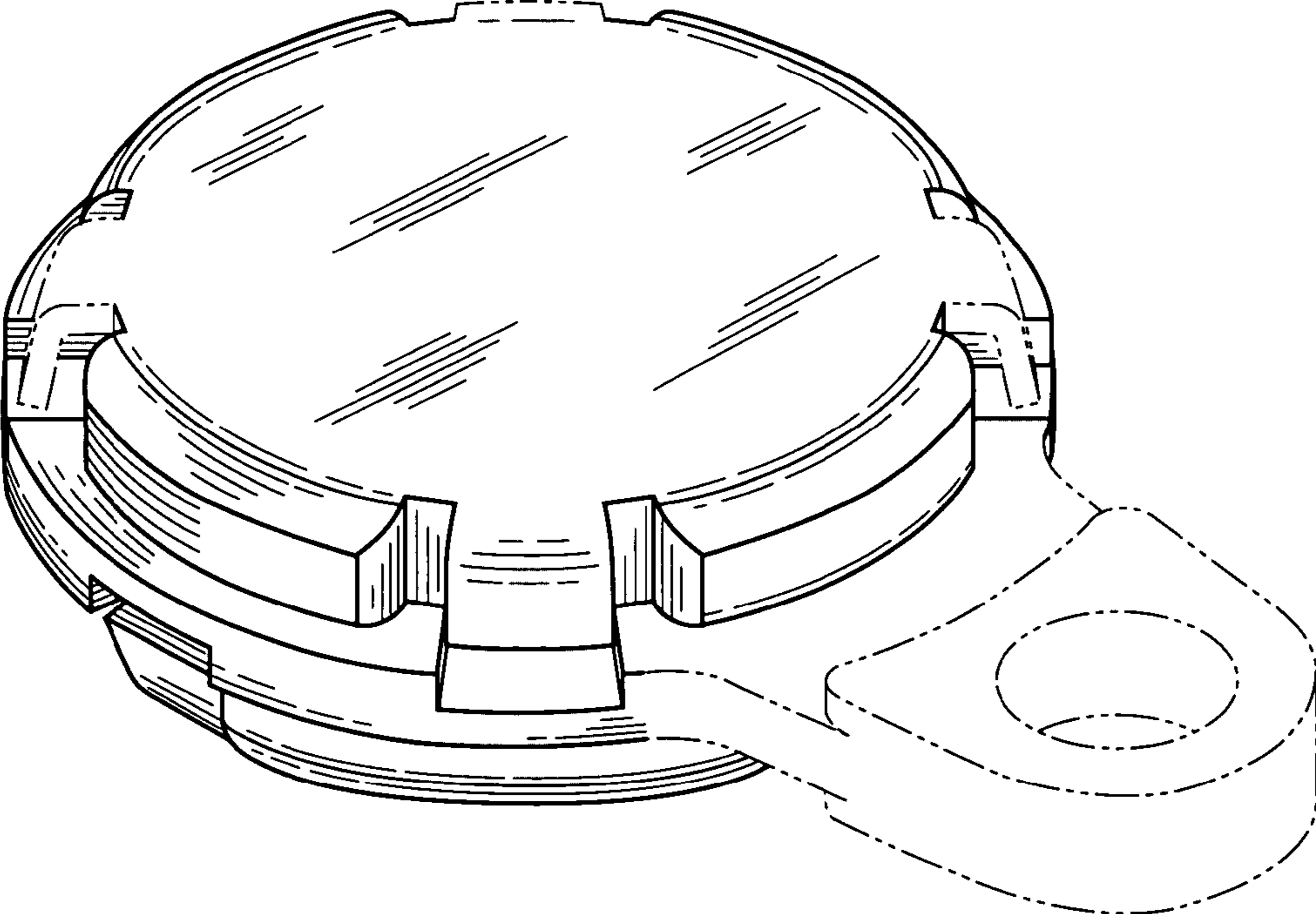


Fig. 1

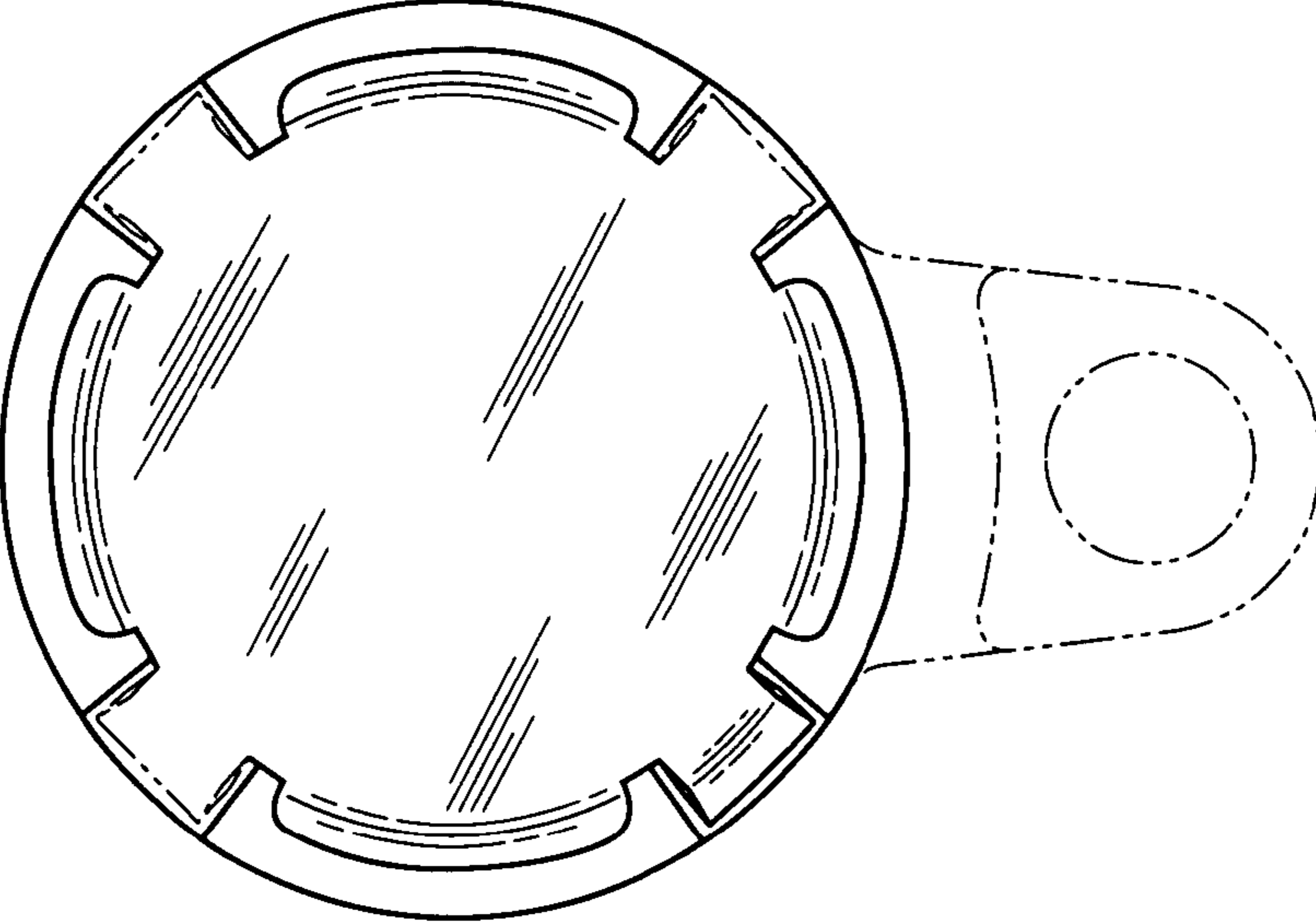


Fig. 2

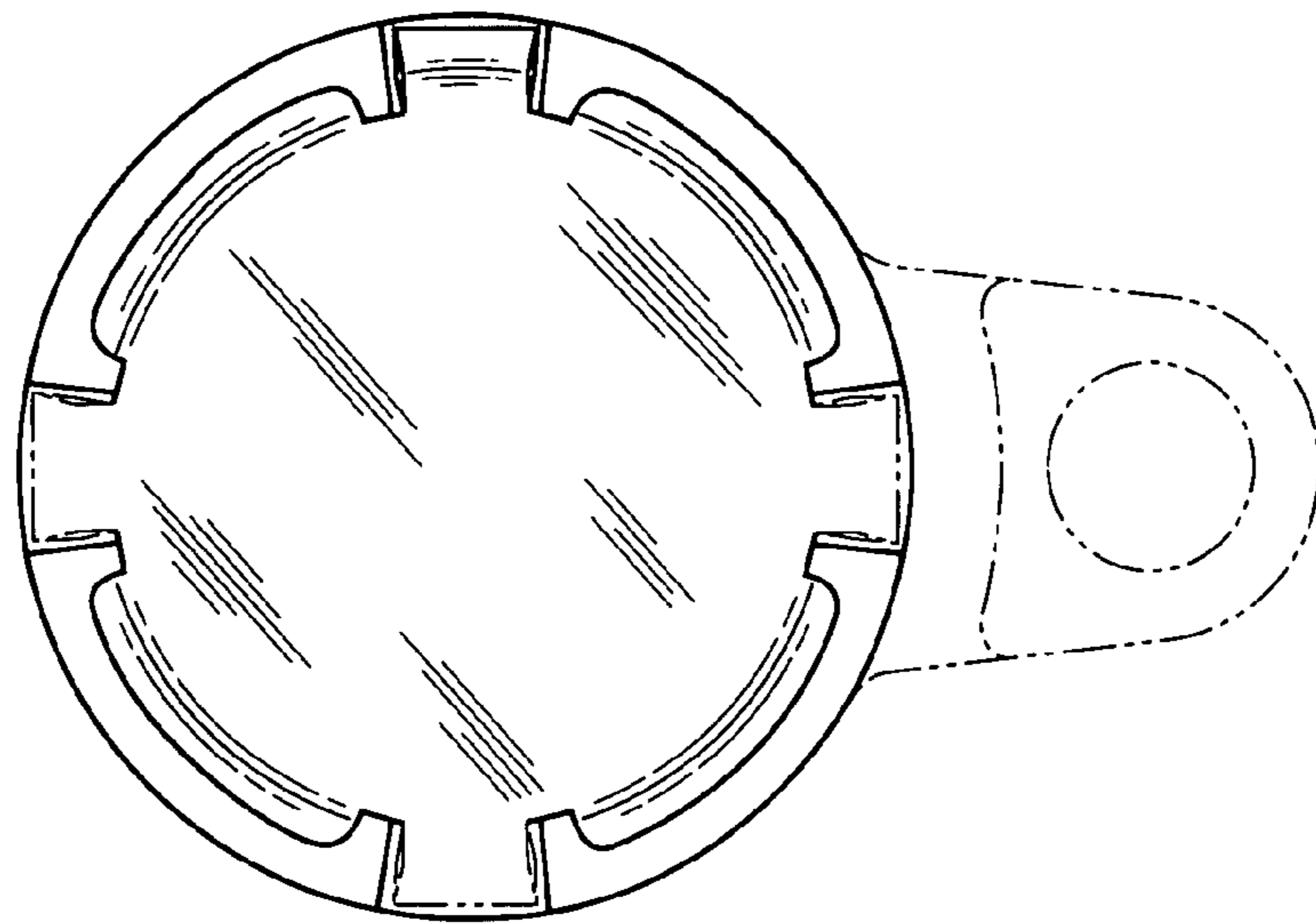


Fig. 3

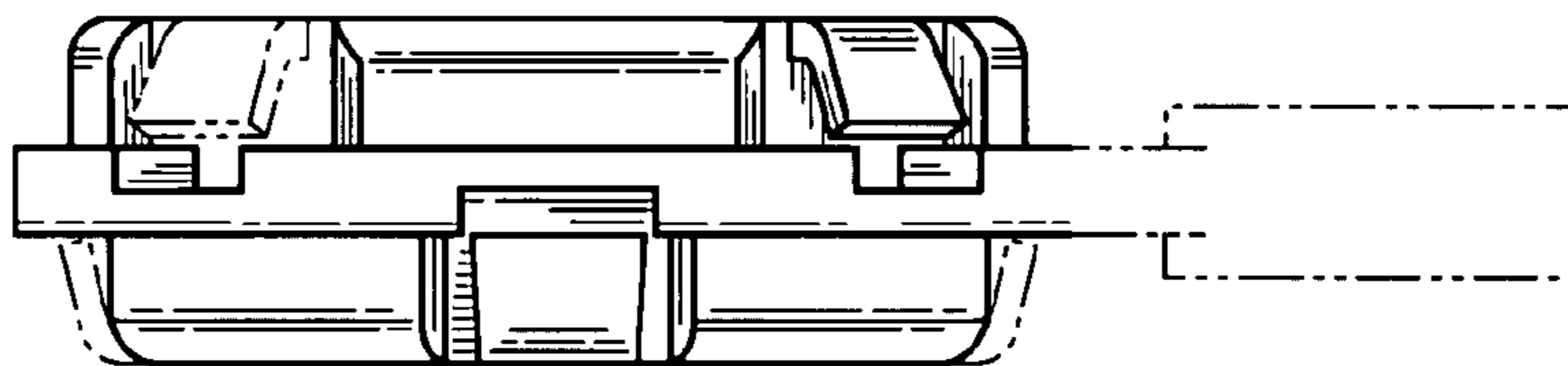


Fig. 4

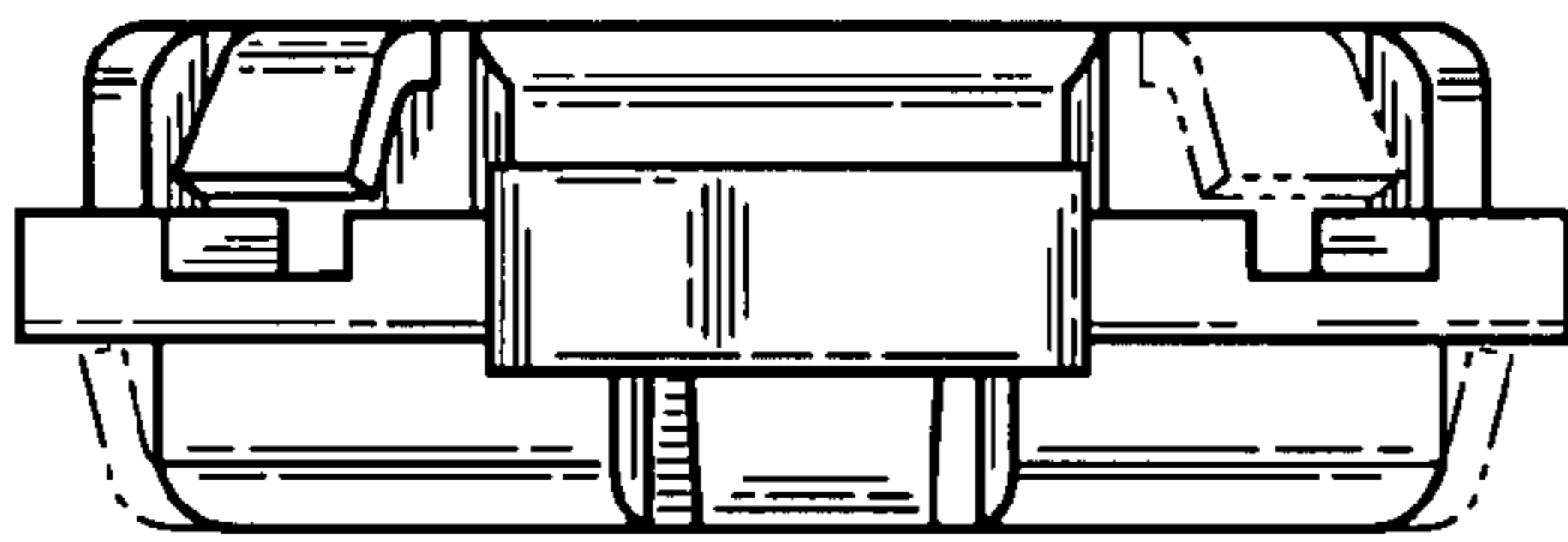


Fig. 5

Fig. 6

