



US00D578426S

(12) **United States Design Patent**
Friess

(10) **Patent No.:** **US D578,426 S**

(45) **Date of Patent:** **** Oct. 14, 2008**

(54) **HELMET BELL**

(76) Inventor: **Harvey A Friess**, W188 N9325 Maple Rd., Menomonee Falls, WI (US) 53051

(**) Term: **14 Years**

(21) Appl. No.: **29/293,591**

(22) Filed: **Dec. 3, 2007**

Related U.S. Application Data

(62) Division of application No. 29/259,787, filed on May 16, 2006, now Pat. No. Des. 565,986.

(51) **LOC (8) Cl.** **10-05**

(52) **U.S. Cl.** **D10/116**

(58) **Field of Classification Search** D10/116;
84/410

See application file for complete search history.

(56) **References Cited**

U.S. PATENT DOCUMENTS

| | | | |
|--------------|--------|----------------|---------|
| D279,873 S * | 7/1985 | Neely | D10/116 |
| D346,986 S | 5/1994 | Friess, Jr. | |
| D369,985 S | 5/1996 | Kehler | |
| D373,547 S | 9/1996 | Stratford | |
| D389,422 S | 1/1998 | Lin | |
| D404,671 S * | 1/1999 | Stannard | D10/116 |

| | | | |
|-------------------|---------|--------------------|---------|
| D408,313 S | 4/1999 | Friess | |
| D419,098 S * | 1/2000 | Evans | D10/116 |
| D420,613 S | 2/2000 | Williams | |
| D432,936 S * | 10/2000 | Wing et al. | D10/116 |
| D470,788 S | 2/2003 | Friess | |
| D504,346 S | 4/2005 | Cavazos | |
| 2004/0083876 A1 * | 5/2004 | Maegli et al. | 84/410 |

* cited by examiner

Primary Examiner—Robert M. Spear

Assistant Examiner—George D Kirschbaum

(74) *Attorney, Agent, or Firm*—Ryan Kromholz & Manion, S.C.

(57) **CLAIM**

The ornamental design for a helmet bell, as shown and described.

DESCRIPTION

FIG. 1 is a right side elevation view of a first embodiment of my invention;

FIG. 2 is a left side elevation view;

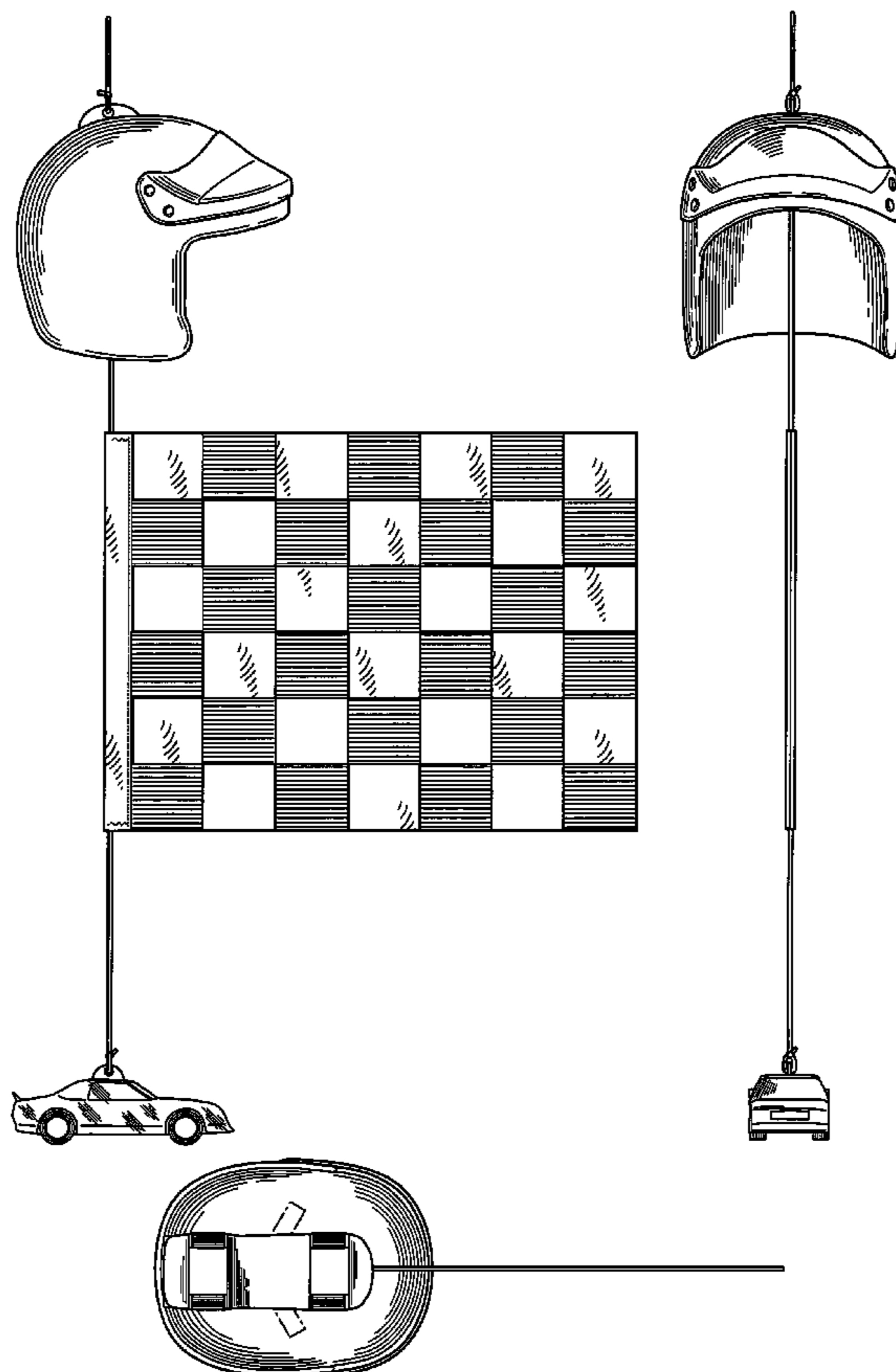
FIG. 3 is a top plan view;

FIG. 4 is a bottom plan view;

FIG. 5 is a front elevation view; and,

FIG. 6 is a rear elevation view;

1 Claim, 4 Drawing Sheets



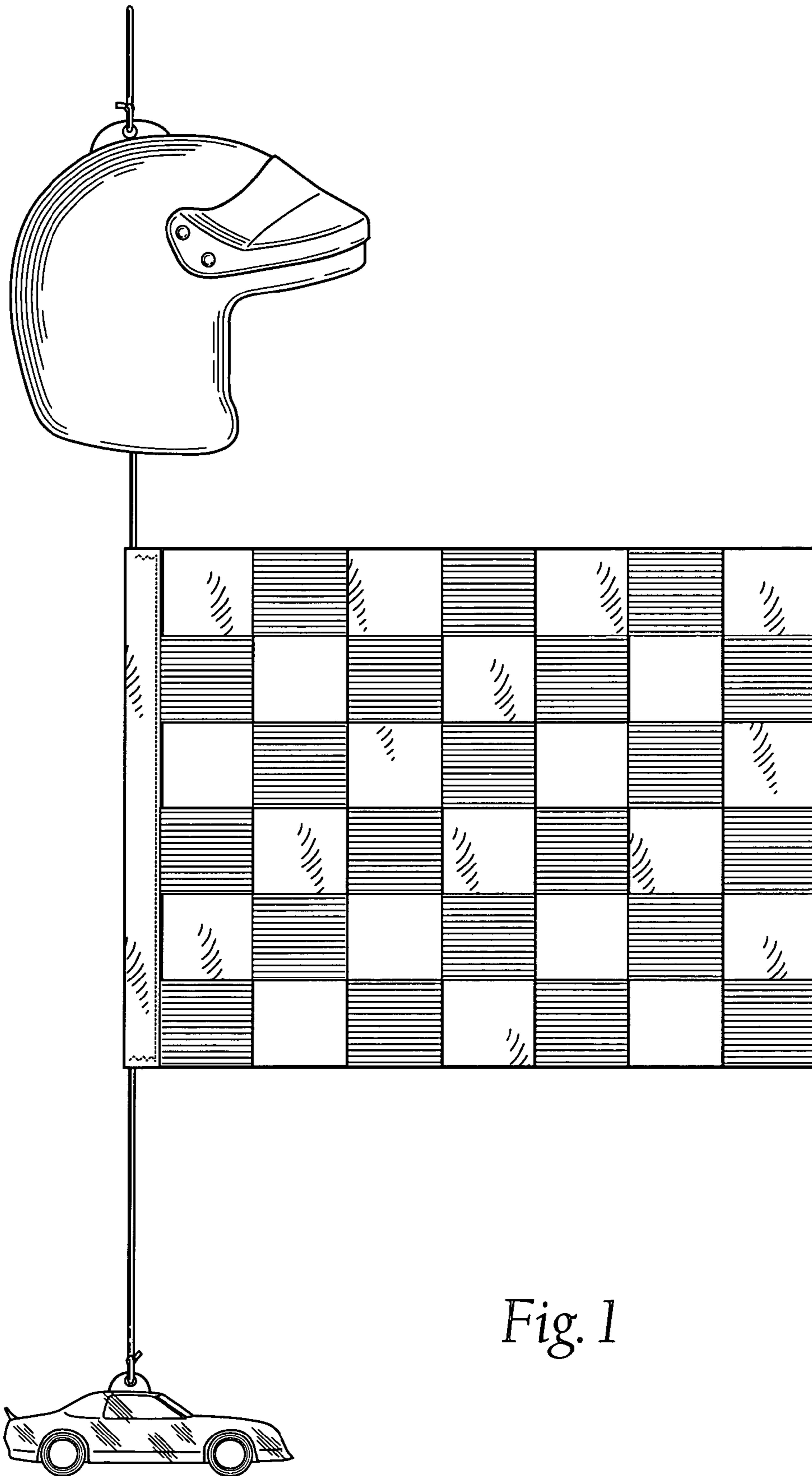


Fig. 1

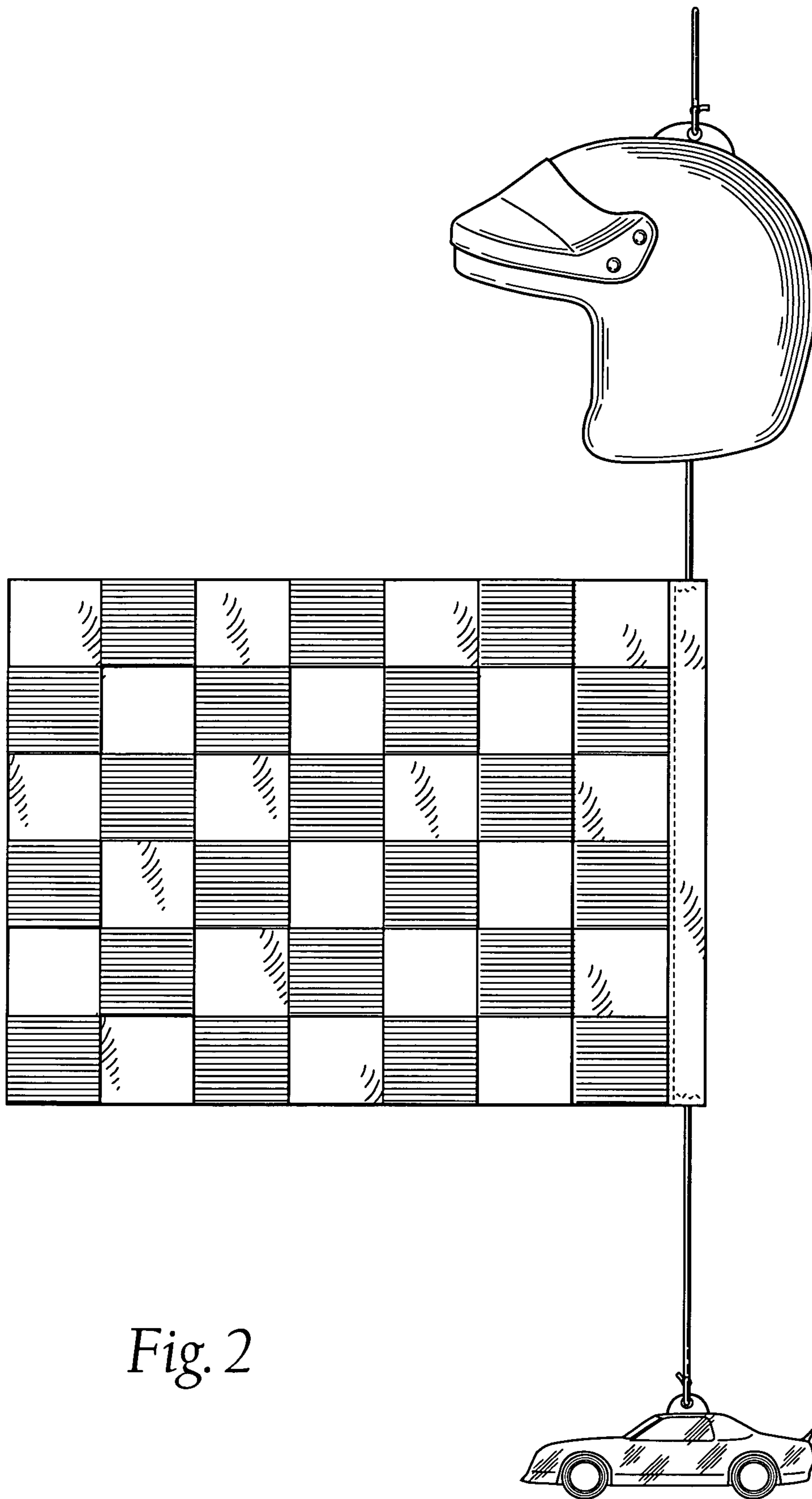


Fig. 2

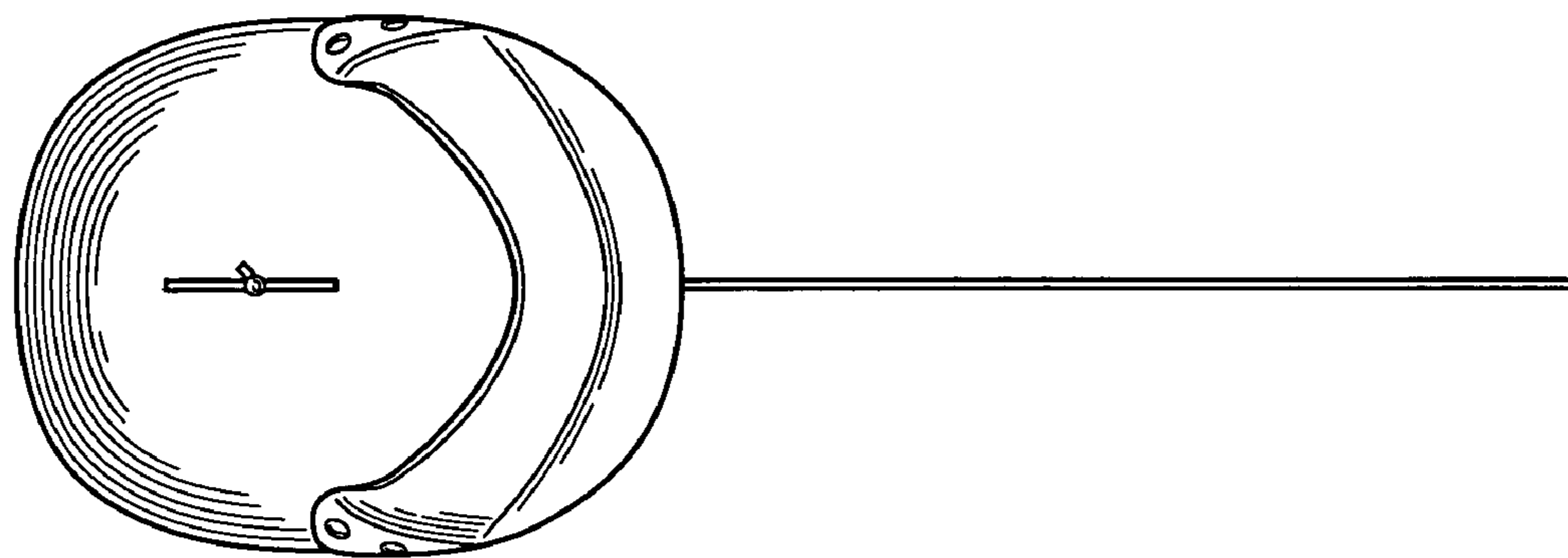


Fig. 3

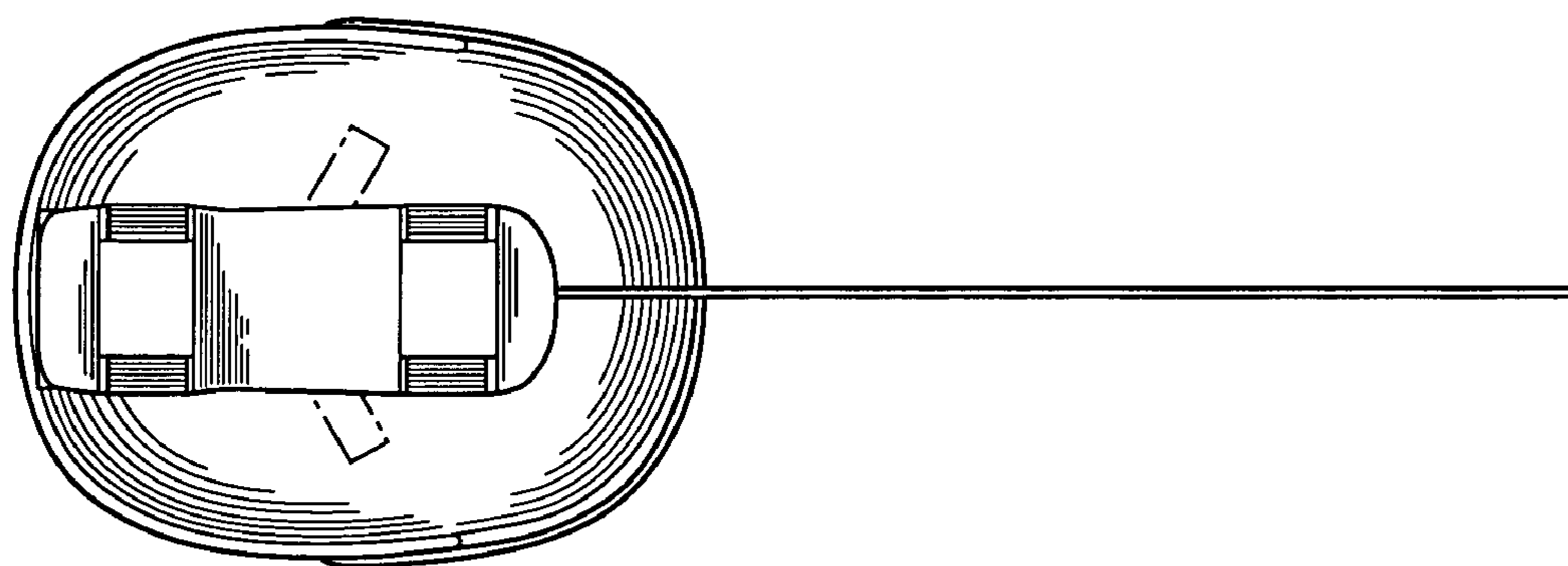


Fig. 4

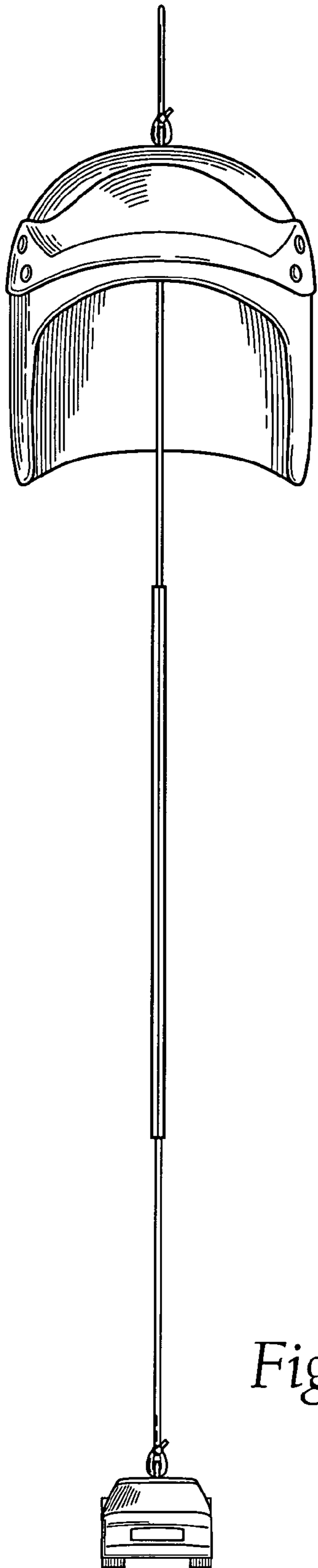


Fig. 5

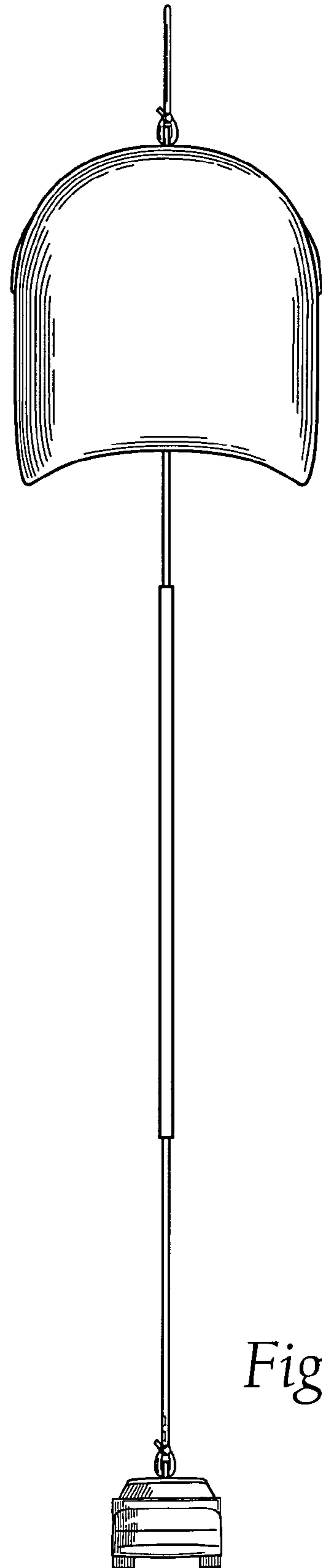


Fig. 6