



US00D578425S

(12) **United States Design Patent**
Shin

(10) **Patent No.:** **US D578,425 S**

(45) **Date of Patent:** **** Oct. 14, 2008**

(54) **LOW PROFILE LIGHT BAR FOR EMERGENCY VEHICLES**

D499,976 S 12/2004 Neufeglise et al.
D518,400 S * 4/2006 Sasaki et al. D10/114
D556,074 S 11/2007 Stein et al.

(76) Inventor: **David Shin**, 7322 Madison St.,
Paramount, CA (US) 90723

* cited by examiner

(**) Term: **14 Years**

Primary Examiner—Robert M Spear

Assistant Examiner—George D Kirschbaum

(21) Appl. No.: **29/318,818**

(74) *Attorney, Agent, or Firm*—Kirk A. Buhler; Buhler & Associates

(22) Filed: **May 28, 2008**

(57) **CLAIM**

(51) **LOC (8) Cl.** **10-05**

(52) **U.S. Cl.** **D10/114**

(58) **Field of Classification Search** D10/114;
362/40, 414, 431, 253, 806, 493, 468; 340/468;
D26/35; D3/203.3, 203.2

I claim, the ornamental design for a low profile light bar for emergency vehicles, as shown and described.

See application file for complete search history.

DESCRIPTION

(56) **References Cited**

U.S. PATENT DOCUMENTS

D249,250 S *	9/1978	Peirish, Jr.	D10/114
D291,870 S *	9/1987	Urbanski et al.	D10/114
D312,424 S	11/1990	Foster		
D312,425 S	11/1990	Foster		
D312,978 S	12/1990	Foster		
D326,621 S *	6/1992	Jincks et al.	D10/114
D345,316 S	3/1994	Green et al.		
D355,142 S *	2/1995	Wagner	D10/114
5,452,188 A *	9/1995	Green et al.	362/493
D363,675 S *	10/1995	Sasaki et al.	D10/114
D402,909 S	12/1998	Stanuch		
D427,537 S	7/2000	Green et al.		
D432,038 S *	10/2000	Sasaki et al.	D10/114
D432,444 S	10/2000	Sasaki et al.		
6,140,918 A *	10/2000	Green et al.	340/468
D469,711 S	2/2003	Neufeglise		
D476,253 S	6/2003	Stein et al.		

FIG. 1 is a top, view for a low profile light bar for emergency vehicles showing my new design;

FIG. 2 is a left view thereof;

FIG. 3 is a bottom view thereof;

FIG. 4 is a front view thereof;

FIG. 5 is a right view thereof;

FIG. 6 is a back view thereof;

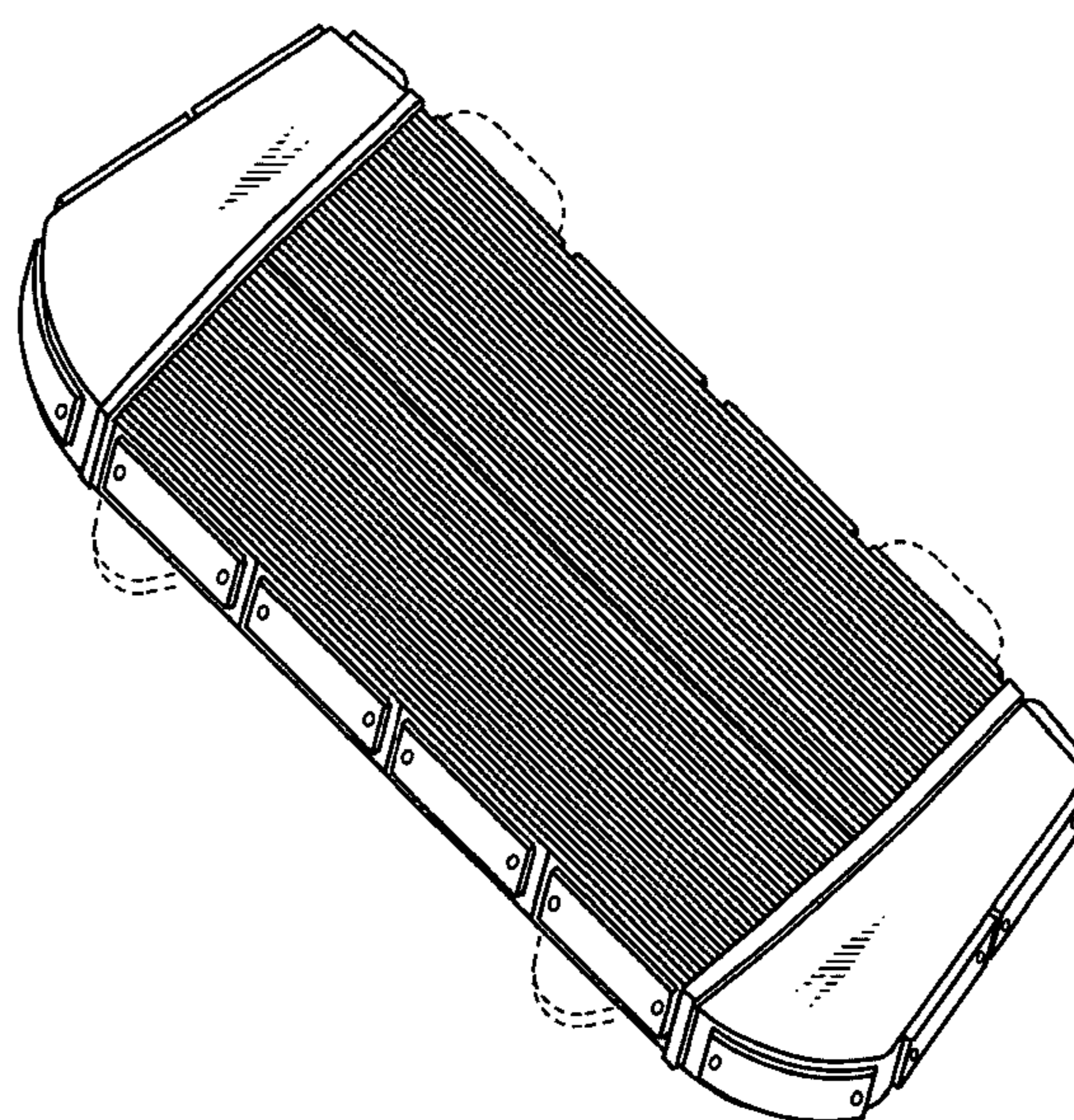
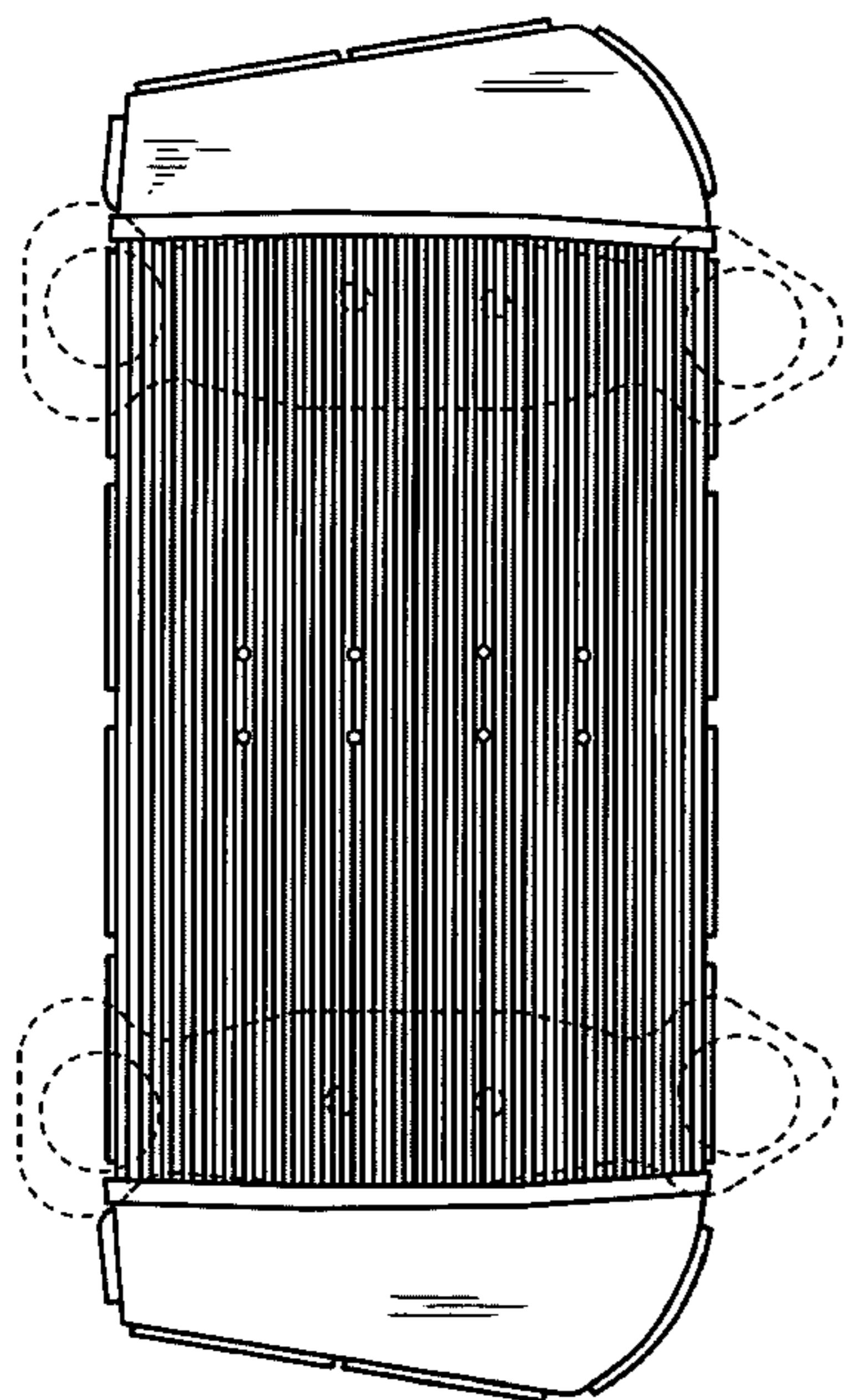
FIG. 7 is an isometric view thereof; and,

FIG. 8 is a view of the low profile light bar for emergency vehicles mounted on the roof of vehicle.

The broken lines in FIG. 1, FIG. 3 and FIG. 7 depict environmental subject matter of mounting hardware for the invention and form no part of the claimed design.

The broken lines in FIG. 8 depict environmental subject matter of mounting hardware for the invention on a vehicle only and form no part of the claimed design.

1 Claim, 4 Drawing Sheets



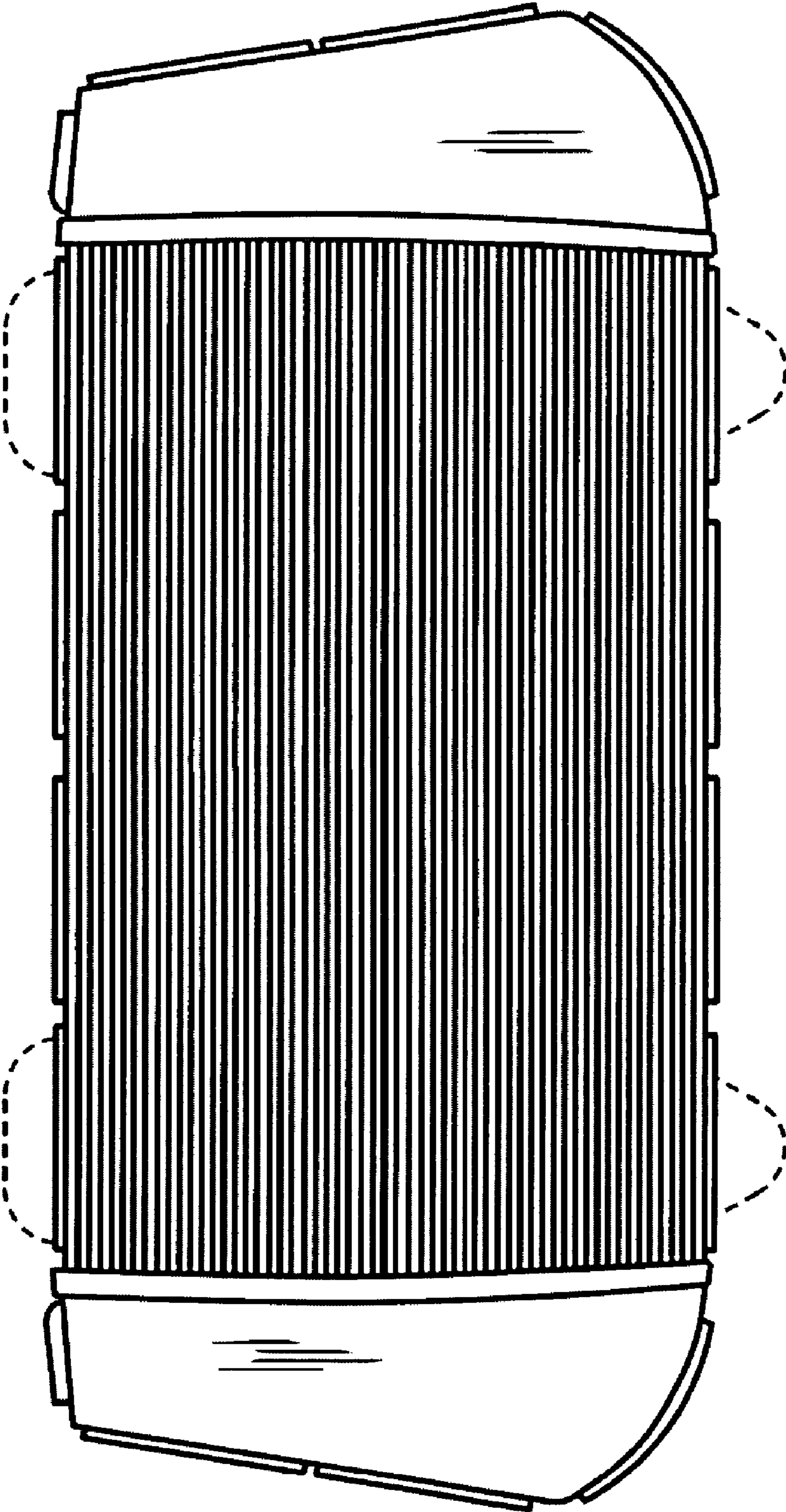


FIG. 1

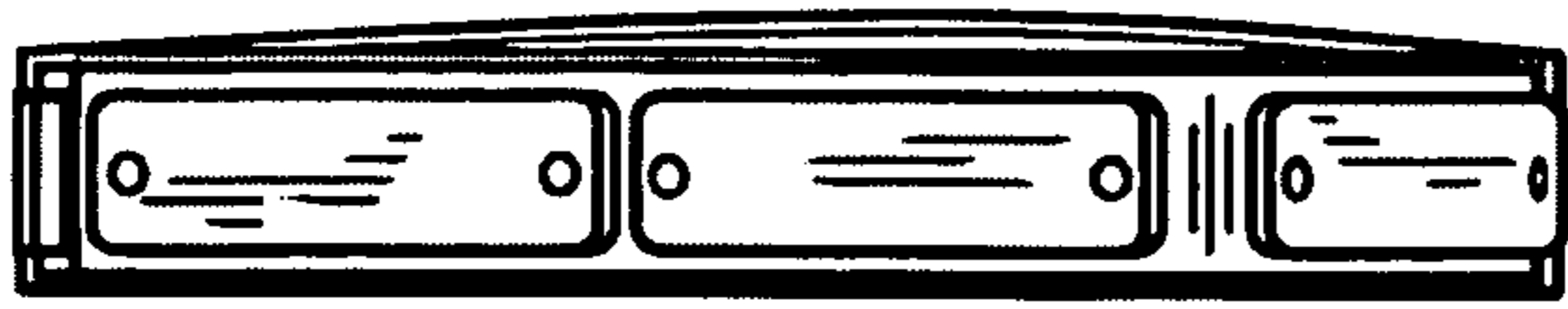


FIG. 2

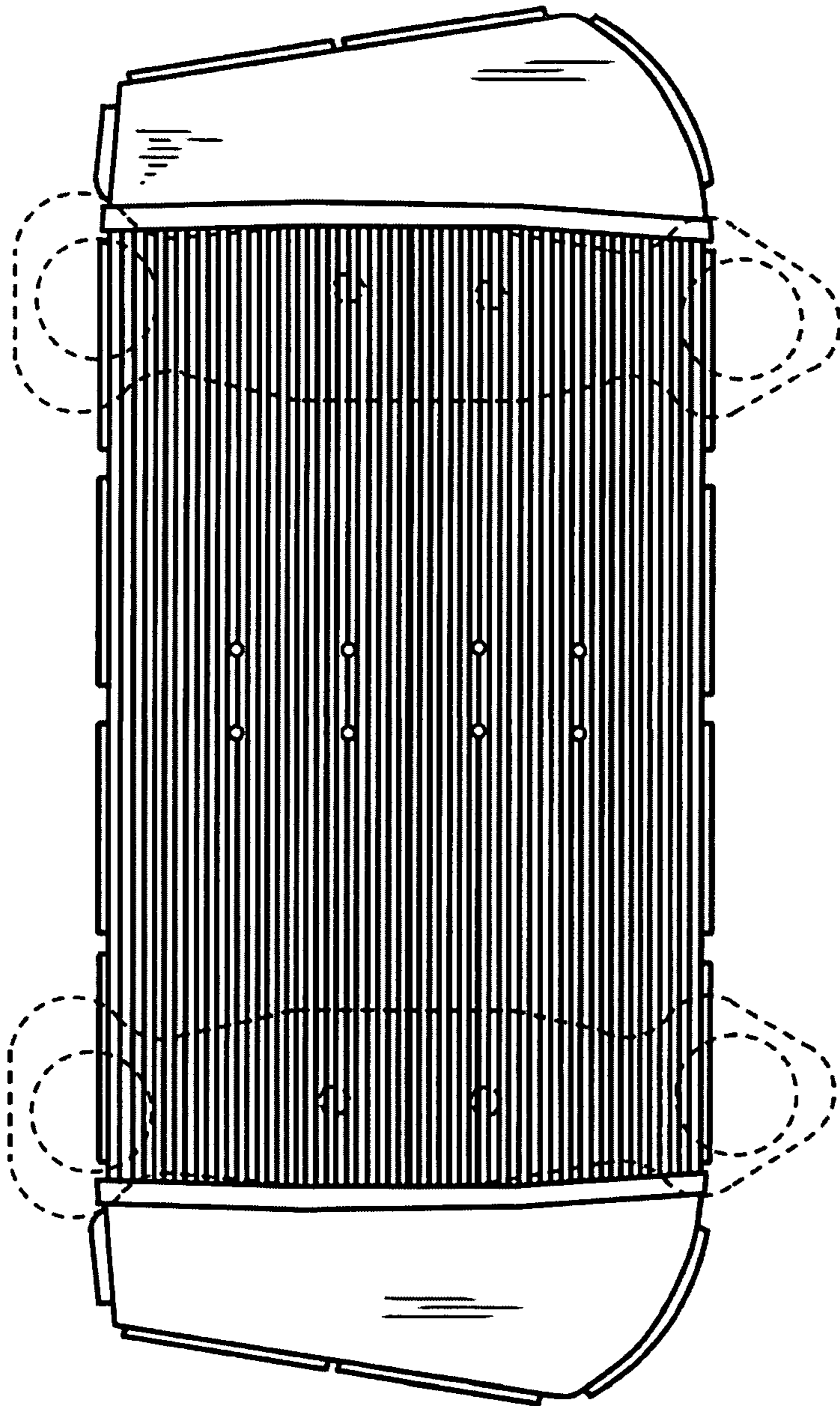


FIG. 3

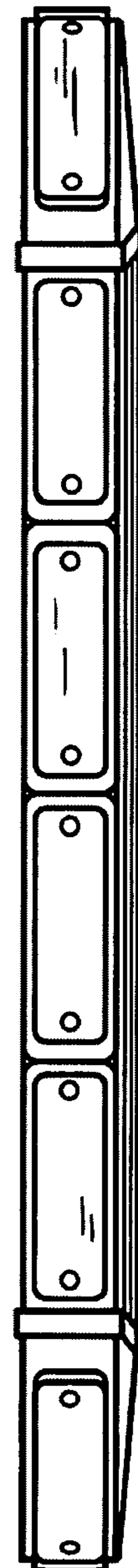


FIG. 4

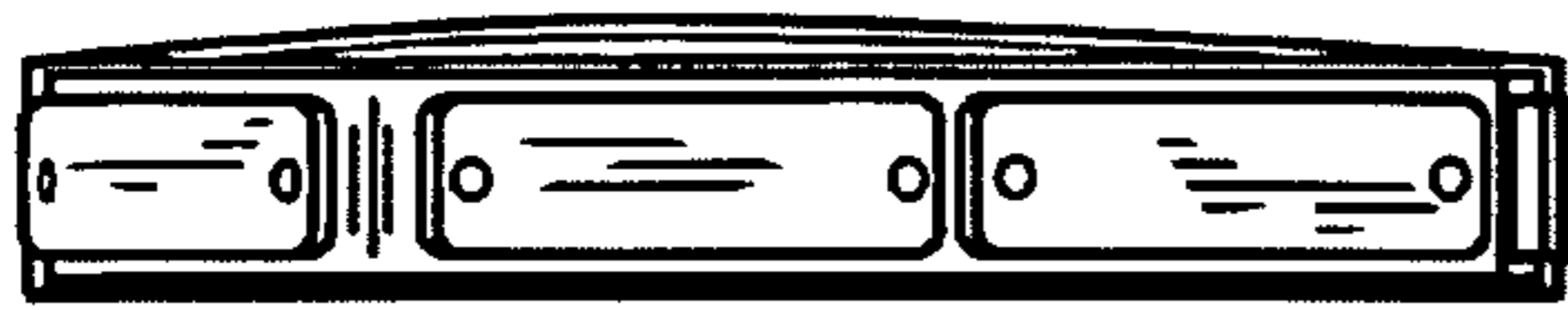


FIG. 5

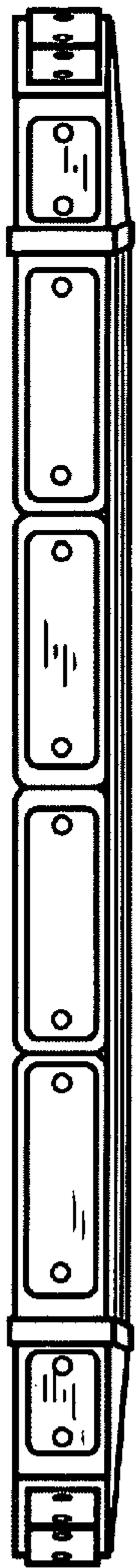


FIG. 6

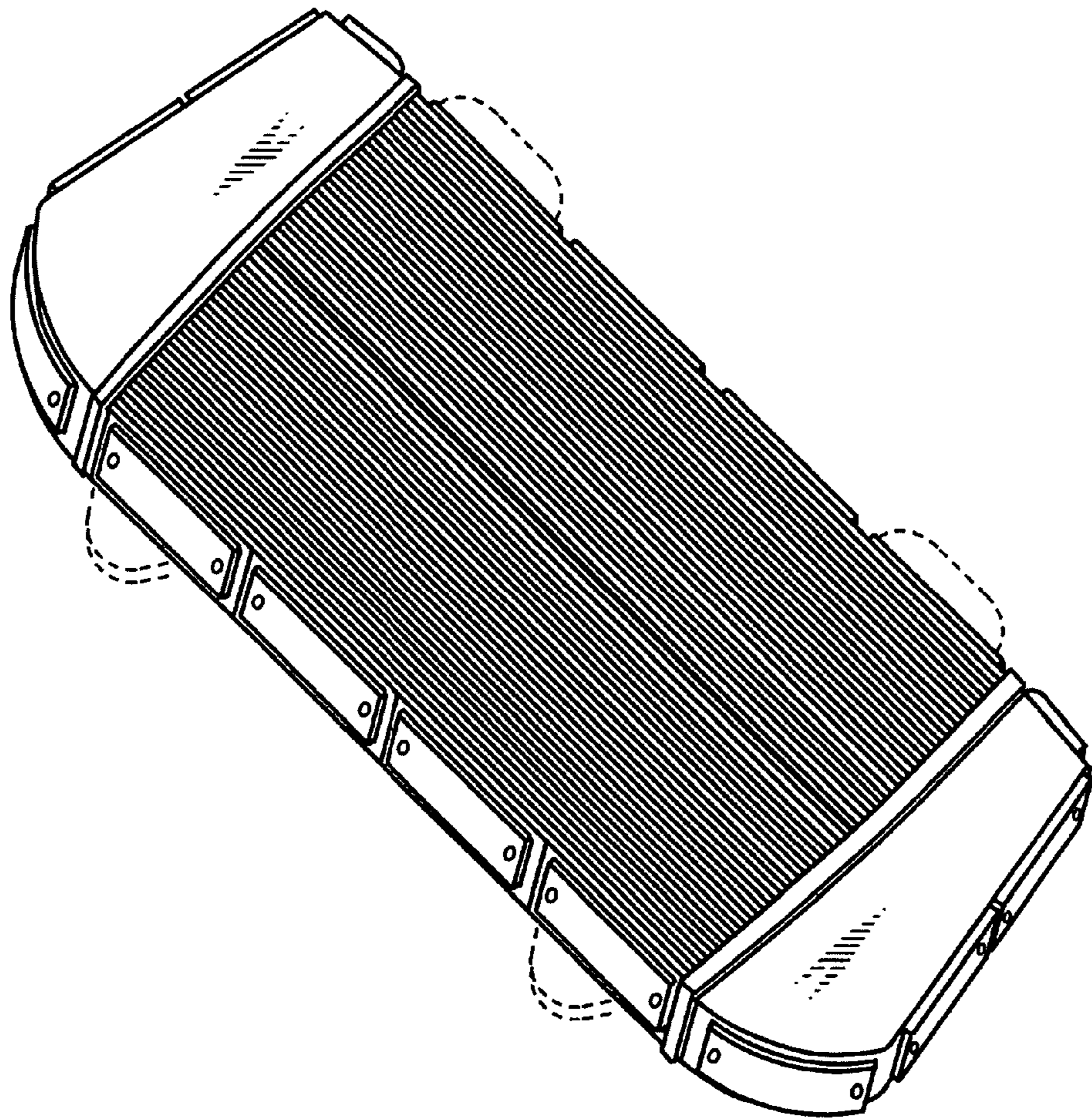


FIG. 7

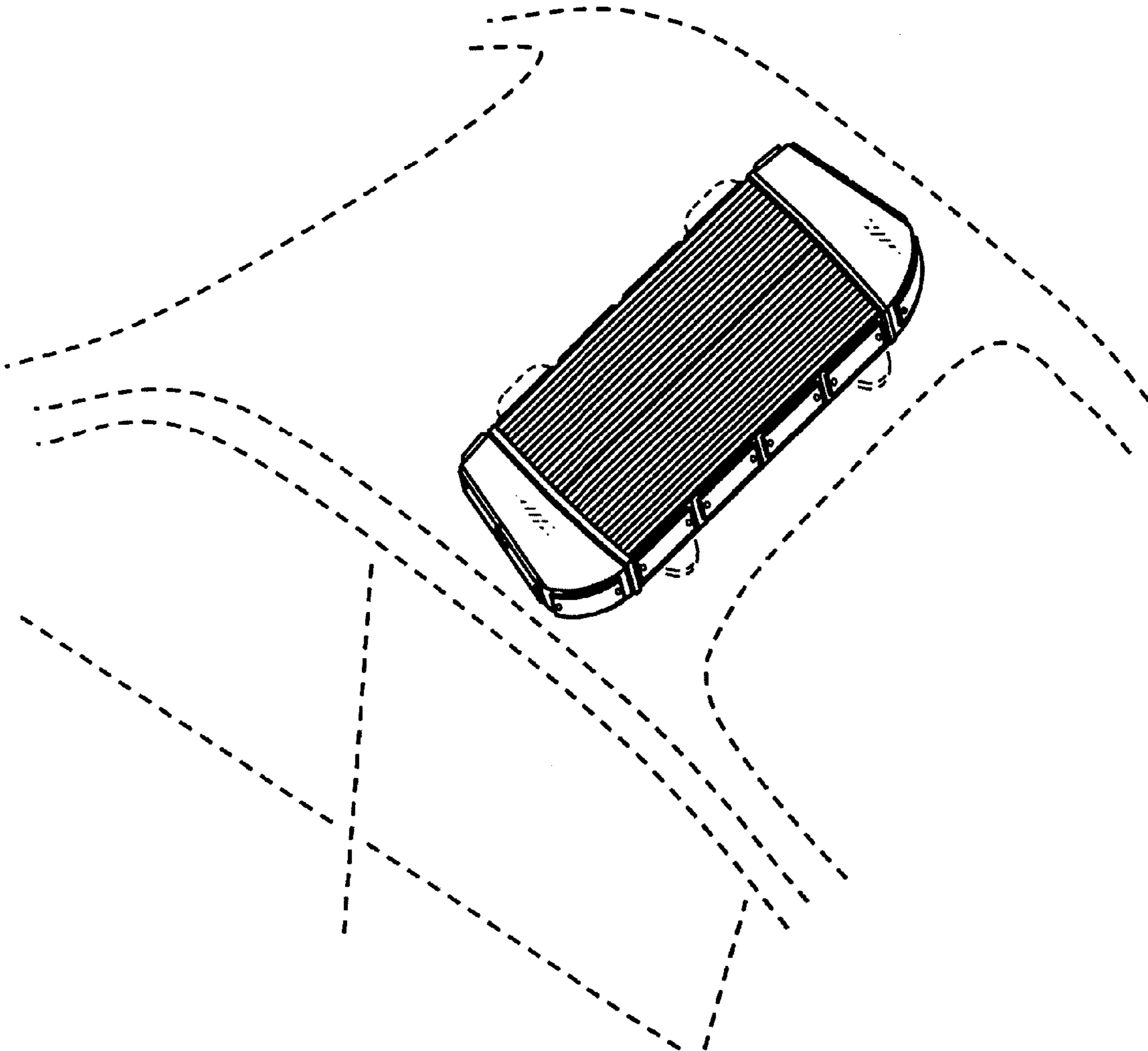


FIG. 8