

US00D578423S

(12) **United States Design Patent**
Otsuka et al.

(10) **Patent No.:** **US D578,423 S**

(45) **Date of Patent:** **** Oct. 14, 2008**

(54) **BODY COMPOSITION METER**

(75) Inventors: **Takeshi Otsuka**, Kawagoe (JP); **Hiroshi Kajimoto**, Tokyo (JP)

(73) Assignee: **Tanita Corporation**, Tokyo (JP)

(**) Term: **14 Years**

(21) Appl. No.: **29/293,675**

(22) Filed: **Dec. 6, 2007**

(30) **Foreign Application Priority Data**

Jan. 25, 2007 (JP) 2007-015375

(51) **LOC (8) Cl.** **10-04**

(52) **U.S. Cl.** **D10/92**

(58) **Field of Classification Search** D10/92;
177/25.12–25.18, 238–245, 177, 126, 1,
177/181, 210 R, 210 C, 25, 30, 127, DIG. 3;
600/506, 547

See application file for complete search history.

(56) **References Cited**

U.S. PATENT DOCUMENTS

D531,535 S * 11/2006 Yamada et al. D10/92
D532,329 S * 11/2006 Yamada et al. D10/92
D552,499 S * 10/2007 Ashida et al. D10/92

OTHER PUBLICATIONS

Related U.S. Appl. No. 29/293,671, filed Dec. 6, 2007; Inventor: H. Akahori et al.

Related U.S. Appl. No. 29/293,672, filed Dec. 6, 2007; Inventor: H. Akahori et al.

Related U.S. Appl. No. 29/293,673, filed Dec. 6, 2007; Inventor: T. Otsuka et al.

Related U.S. Appl. No. 29/293,674, filed Dec. 6, 2007; Inventor: T. Otsuka et al.

Related U.S. Appl. No. 29/293,677, filed Dec. 6, 2007; Inventor: T. Otsuka et al.

Related U.S. Appl. No. 29/293,678, filed Dec. 6, 2007; Inventor: T. Otsuka et al.

* cited by examiner

Primary Examiner—Antoine D Davis

(74) *Attorney, Agent, or Firm*—Frishauf, Holtz, Goodman & Chick, P.C.

(57) **CLAIM**

The ornamental design for a body composition meter, as shown and described.

DESCRIPTION

FIG. 1 is a front, right side, bottom perspective view of a body composition meter showing our new design;

FIG. 2 is a front elevational view thereof;

FIG. 3 is a rear elevational view thereof;

FIG. 4 is a left side view thereof;

FIG. 5 is a right side view thereof;

FIG. 6 is a top plan view thereof;

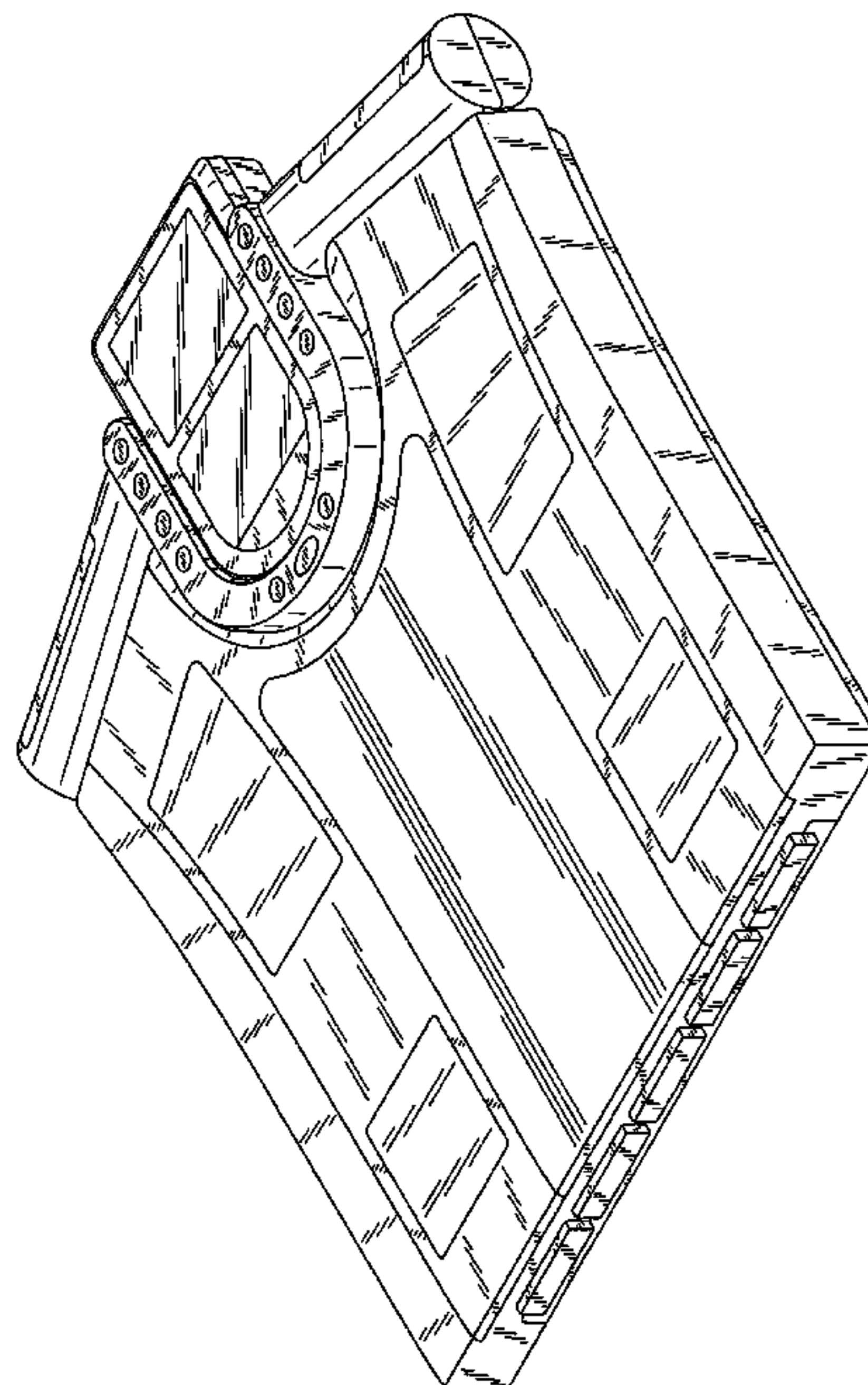
FIG. 7 is a bottom plan view thereof;

FIG. 8 is a perspective view thereof showing a state in which the operation display portion is detached from a body portion of this article; and,

FIG. 9 is a reference front elevational view thereof showing a state in which this article is electrified.

The portions in broken lines are shown for illustrative purposes only and form no part of the claimed design.

1 Claim, 8 Drawing Sheets



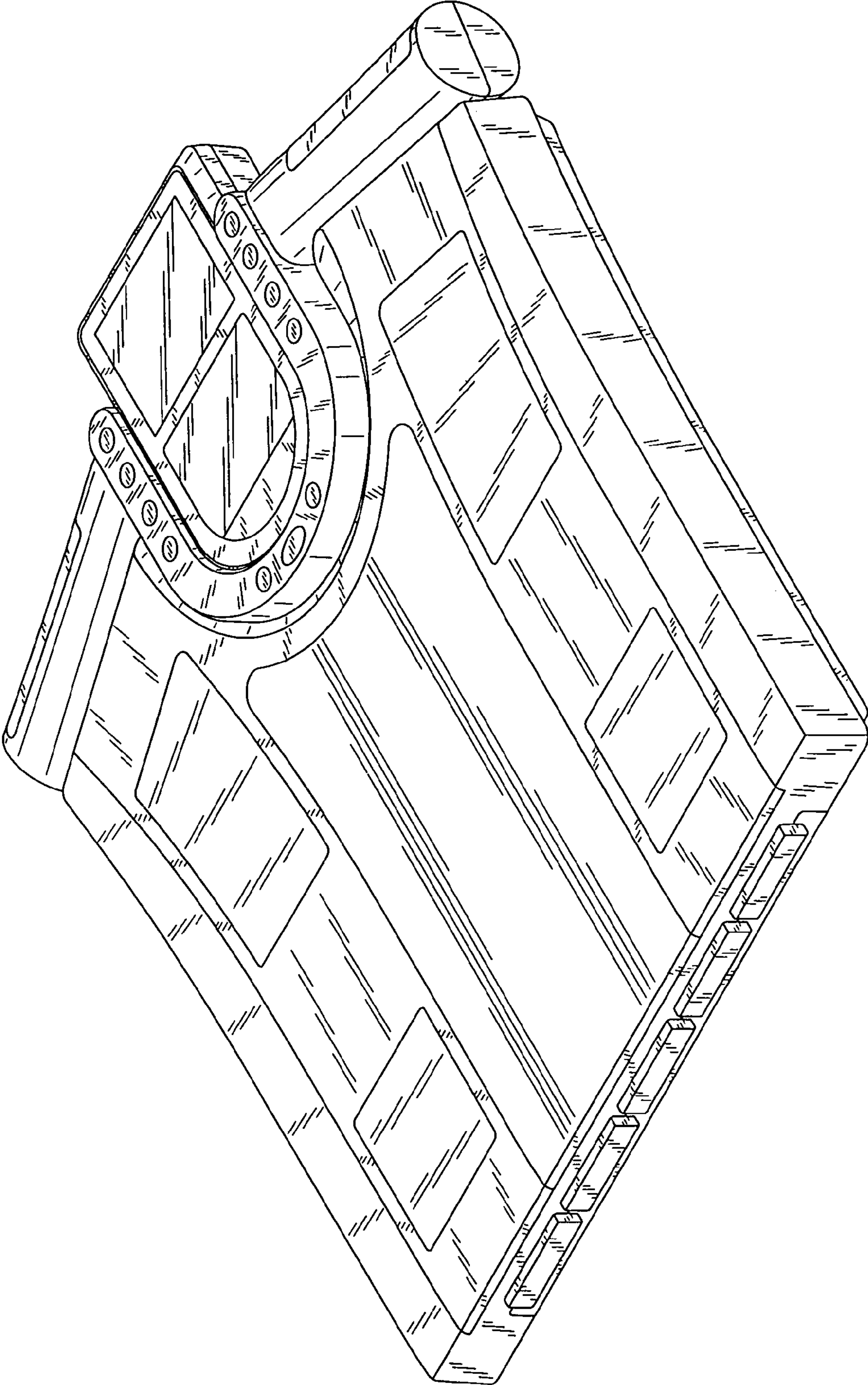


FIG. 1

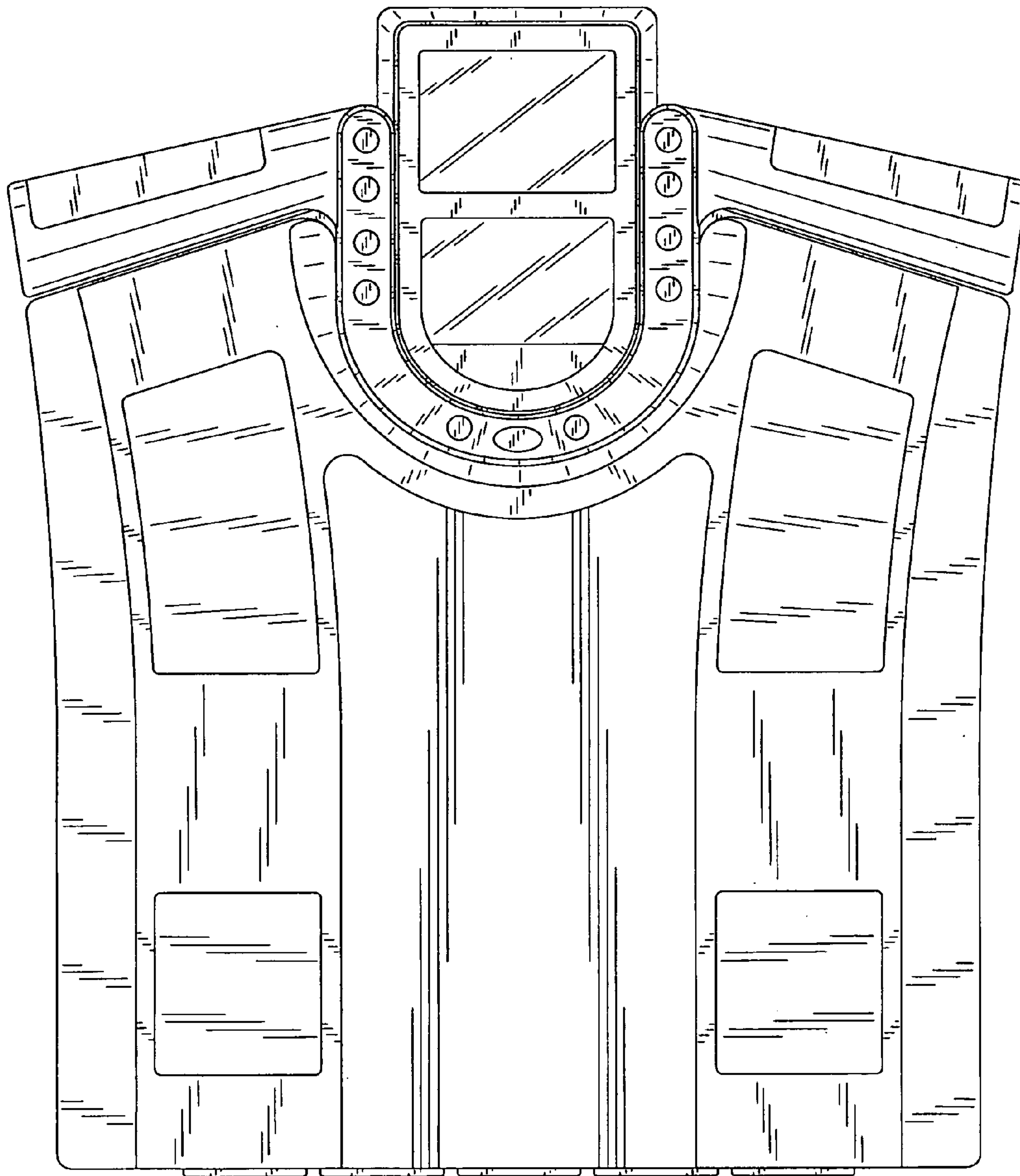


FIG. 2

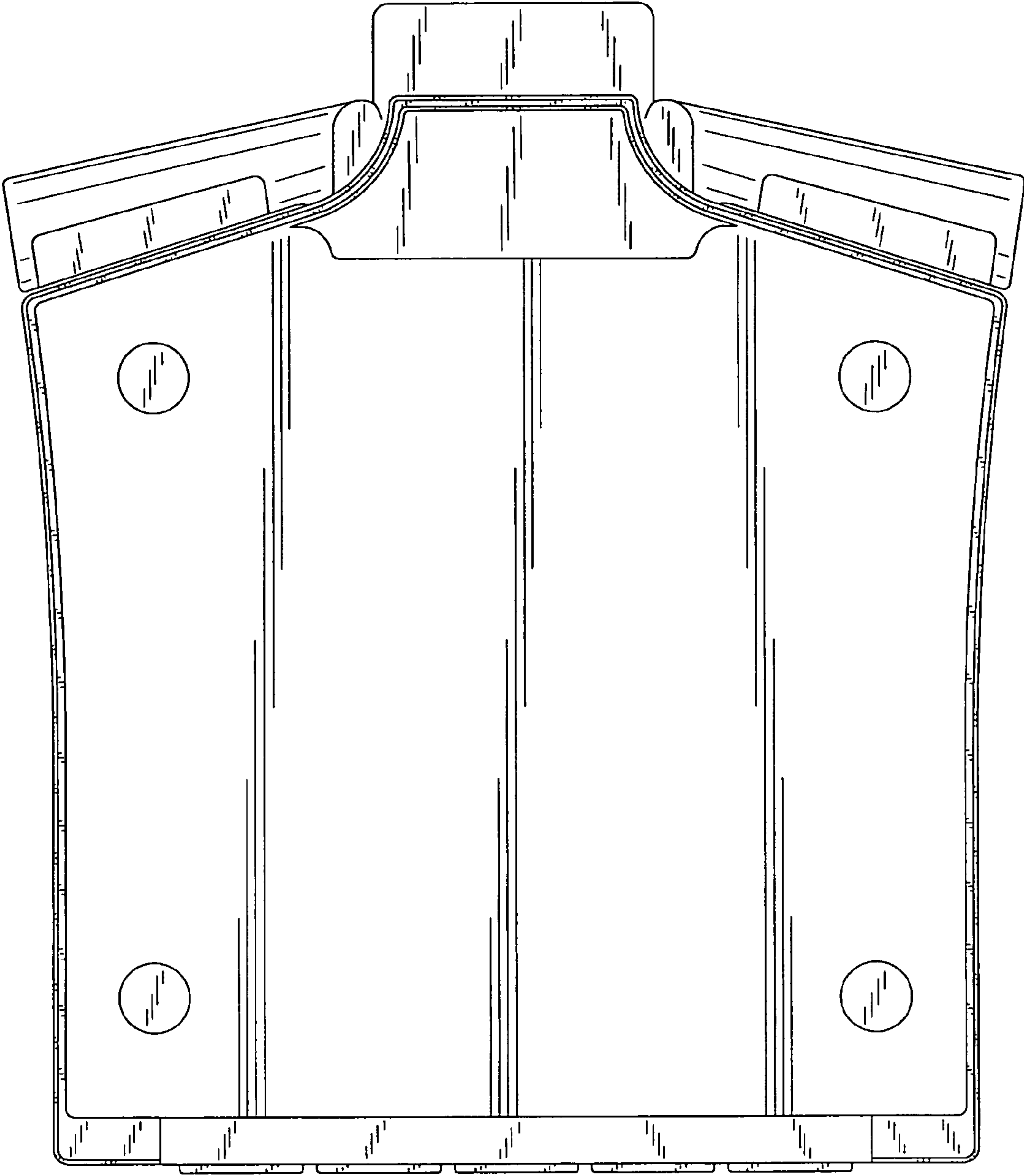


FIG. 3

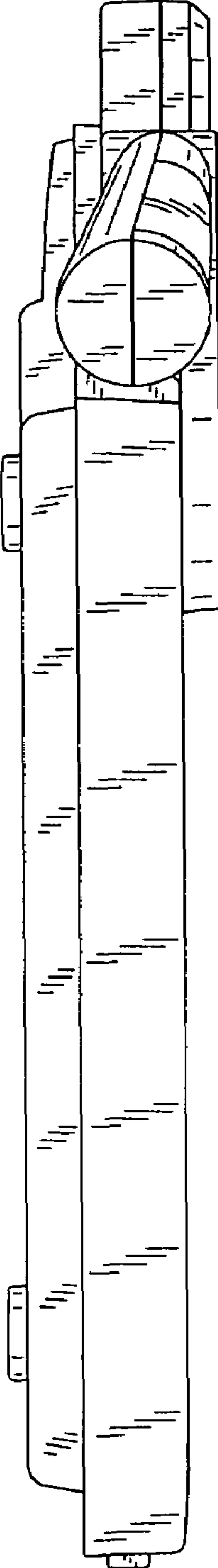


FIG. 4

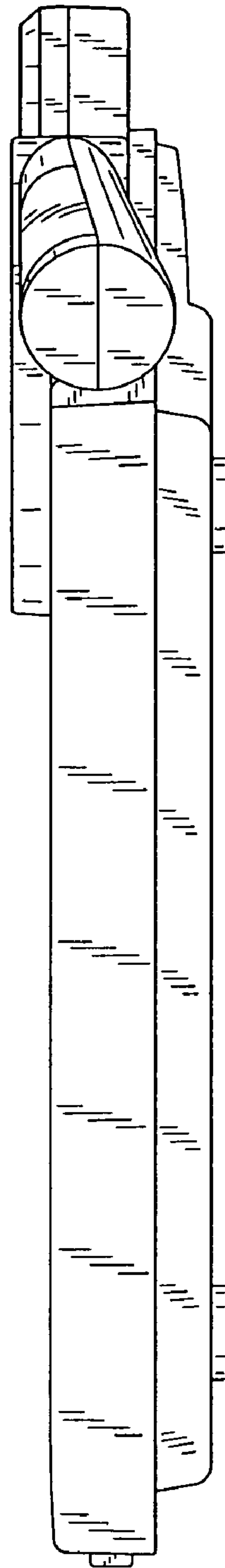


FIG. 5

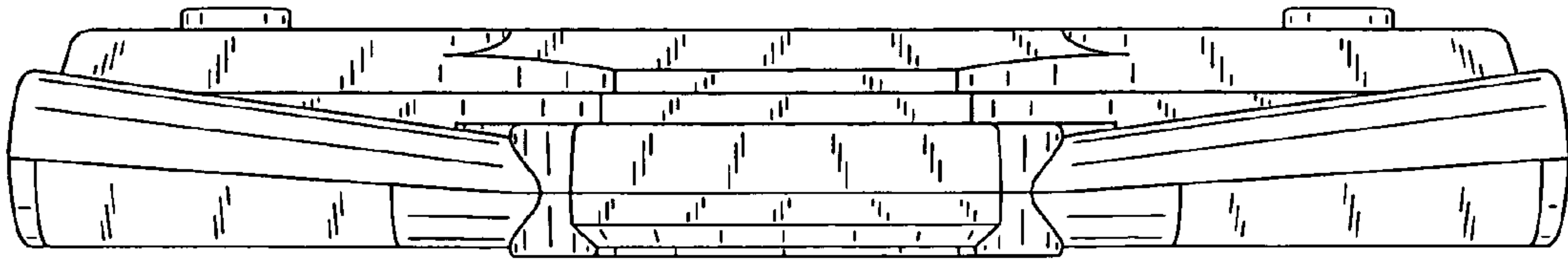


FIG. 6

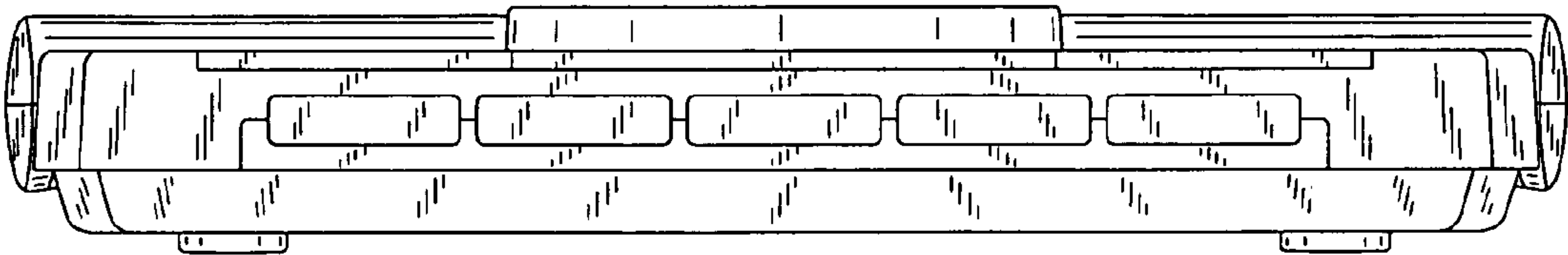


FIG. 7

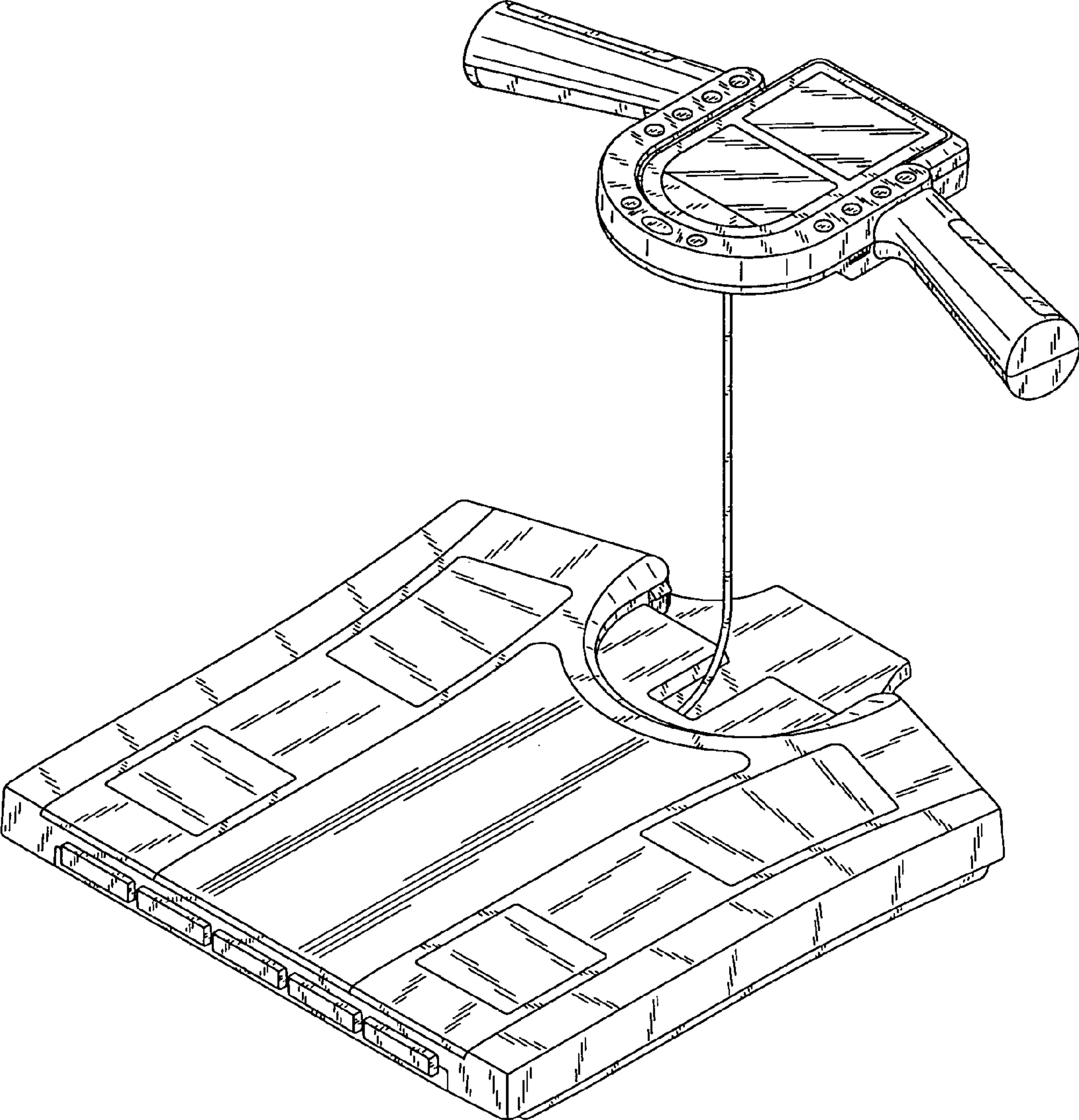


FIG. 8

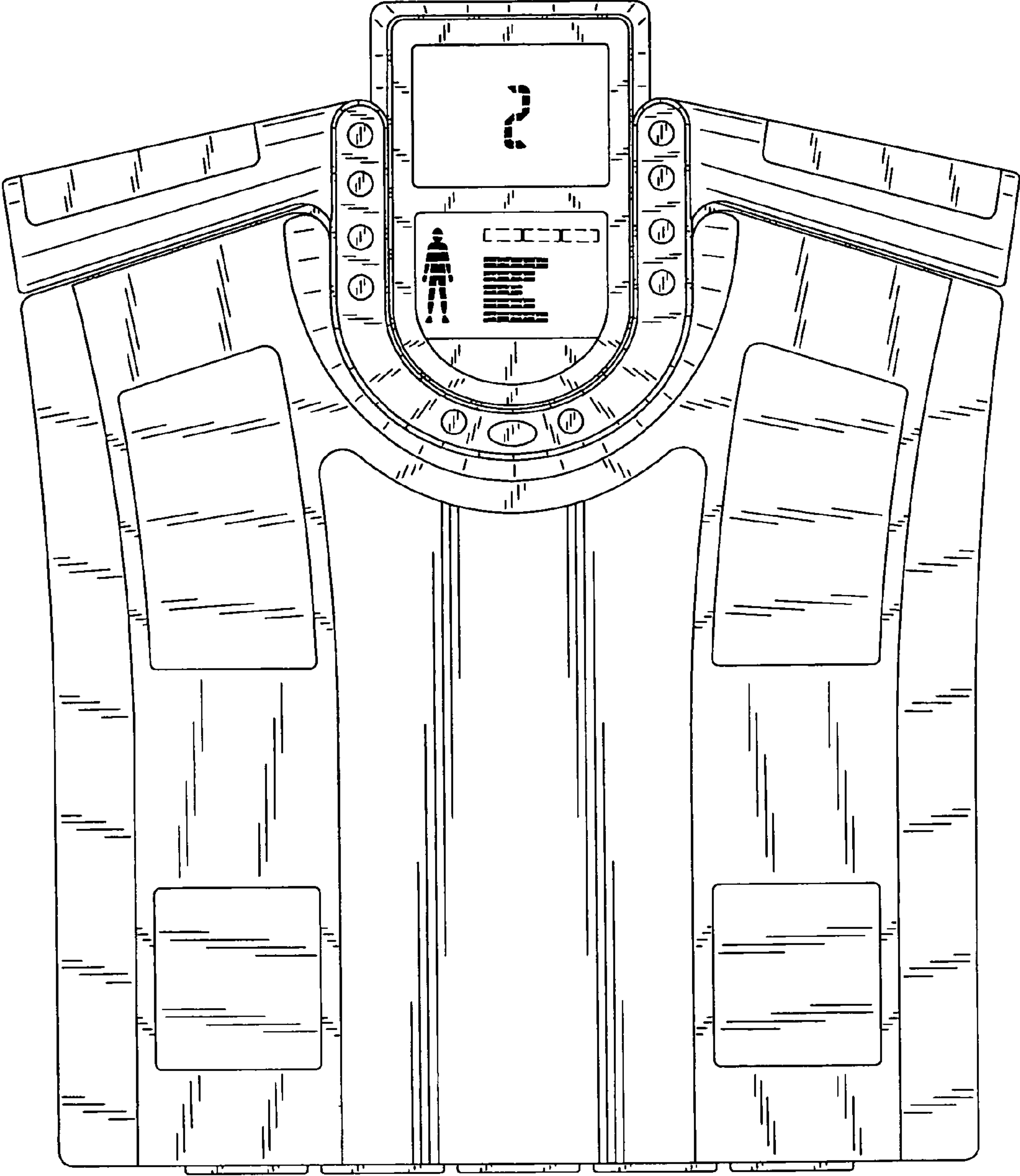


FIG. 9