



US00D578422S

(12) **United States Design Patent**  
**Kobayakawa et al.**

(10) **Patent No.:** **US D578,422 S**  
(45) **Date of Patent:** **\*\* Oct. 14, 2008**

(54) **SCALE MAIN BODY**

(75) Inventors: **Tatsutoshi Kobayakawa**, Tokyo (JP);  
**Hajime Matsumoto**, Tokyo (JP)

(73) Assignee: **Tanita Corporation**, Tokyo (JP)

(\*\*) Term: **14 Years**

(21) Appl. No.: **29/293,152**

(22) Filed: **Nov. 7, 2007**

(30) **Foreign Application Priority Data**

May 9, 2007 (JP) ..... 2007-012126

(51) **LOC (8) Cl.** ..... **10-04**

(52) **U.S. Cl.** ..... **D10/92**

(58) **Field of Classification Search** ..... D10/92,  
D10/94; 177/211, 239–245, 25.13–25.18,  
177/177, 199, 210 C, 210 R, DIG. 3, 262,  
177/4, 30, 126–127; 600/506, 547

See application file for complete search history.

(56) **References Cited**

**U.S. PATENT DOCUMENTS**

- D493,115 S \* 7/2004 Juteau ..... D10/92
- D498,159 S \* 11/2004 Joss et al. .... D10/92
- D498,690 S \* 11/2004 Joss et al. .... D10/92
- 7,022,920 B2 \* 4/2006 Hulburt et al. .... 177/126
- D528,936 S \* 9/2006 Kuskovsky et al. .... D10/92

- D546,222 S \* 7/2007 Gutmann et al. .... D10/92
- D551,106 S \* 9/2007 Petrucelli et al. .... D10/92
- 7,339,123 B2 \* 3/2008 Yamashita ..... 177/238

\* cited by examiner

*Primary Examiner*—Antoine D Davis

(74) *Attorney, Agent, or Firm*—Frishauf, Holtz, Goodman & Chick, P.C.

(57) **CLAIM**

The ornamental design for a scale main body, as shown and described.

**DESCRIPTION**

FIG. 1 is a front, right side, bottom perspective view of a scale main body showing our new design;

FIG. 2 is a front elevational view thereof;

FIG. 3 is a rear elevational view thereof;

FIG. 4 is a left side view thereof;

FIG. 5 is a right side view thereof;

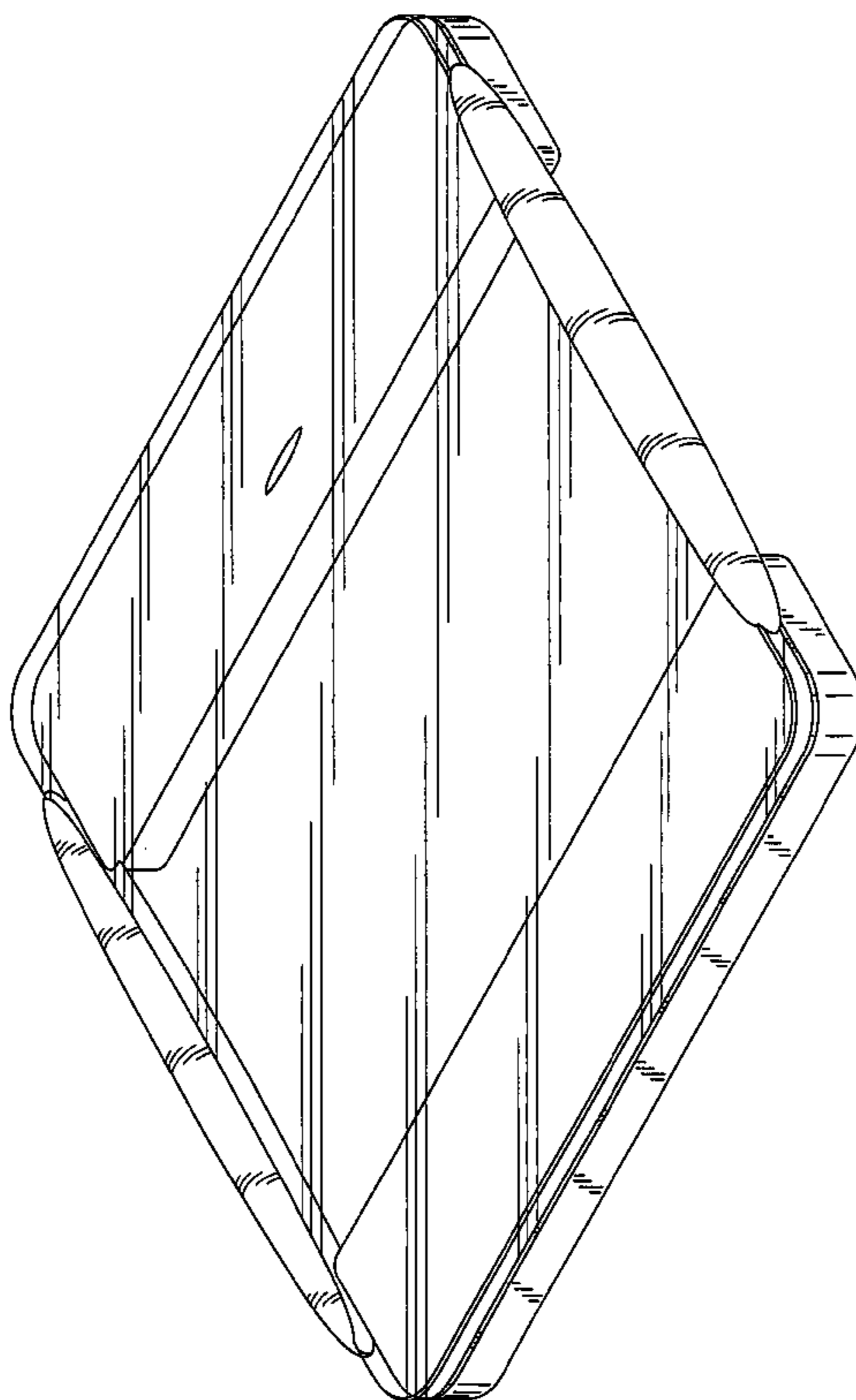
FIG. 6 is a top plan view thereof;

FIG. 7 is a bottom plan view thereof; and,

FIG. 8 is a reference view thereof showing a state in which this article is used.

The portions in broken lines are shown for illustrative purposes only and form no part of the claimed design.

**1 Claim, 7 Drawing Sheets**



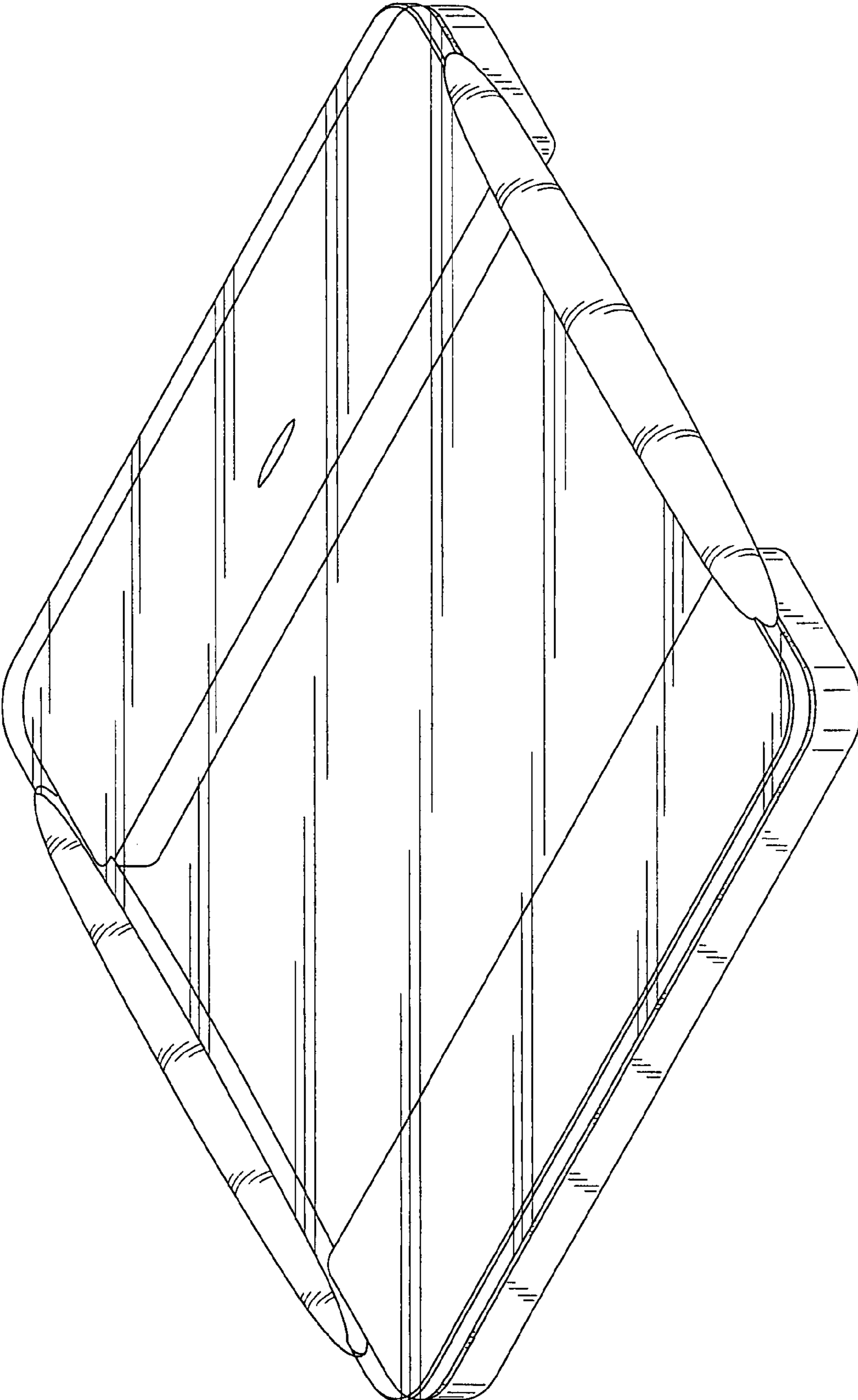


FIG. 1

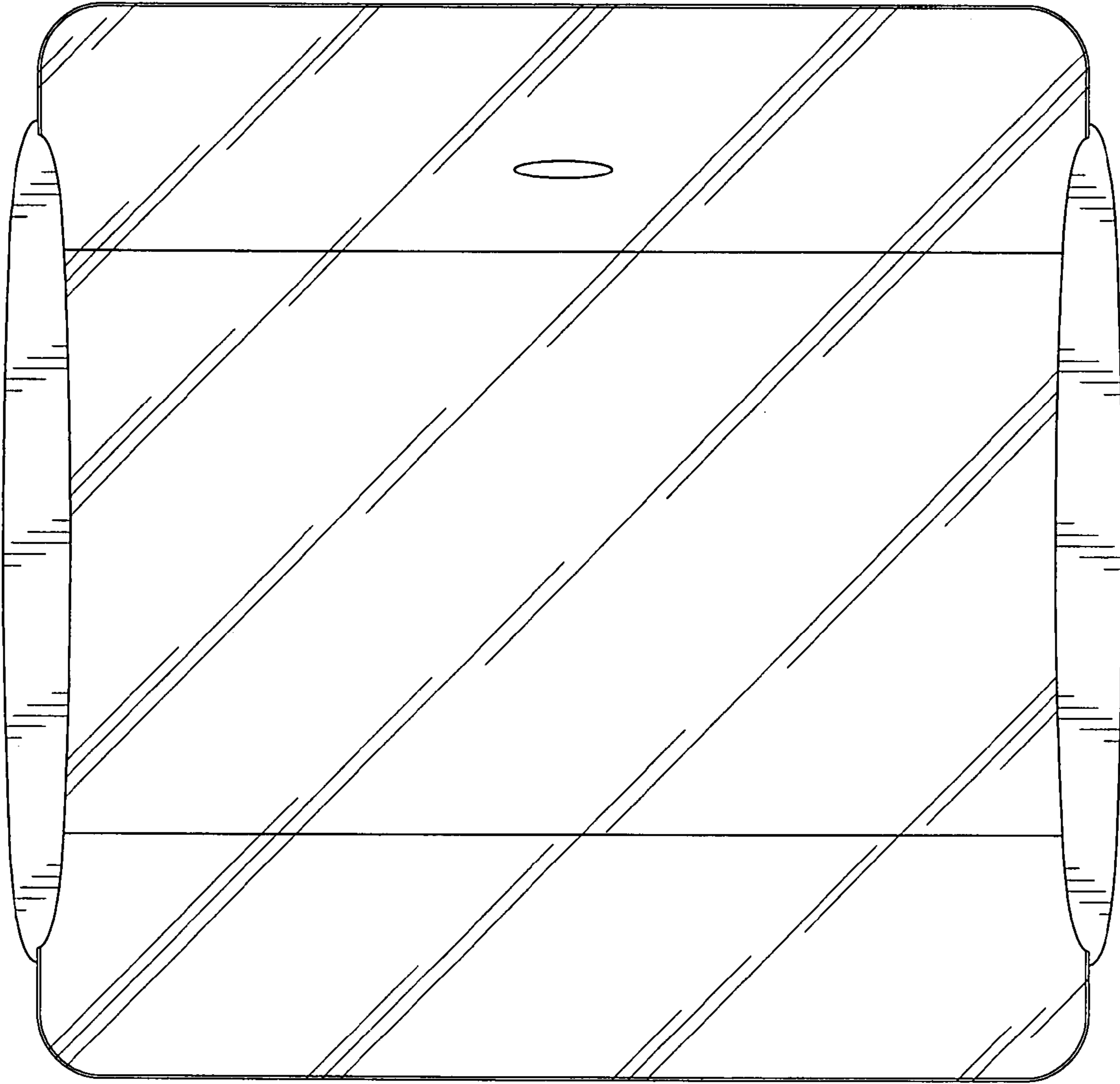


FIG. 2

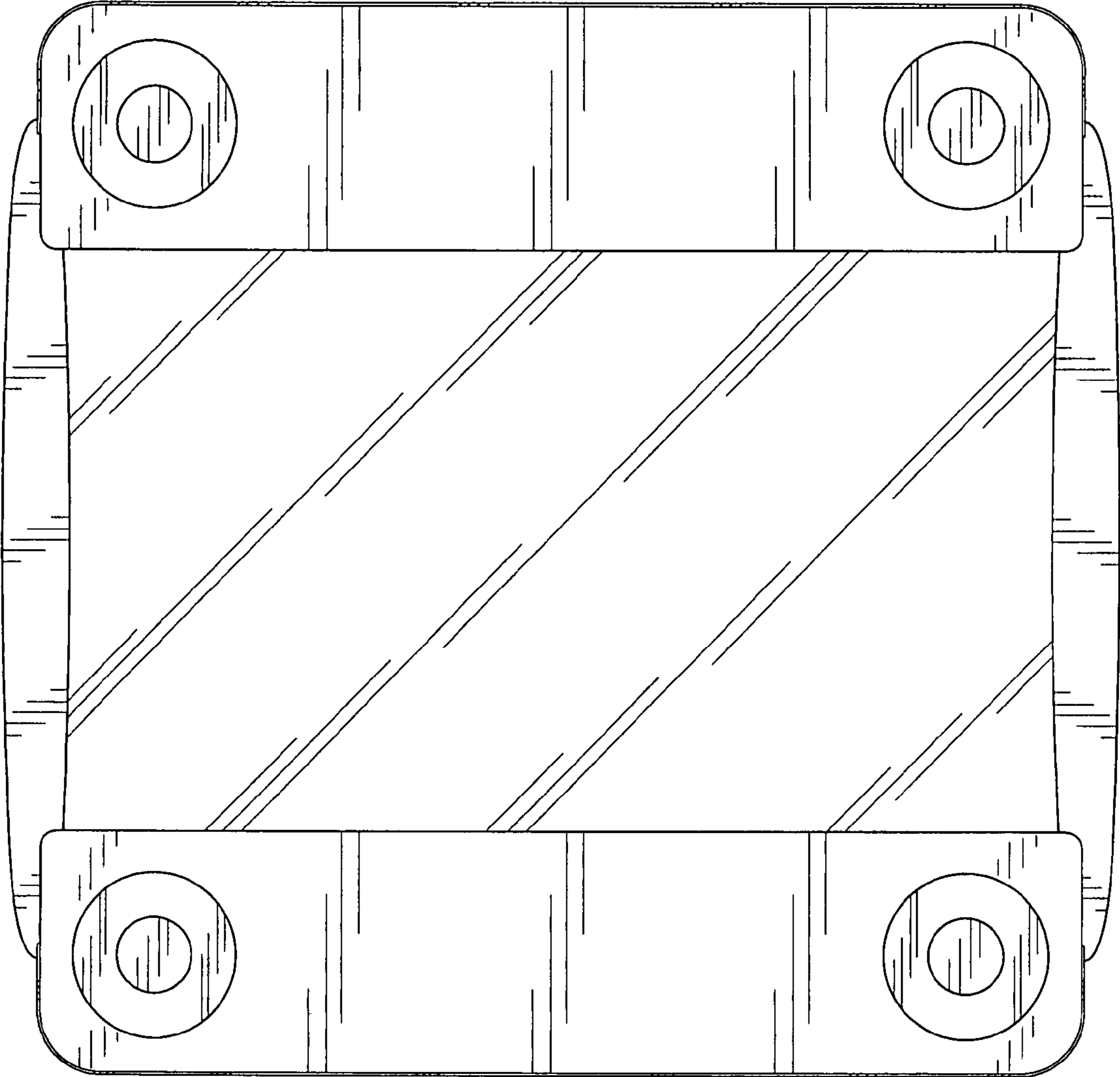
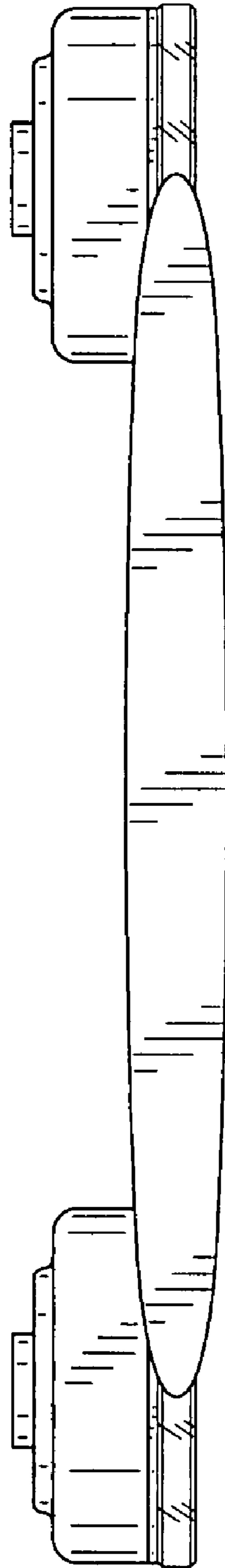
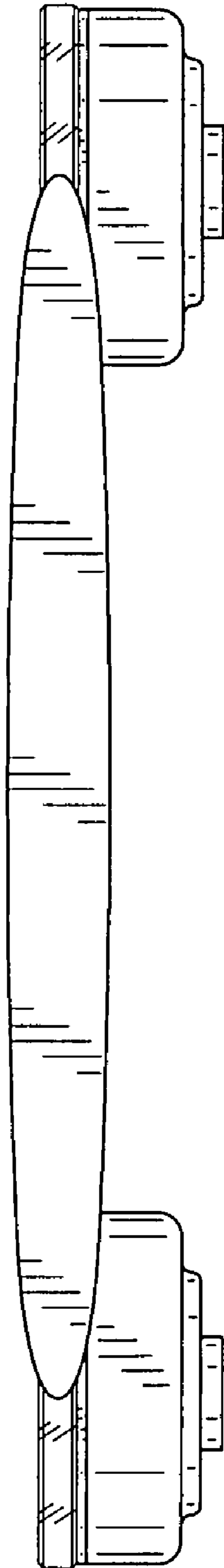


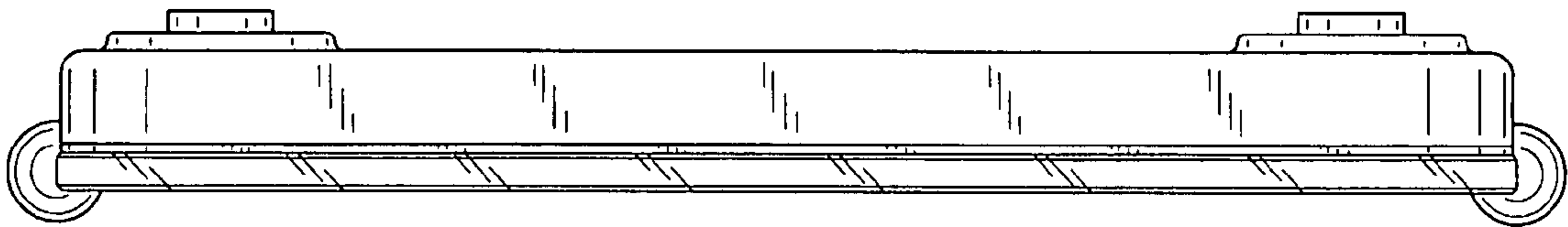
FIG. 3



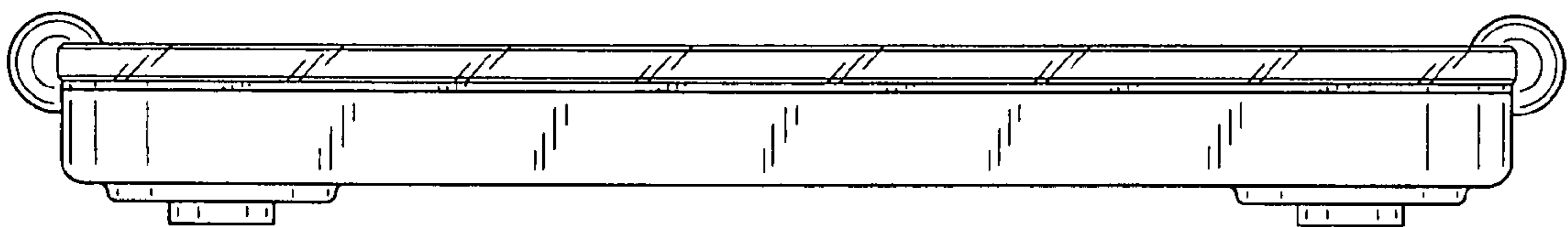
**FIG. 4**



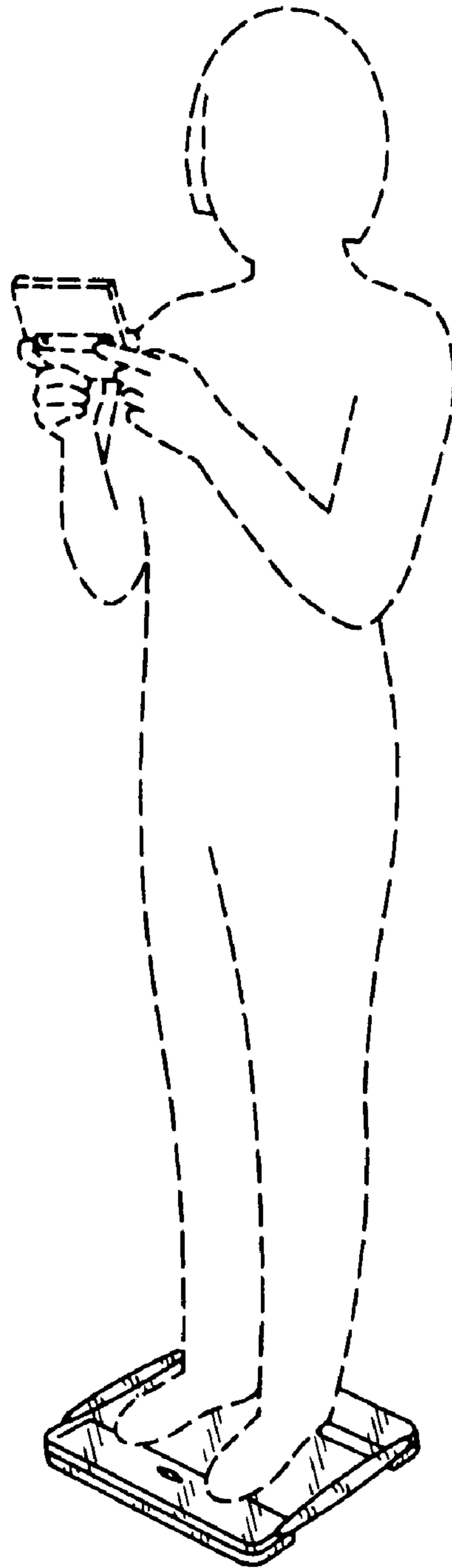
**FIG. 5**



**FIG. 6**



**FIG. 7**



**FIG. 8**