



US00D578421S

(12) **United States Design Patent**
Kesselman

(10) **Patent No.:** **US D578,421 S**
(45) **Date of Patent:** **** Oct. 14, 2008**

(54) **HANDHELD SCALE WITH REMOVABLE COVER**

(76) Inventor: **Joshua David Kesselman**, 3315 W. Buckeye Rd., Ste. B, Phoenix, AZ (US) 85009

(**) Term: **14 Years**

(21) Appl. No.: **29/294,681**

(22) Filed: **Jan. 24, 2008**

(51) **LOC (8) Cl.** **10-04**

(52) **U.S. Cl.** **D10/91**

(58) **Field of Classification Search** D10/91-92;
177/238-245, 210 R, 210 C, 25, 30, 25.15,
177/25.16, 25.13, 126, 127, DIG. 3; 600/506,
600/547

See application file for complete search history.

(56) **References Cited**

U.S. PATENT DOCUMENTS

D509,159 S *	9/2005	Kesselman	D10/87
D521,889 S *	5/2006	Kesselman	D10/91
D550,108 S *	9/2007	Kesselman	D10/91
D550,574 S *	9/2007	Barnes et al.	D10/91
D552,498 S *	10/2007	Roesmann et al.	D10/91
D562,712 S *	2/2008	Barnes et al.	D10/91

* cited by examiner

Primary Examiner—Antoine D Davis

(57) **CLAIM**

The ornamental design for a handheld scale with removable cover, as shown and described.

DESCRIPTION

This application claims the benefit of U.S. design Pat. No. D488,732 filed on Apr. 1, 2003, U.S. design Pat. No. D521,889 filed on Feb. 1, 2005, U.S. design Pat. No. D448,316 filed on Feb. 9, 2001 and U.S. design Pat. No. D486,088 filed on Jun. 2, 2003.

FIG. 1 is a perspective view of my new handheld scale with removable cover design

FIG. 2 is a top view of my new handheld scale with removable cover design

FIG. 3. is a bottom view of my new handheld scale with removable cover design

FIG. 4 is a left side view of my new handheld scale with removable cover design

FIG. 5 is a right side, upside-down view of my new handheld scale with removable cover design

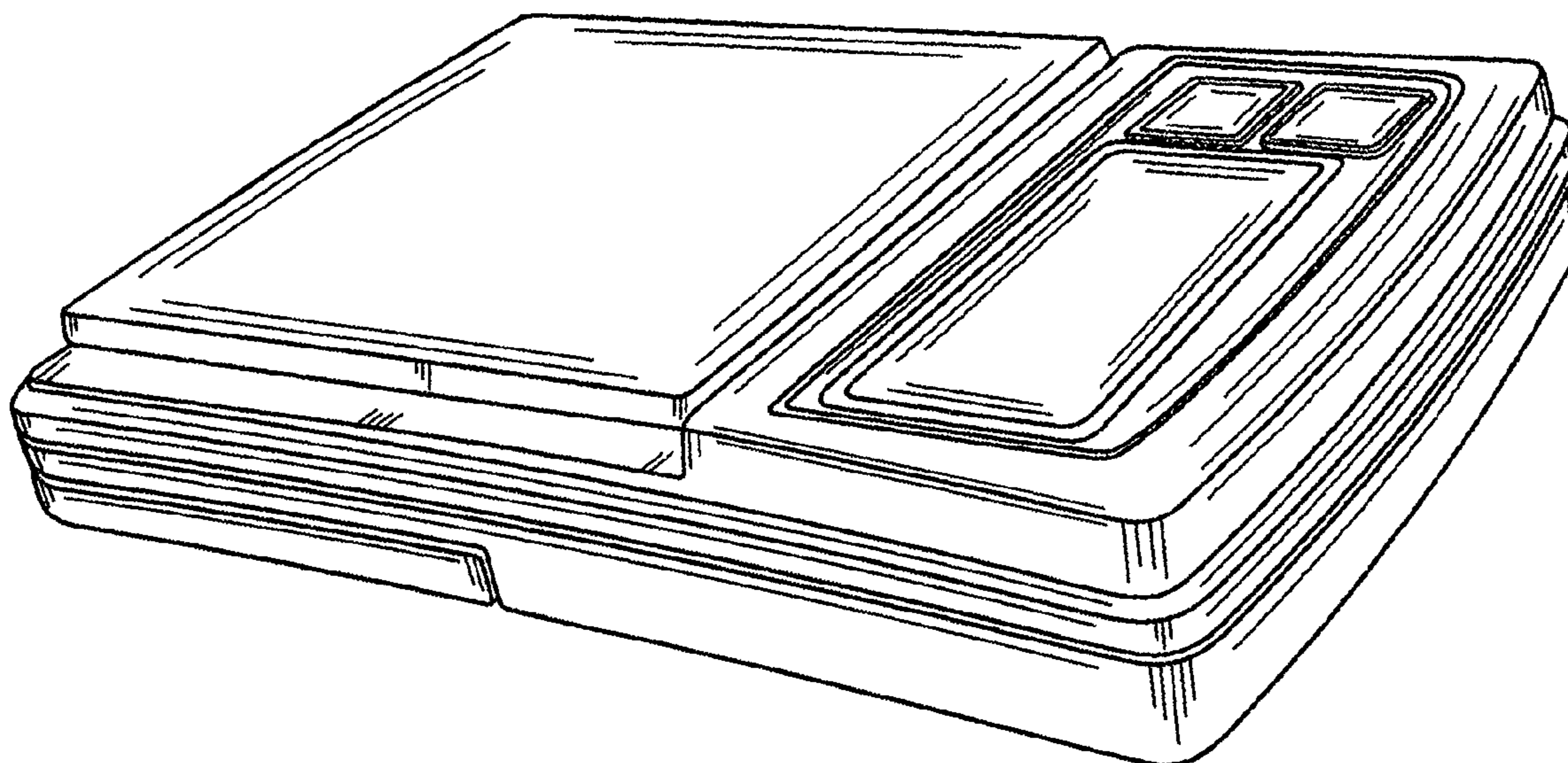
FIG. 6 is a back side view of my new handheld scale with removable cover design

FIG. 7 is a front side view of my new handheld scale with removable cover design; and,

FIG. 8 is a closed-cover perspective view of my new handheld scale with removable cover design.

My handheld scale with removable cover design is characterized by a case with a removable cover that functions as a weighing tray with a weighing table in a square shape with a rectangular-shaped LCD display that is adjacent to functional buttons in a square display.

1 Claim, 4 Drawing Sheets



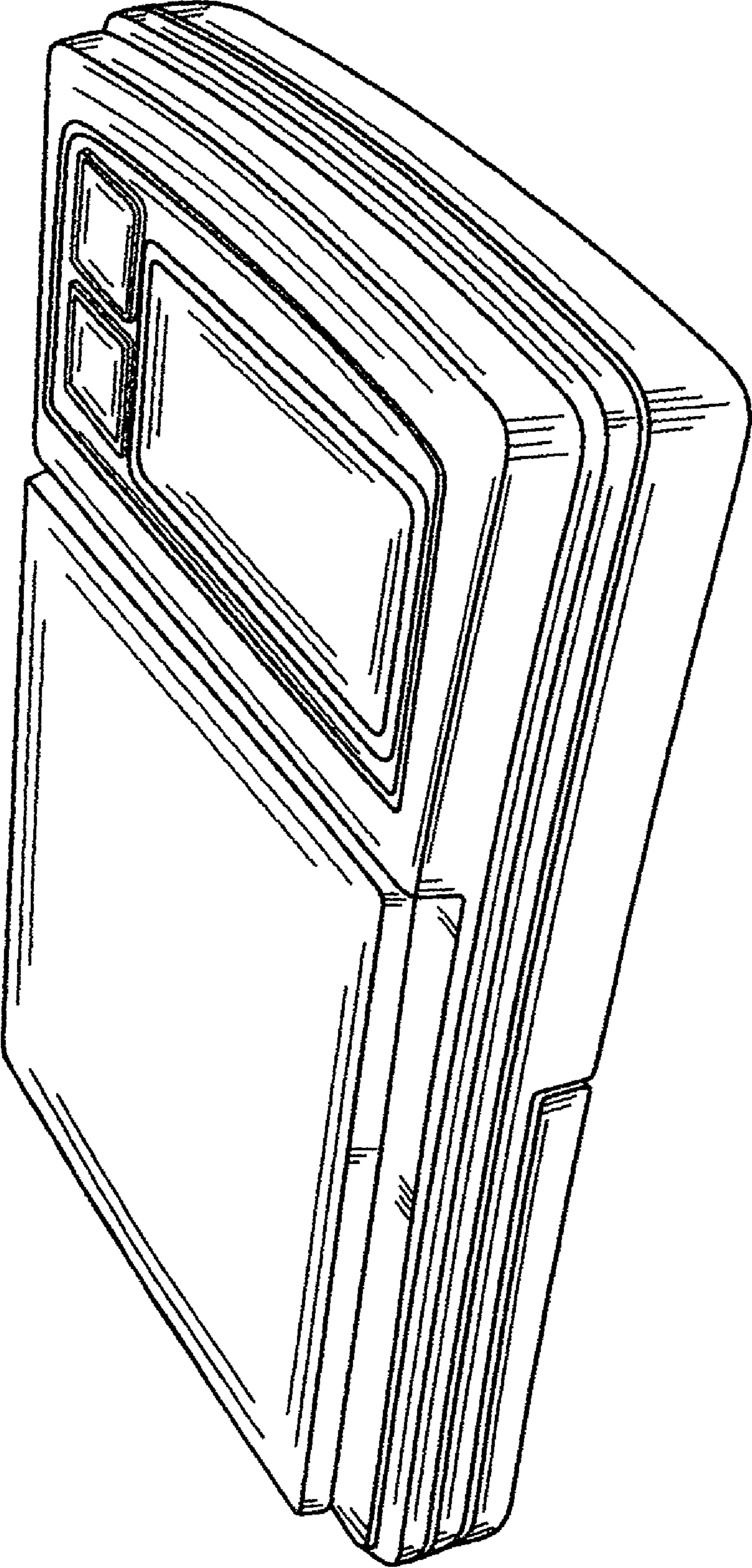


FIG. 1

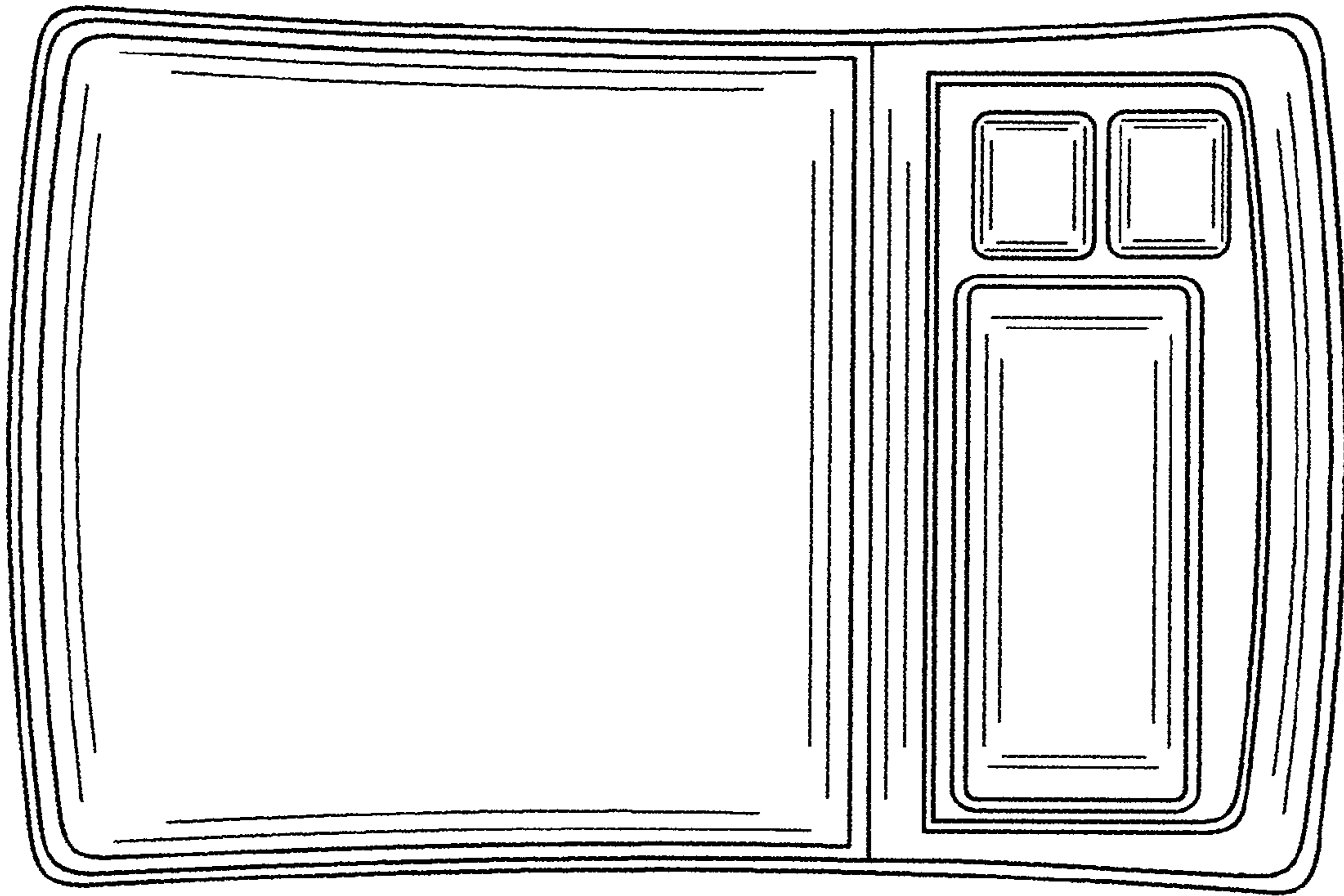


FIG. 2

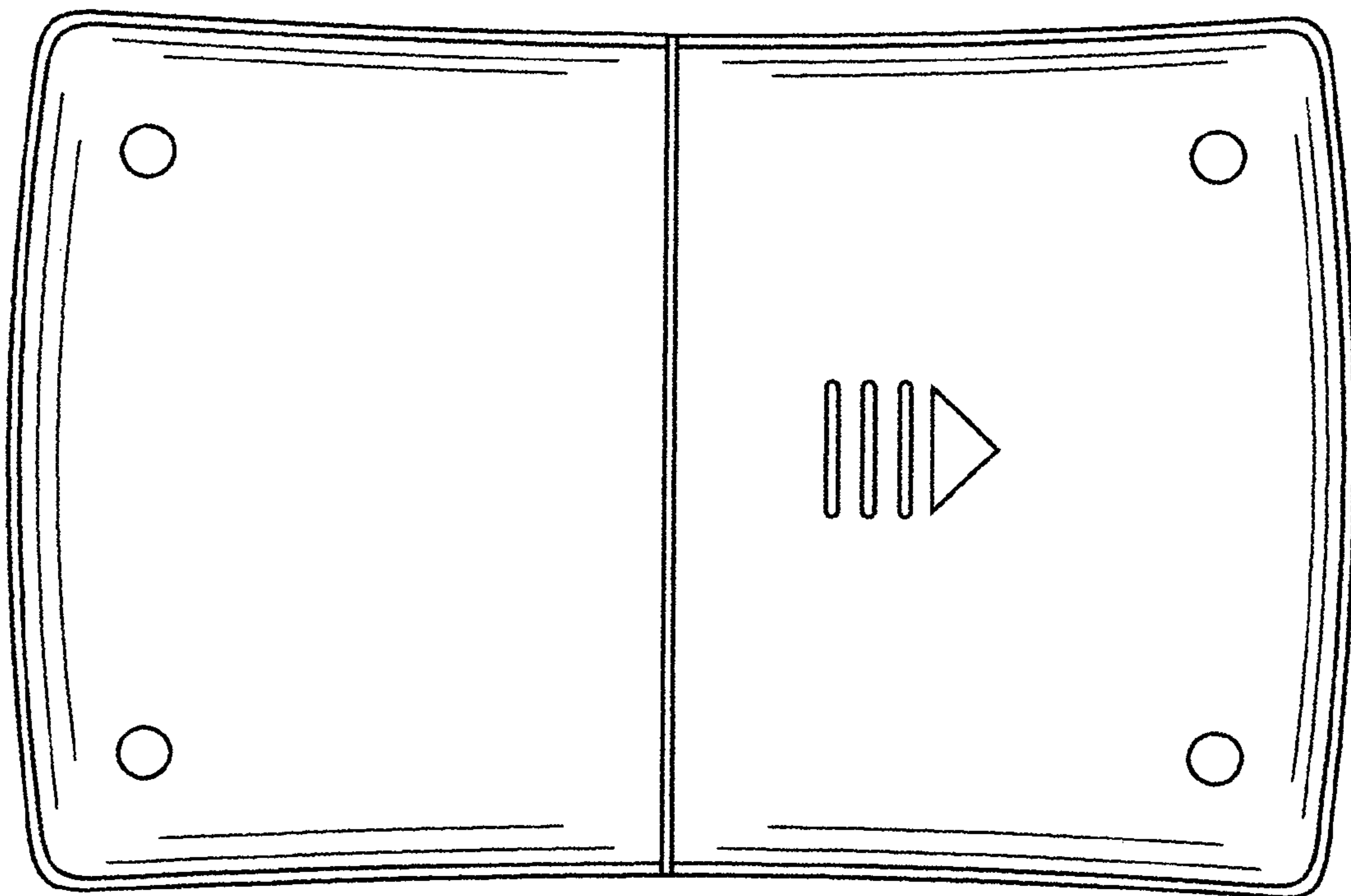


FIG. 3

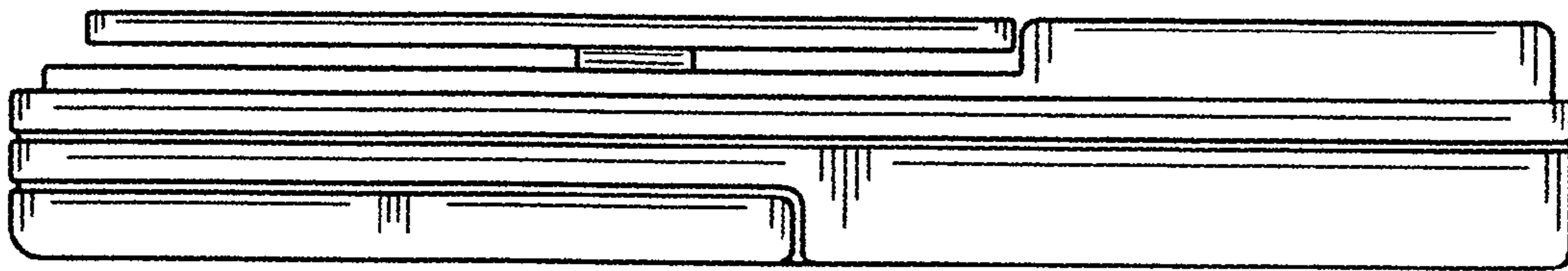


FIG. 4

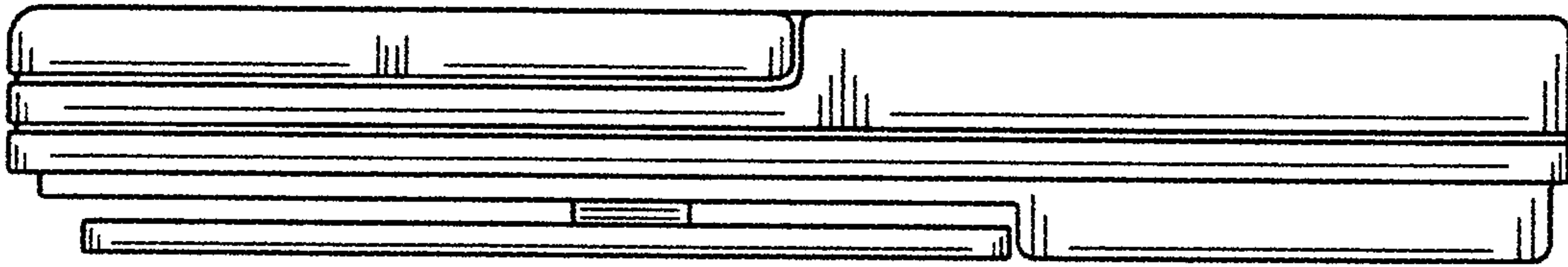


FIG. 5

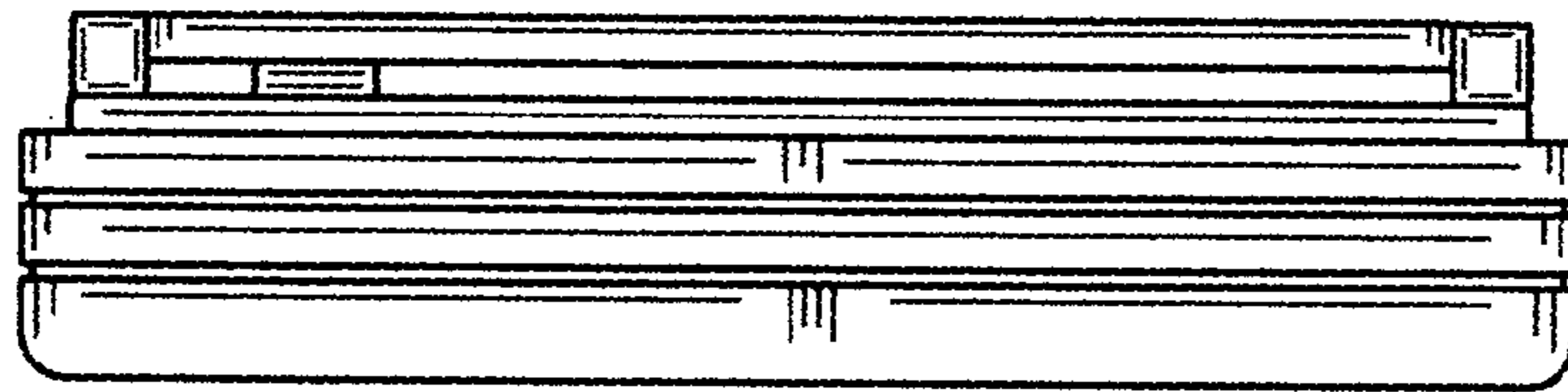


FIG. 6

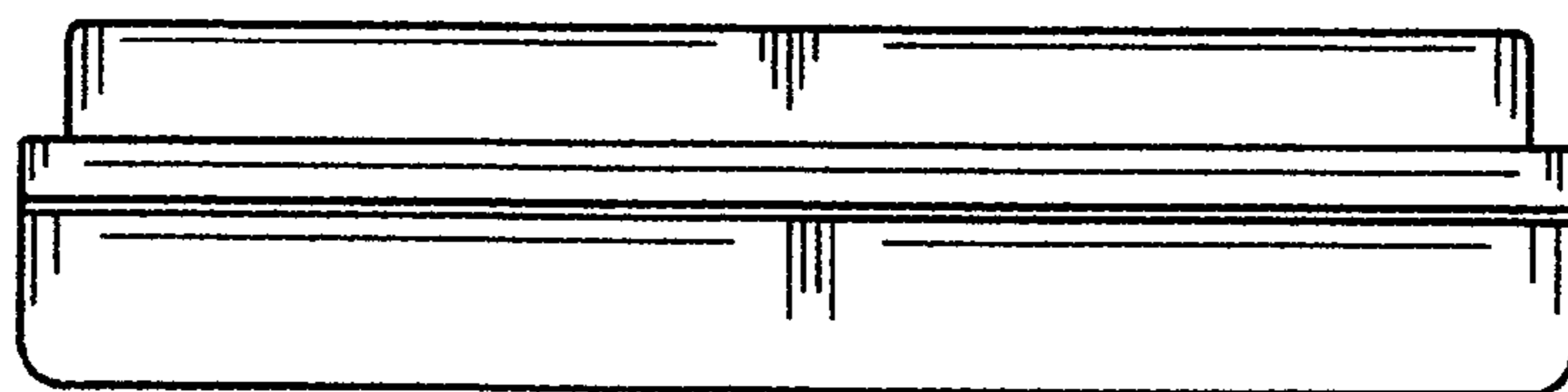


FIG. 7



FIG. 8