



US00D578409S

(12) **United States Design Patent**
Clark

(10) **Patent No.:** **US D578,409 S**
(45) **Date of Patent:** **** Oct. 14, 2008**

(54) **GIFT BAG WITH NAPPED FILAMENTARY EXTERIOR SURFACE**

5,441,348 A 8/1995 Valentino

(Continued)

(75) Inventor: **Elyse Clark**, Newtown, CT (US)

FOREIGN PATENT DOCUMENTS

(73) Assignee: **Kool Wraps, L.L.C.**, Newtown, CT (US)

JP 53133180 11/1978

(**) Term: **14 Years**

Primary Examiner—Stella M. Reid

Assistant Examiner—Rashida C McCoy

(21) Appl. No.: **29/201,886**

(74) *Attorney, Agent, or Firm*—Dickstein Shapiro LLP

(22) Filed: **Mar. 23, 2004**

(57) **CLAIM**

(51) **LOC (8) Cl.** **09-05**

The ornamental design for gift bag with napped filamentary exterior surface, as shown and described.

(52) **U.S. Cl.** **D9/703**

(58) **Field of Classification Search** D9/703,
D9/702; D3/276, 315; D28/226–228; 383/6,
383/17–22, 33, 80, 105

DESCRIPTION

See application file for complete search history.

FIG. 1 is a perspective view of a gift bag with napped filamentary outer surface, in an open condition, showing the front and right sides and top thereof, and showing the new design;

(56) **References Cited**

U.S. PATENT DOCUMENTS

FIG. 2 is a front elevational view thereof;

686,877 A	11/1901	Arkeli	
1,713,747 A *	5/1929	Deubener	383/18
2,127,012 A	8/1938	Spangler	
2,153,441 A	4/1939	Tillotson	
2,597,305 A	5/1952	Doyle	
2,619,801 A	12/1952	Evans	
2,896,839 A	7/1959	Barnes et al.	
2,980,312 A	4/1961	Gould	
3,339,822 A	9/1967	Pearl	
3,565,327 A *	2/1971	Rodley	383/20
3,610,307 A	10/1971	Huff	
3,952,847 A	4/1976	Via	
4,202,472 A	5/1980	Lin	
4,608,283 A	8/1986	White	
4,836,690 A	6/1989	Cheng	
D305,728 S	1/1990	Tufariello	
4,907,633 A	3/1990	Eckstein	
D314,275 S	2/1991	Frey et al.	
5,044,773 A *	9/1991	Harms et al.	383/22
D323,977 S	2/1992	Etro	
5,116,655 A	5/1992	Ezoe	
D350,475 S	9/1994	Cirelli	

FIG. 3 is a rear elevational view thereof;

FIG. 4 is a left side elevational view thereof, where the right side is the mirror image of the left side in the open condition;

FIG. 5 is a left side elevational view thereof, where the left side is the mirror image of the right side in the open condition;

FIG. 6 is a top plan view thereof;

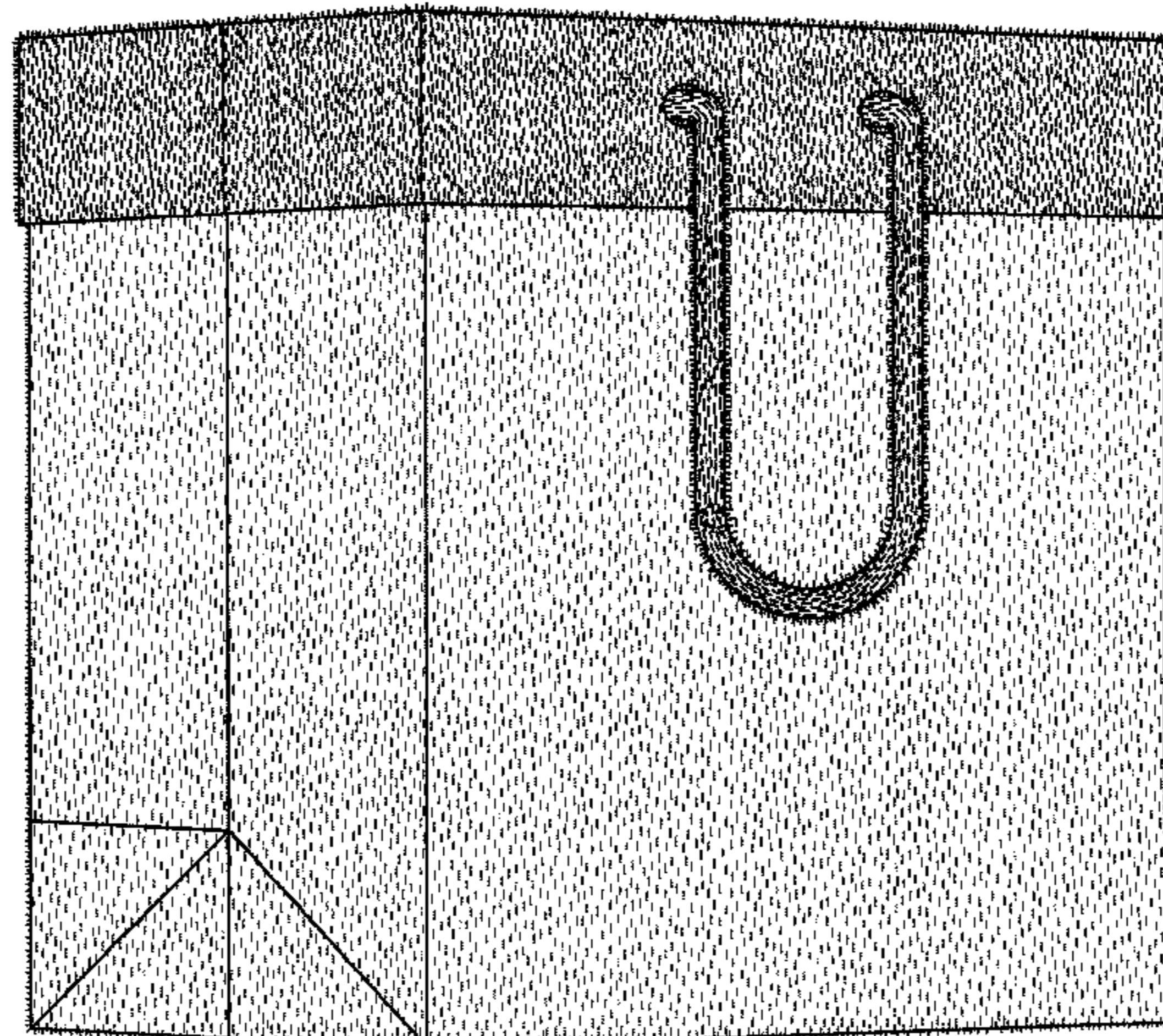
FIG. 7 is a bottom plan view thereof;

FIG. 8 is a perspective view thereof, showing the textured surface extending over the top edges of the gift bag and onto a portion of the inner surface of the gift bag; and,

FIG. 9 is a perspective view thereof, showing the gift bag in a partially folded condition.

The characteristic feature of the design resides in the appearance of the gift bag as shown, including the appearance of the textured outer material uniformly covering the entire outer surface of the gift bag and extending over the top edge to cover an upper portion of the interior surface of the gift bag.

1 Claim, 9 Drawing Sheets



US D578,409 S

Page 2

U.S. PATENT DOCUMENTS							
5,581,938	A	12/1996	Weder	6,216,859	B1	4/2001	Manservigi
5,613,312	A	3/1997	Crowell	D452,814	S	1/2002	Furuta
5,639,523	A	6/1997	Ellis	6,345,912	B1	2/2002	Ho
5,709,477	A	1/1998	Schinasi	D471,089	S	3/2003	Schweky
D417,143	S	11/1999	Irvine	6,534,136	B2	3/2003	Weder
6,000,849	A *	12/1999	Keller et al. 383/80	6,564,838	B1	5/2003	Cruickshank
6,045,263	A *	4/2000	Keller et al. 383/33	D485,166	S	1/2004	Clark
6,092,932	A	7/2000	Pekaia et al.	2002/0069739	A1	6/2002	Weder
6,146,018	A	11/2000	Keller et al.	2002/0195368	A1	12/2002	Weder
6,153,311	A	11/2000	Springer et al.	2003/0091245	A1 *	5/2003	Mencacci 383/6

* cited by examiner

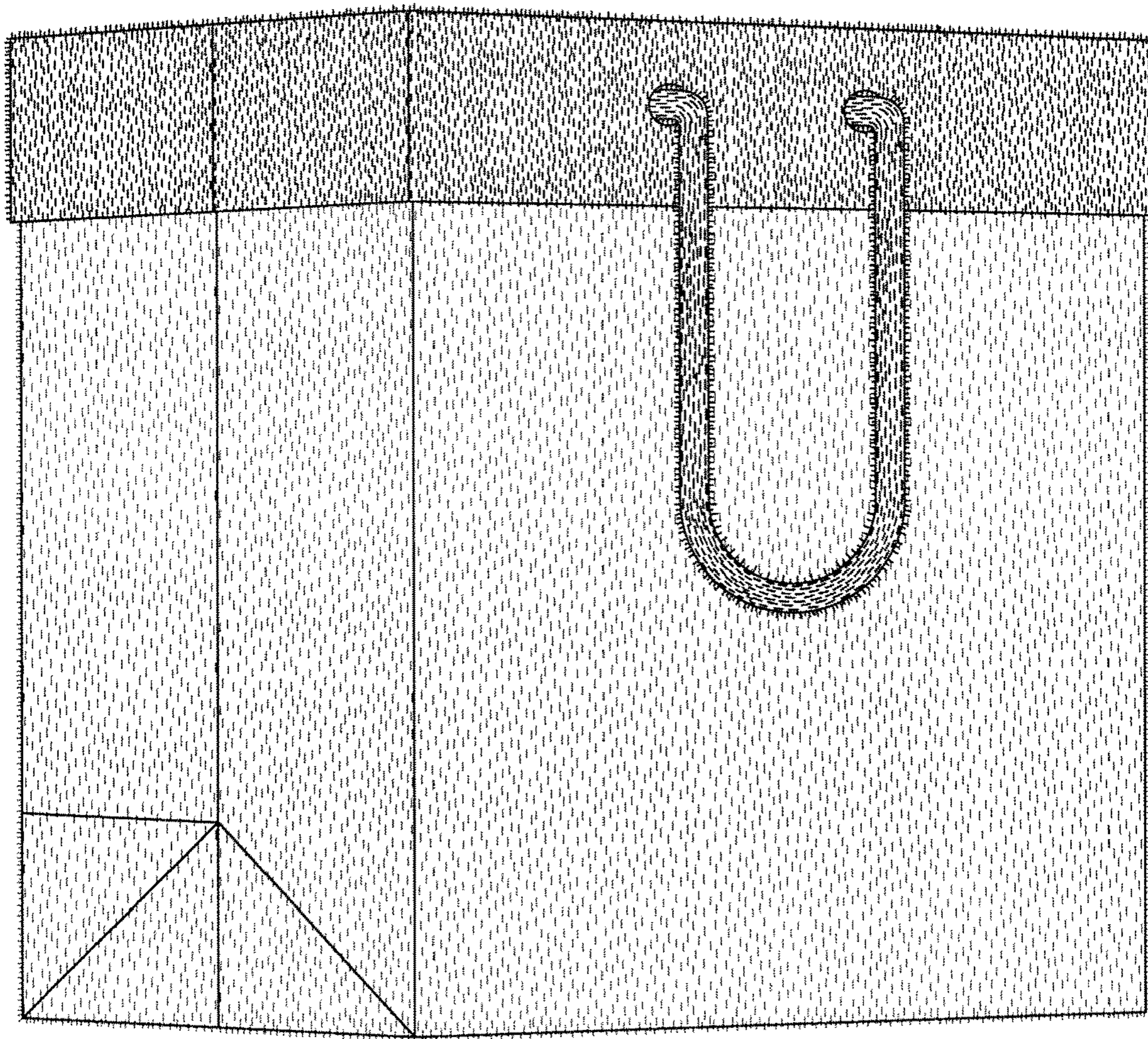


FIG. 1

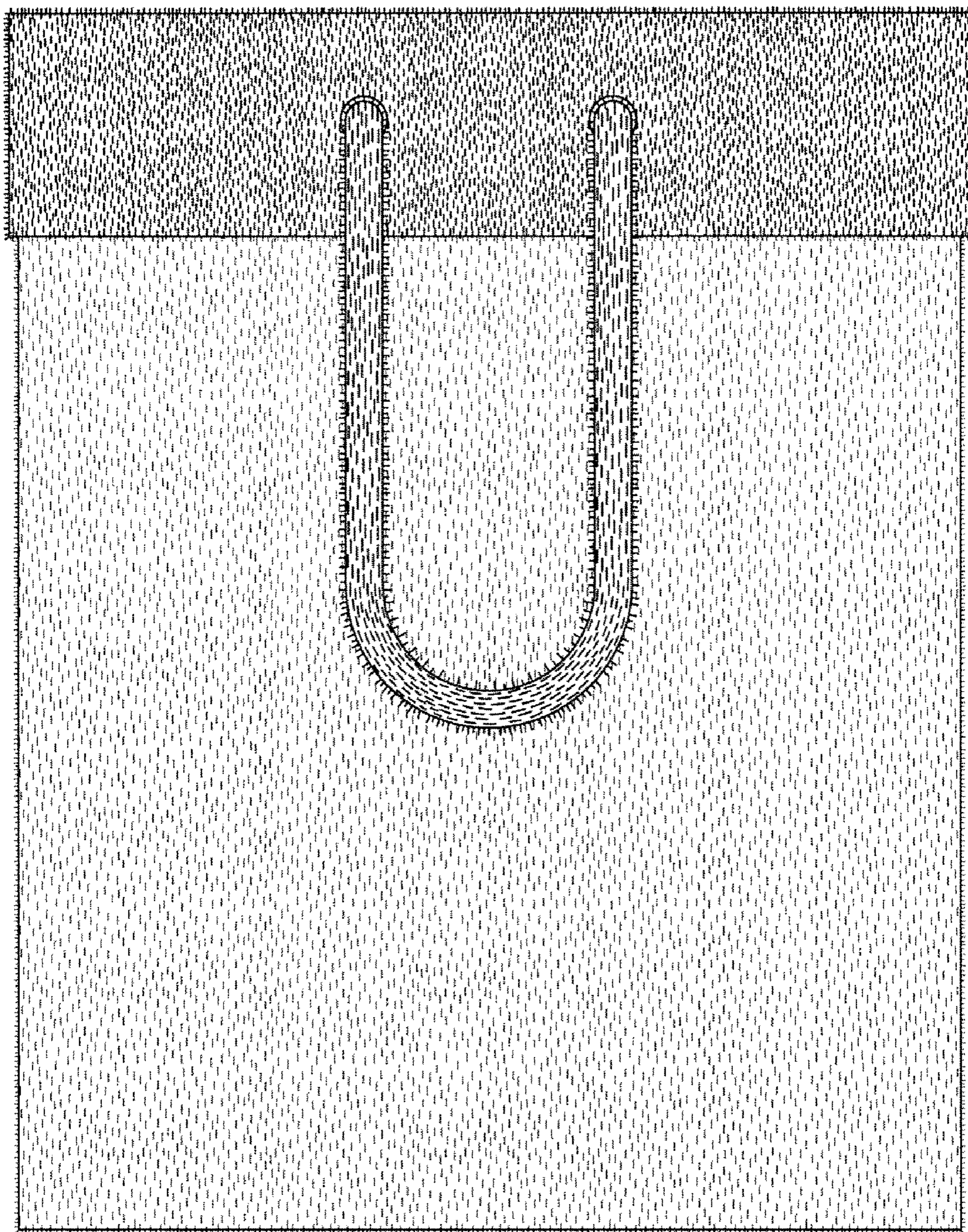


FIG. 2

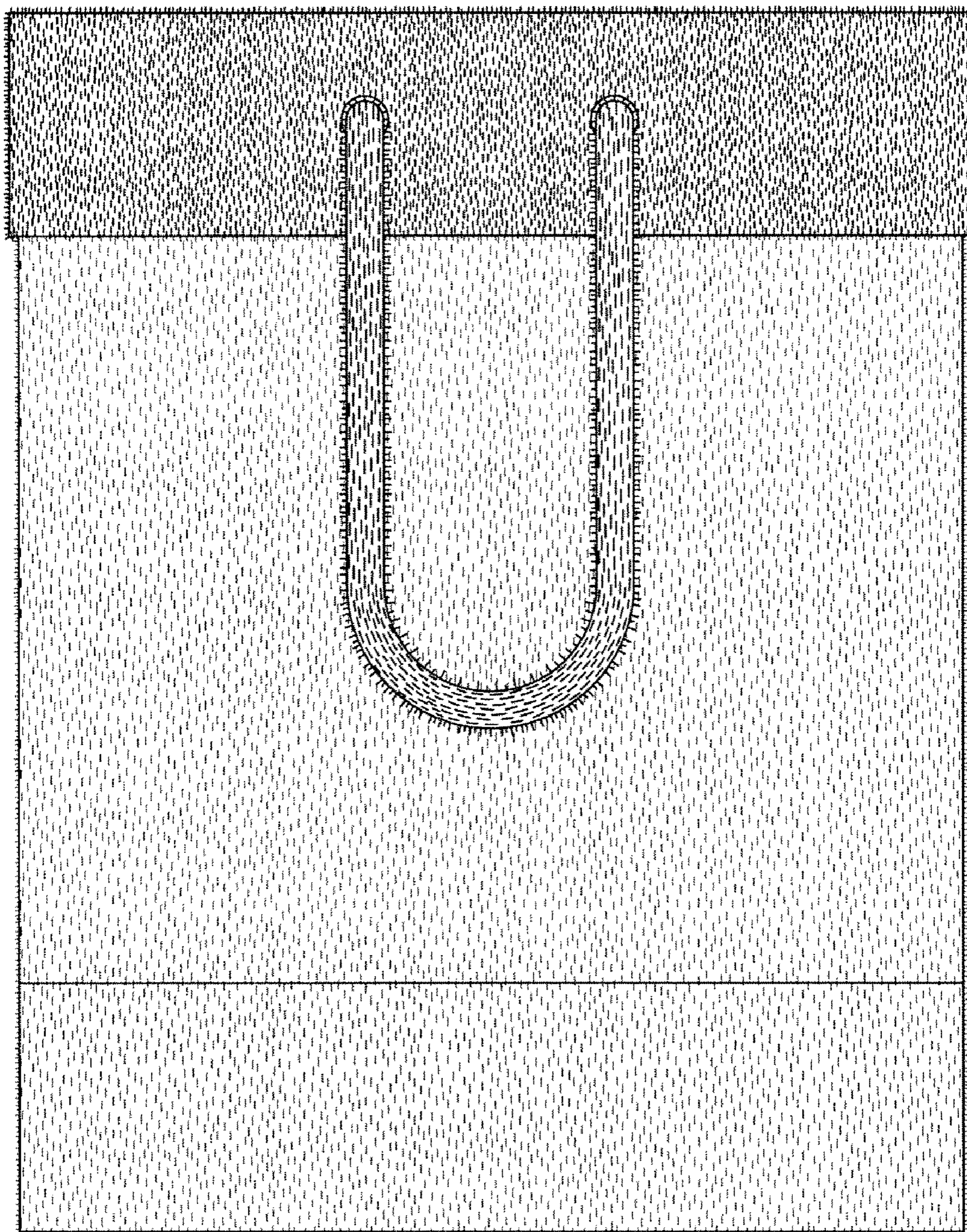


FIG. 3

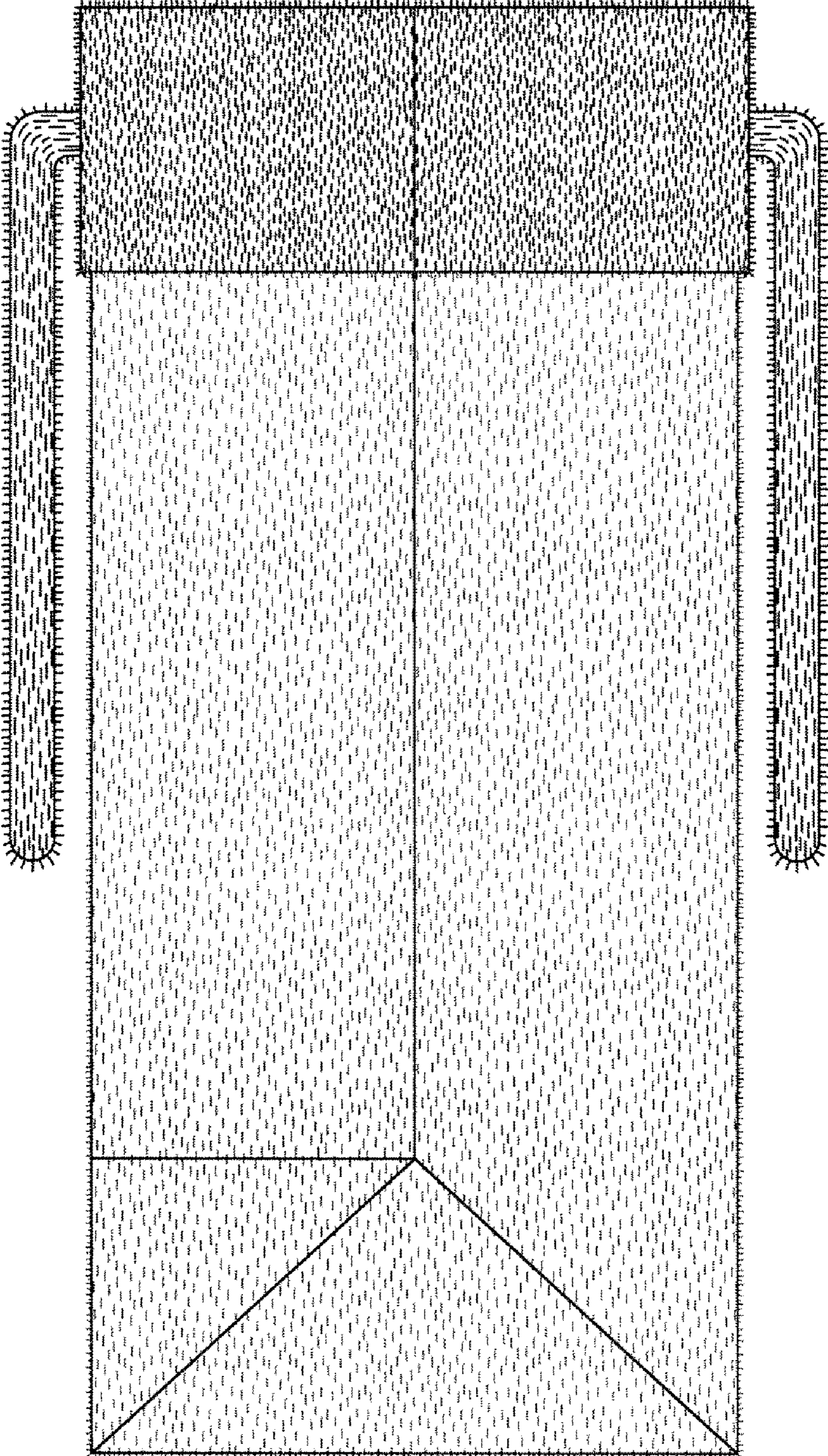


FIG. 4

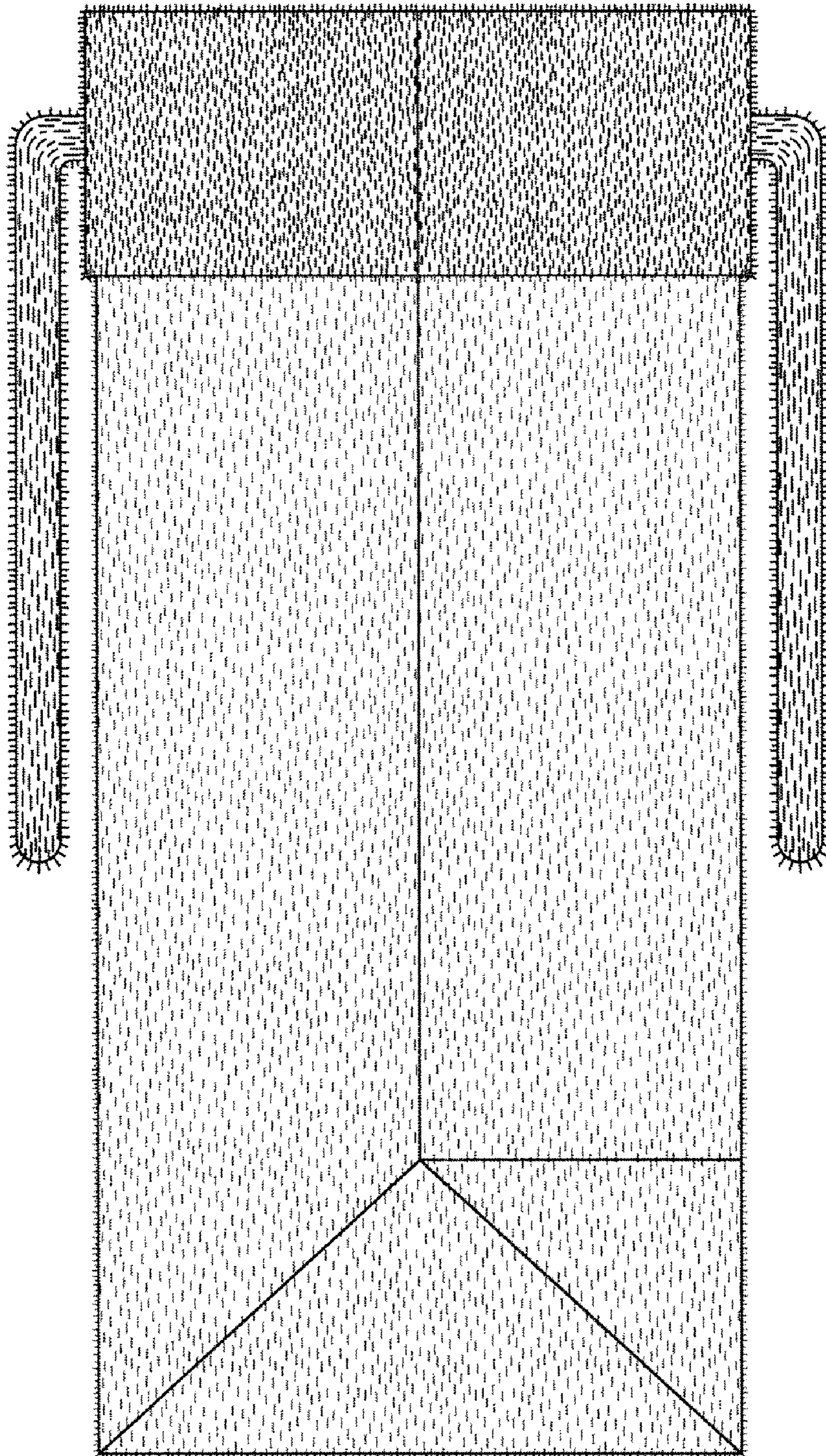


FIG. 5

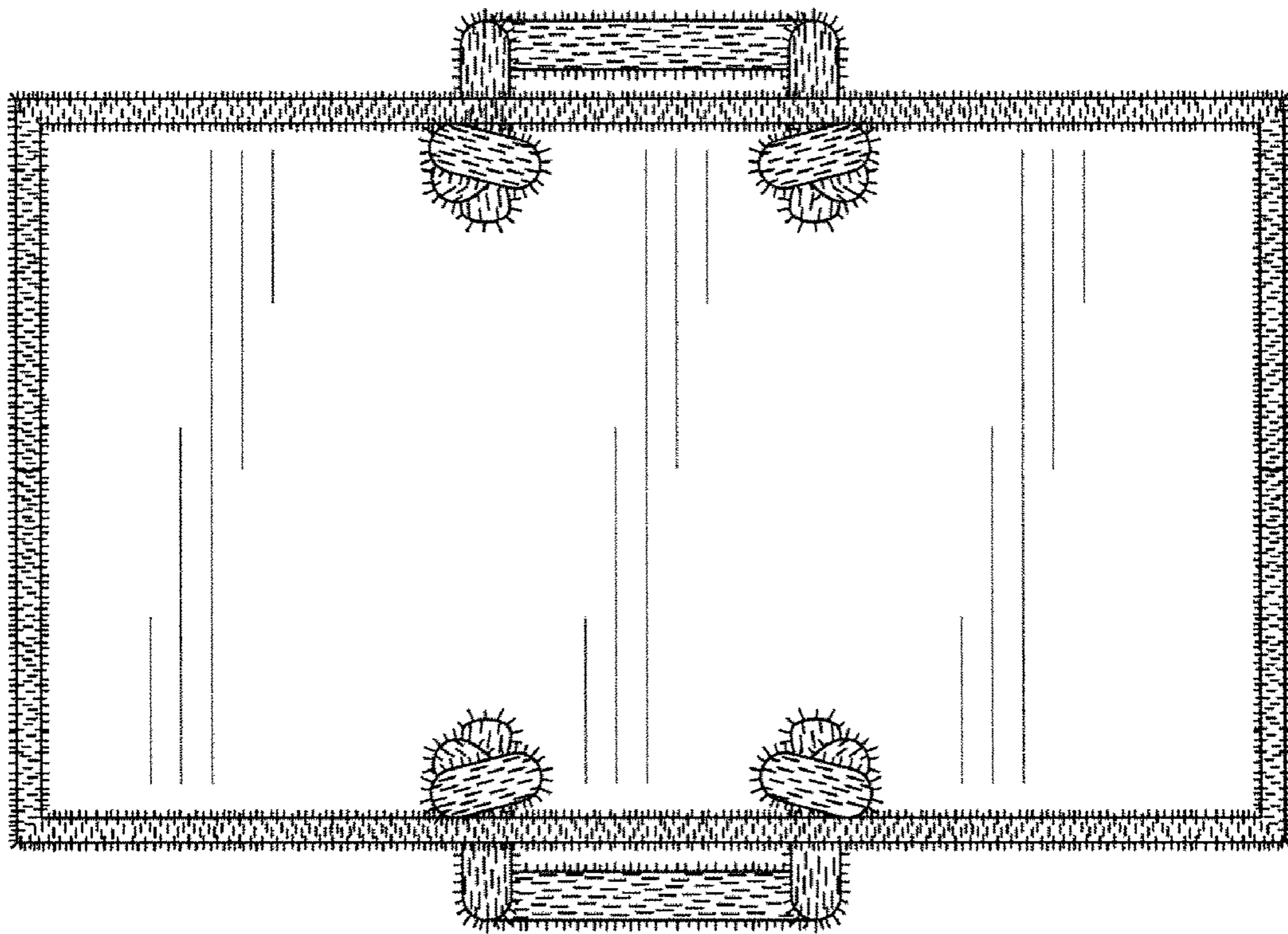


FIG. 6

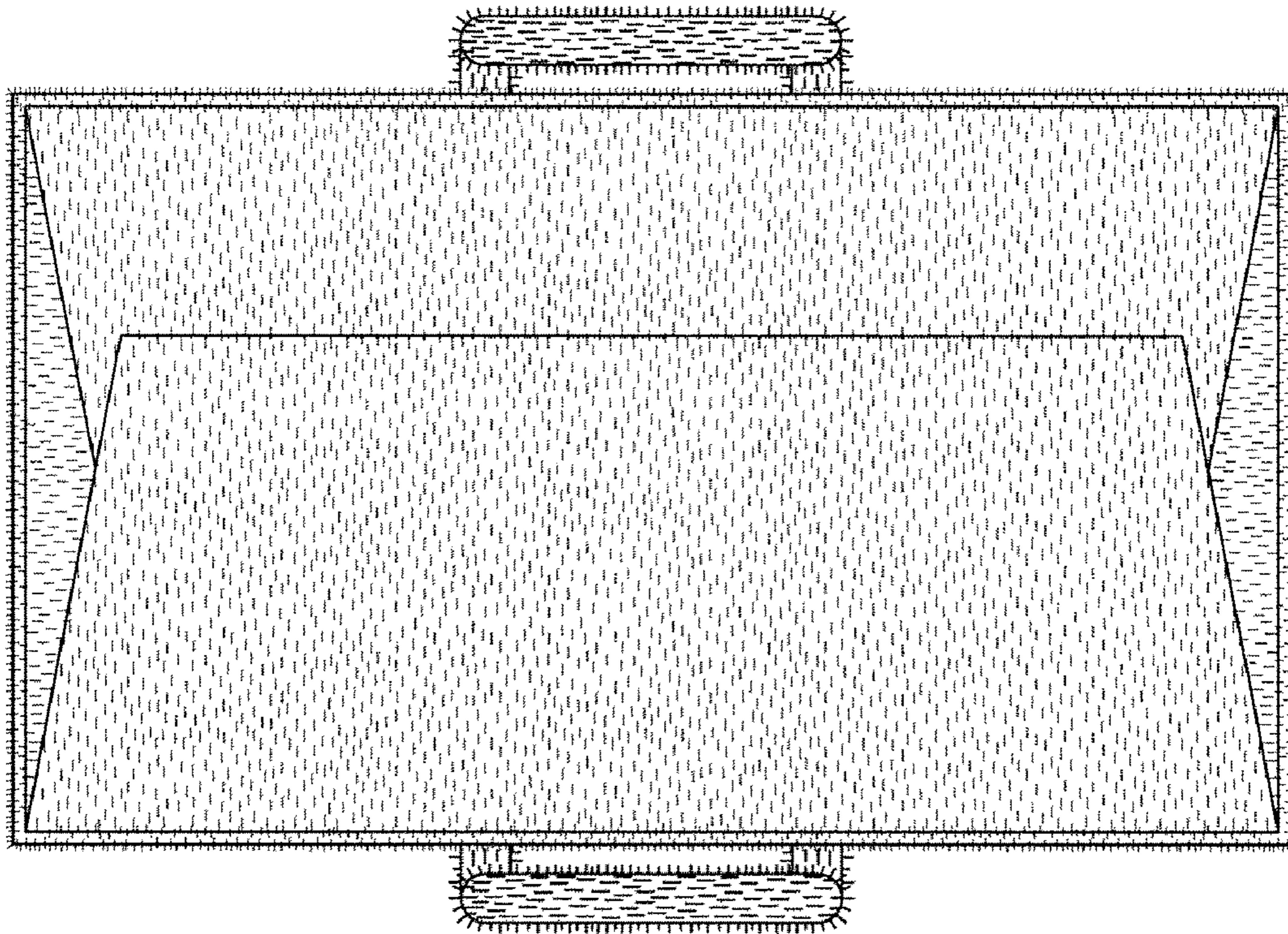


FIG. 7

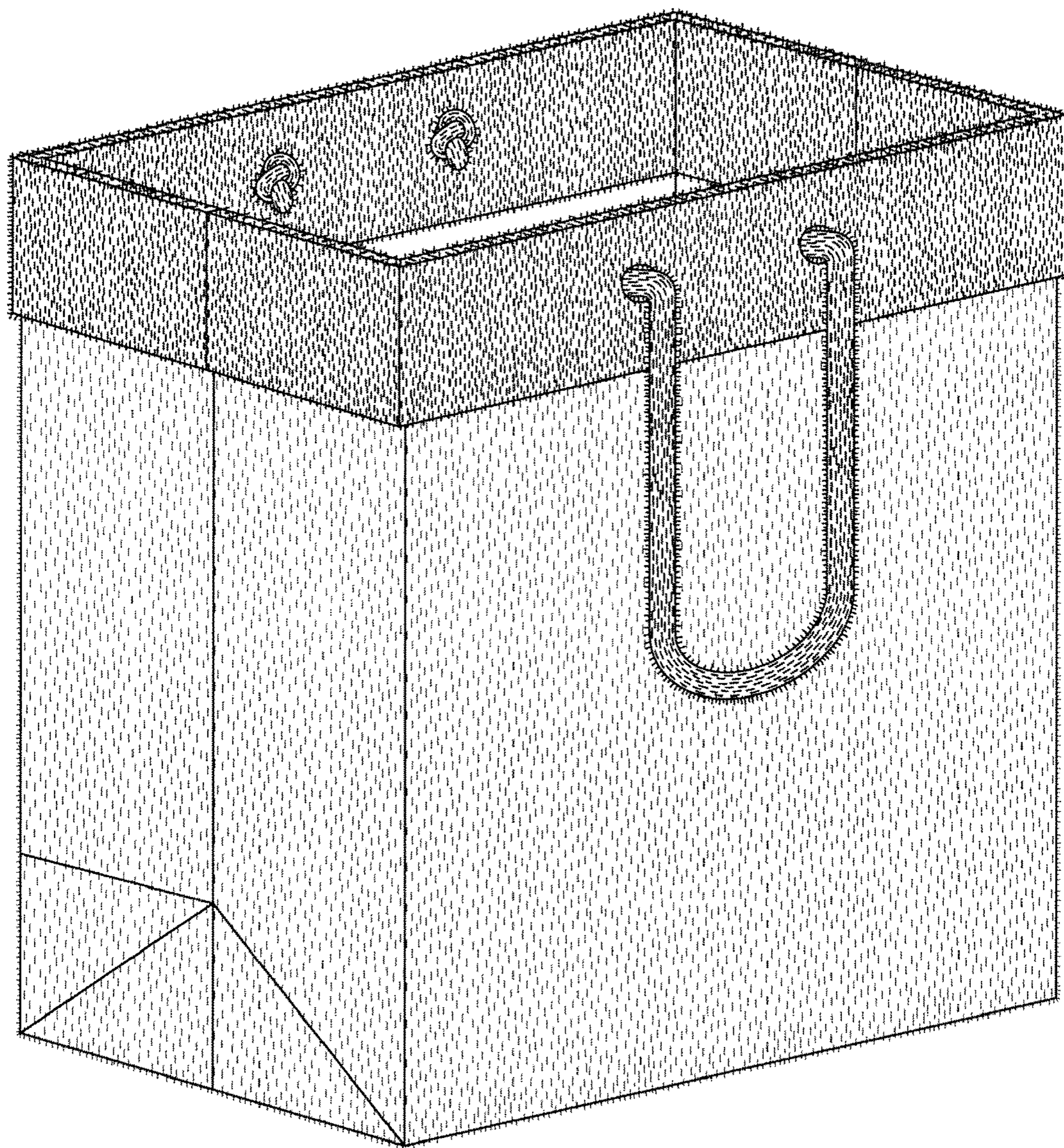


FIG. 8

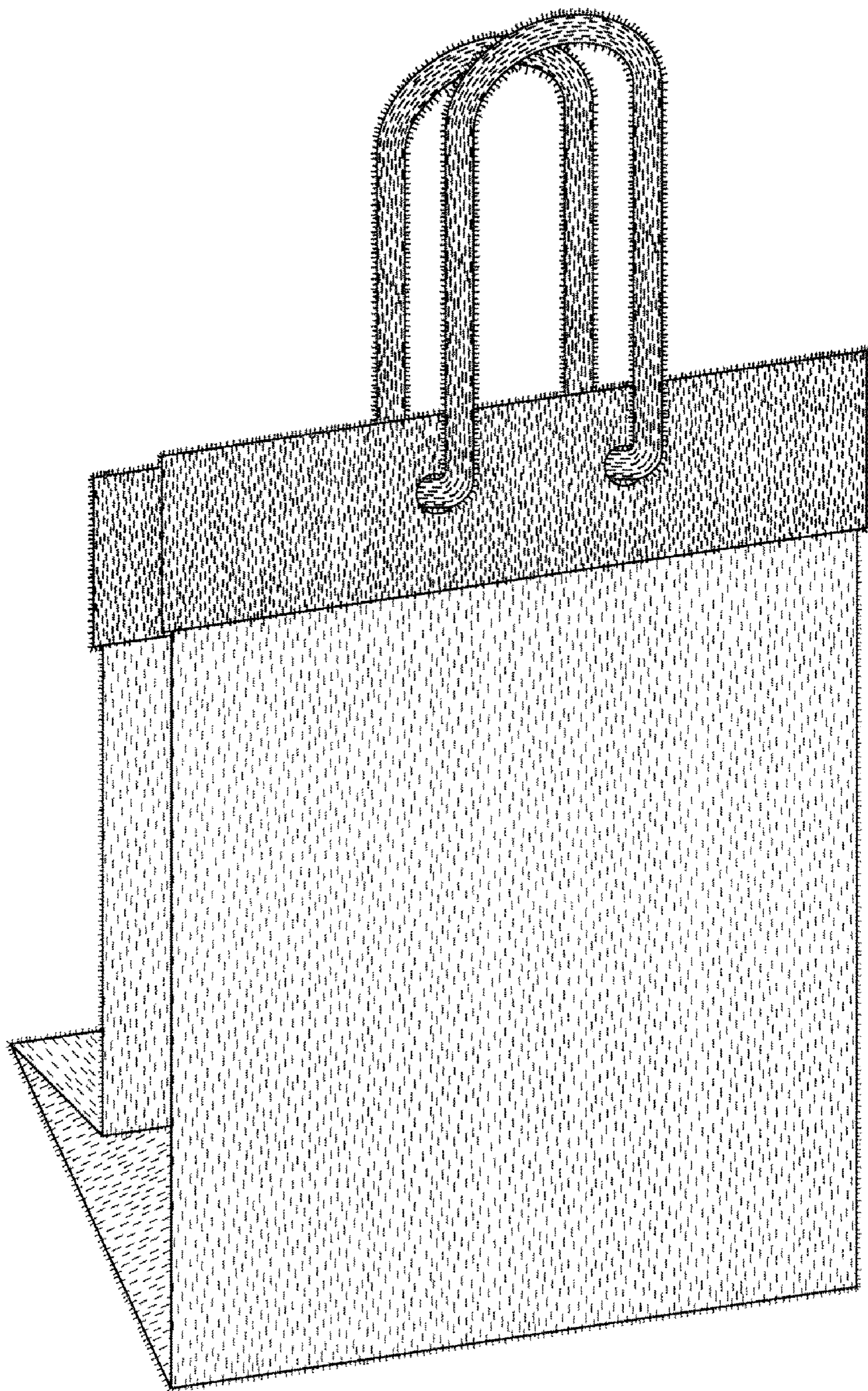


FIG. 9