



US00D578401S

(12) **United States Design Patent**  
**Perry et al.**

(10) **Patent No.:** **US D578,401 S**  
(45) **Date of Patent:** **\*\* Oct. 14, 2008**

(54) **CONTAINER**

(75) Inventors: **James P. Perry**, Gahanna, OH (US);  
**Craig A. McCardell**, Rochester Hills,  
MI (US); **Jeremy McBroom**, New  
Albany, OH (US); **David Compeau**,  
Oxford, MI (US); **Ashley A. Gohlke**,  
Chicago, IL (US); **William J. Hook**,  
Galena, OH (US); **Katherine J. Jordan**,  
Pickerington, OH (US); **Frank S.**  
**Walczak**, Galena, OH (US); **Peter B.**  
**Clarke**, Fairfield, CT (US); **J. Kevin**  
**Clay**, Milford, CT (US)

(73) Assignee: **Abbott Laboratories**, Abbott Park, IL  
(US)

(\*\*) Term: **14 Years**

(21) Appl. No.: **29/295,921**

(22) Filed: **Oct. 10, 2007**

(51) **LOC (8) Cl.** ..... **09-01**

(52) **U.S. Cl.** ..... **D9/543; D9/564; D9/575;**  
D7/605

(58) **Field of Classification Search** ..... D9/516,  
D9/522, 529, 530, 531, 534, 541, 542, 543,  
D9/559, 560, 562, 563, 564, 565, 566, 569,  
D9/570, 571, 572, 574, 575, 434, 435, 436,  
D9/445, 414, 432, 504; D7/601, 602, 603,  
D7/604, 605, 606; 215/381-385, 396, 398

See application file for complete search history.

(56) **References Cited**

U.S. PATENT DOCUMENTS

D227,222 S	6/1973	Plumer et al.	
D250,392 S	11/1978	Leary et al.	
D258,117 S	2/1981	Bashour	
4,327,861 A	5/1982	Thompson et al.	
D268,979 S *	5/1983	Ruxton	..... D7/605
D277,551 S	2/1985	Kerr	
D279,167 S	6/1985	Haney et al.	
D281,577 S	12/1985	Larson et al.	

D282,349 S	1/1986	Larson et al.	
4,804,097 A	2/1989	Alberghini et al.	
D303,084 S	8/1989	Sedam et al.	
4,890,752 A	1/1990	Ota et al.	
D307,394 S	4/1990	Wetherell, Jr.	
D313,178 S	12/1990	Guislain	
4,993,565 A	2/1991	Ota et al.	
5,065,887 A	11/1991	Schuh et al.	
D323,983 S	2/1992	Bastidos	
D325,853 S *	5/1992	Kahl	..... D7/605
D327,203 S *	6/1992	Kahl	..... D7/605
5,141,120 A	8/1992	Brown et al.	
5,191,988 A	3/1993	Reil et al.	
D343,794 S	2/1994	D'Amico et al.	
D349,214 S *	8/1994	Wedi	..... D7/605
D353,305 S *	12/1994	Miller	..... D7/605

(Continued)

*Primary Examiner*—Stella M. Reid  
*Assistant Examiner*—Elizabeth J Oswecki  
(74) *Attorney, Agent, or Firm*—Thomas D. Brainard

(57) **CLAIM**

The ornamental design for a container, substantially as shown and described.

**DESCRIPTION**

FIG. 1 is a top, front, left side perspective view of a container showing our new design;

FIG. 2 is a top plan view thereof;

FIG. 3 is front elevation view thereof;

FIG. 4 is a rear elevation view thereof;

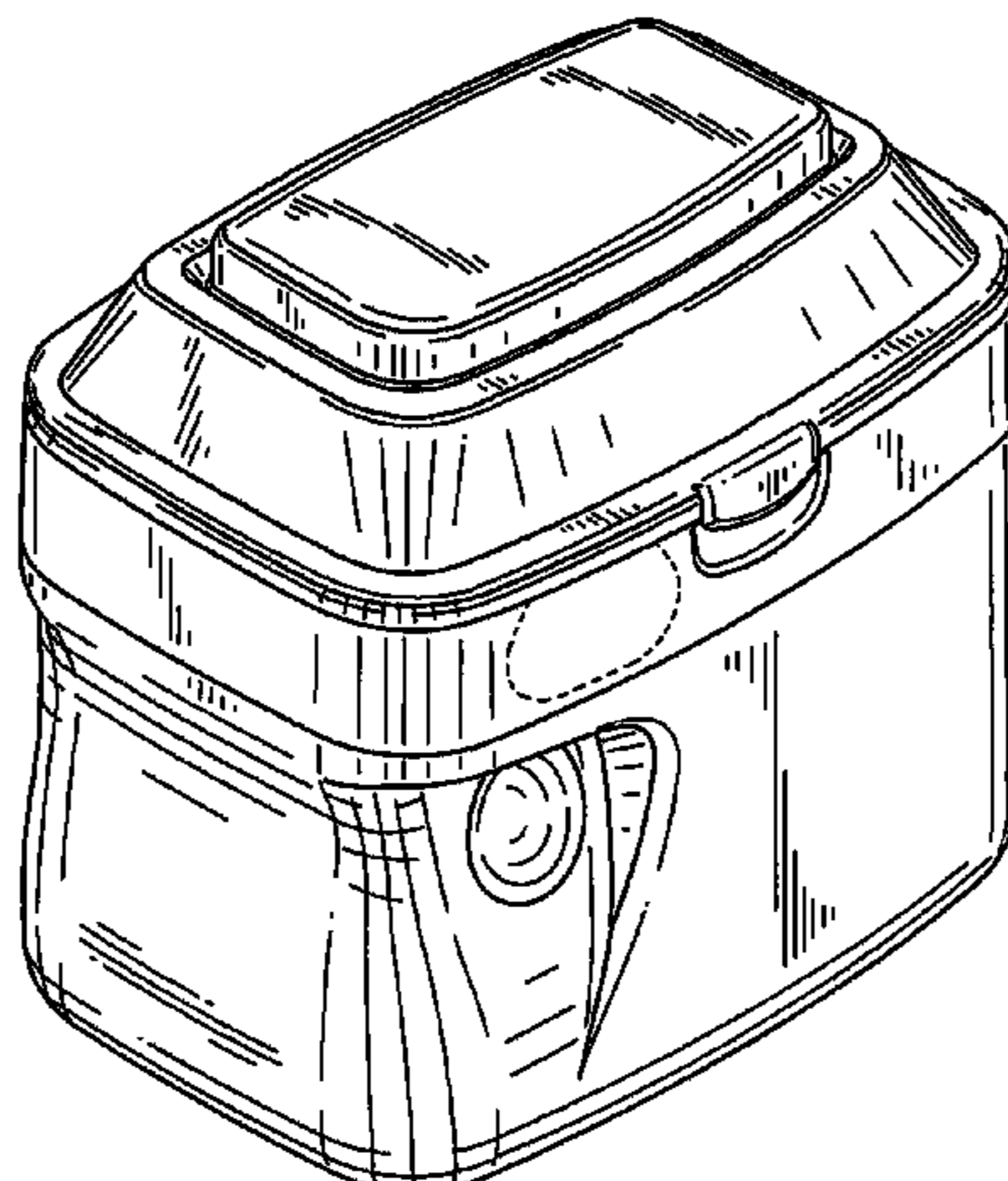
FIG. 5 is a left side elevation view thereof;

FIG. 6 is a right side elevation view thereof; and,

FIG. 7 is a bottom plan view thereof.

The broken lines shown in the drawings are for illustrative purposes only and form no part of the claimed design.

**1 Claim, 5 Drawing Sheets**



# US D578,401 S

Page 2

## U.S. PATENT DOCUMENTS

D354,685 S	1/1995	Krishnakumar et al.					
5,392,937 A	2/1995	Prevot et al.					
D363,669 S *	10/1995	Pennoyer, Jr. ....	D9/423				
D368,206 S *	3/1996	Wedi .....	D7/605				
5,518,152 A	5/1996	Burcham et al.					
D370,850 S	6/1996	Beaver					
D373,021 S *	8/1996	Breen et al. ....	D3/276				
D378,025 S *	2/1997	Perelli .....	D3/323				
5,598,941 A	2/1997	Semersky et al.					
D381,512 S *	7/1997	Green .....	D3/294				
D382,485 S	8/1997	Krishnakumar et al.					
D385,497 S	10/1997	Krishnakumar et al.					
D387,280 S	12/1997	Zimmer et al.					
D389,067 S	1/1998	Lown					
5,758,790 A	6/1998	Ewing, Jr. et al.					
D402,896 S	12/1998	Conrad					
D416,801 S	11/1999	Macauley et al.					
D431,470 S	10/2000	Henderson					
D433,947 S	11/2000	Ewing, Jr.					
D442,438 S *	5/2001	Schankowski .....	D7/605				
D445,307 S *	7/2001	Fickle .....	D7/605				
D451,765 S *	12/2001	Israel et al. ....	D7/605				
D455,934 S *	4/2002	Culp et al. ....	D7/605				
D462,012 S	8/2002	Manderfield, Jr.					
D464,485 S *	10/2002	Sward et al. ....	D3/294				
D473,140 S	4/2003	Gilliam et al.					
D475,249 S *	6/2003	Cantor et al. ....	D7/606				
D475,628 S	6/2003	Walsh et al.					
D476,898 S	7/2003	Schuller et al.					
D479,784 S *	9/2003	Shah .....	D7/605				
D482,287 S	11/2003	Kraft et al.					
D498,679 S	11/2004	Meeker et al.					
D502,059 S *	2/2005	Bukowski et al. ....	D7/605				
D507,184 S	7/2005	Beaver et al.					
D509,437 S	9/2005	Crawford et al.					
7,097,060 B2	8/2006	Penny et al.					
7,097,061 B2	8/2006	Simpson, Jr. et al.					
D528,007 S	9/2006	De Niverville et al.					
D530,616 S	10/2006	Kipperman et al.					
D530,617 S	10/2006	Little et al.					
7,156,265 B2	1/2007	Walsh et al.					
D536,580 S *	2/2007	Krieger et al. ....	D7/605				
D549,048 S *	8/2007	Duke et al. ....	D7/510				
2003/0121941 A1	7/2003	Walsh et al.					
2003/0218020 A1	11/2003	Gilliam et al.					
2004/0011811 A1	1/2004	McLelland et al.					
2004/0238553 A1	12/2004	Lane et al.					
2005/0252881 A1	11/2005	Zhang et al.					
2006/0131347 A1	6/2006	Nottingham et al.					
2006/0180568 A1	8/2006	Lane et al.					
2006/0207963 A1	9/2006	Little et al.					
2006/0273118 A1	12/2006	Walsh et al.					
2007/0001409 A1 *	1/2007	Kaplan .....	280/35				

\* cited by examiner

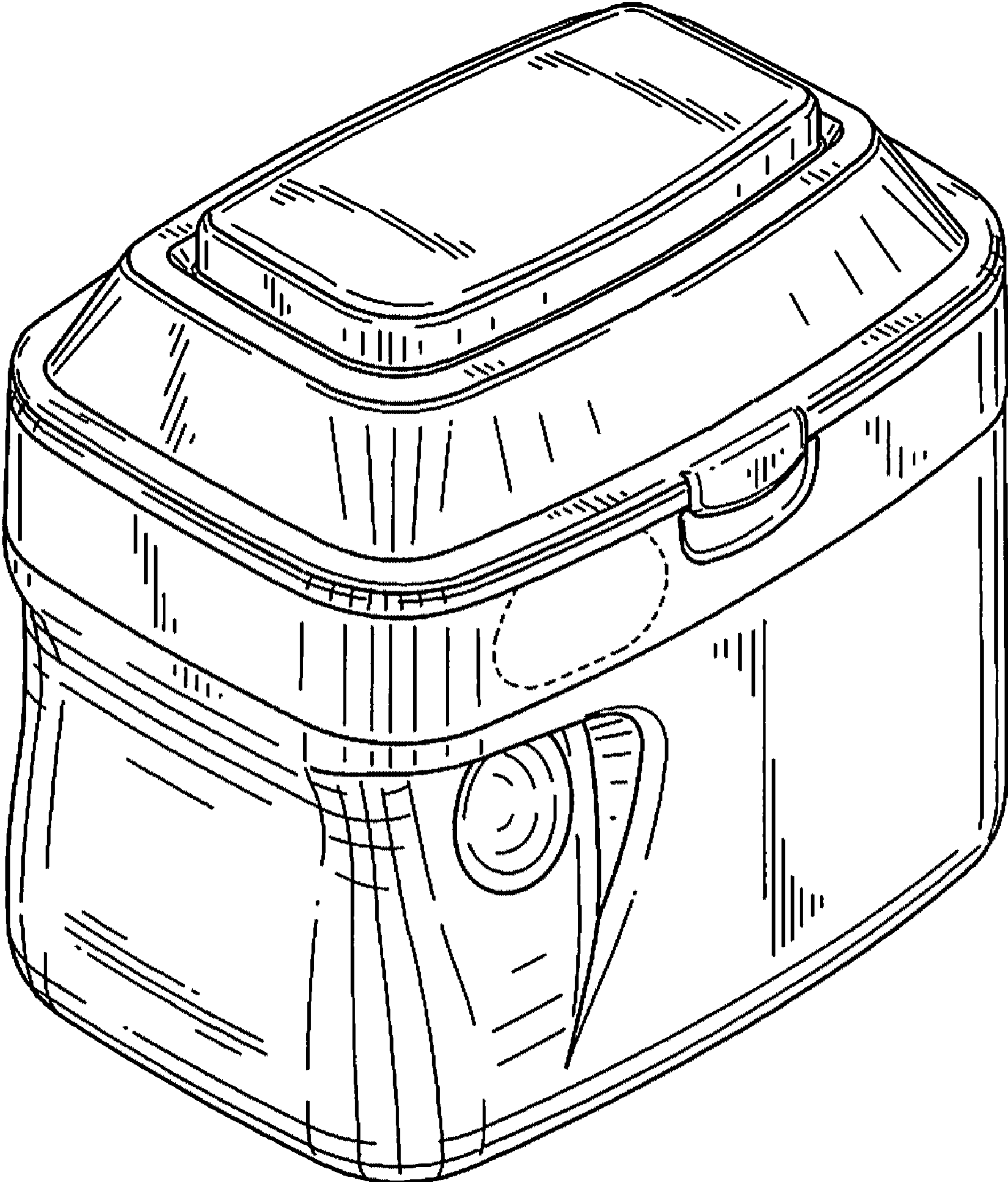


FIG. 1

FIG. 2

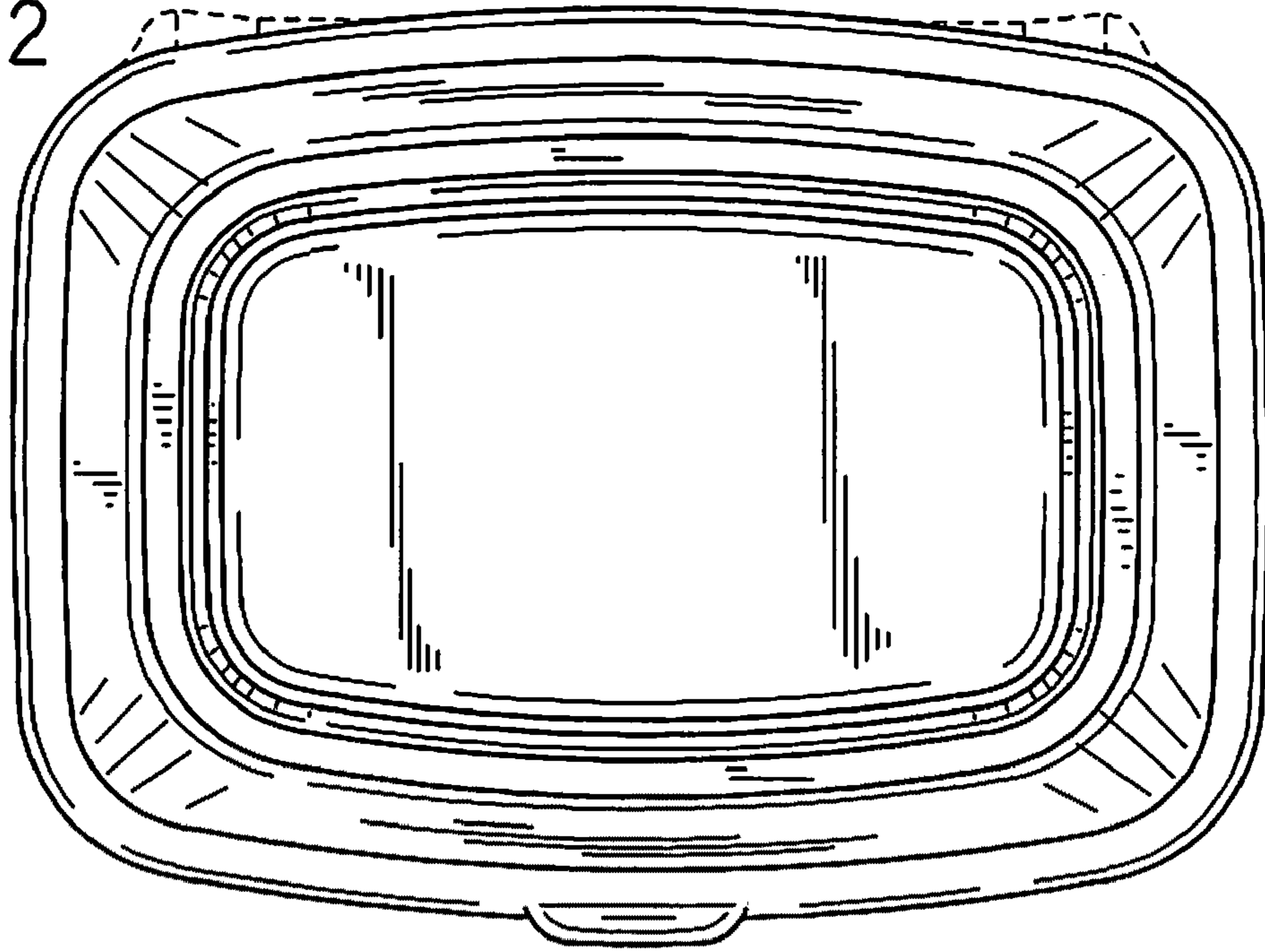
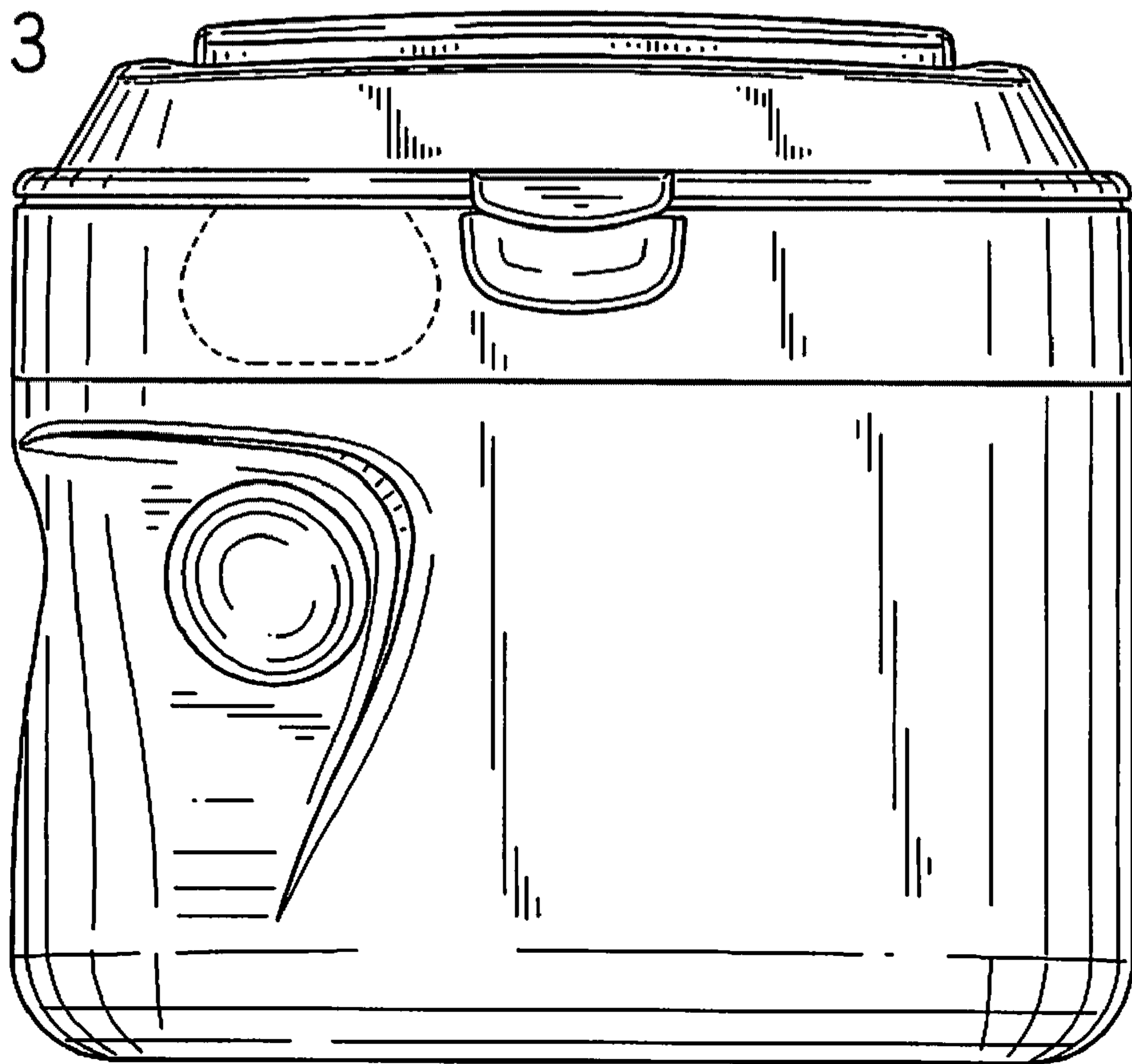


FIG. 3



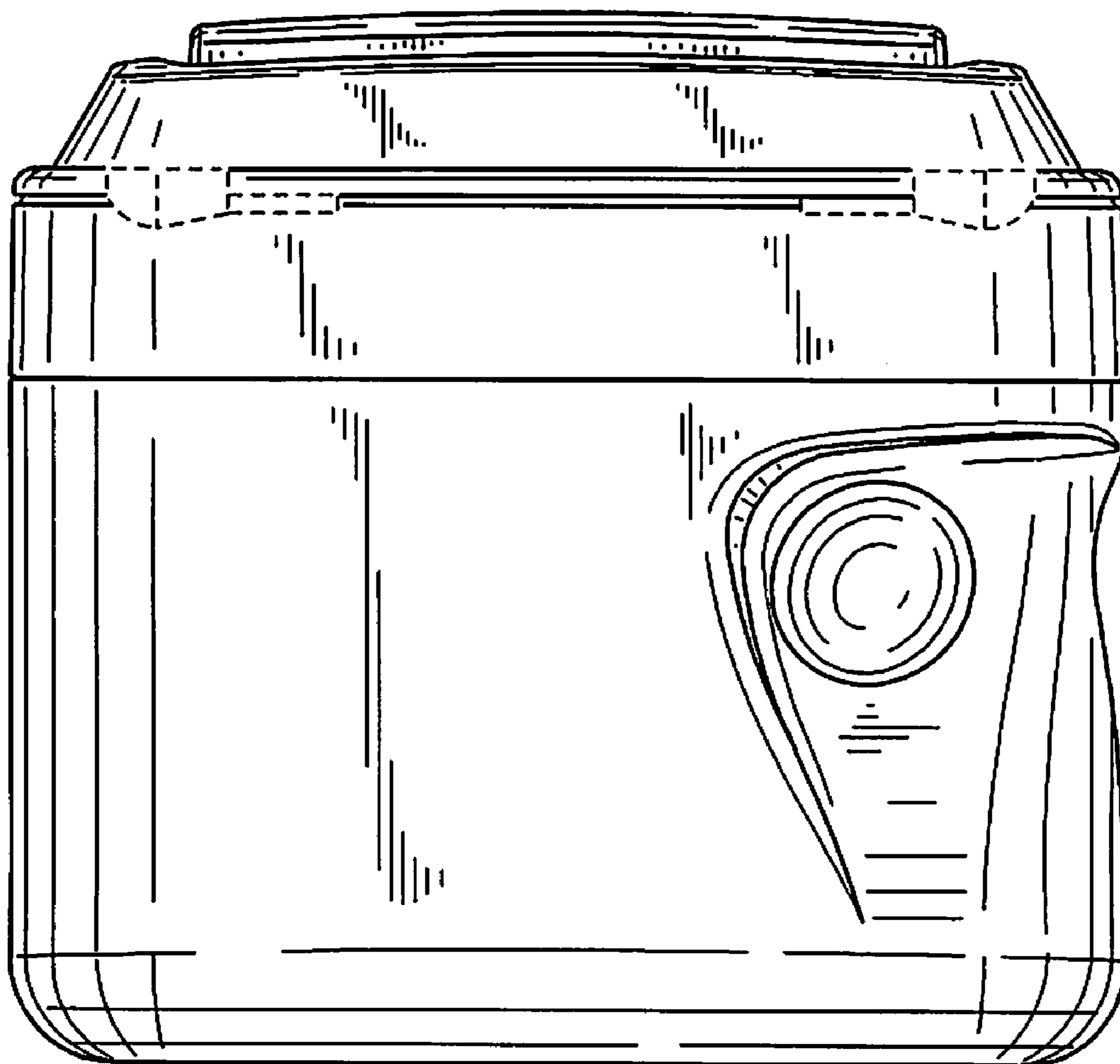


FIG. 4

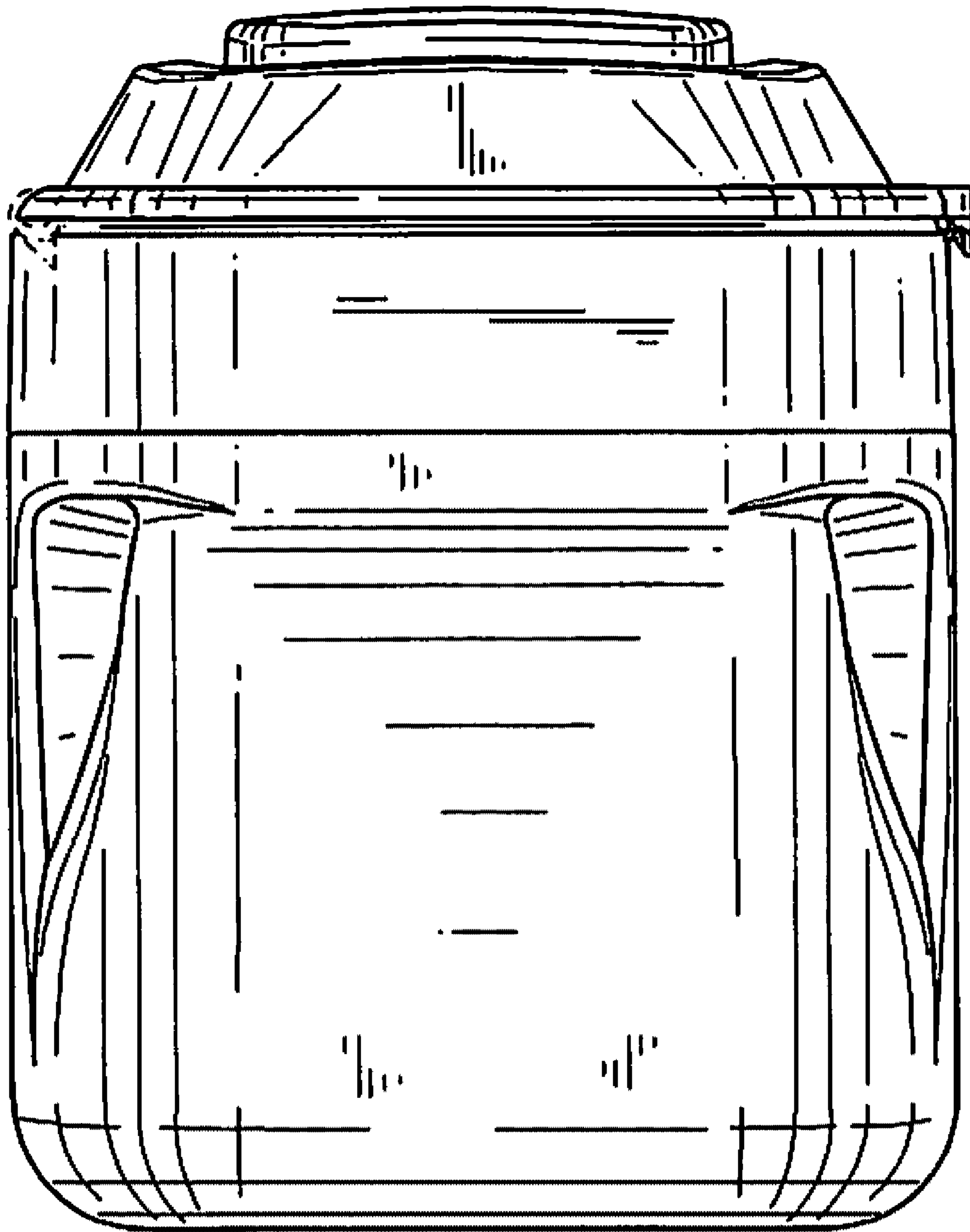


FIG. 5

FIG. 6

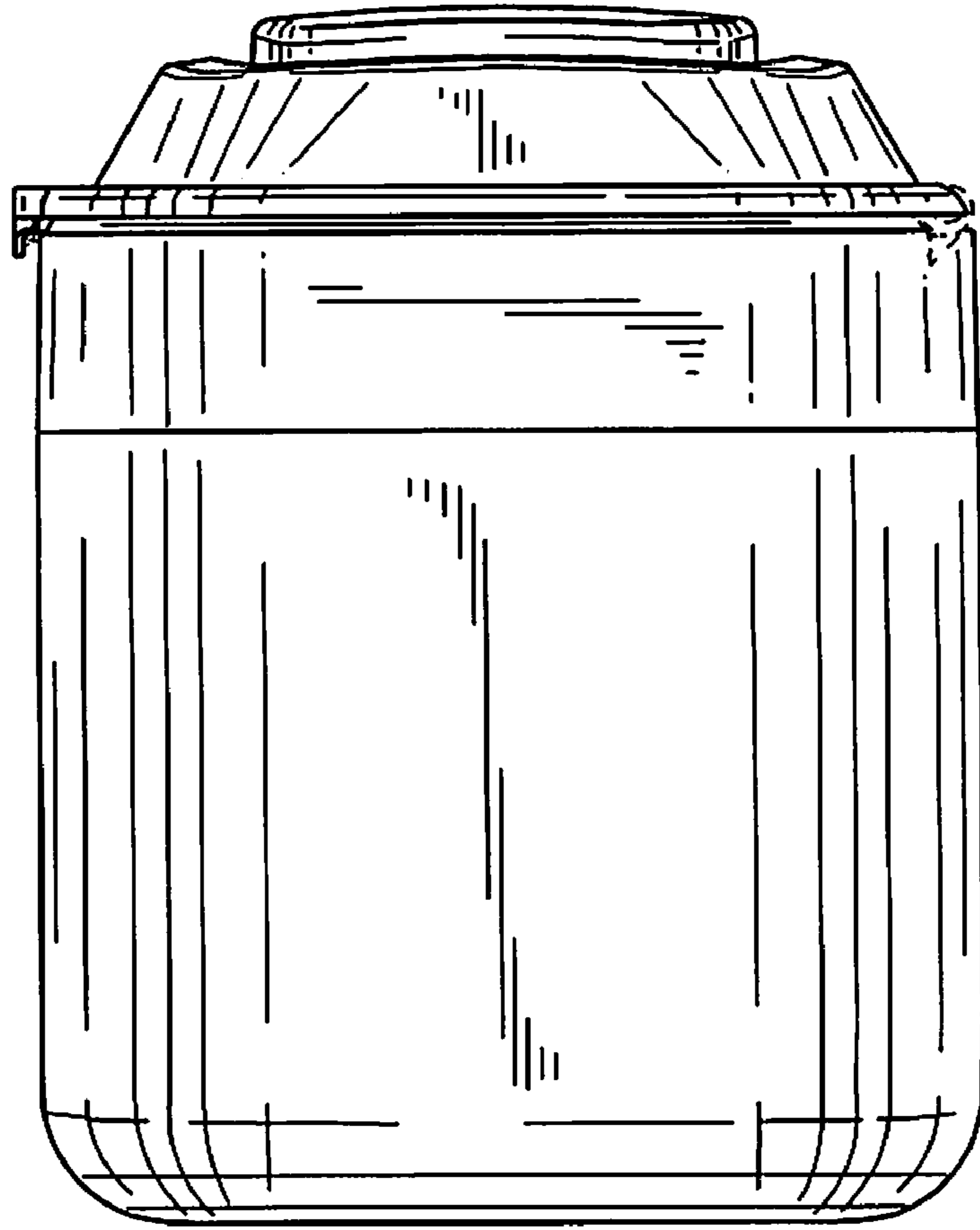


FIG. 7

