



US00D578399S

(12) **United States Design Patent**
Hestehave

(10) **Patent No.:** **US D578,399 S**
(45) **Date of Patent:** **** Oct. 14, 2008**

(54) **BOTTLE**

(76) Inventor: **Kjeld Hestehave**, 1841 E. Acacia St.,
Ontario, CA (US) 91761

(**) Term: **14 Years**

(21) Appl. No.: **29/321,958**

(22) Filed: **Jul. 25, 2008**

D443,513 S	6/2001	Goettner
D456,272 S	4/2002	Sadeghi et al.
D457,437 S	5/2002	Sadeghi et al.
D458,145 S	6/2002	Sadeghi et al.
D458,146 S	6/2002	Sadeghi et al.
D458,147 S	6/2002	Sadeghi et al.
D458,148 S	6/2002	Sadeghi et al.
D460,695 S	7/2002	Sadeghi et al.
D463,287 S	9/2002	Moore et al.

Related U.S. Application Data

(62) Division of application No. 29/319,670, filed on Jun. 12, 2008, which is a division of application No. 29/303,344, filed on Feb. 7, 2008, now Pat. No. Des. 573,031.

(51) **LOC (8) Cl.** **09-01**

(52) **U.S. Cl.** **D9/541; D9/542; D9/560;**
D9/571; D9/452

(58) **Field of Classification Search** D9/516,
D9/520, 530, 537-546, 549, 553-556, 558,
D9/560, 566-569, 571, 574-575, 452-454;
215/381-385; 220/660, 662, 669-671, 675
See application file for complete search history.

(56) **References Cited**

U.S. PATENT DOCUMENTS

D24,862 S	11/1895	Abbott	
D85,838 S	12/1931	Noble	
D87,343 S *	7/1932	Hamilton D9/560
D90,290 S	7/1933	McDonald	
D97,748 S *	12/1935	Steelman D9/569 X
D110,504 S *	7/1938	Steuer D9/542
D233,828 S	12/1974	Leary	
D236,587 S	9/1975	Kretz	
D290,323 S	6/1987	Weernink	
D356,871 S	3/1995	Dunn	
D362,182 S	9/1995	Hestehave et al.	
D405,695 S	2/1999	Zelmo	
D415,428 S	10/1999	Keller et al.	
D423,935 S	5/2000	Frazer	
D437,226 S	2/2001	Sadeghi et al.	
D442,089 S	5/2001	Sadeghi et al.	

(Continued)

Primary Examiner—Carol Rademaker
(74) *Attorney, Agent, or Firm*—Kristin C. Hiibner; Sheldon
Mak Rose & Anderson

(57) **CLAIM**

The ornamental design for a bottle, as shown and described.

DESCRIPTION

FIG. 1 is a top, front, and left side perspective view of the invention;

FIG. 2 is a left side elevational view thereof, the right side elevational view being identical;

FIG. 3 is a top plan view thereof;

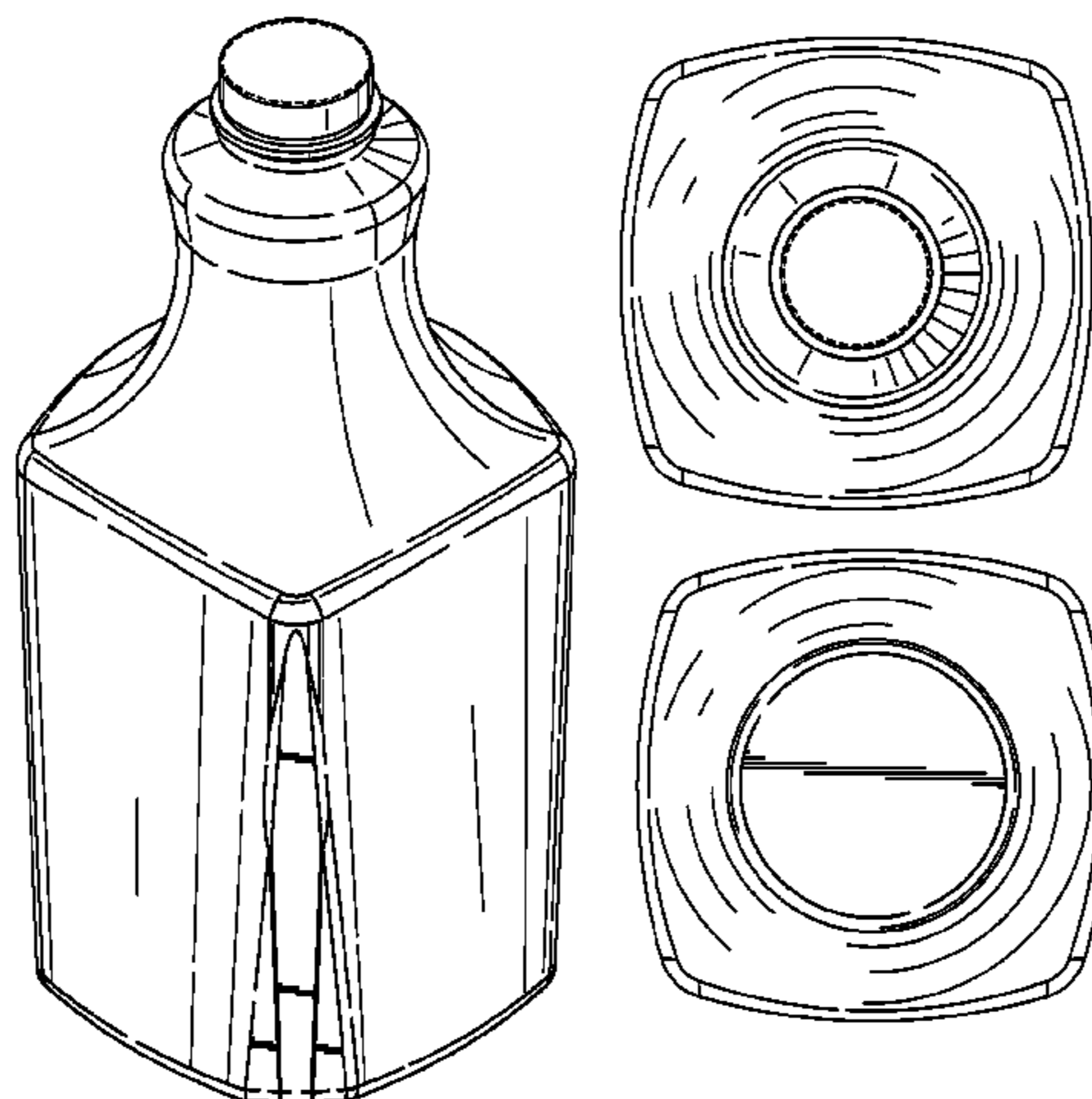
FIG. 4 is a bottom plan view thereof;

FIG. 5 is a left side elevational view of the bottle of FIG. 1 shown with a cap thereof, the front, left side, right side, and back side elevations of the cap being identical; and,

FIG. 6 is a top plan view thereof.

The broken lines shown on the bottom surface of the bottle in the drawing views are included for the purpose of showing environmental structure that forms no part of the claimed design.

1 Claim, 3 Drawing Sheets



US D578,399 S

Page 2

U.S. PATENT DOCUMENTS

D468,213 S	1/2003	Moore et al.	D526,905 S	8/2006	Beard et al.
D478,289 S	8/2003	Dean et al.	D530,612 S	10/2006	Lohrman et al.
D480,315 S	10/2003	Sadeghi et al.	D531,042 S	10/2006	Venkataraman et al.
D480,644 S	10/2003	Druitt	D537,726 S	3/2007	Elgebrant
D481,635 S	11/2003	Lovelace, Jr. et al.	D539,158 S	3/2007	Miller et al.
6,659,300 B2	12/2003	Wurster et al.	D539,159 S	3/2007	Slat et al.
D486,739 S	2/2004	Taylor et al.	D539,658 S	4/2007	Slat
D488,060 S	4/2004	Yourist	7,207,451 B2	4/2007	Taylor et al.
6,783,014 B2	8/2004	Luker	D542,656 S	5/2007	Szczesniak
D502,106 S	2/2005	Roseberg	D542,668 S	5/2007	Arthur et al.
D508,408 S	8/2005	Roseberg	D542,669 S	5/2007	Arthur et al.
6,997,336 B2	2/2006	Yourist et al.	D544,364 S	6/2007	Archeny et al.
D525,141 S	7/2006	Beard et al.	D547,665 S	7/2007	Lepoitevin
D526,209 S	8/2006	Beard et al.	D548,092 S	8/2007	Klemm
D526,210 S	8/2006	Beard et al.	D551,080 S	9/2007	Pedmo et al.
			D552,477 S	10/2007	Hemel

* cited by examiner

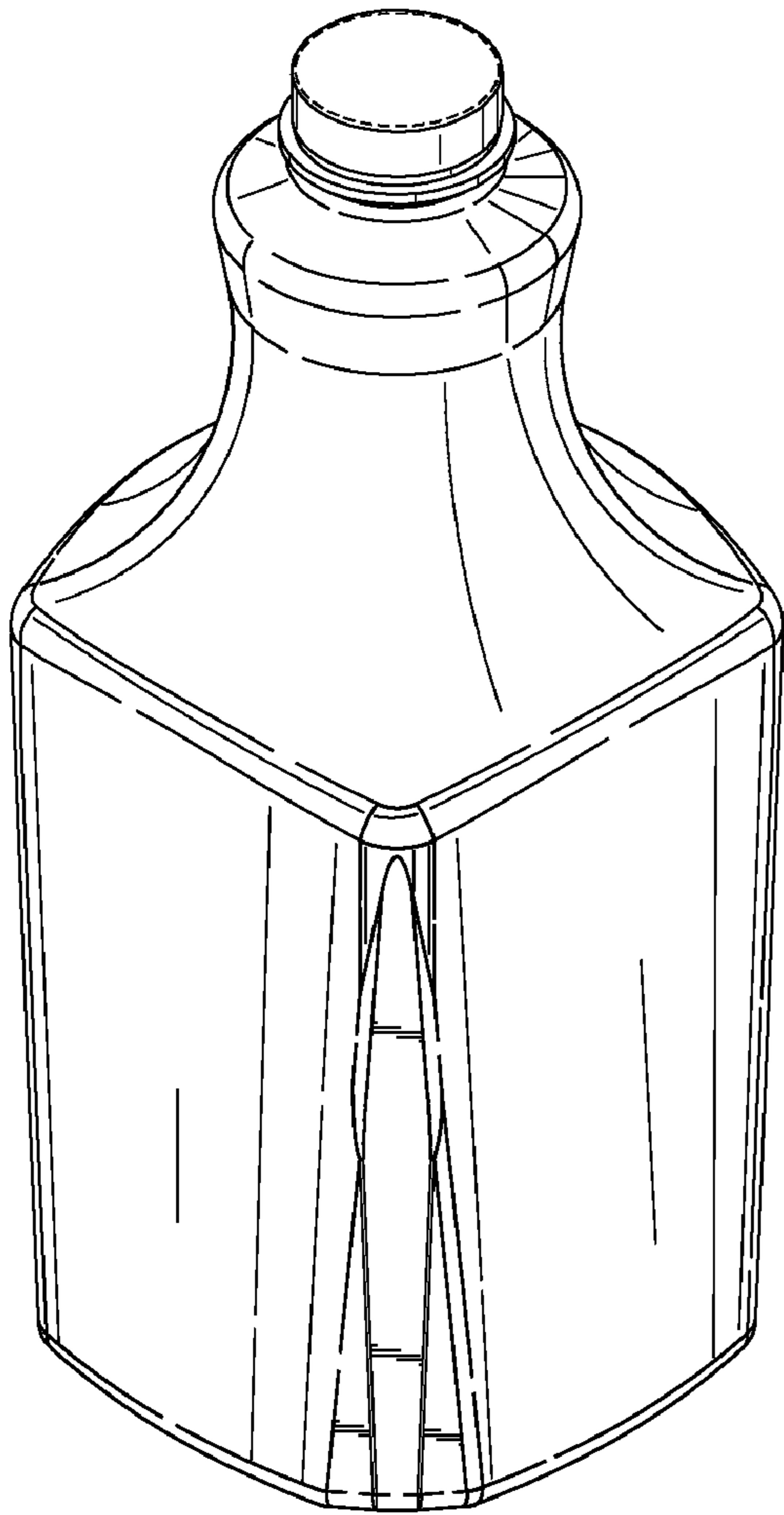


FIG. 1

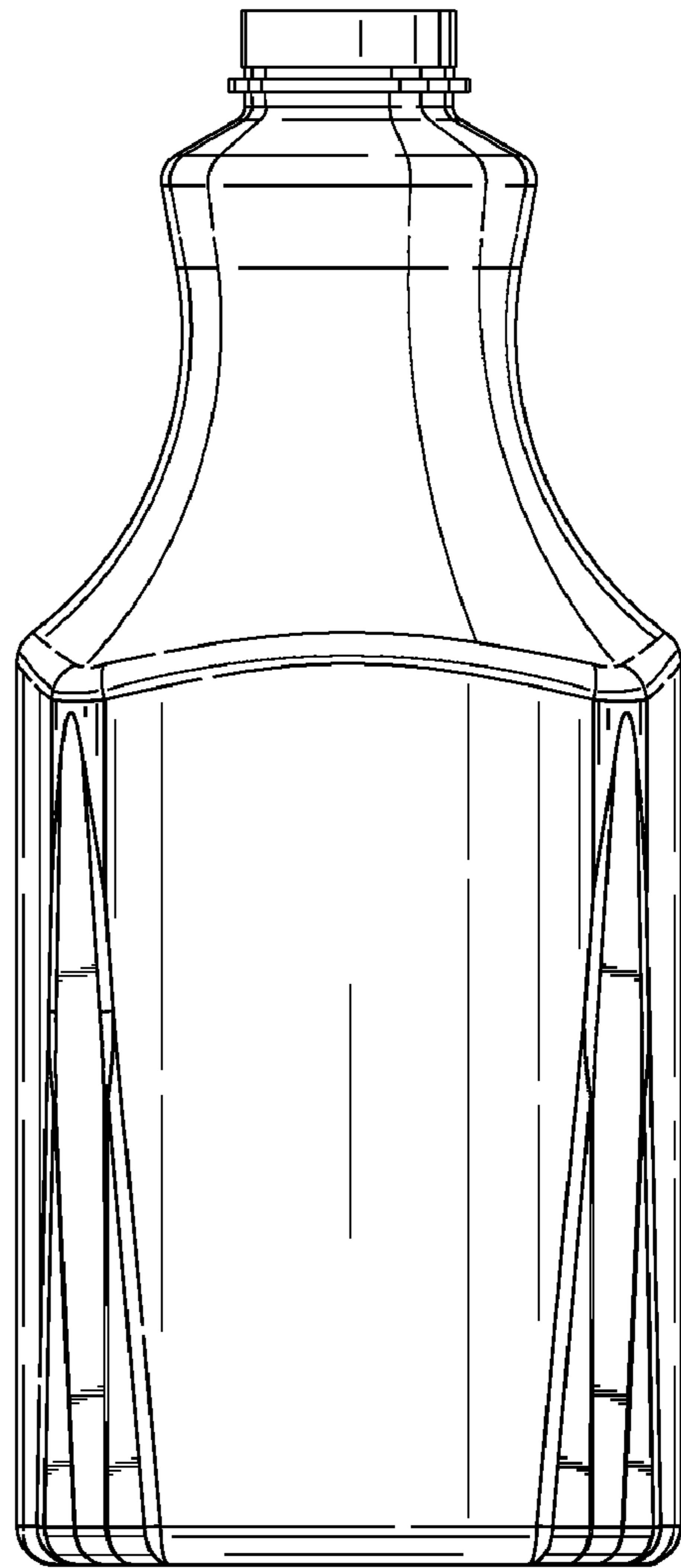


FIG. 2

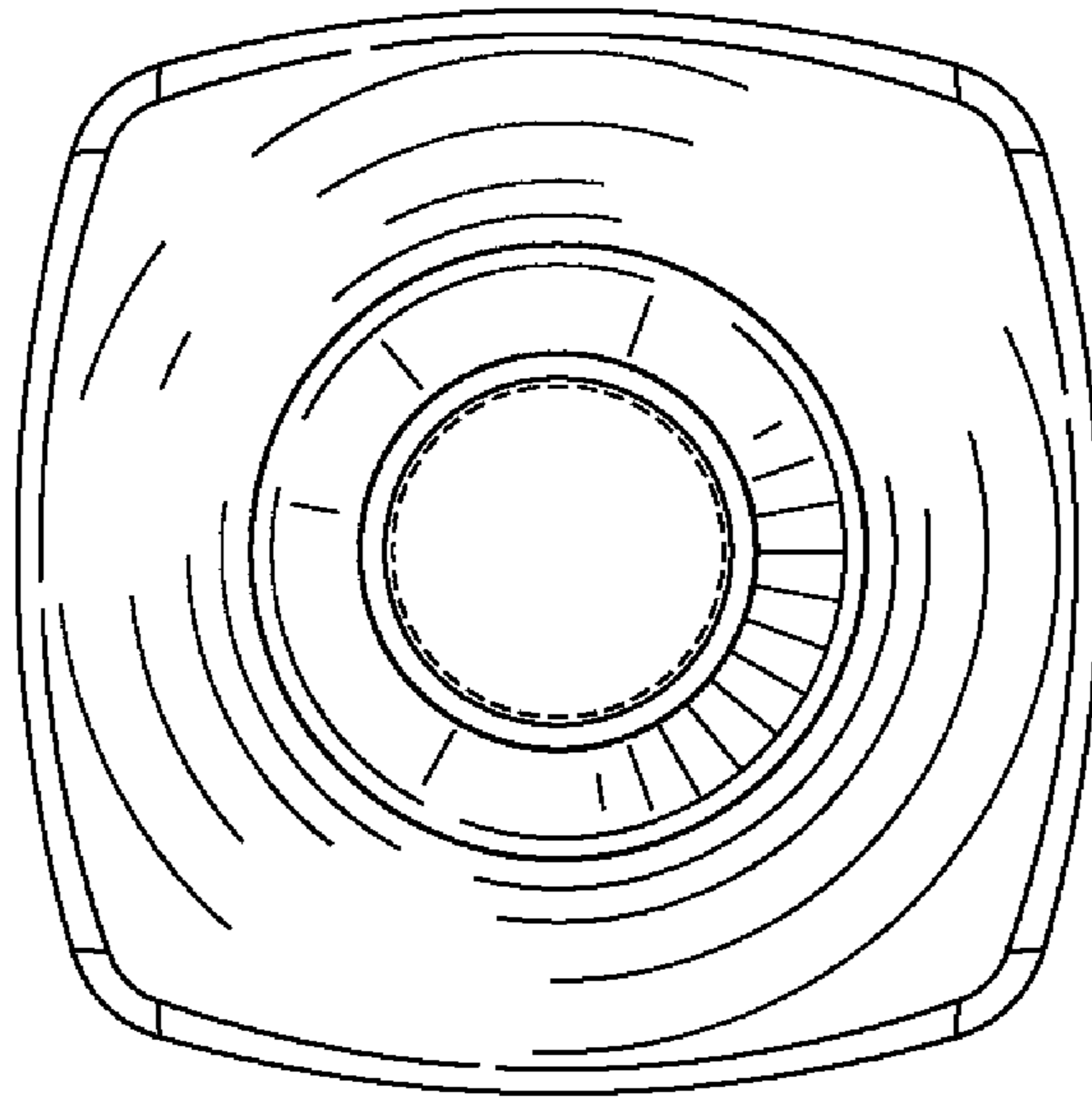


FIG. 3

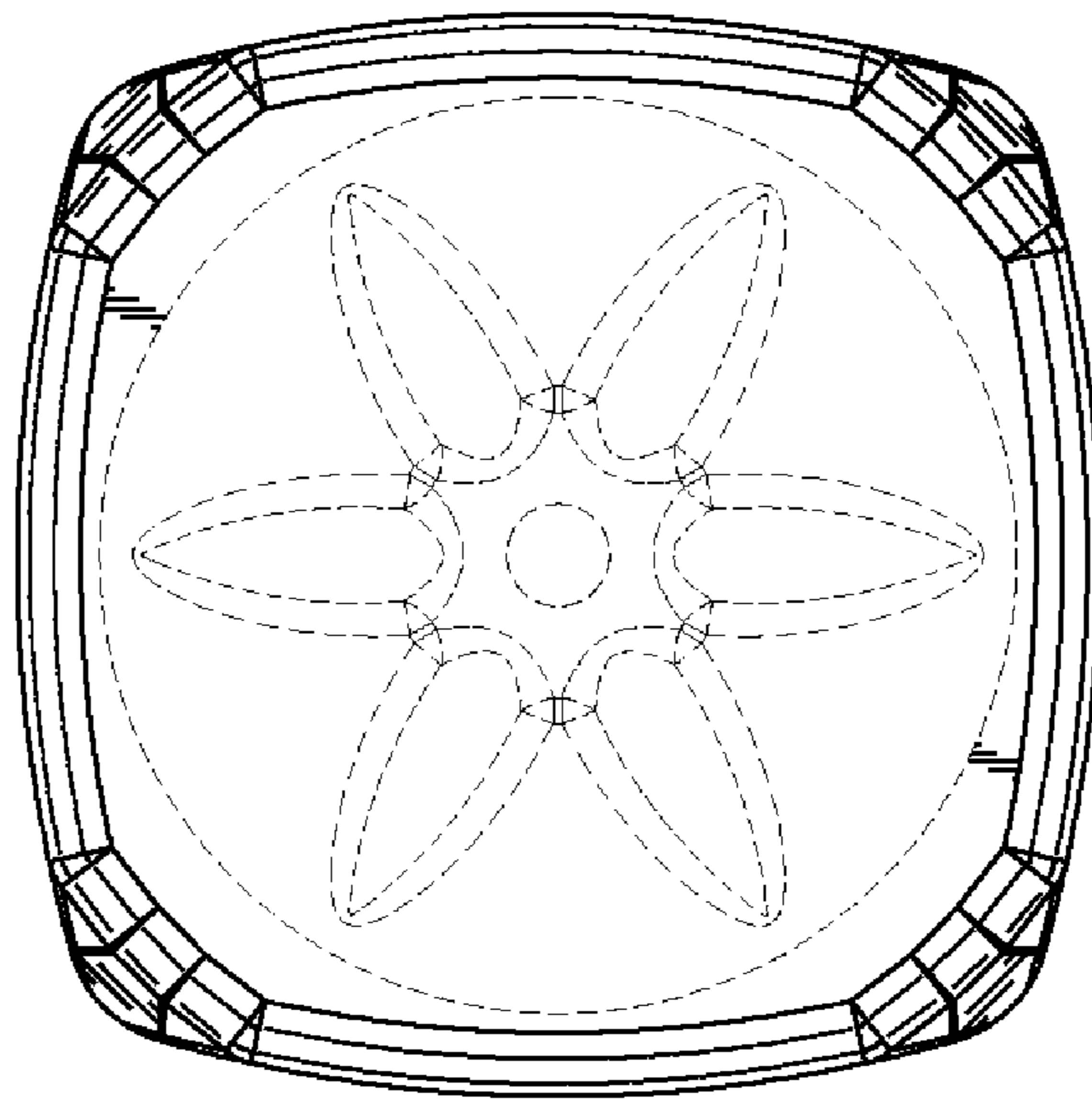


FIG. 4

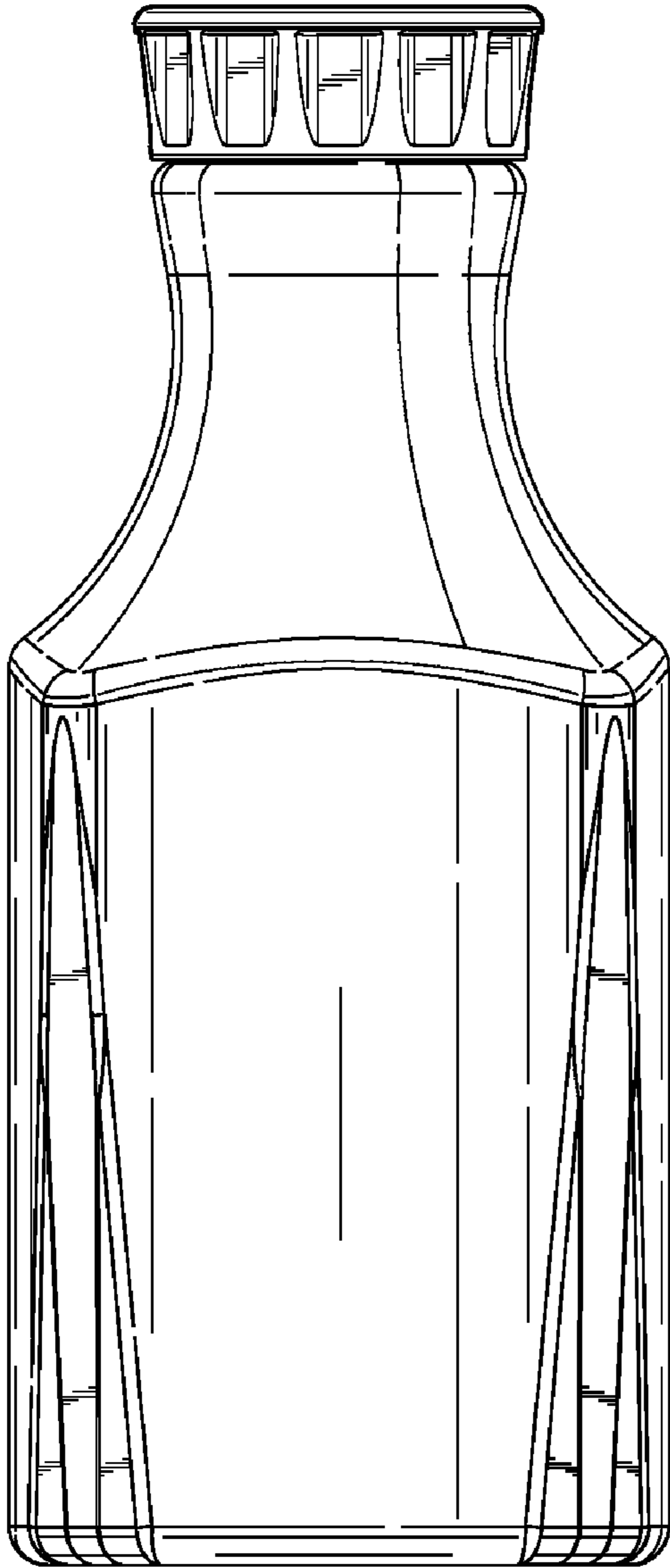


Fig. 5

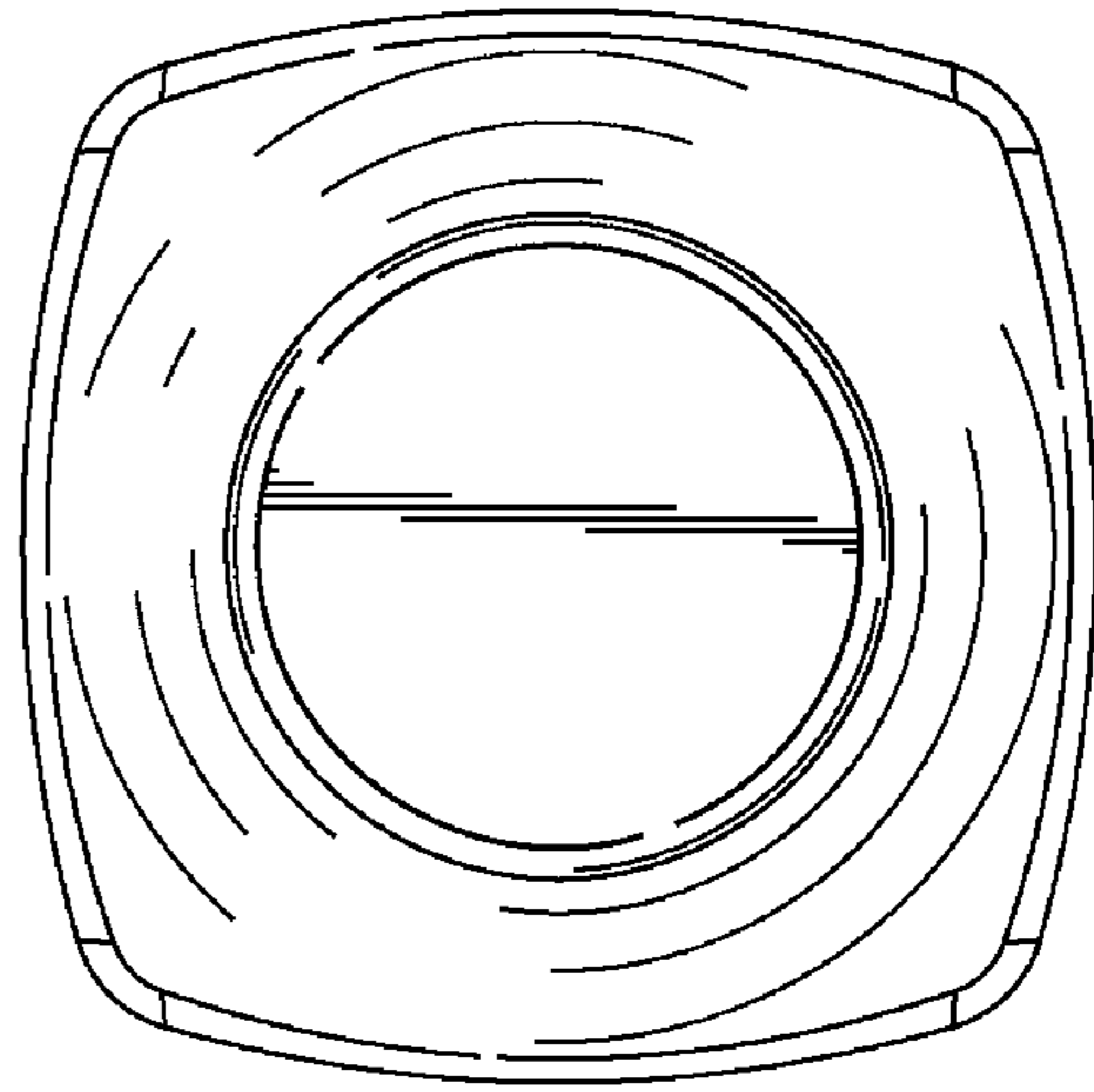


Fig. 6