



US00D578393S

(12) **United States Design Patent**
Canamasas Puigbo

(10) **Patent No.:** **US D578,393 S**

(45) **Date of Patent:** **** Oct. 14, 2008**

(54) **BOTTLE**

(76) **Inventor:** **Aniceto Canamasas Puigbo**, Avenida De La Fama, 129, Cornerkka De Llobregat, Barcelona (ES) 08940

(**) **Term:** **14 Years**

(21) **Appl. No.:** **29/298,629**

(22) **Filed:** **Dec. 10, 2007**

(30) **Foreign Application Priority Data**

Jun. 14, 2007 (EM) 000739966-0005

(51) **LOC (8) Cl.** **09-01**

(52) **U.S. Cl.** **D9/500**

(58) **Field of Classification Search** D9/500,
D9/502-505, 516, 529, 549, 558, 682, 686,
D9/688-692, 905; D3/203.2, 203.3; D28/7-8,
D28/76, 78, 82, 91; 215/379-385; 220/660,
220/662, 669, 675

See application file for complete search history.

(56) **References Cited**

U.S. PATENT DOCUMENTS

2,711,766 A * 6/1955 Archer et al. 220/62.18

3,550,803 A * 12/1970 Pierre 215/12.1

D354,441 S * 1/1995 Fontanella D9/504
D402,894 S * 12/1998 Elia D9/504
D405,003 S * 2/1999 Dapsanse D9/504
D435,449 S * 12/2000 Moretti D9/500
D459,498 S * 6/2002 Araujo D26/6
D480,000 S * 9/2003 Hirato D9/504
D532,937 S * 11/2006 Noh D28/76
D555,835 S * 11/2007 Song D28/76
2005/0011895 A1 * 1/2005 Lin 220/300

* cited by examiner

Primary Examiner—Ian Simmons

Assistant Examiner—Dana L Sipos

(74) *Attorney, Agent, or Firm*—Strum & Fix LLP

(57) **CLAIM**

The ornamental design for a bottle, as shown and described.

DESCRIPTION

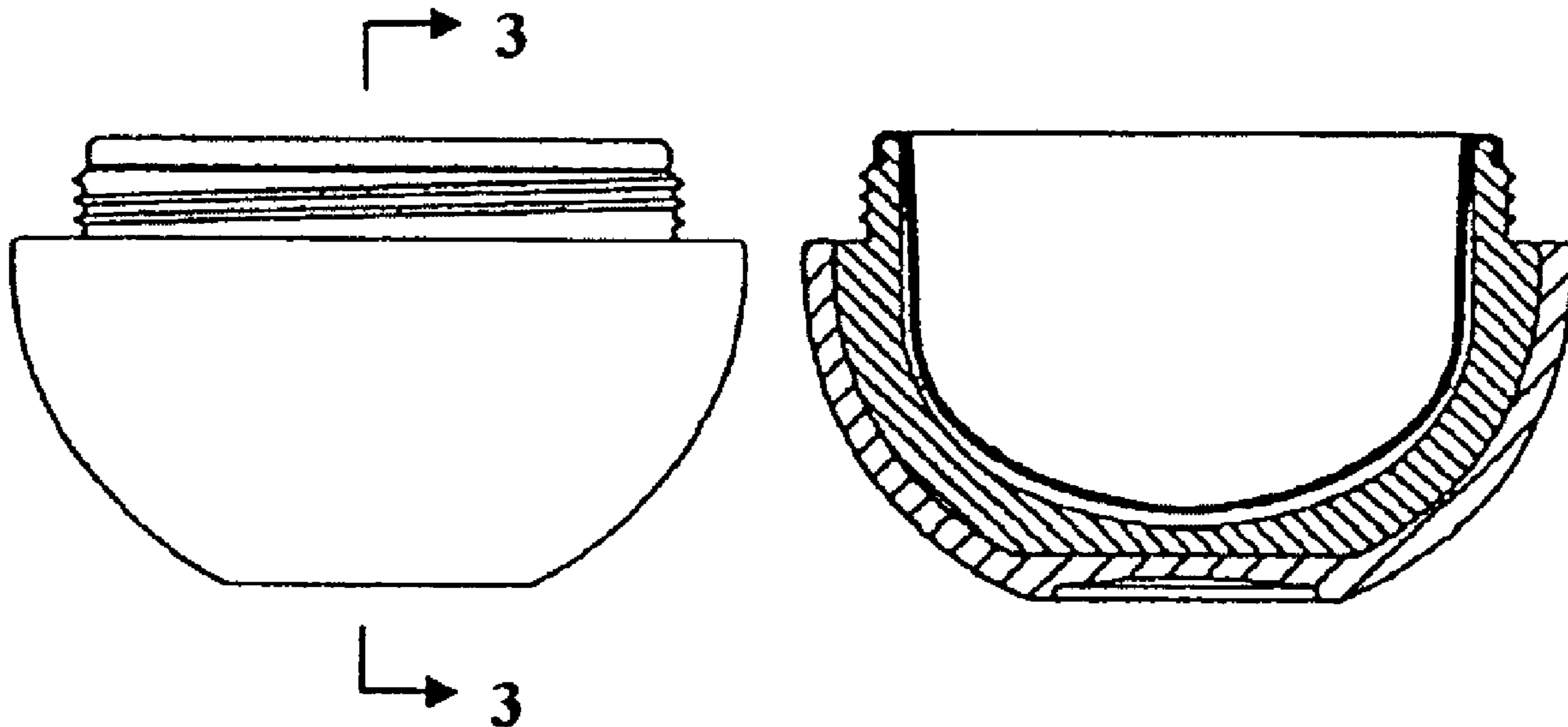
FIG. 1 is a bottom plan view of a bottle showing my new design;

FIG. 2 is a front elevation view thereof, the rear elevation view being identical;

FIG. 3 is a cross-section view taken along the line 3—3 in FIG. 2; and,

FIG. 4 is a top plan view thereof.

1 Claim, 1 Drawing Sheet



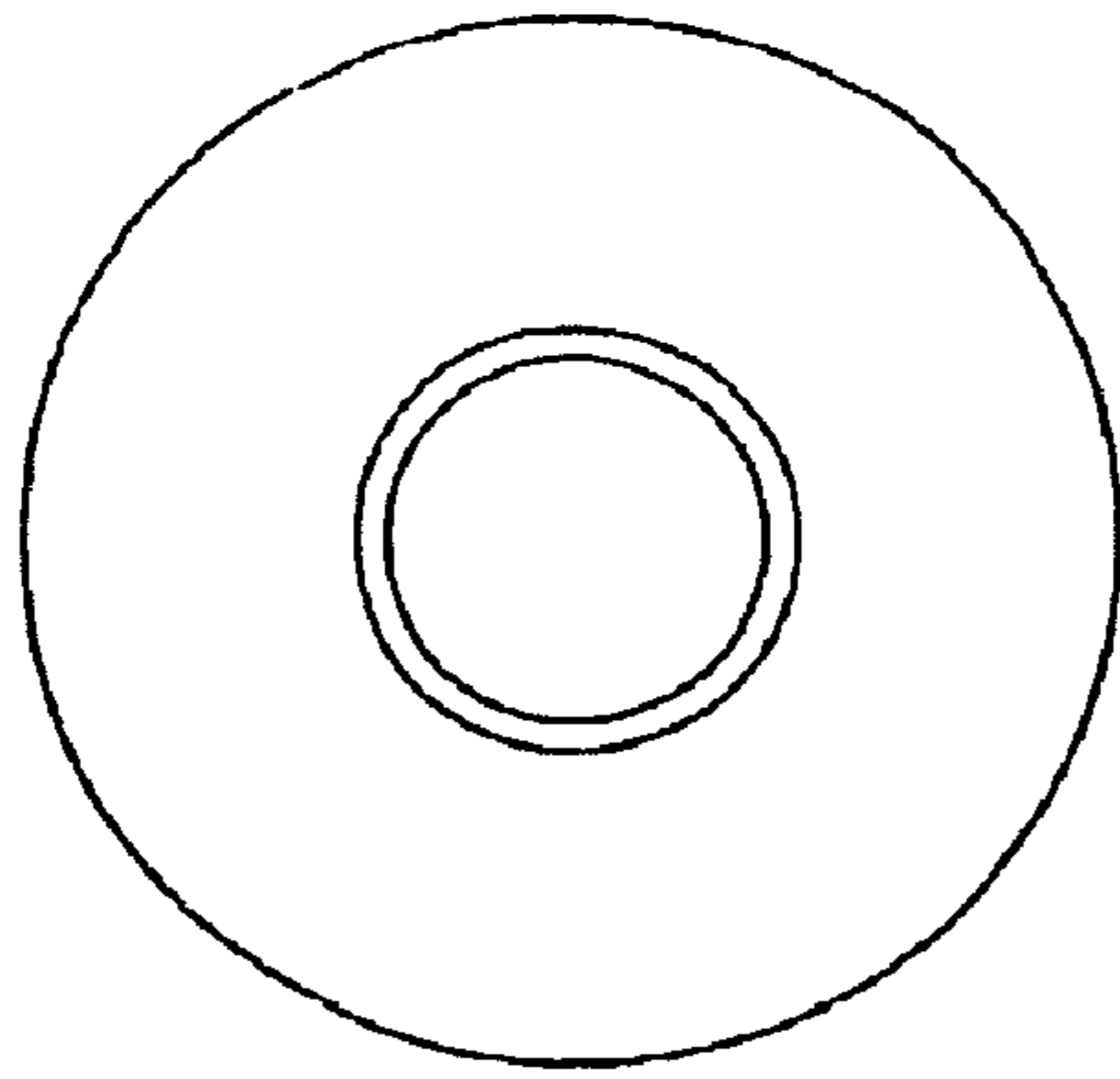


FIG. 1

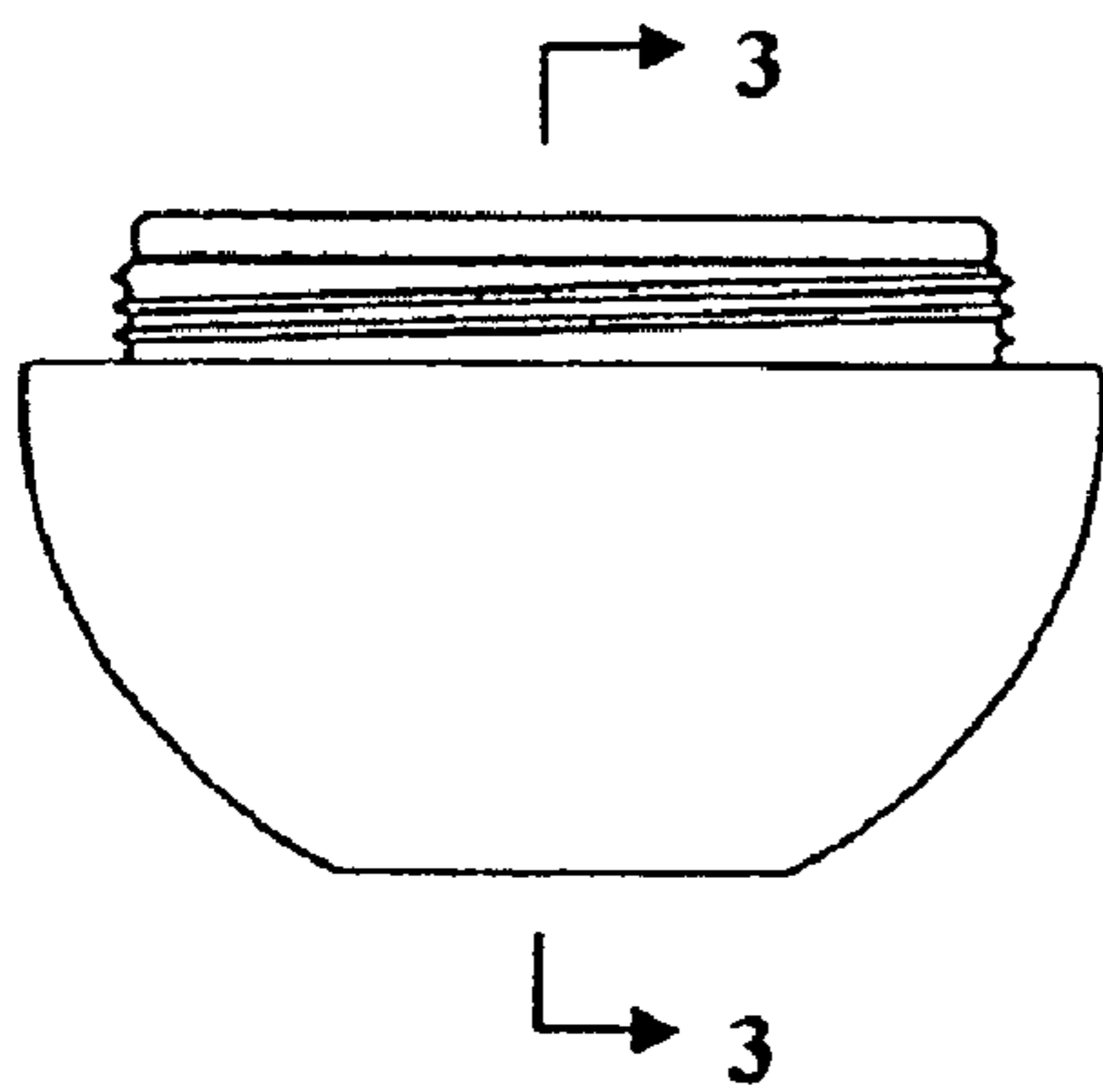


FIG. 2

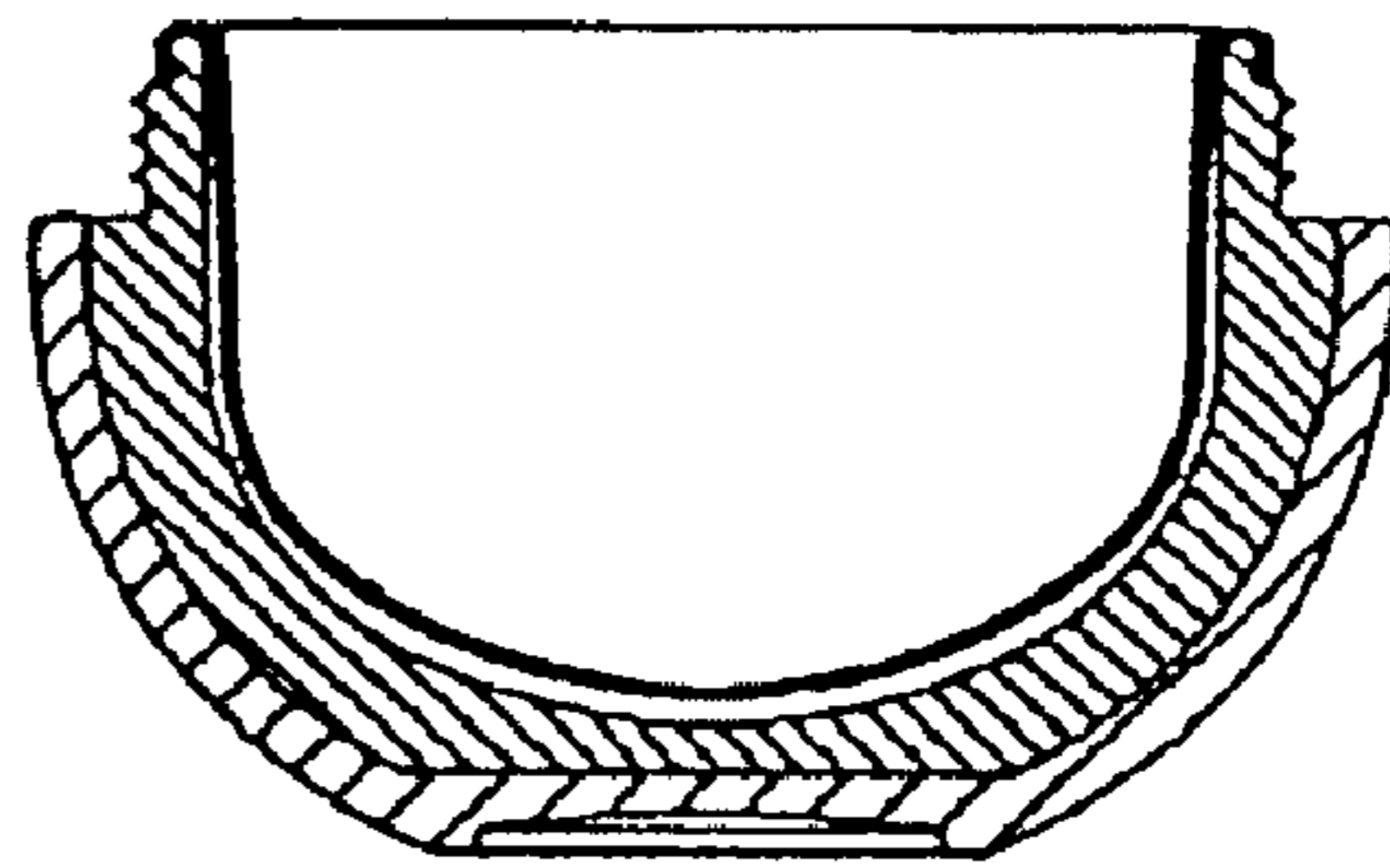


FIG. 3

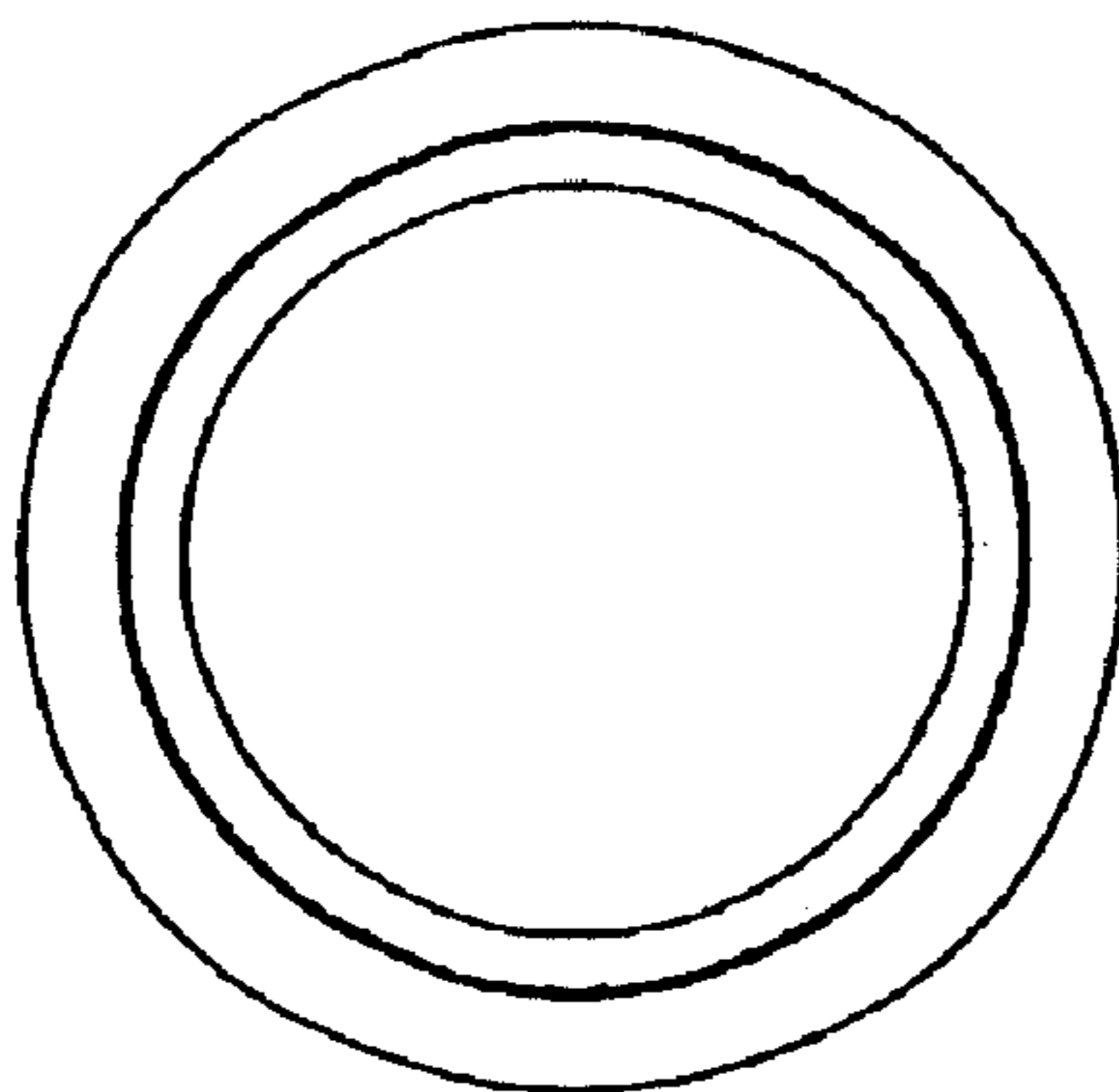


FIG. 4