



US00D578391S

(12) **United States Design Patent**  
**Larkin et al.**

(10) **Patent No.:** **US D578,391 S**  
(45) **Date of Patent:** **\*\* Oct. 14, 2008**

- (54) **BOTTLE CAP**
  - (75) Inventors: **Robert Larkin**, Lakeland, TN (US);  
**Ryan Davidson**, Evansville, IN (US)
  - (73) Assignee: **ACH Food Companies, Inc.**, Cordova,  
TN (US)
  - (\*\*) Term: **14 Years**
  - (21) Appl. No.: **29/275,778**
  - (22) Filed: **Jan. 5, 2007**
  - (51) **LOC (8) Cl.** ..... **09-07**
  - (52) **U.S. Cl.** ..... **D9/447; D9/443; D9/454**
  - (58) **Field of Classification Search** ..... D9/754,  
D9/753, 752, 741, 728, 724, 697, 695, 529,  
D9/524, 516, 454, 447, 445, 444, 442, 443,  
D9/440, 439, 435, 434; D7/679, 590-597,  
D7/511, 510, 401.1, 398; 241/169, 169.1,  
241/168; 229/906.1; 222/567, 566, 545,  
222/482, 480, 356, 151, 149, 142.1-142.9;  
220/713, 254.1, 703, 269; D23/260, 259
- See application file for complete search history.

- D312,785 S 12/1990 Tucker
- D315,872 S 4/1991 Bixler
- D317,411 S \* 6/1991 Holmes ..... D9/435
- D321,137 S 10/1991 Hofmann et al.
- D329,604 S 9/1992 Kuczer
- D330,164 S 10/1992 Tanaka
- D331,537 S 12/1992 Tucker
- D339,290 S 9/1993 Close
- D341,319 S \* 11/1993 Morin ..... D9/454
- D415,934 S \* 11/1999 Wallays ..... D7/590
- D435,218 S 12/2000 Kreiseder et al.
- D436,536 S 1/2001 Levi
- D481,633 S 11/2003 Schmidtner et al.
- D487,399 S 3/2004 Schmidtner et al.
- D487,699 S 3/2004 Myers et al.
- 6,877,626 B2 4/2005 Sherrod
- D533,396 S \* 12/2006 Lipson ..... D9/443
- 2002/0027142 A1 3/2002 Klein
- 2004/0124170 A1 7/2004 Sherrod

\* cited by examiner

*Primary Examiner*—Gary D. Watson  
*Assistant Examiner*—Susan Bennett Hattan

(57) **CLAIM**

The ornamental design for a bottle cap, as shown and described.

(56) **References Cited**

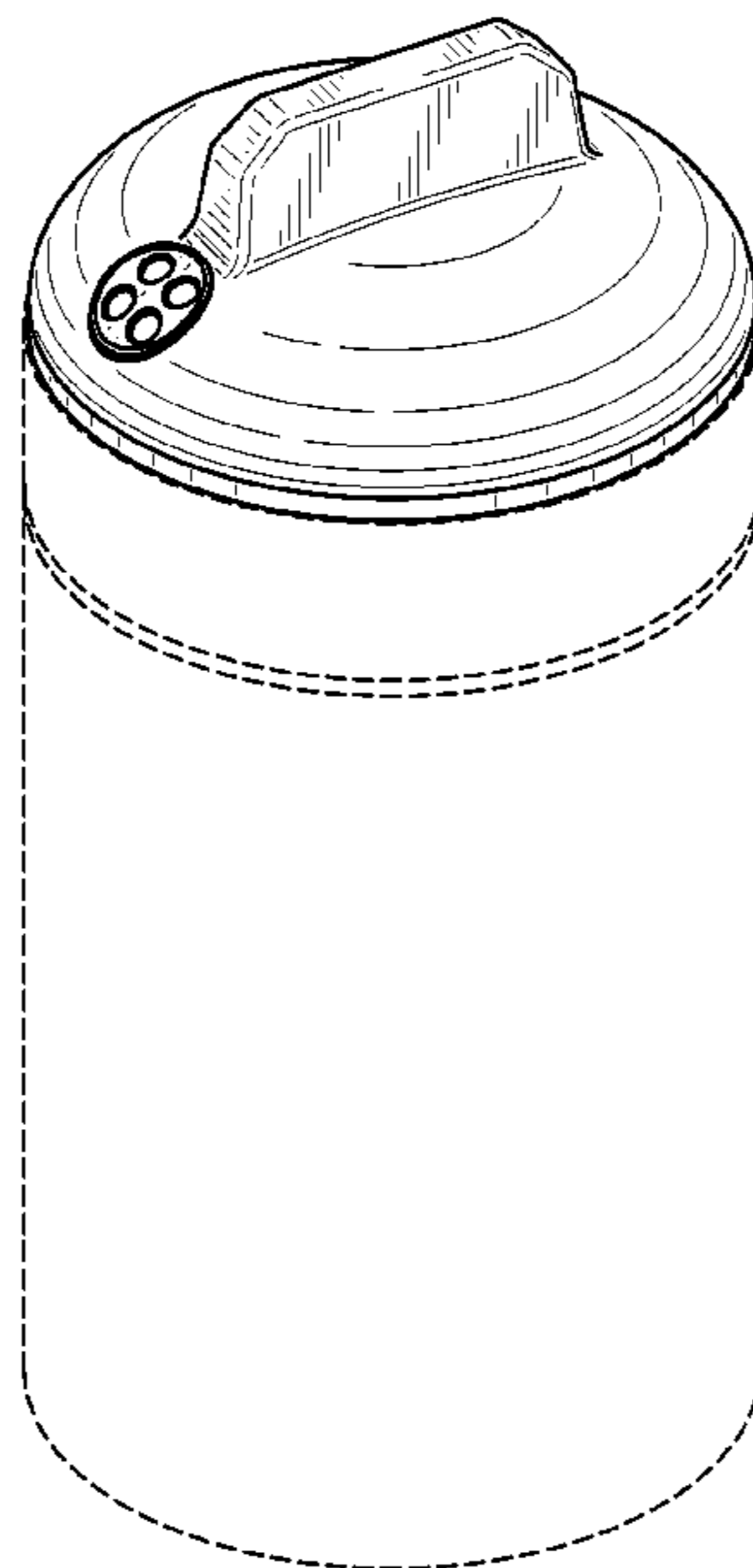
U.S. PATENT DOCUMENTS

- 1,977,649 A \* 10/1934 Sharp ..... 68/144
- 2,469,034 A \* 5/1949 Garris ..... 222/142.9
- D162,949 S \* 4/1951 Gowland ..... D7/591
- D198,724 S \* 7/1964 Curtiss ..... D9/447
- D207,887 S \* 6/1967 Parisson ..... D9/439
- 3,356,244 A 12/1967 Witchell
- D223,156 S \* 3/1972 Campbell ..... D23/260
- D228,345 S \* 9/1973 Kleinman ..... D9/439
- D247,310 S 2/1978 Safianoff
- D269,315 S \* 6/1983 Conti ..... D7/591
- D269,316 S \* 6/1983 Conti ..... D7/591
- D295,956 S \* 5/1988 Holewinski et al. .... D9/424

**DESCRIPTION**

FIG. 1 presents an isometric view of my ornamental design.  
FIG. 2 presents a side view of my ornamental design.  
FIG. 3 presents a side view of my ornamental design.  
FIG. 4 presents a side view of my ornamental design; and,  
FIG. 5 presents a top view of my ornamental design.  
The broken lines in the drawings are for illustrative purposes only and form no part of the claimed ornamental design.

**1 Claim, 5 Drawing Sheets**



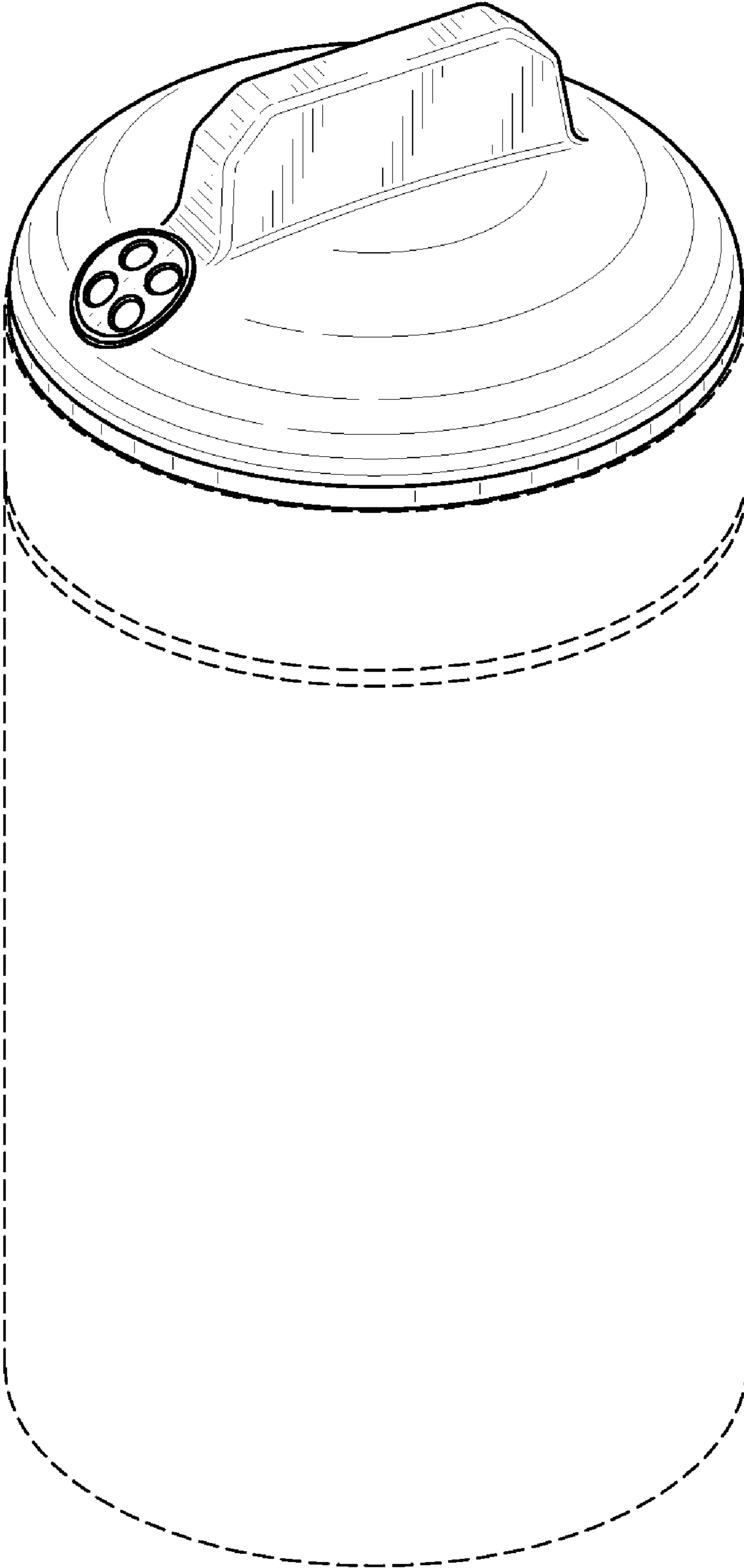


FIG. 1

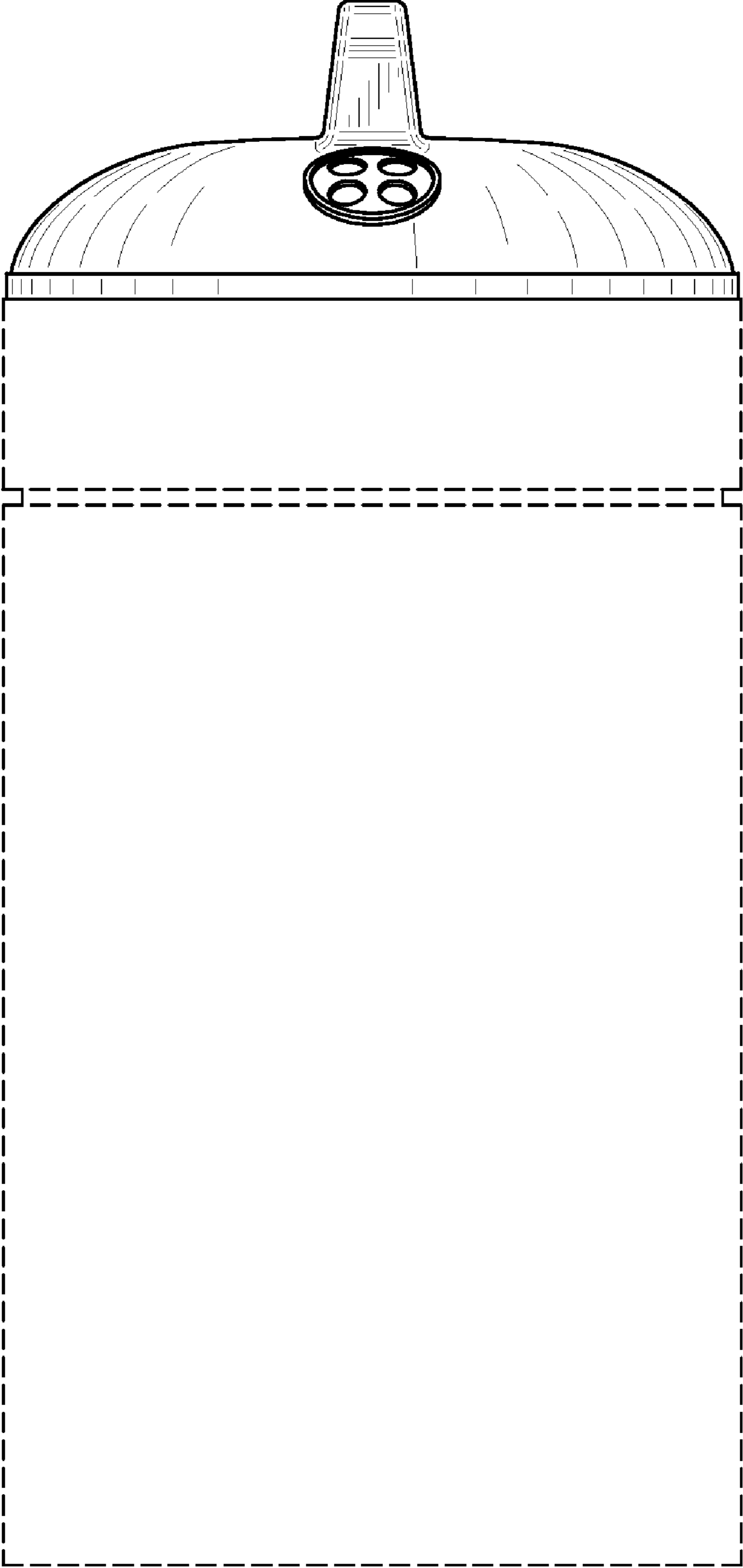


FIG. 2

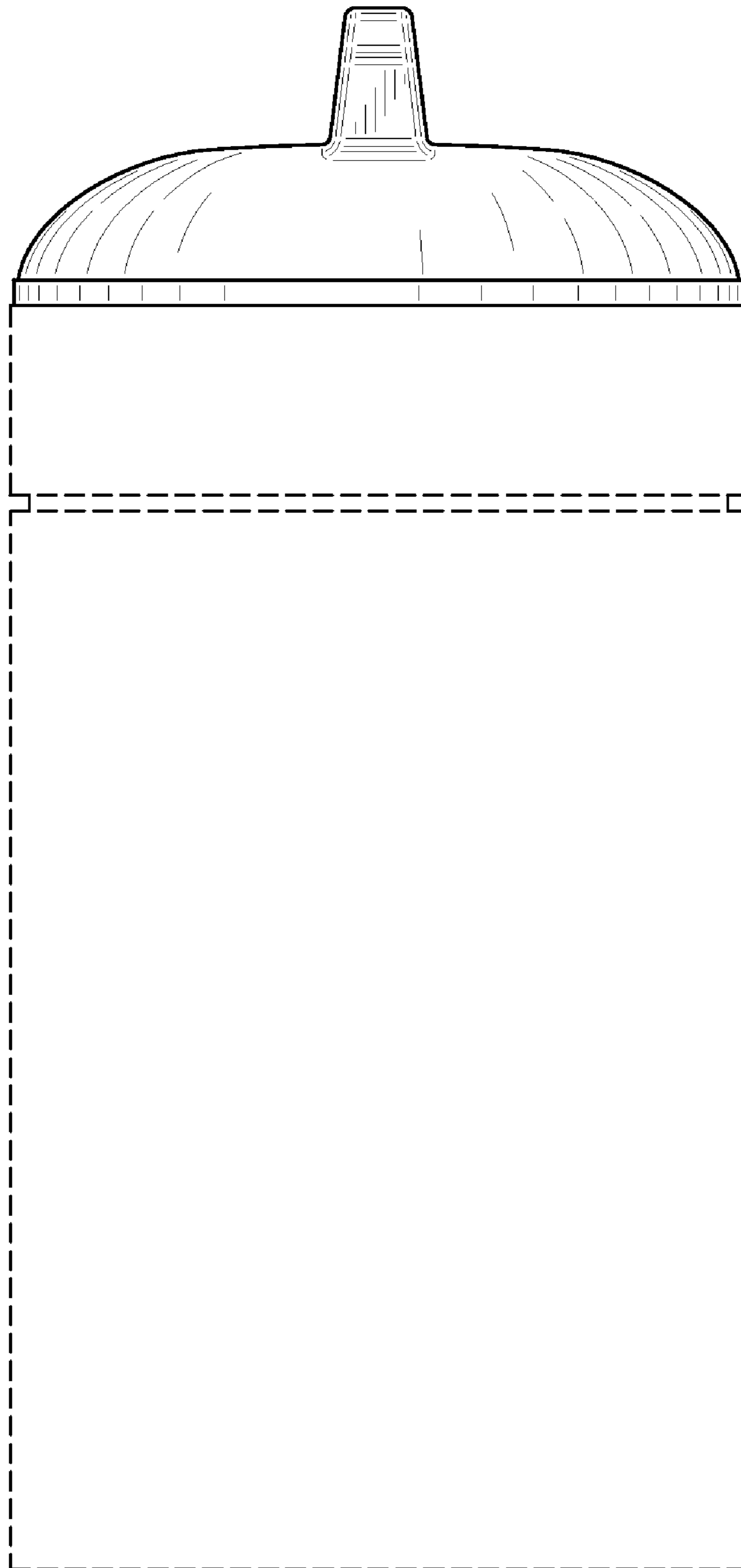


FIG. 3

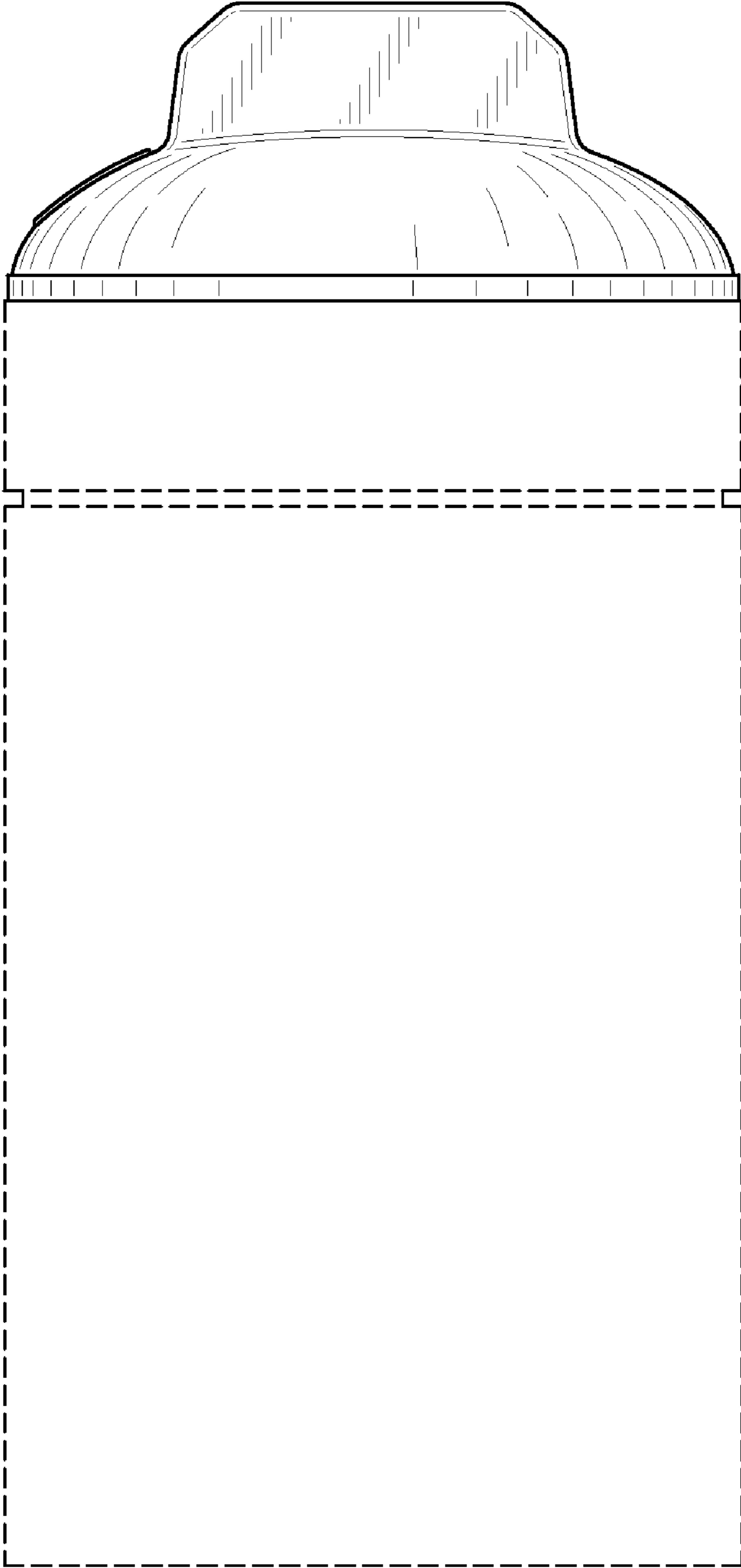


FIG. 4

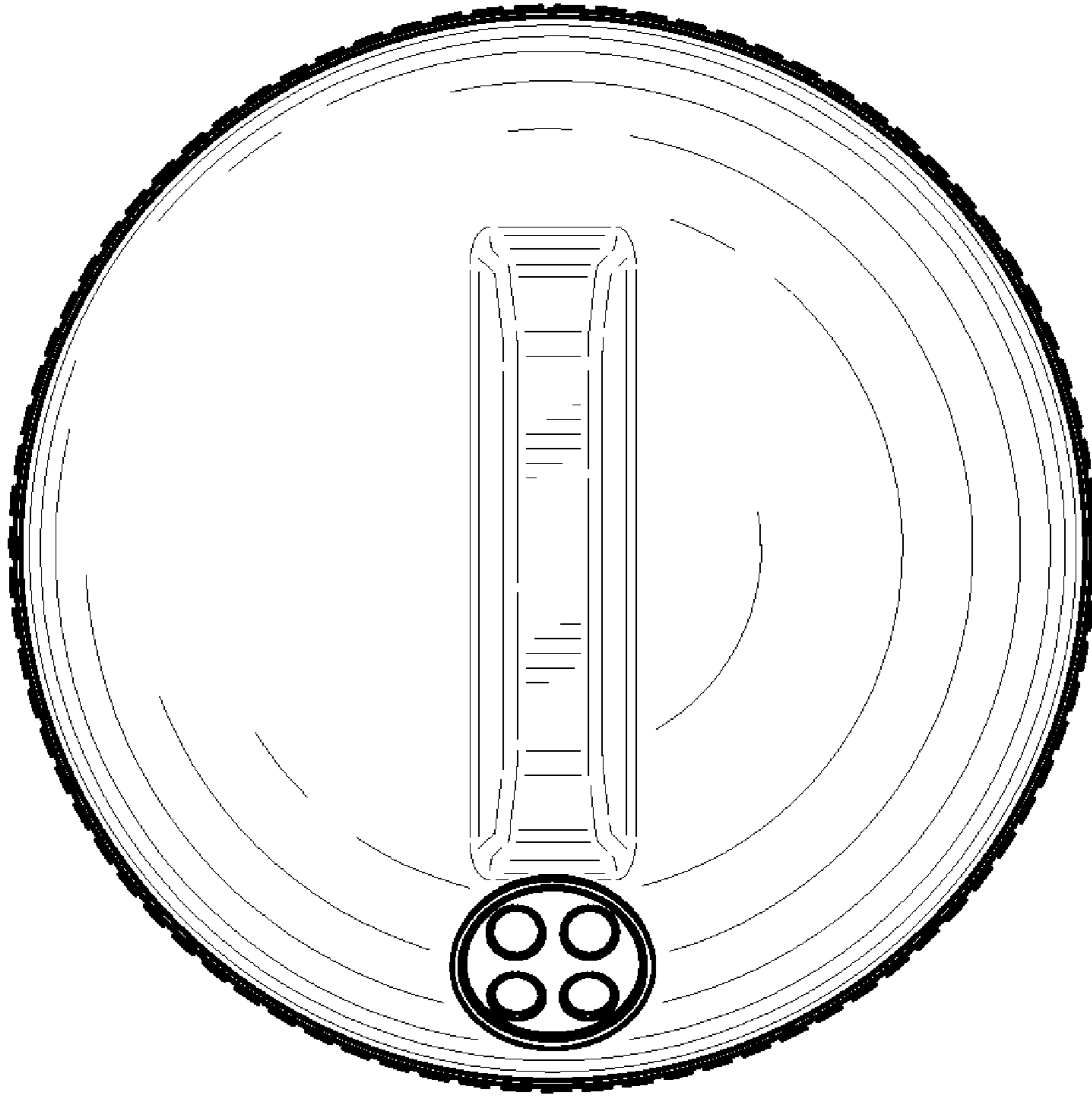


FIG. 5