



US00D578388S

(12) **United States Design Patent**
Lymn et al.

(10) **Patent No.:** **US D578,388 S**
(45) **Date of Patent:** **** Oct. 14, 2008**

(54) **PACKAGE FOR FOOD PRODUCTS**

(75) Inventors: **Kim Lymn**, Long Lake, MN (US); **Cari Tully**, Minneapolis, MN (US); **Brendan Dillon**, Minneapolis, MN (US); **Dana Mattingly**, Minneapolis, MN (US); **Gandhi Sifuentes**, Whittier, CA (US); **Craig Snedden**, Culver City, CA (US)

(73) Assignee: **Target Brands, Inc.**, Minneapolis, MN (US)

(**) Term: **14 Years**

(21) Appl. No.: **29/296,407**

(22) Filed: **Oct. 19, 2007**

(51) **LOC (8) Cl.** **09-03**

(52) **U.S. Cl.** **D9/425; D9/737; D9/761; D9/757**

(58) **Field of Classification Search** **D9/737, D9/761, 759, 414, 420-426, 430-432, 757; D7/553.1, 553.6, 553.7, 553.8, 629, 602; 206/564, 541; 220/4.23, 835, 839, 555, 575, 220/4.26, 4.27, 556, 557, 553; 229/902-904, 229/906, 406, 407, 110**

See application file for complete search history.

(56) **References Cited**

U.S. PATENT DOCUMENTS

3,536,251 A	10/1970	Edwards	206/521.1
D222,828 S *	1/1972	Giraudet	D9/757
3,767,110 A	10/1973	Congleton	220/4.23
D230,569 S	3/1974	Fallowfield	D9/423
3,942,707 A	3/1976	Schidlowski et al.	229/406
4,079,880 A	3/1978	Edwards	220/4.21
D254,776 S	4/1980	Edwards	D9/426
D256,097 S	7/1980	Amberg	D9/423
D262,355 S *	12/1981	Oakley	D9/757
D263,798 S	4/1982	Edwards	D9/426

D270,708 S	9/1983	Dart	D9/414
D277,167 S	1/1985	Dart	D9/414
D278,412 S	4/1985	Yeung	D9/420
D281,398 S	11/1985	Kesselring	D9/756
D282,147 S *	1/1986	Mangla	D9/757
D282,245 S	1/1986	Yeung	D9/425
D284,727 S	7/1986	Gerber	D7/546

(Continued)

OTHER PUBLICATIONS

The Brenmar Company, Inc., Hinged Cupcake/Muffin Containers, <http://www.brenmarco.com/supermarket/SUPERMARKET%20LARGE%20PAGES/cupcakecont.html>, Jan. 31, 2008, 3 pages.*

(Continued)

Primary Examiner—Stella M. Reid

Assistant Examiner—Mark A Goodwin

(74) *Attorney, Agent, or Firm*—Theodore M. Magee; Westman, Champlin & Kelly, P.A.

(57) **CLAIM**

The ornamental design for a package for food products, as shown and described.

DESCRIPTION

FIG. 1 is a top left front perspective view of the package for food products.

FIG. 2 is a left side view of the package for food products.

FIG. 3 is a right side view of the package for food products.

FIG. 4 is a front view of the package for food products.

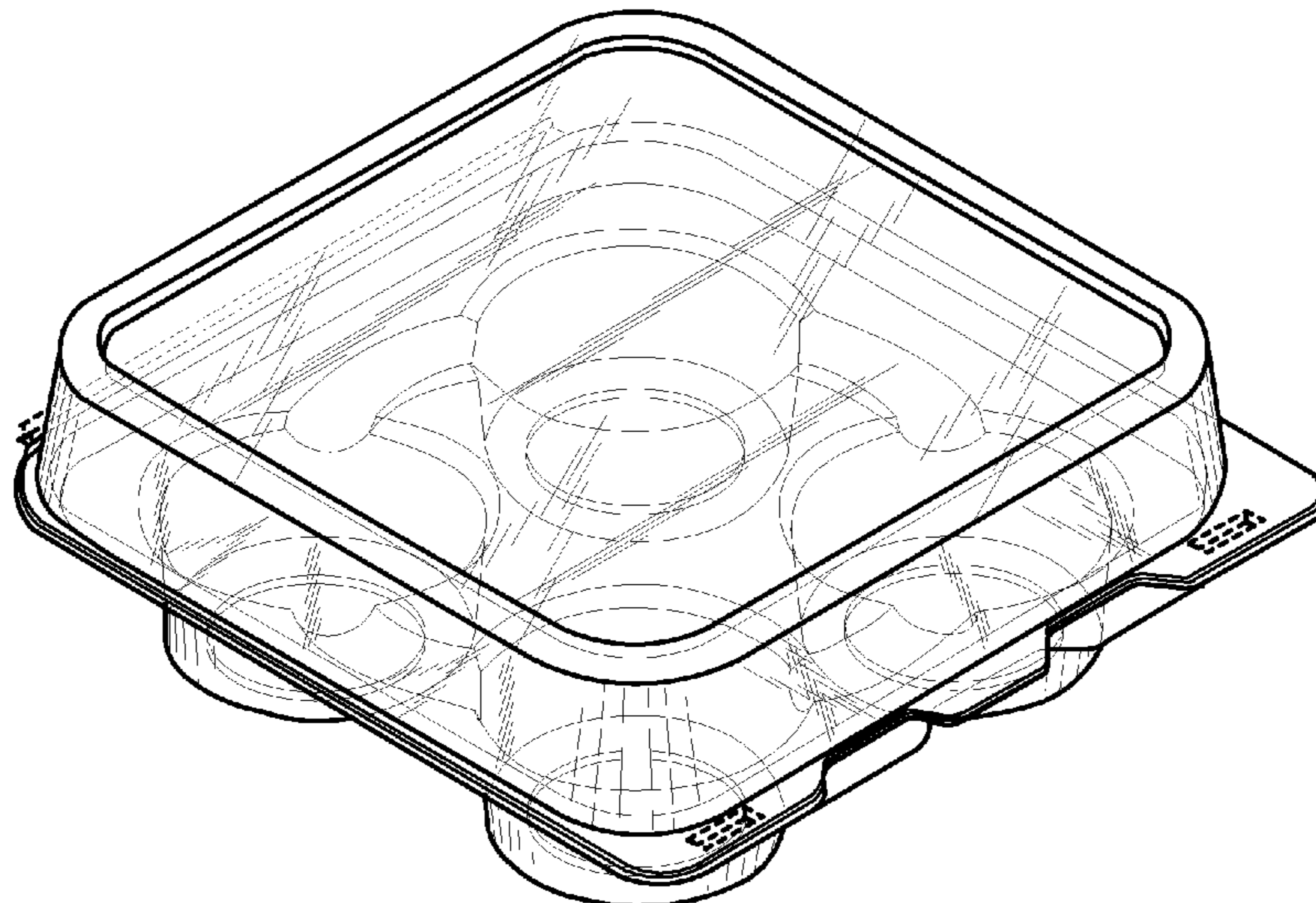
FIG. 5 is a back view of the package for food products.

FIG. 6 is a top view of the package for food products; and,

FIG. 7 is a bottom view of the package for food products.

The dotted lines in FIGS. 1-7 do not form any part of the claimed design for the package for food products.

1 Claim, 7 Drawing Sheets



U.S. PATENT DOCUMENTS

4,660,716 A 4/1987 McMahon et al. 206/216
 D304,908 S 12/1989 Natori D9/423
 D305,409 S 1/1990 Michaud et al. D9/425
 D320,522 S 10/1991 Deremiah D9/757
 D339,744 S 9/1993 Seppala D9/425
 D363,879 S * 11/1995 Krupa et al. D9/423
 D376,314 S 12/1996 Krupa D9/425
 D394,985 S * 6/1998 Curtis et al. D7/538
 D407,014 S 3/1999 McCann D9/423
 D407,015 S 3/1999 Jones D9/426
 D408,734 S 4/1999 McCann D9/423
 D409,085 S 5/1999 Wyslowsky et al. D9/425
 D411,448 S * 6/1999 Baker D9/415
 5,947,321 A 9/1999 Vadney 220/367.1
 D446,450 S 8/2001 Zettle et al. D9/425
 D448,991 S 10/2001 Zettle et al. D9/425
 6,715,632 B2 4/2004 Baker 220/835
 D500,674 S 1/2005 Chou D9/737
 D505,323 S 5/2005 Ramirez et al. D9/425
 D512,305 S * 12/2005 Ramirez et al. D9/425
 D514,452 S * 2/2006 Enriquez D9/759
 D531,894 S 11/2006 Ramirez et al. D9/423
 D540,666 S 4/2007 Ramirez et al. D9/423
 D541,649 S 5/2007 Ramirez et al. D9/426

D557,601 S 12/2007 Minidis et al. D9/425
 2004/0007583 A1* 1/2004 Lin 220/835

OTHER PUBLICATIONS

Plastic Container City, Hinged Plastic Containers, http://www.plasticcontainercity.com/Hinged_Plastic_Containers-Produced.html, Jan. 31, 2008, 5 pages.*
 Country Clean Paper Supplies, <http://www.wesellcoffee.com/page72.html>, Jan. 31, 2008, 11 pages.*
 CM Packaging, http://www.cmpackaging.com/ProductCart/pc/viewCat_g.asp?idCategory=63, Jan. 31, 2008, 1 page.*
 CM Packaging, http://www.cmpackaging.com/ProductCart/pc/viewCat_h.asp?idCategory=59, Jan. 31, 2008, 4 pages.*
 Genpak, Clear Hinged Baery Containers, <http://www.genpak.com/cfm/caontainersbycategory.cfm?catid=71>, Jan. 31, 2008, 3 pages.*
 ReStockIt.com, Black Plastic Hinged Lid Hoagie Container, [http://www.restockit.com/Black-Plastic-Hinged-Lid-Hoagie-Container-8-\(REY12481\).html](http://www.restockit.com/Black-Plastic-Hinged-Lid-Hoagie-Container-8-(REY12481).html), Jan. 31, 2008, 7 pages.*
 ReStockIt.com, Plastic Hinged Lid Containers, <http://www.restockit.com/Plastic-Hinged-Lid-Containers.html>, Jan. 31, 2008, 9 pages.*
 ReStockIt.com, Clear Plastic Hinged Lid 1 Compartment, [http://www.restockit.com/H-Lid---Plastic-1Comp---Large---Clear---\(C55UT1DART\)---ON-SALE-TODAY!.html](http://www.restockit.com/H-Lid---Plastic-1Comp---Large---Clear---(C55UT1DART)---ON-SALE-TODAY!.html), Jan. 31, 2008, 7 pages.*

* cited by examiner

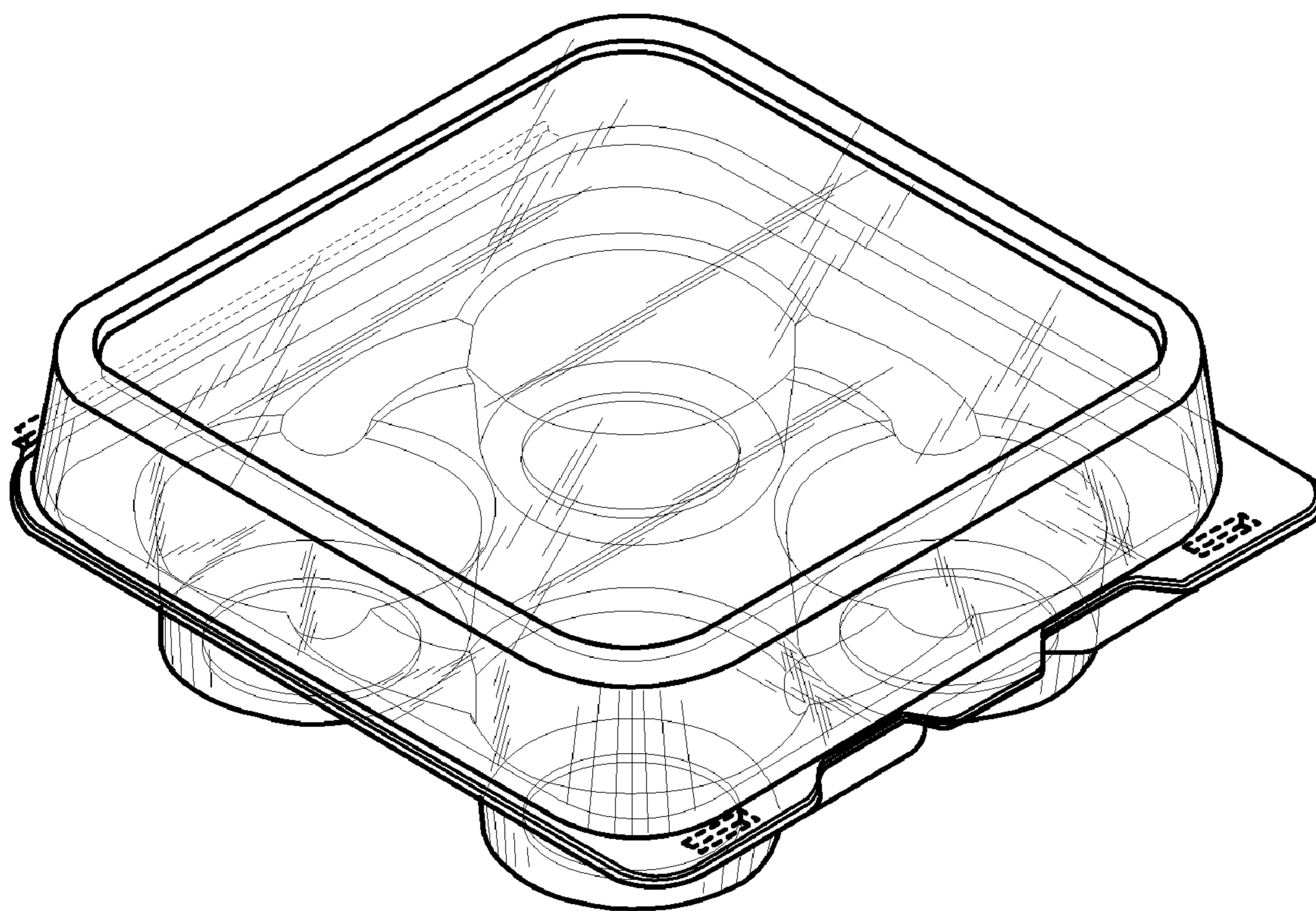


FIG. 1

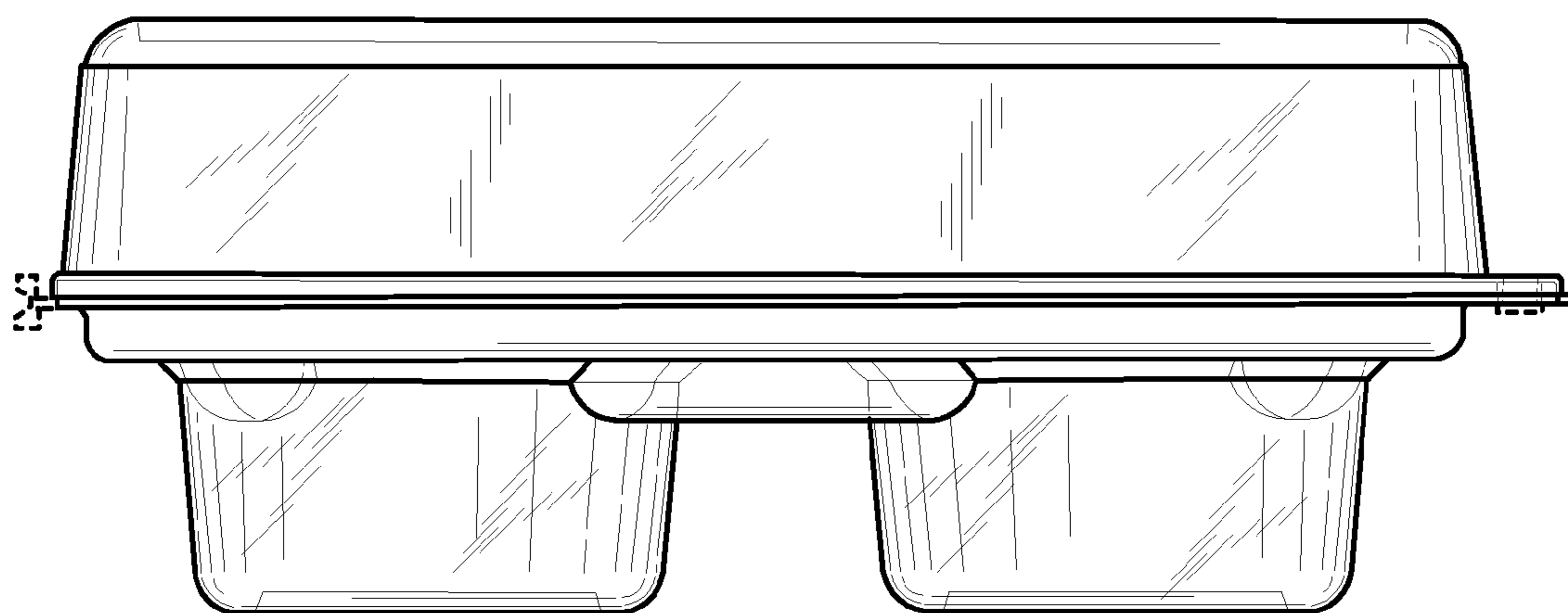


FIG. 2

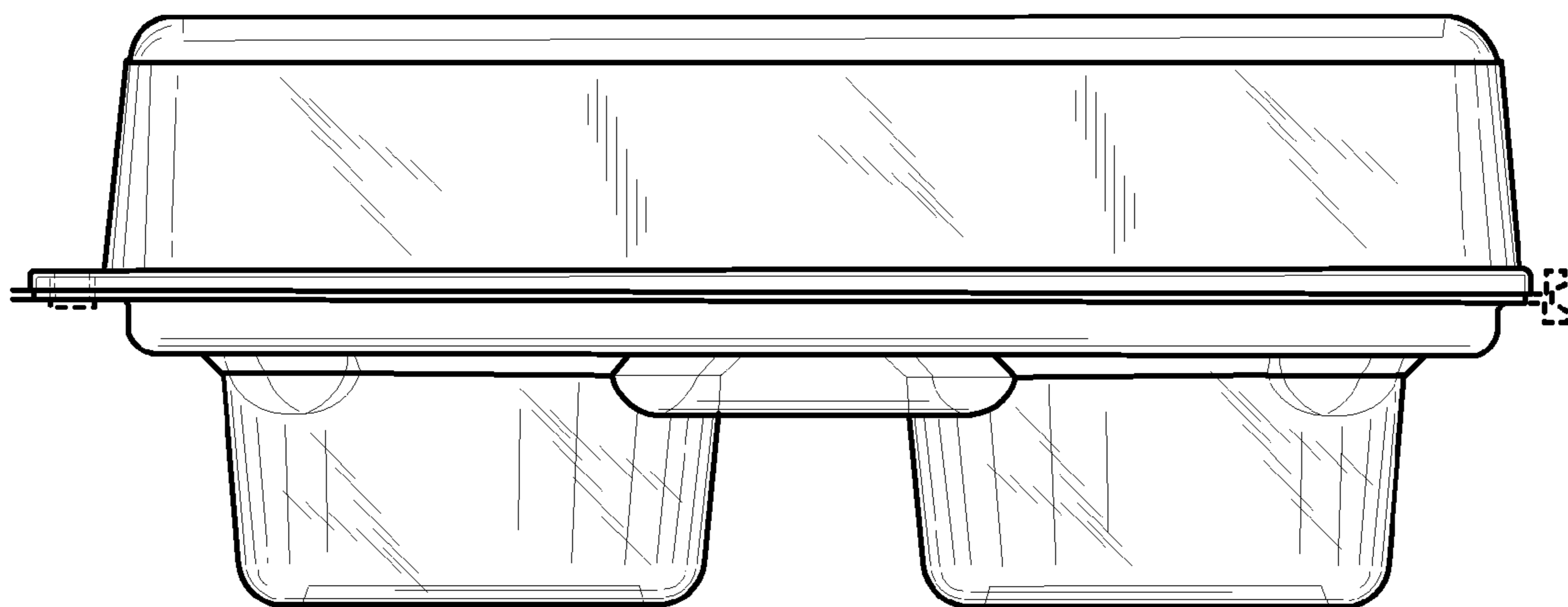


FIG. 3

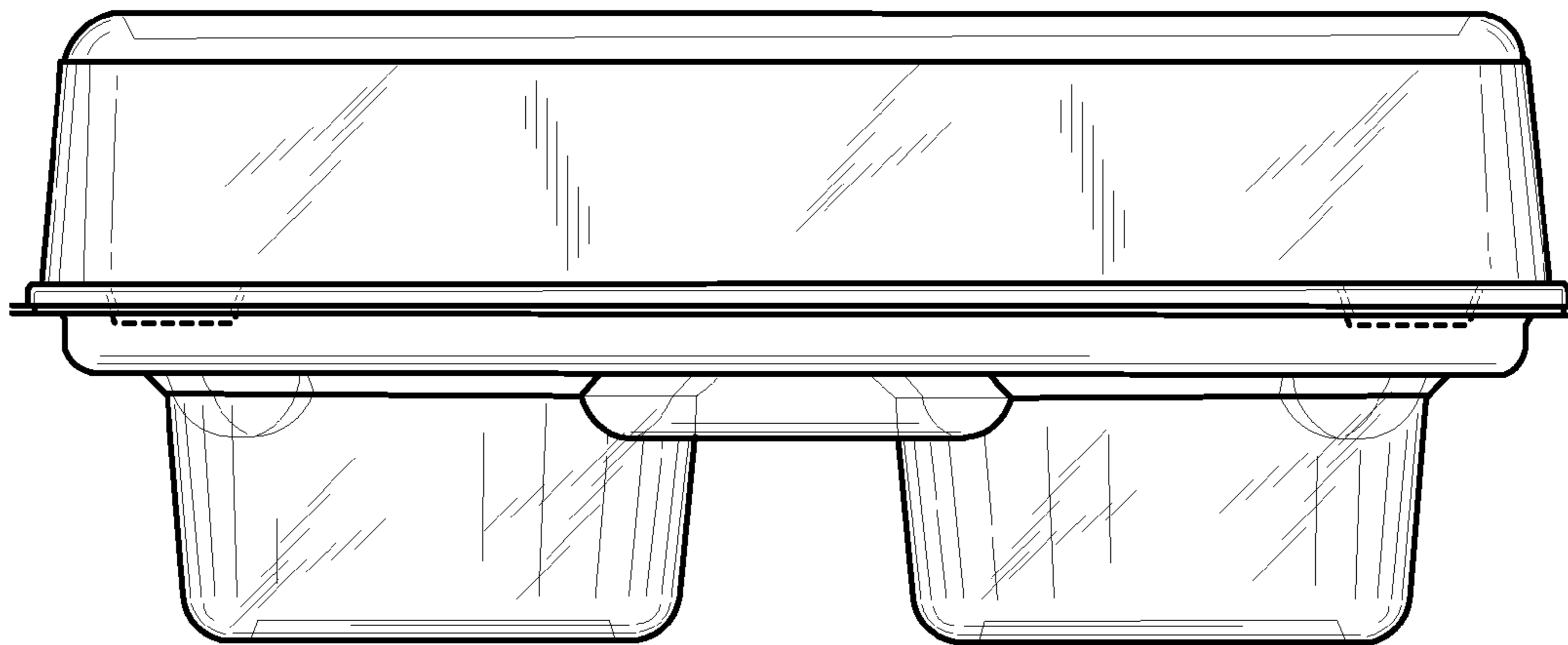


FIG. 4

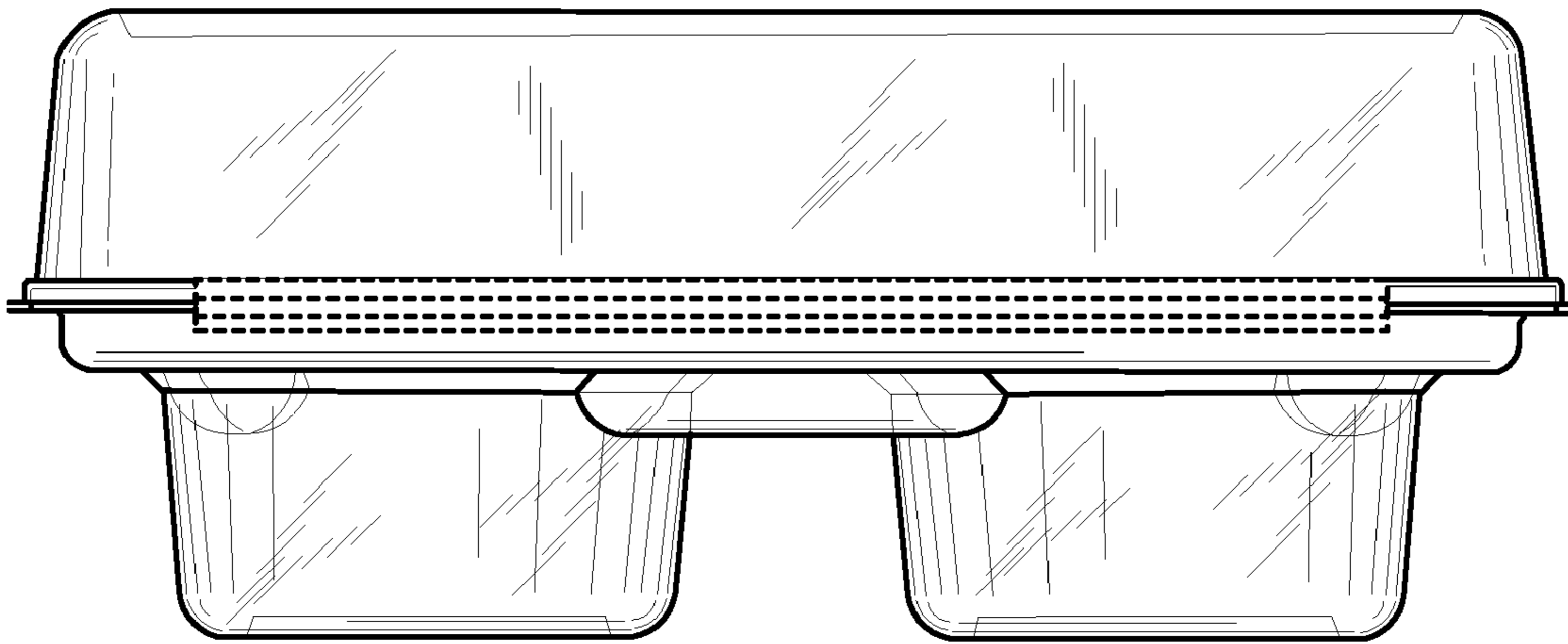


FIG. 5

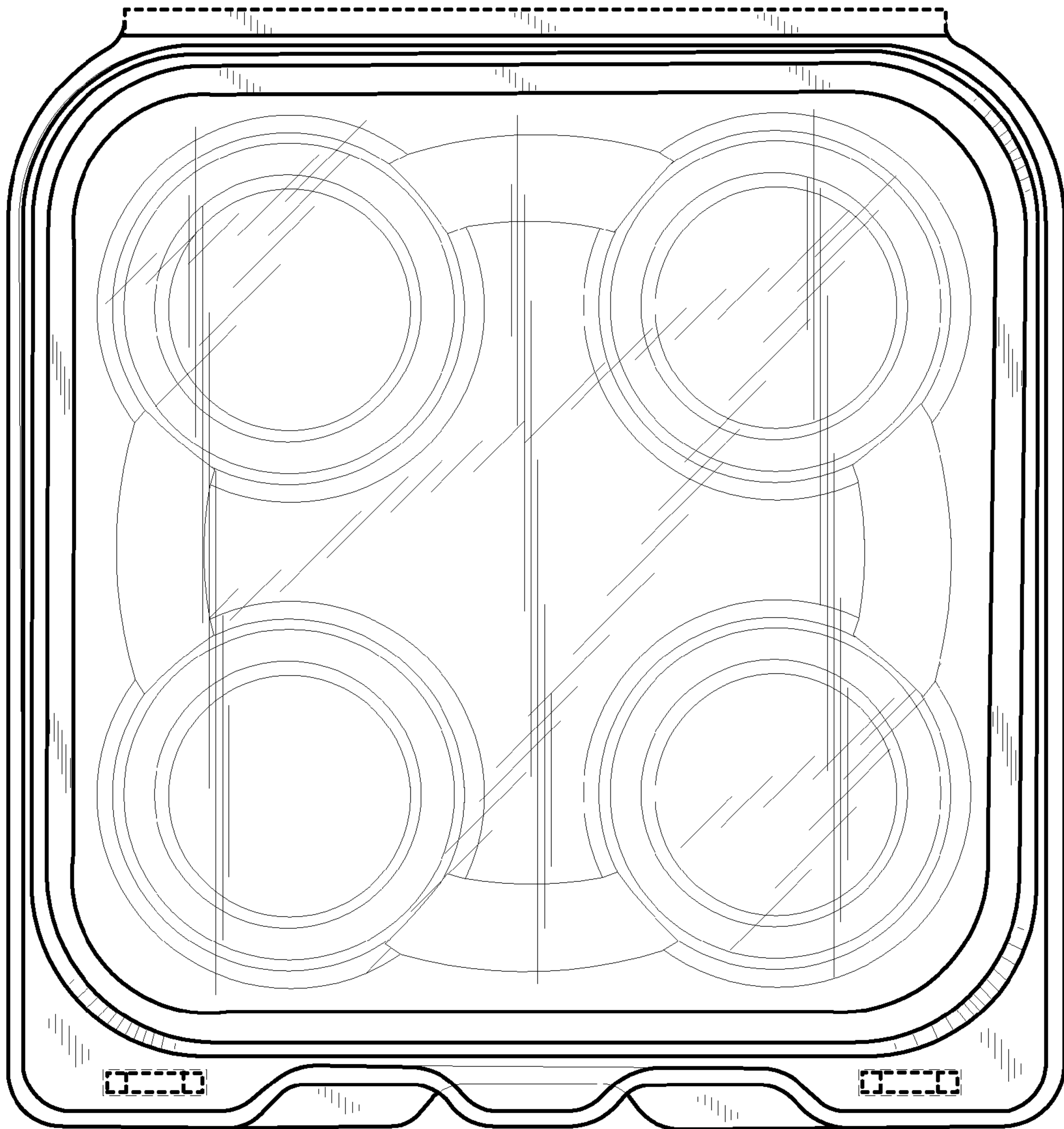


FIG. 6

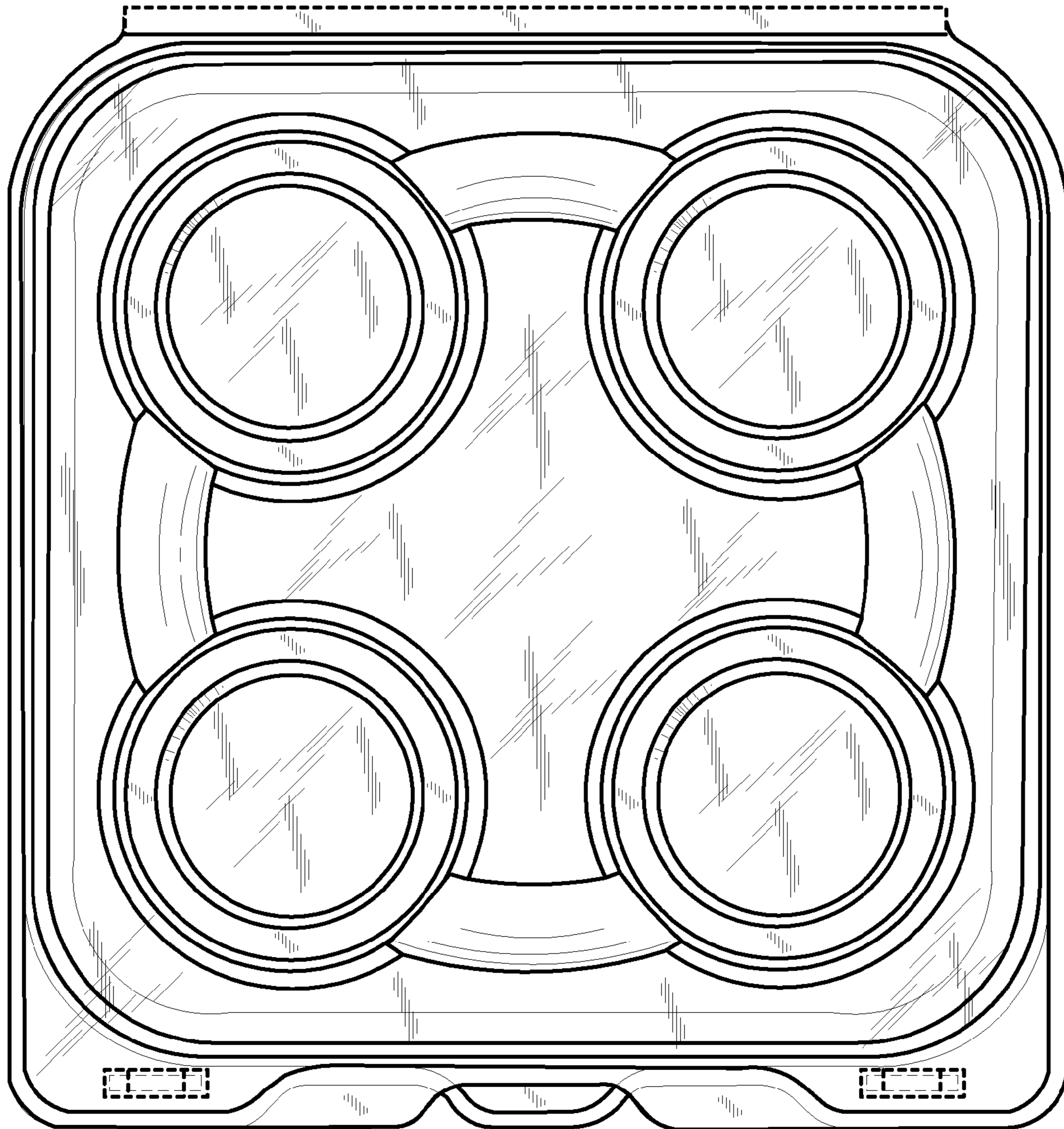


FIG. 7