



US00D578387S

(12) **United States Design Patent**  
**Lovett**

(10) **Patent No.:** **US D578,387 S**

(45) **Date of Patent:** **\*\* Oct. 14, 2008**

(54) **CONTAINER**

(75) Inventor: **James Kyle Lovett**, Atlanta, GA (US)

(73) Assignee: **InnoWare Plastic, Inc.**, Atlanta, GA (US)

(\*\*) Term: **14 Years**

(21) Appl. No.: **29/282,368**

(22) Filed: **Jul. 18, 2007**

(51) **LOC (8) Cl.** ..... **09-03**

(52) **U.S. Cl.** ..... **D9/425; D9/737**

(58) **Field of Classification Search** ..... D9/414-424,  
D9/426, 428, 430-435, 450, 456, 503, 523-525,  
D9/715, 719, 737, 761; D3/203.1-203.4,  
D3/206, 270, 294; D19/51, 84-85; D30/101;  
220/253, 254.2, 326, 507, 825, 835, 263,  
220/266, 787; 206/497, 533-534, 538, 583,  
206/783, 515; 229/120.12, 123.2-123.3,  
229/125.13-125.14; D7/360, 538-540, 587,  
D7/391, 543, 500, 629, 602

See application file for complete search history.

(56) **References Cited**

**U.S. PATENT DOCUMENTS**

- 3,079,913 A \* 3/1963 Nelson ..... 126/390.1
- 3,595,425 A \* 7/1971 Eicholtz et al. .... 220/556
- D224,206 S \* 7/1972 Cyr ..... D9/761
- D235,499 S \* 6/1975 Day ..... D7/553.3
- D236,692 S \* 9/1975 Haase ..... D9/761
- D262,866 S \* 2/1982 Commisso ..... D9/761
- D268,645 S \* 4/1983 Phillips et al. .... D9/761
- D269,854 S \* 7/1983 Commisso ..... D9/761
- D283,666 S \* 5/1986 Holzkopf ..... D7/553.2

- 5,094,355 A \* 3/1992 Clark et al. .... 220/4.23
- D395,985 S \* 7/1998 Krupa et al. .... D7/629
- D427,525 S \* 7/2000 Hayes et al. .... D9/431
- D489,579 S \* 5/2004 Wright ..... D7/629
- D494,857 S \* 8/2004 Chen et al. .... D9/759
- D504,813 S \* 5/2005 Chou ..... D9/425
- D517,427 S \* 3/2006 Ramirez et al. .... D9/737
- D524,646 S \* 7/2006 Hellenbrand et al. .... D9/429
- D538,102 S \* 3/2007 Dege et al. .... D7/392.1
- D539,666 S \* 4/2007 Chou ..... D9/737
- D554,531 S \* 11/2007 Lovett ..... D9/737

\* cited by examiner

*Primary Examiner*—Robert M. Spear

*Assistant Examiner*—Susan E Krakower

(74) *Attorney, Agent, or Firm*—Baker Donelson Bearman  
Caldwell & Berkowitz PC

(57) **CLAIM**

The ornamental design for a container, as shown and described.

**DESCRIPTION**

FIG. 1 is a perspective view of a container having a base and a lid attached showing my new design;

FIG. 2 is a top view thereof;

FIG. 3 is a bottom view thereof;

FIG. 4 is a left side view thereof, the right side being a mirror image thereof;

FIG. 5 is a front view thereof;

FIG. 6 is a rear view thereof;

FIG. 7 is an interior view of the lid of my new container; and,

FIG. 8 is an interior view of the base of my new container.

**1 Claim, 4 Drawing Sheets**

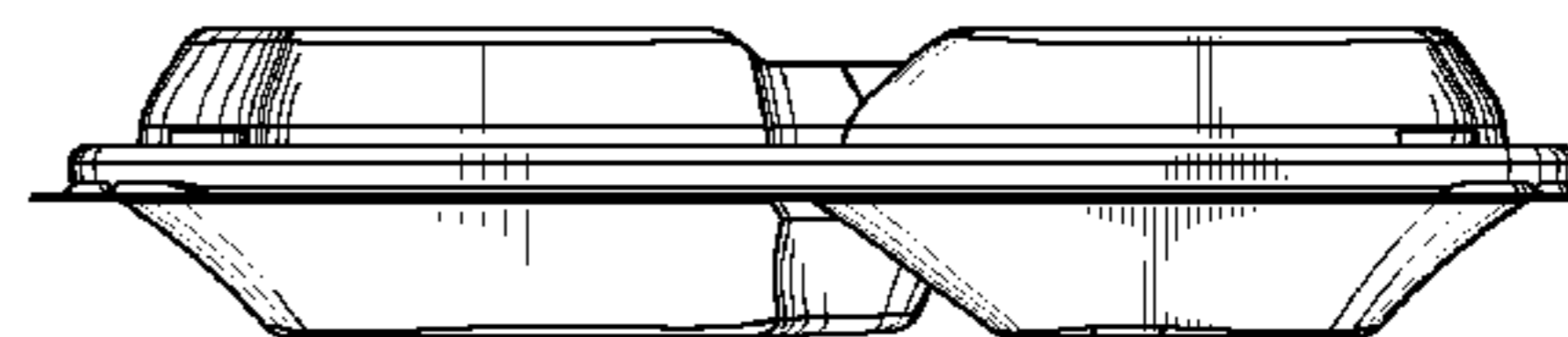
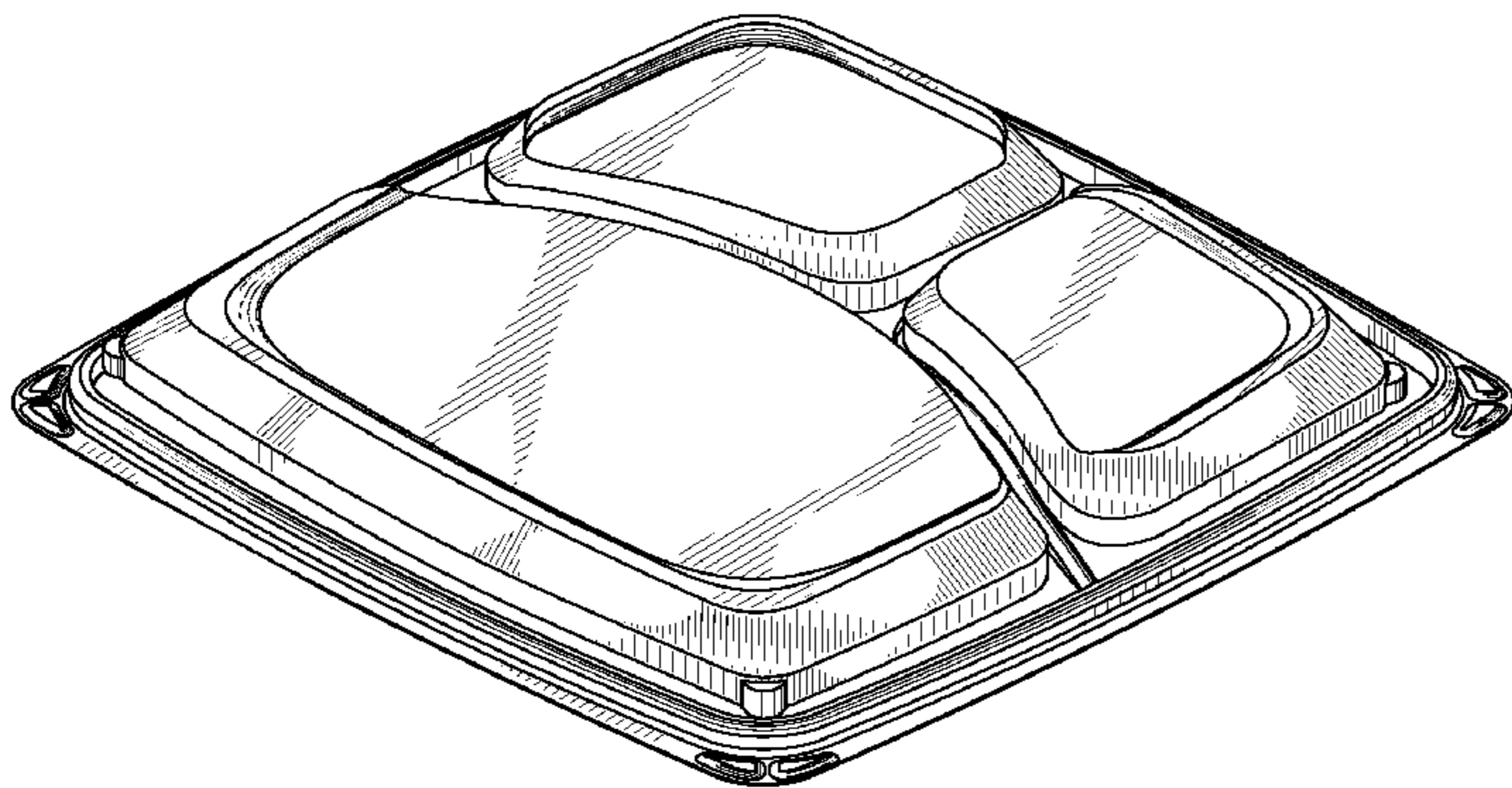


Fig. 1

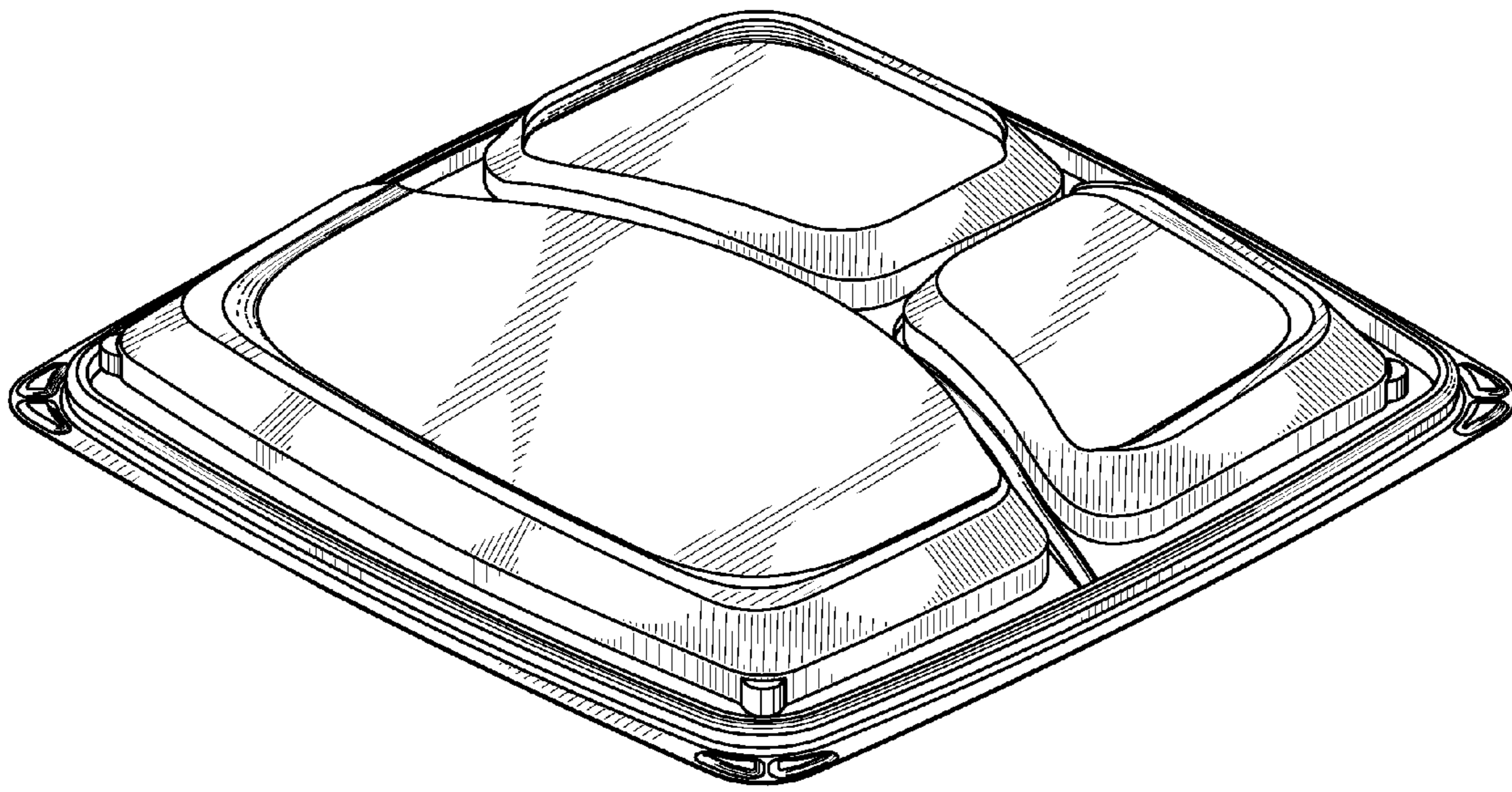


Fig. 2

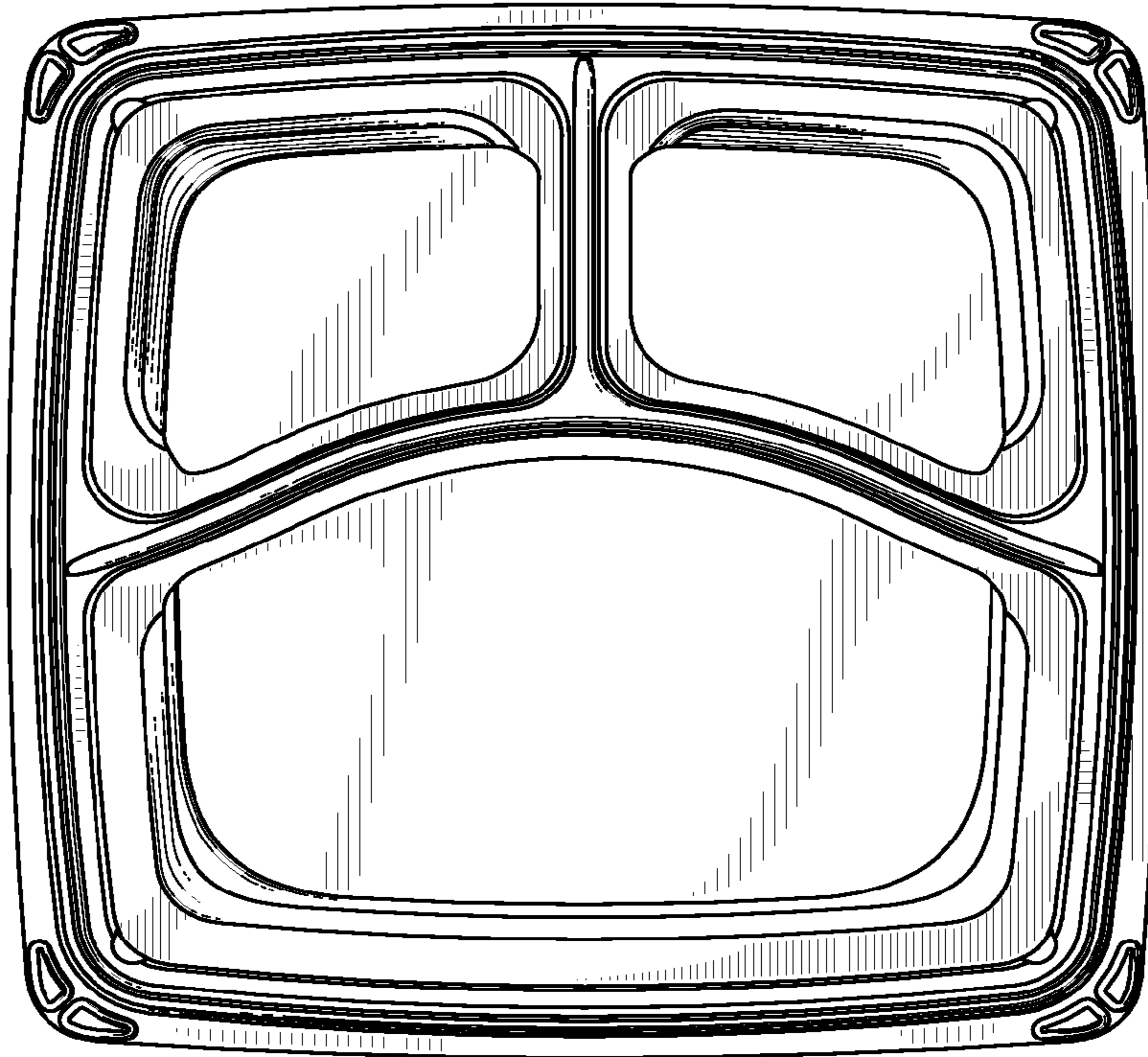


Fig. 3

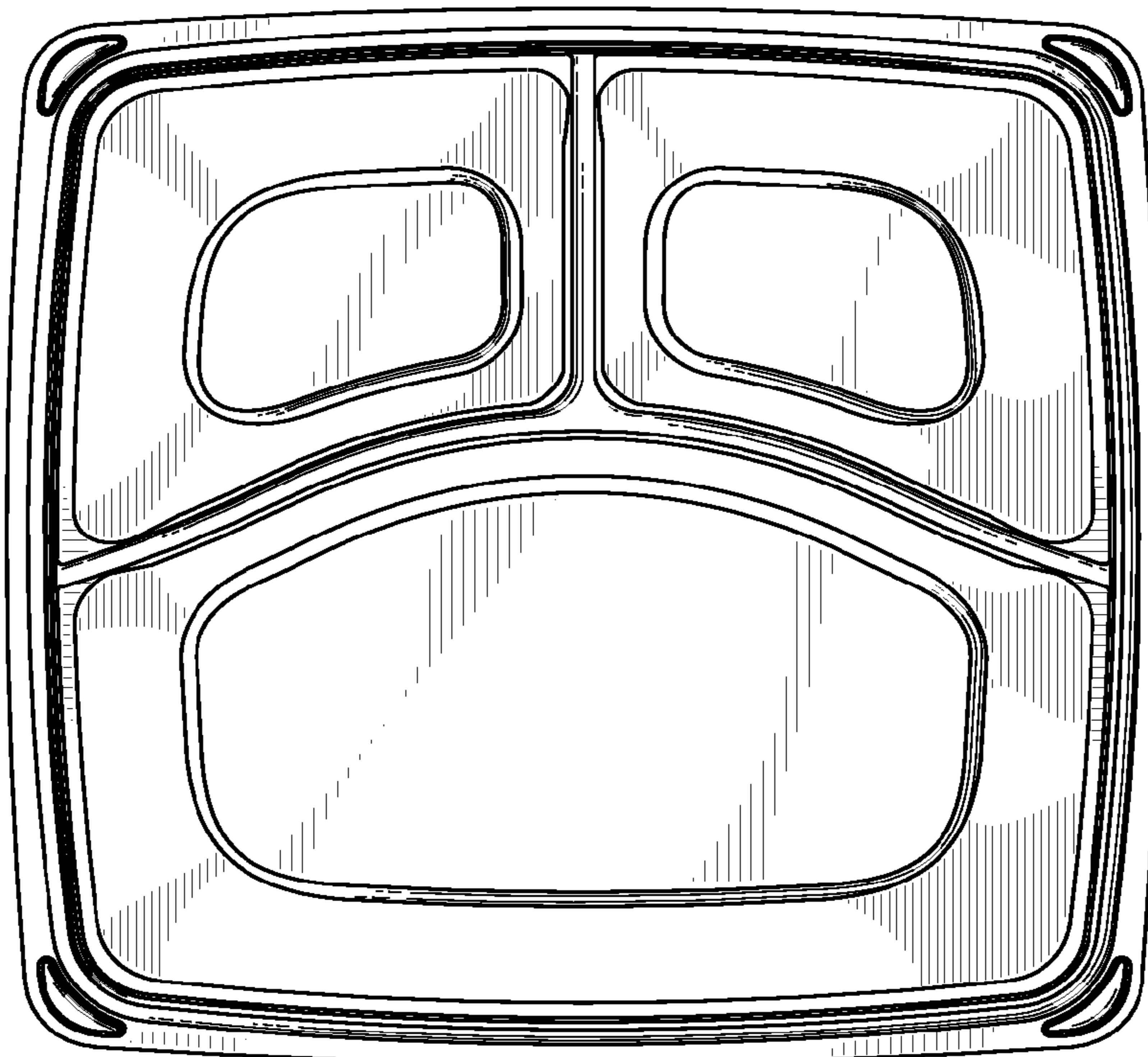


Fig. 4

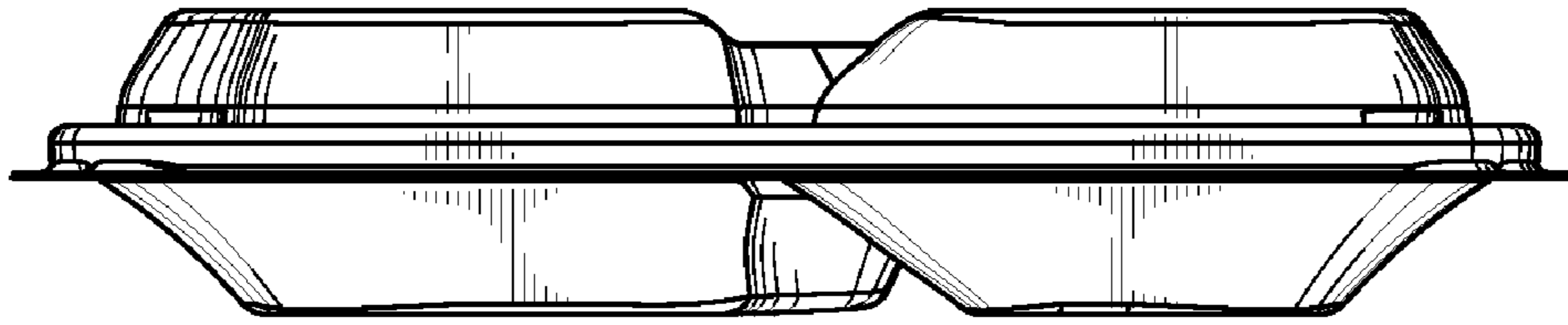


Fig. 5

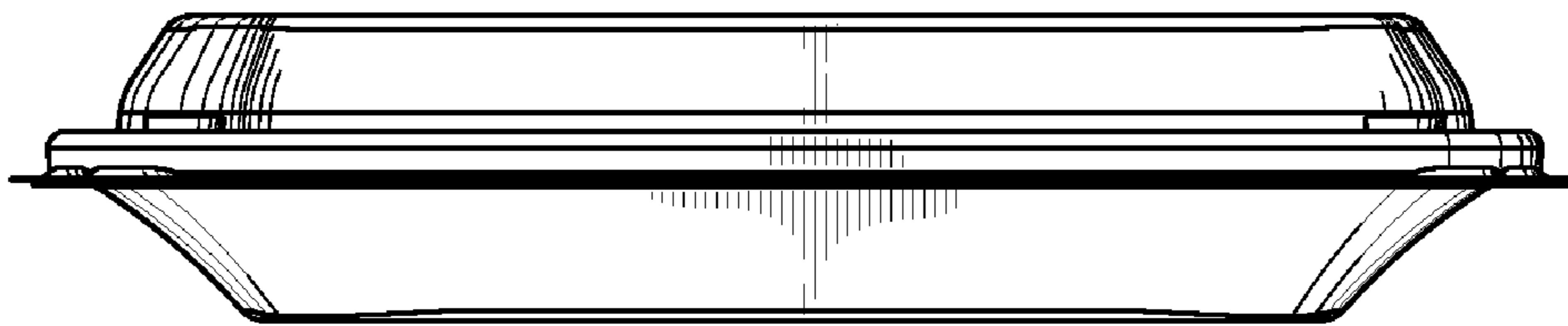


Fig. 6

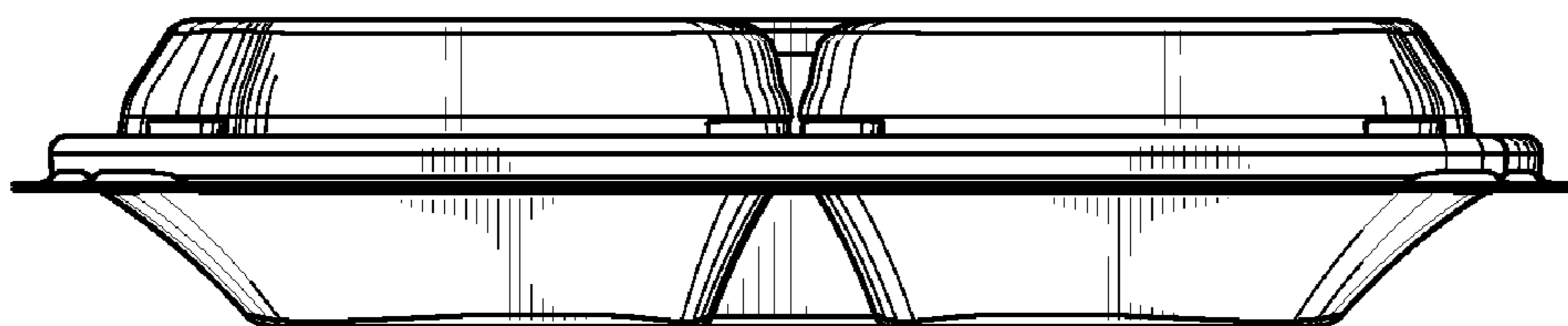


Fig. 7

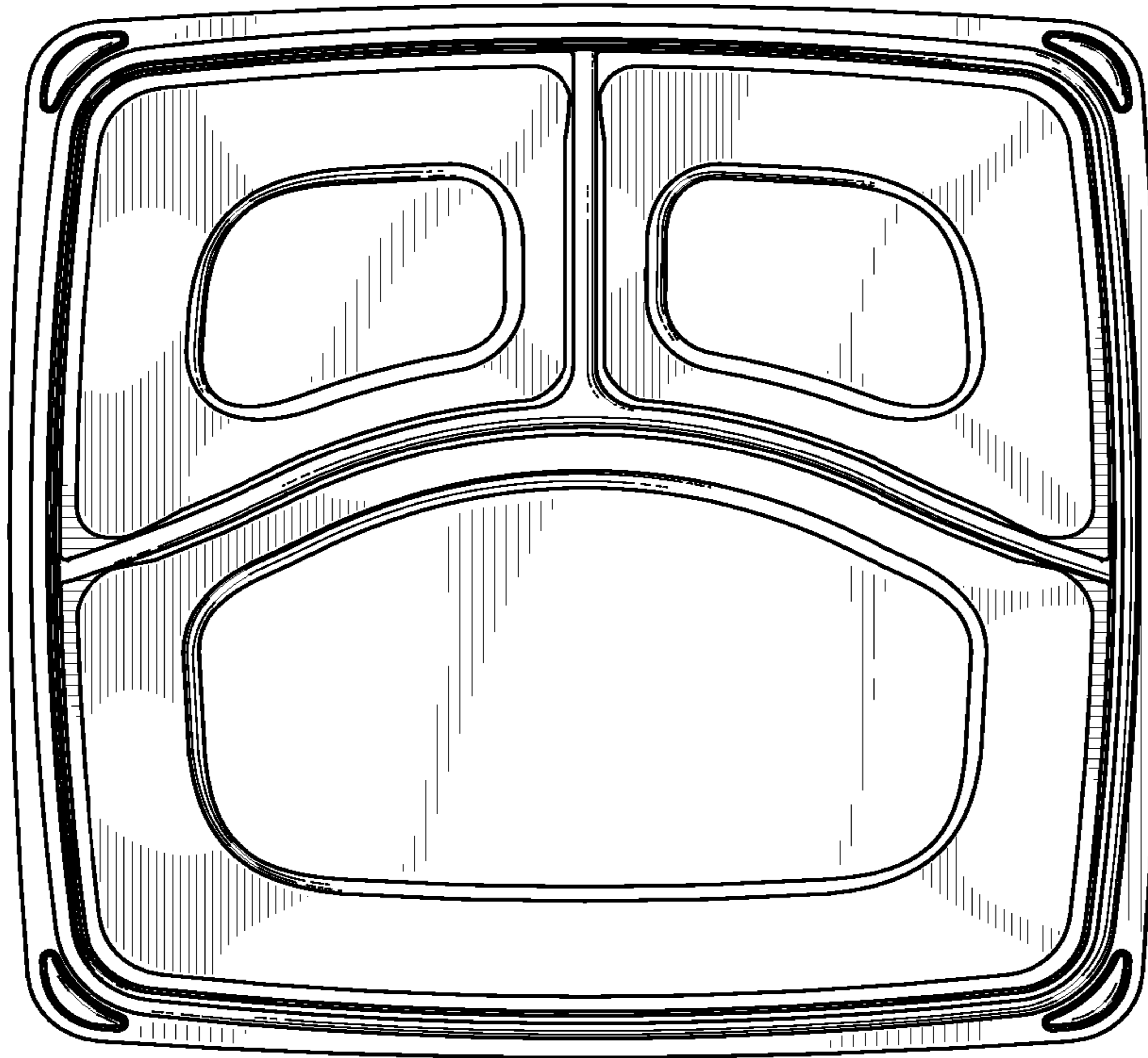


Fig. 8

