



US00D578385S

(12) **United States Design Patent**
Ancona

(10) **Patent No.:** **US D578,385 S**

(45) **Date of Patent:** **** Oct. 14, 2008**

(54) **PACKAGE**

(75) Inventor: **Teresa Ancona**, Nyon (CH)

(73) Assignee: **Philip Morris USA Inc.**, Richmond, VA (US)

(**) Term: **14 Years**

(21) Appl. No.: **29/274,036**

(22) Filed: **Mar. 22, 2007**

(30) **Foreign Application Priority Data**

Sep. 26, 2006 (EM) 000595731-0001
Sep. 26, 2006 (EM) 000595731-0002

(51) **LOC (8) Cl.** **09-03**

(52) **U.S. Cl.** **D9/423**

(58) **Field of Classification Search** D9/420,
D9/423, 425, 432; 206/242, 245, 265, 266,
206/268, 271, 273; 229/101, 125.21, 125.37,
229/145, 212, 225, 160.1; D27/186, 189

See application file for complete search history.

(56) **References Cited**

U.S. PATENT DOCUMENTS

5,143,282 A * 9/1992 Pham 229/160.1
D421,151 S * 2/2000 Luton et al. D27/189
6,199,688 B1 * 3/2001 Focke 206/268
D454,410 S * 3/2002 Draghetti D27/189
6,474,469 B1 * 11/2002 Luton et al. 206/268
D479,357 S * 9/2003 Focke et al. D27/189
D492,814 S * 7/2004 Bray et al. D27/189

D541,978 S * 5/2007 Counts et al. D27/189
D545,493 S * 6/2007 Carter et al. D27/189
2003/0034255 A1 * 2/2003 Luton et al. 206/268

* cited by examiner

Primary Examiner—Daniel Bui

Assistant Examiner—Thomas J Johannes

(74) *Attorney, Agent, or Firm*—Buchanan, Ingersoll & Rooney, PC

(57) **CLAIM**

The ornamental design for a package, as shown and described.

DESCRIPTION

FIG. 1 is a top, front perspective view of a first embodiment of a package showing my new design in a closed position.

FIG. 2 is a top, front perspective view thereof, in an open position.

FIG. 3 is a front elevational view thereof.

FIG. 4 is a rear elevational view thereof.

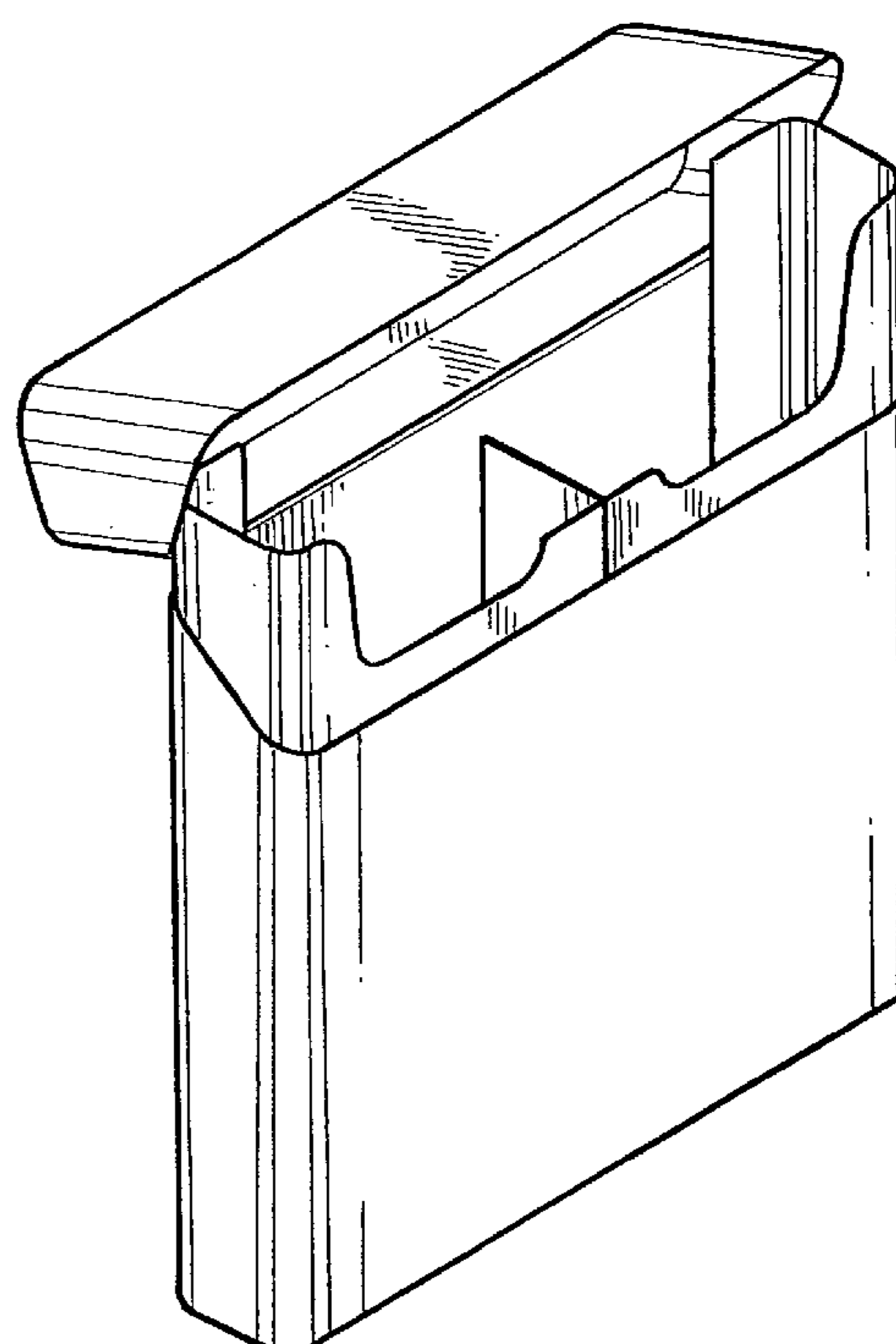
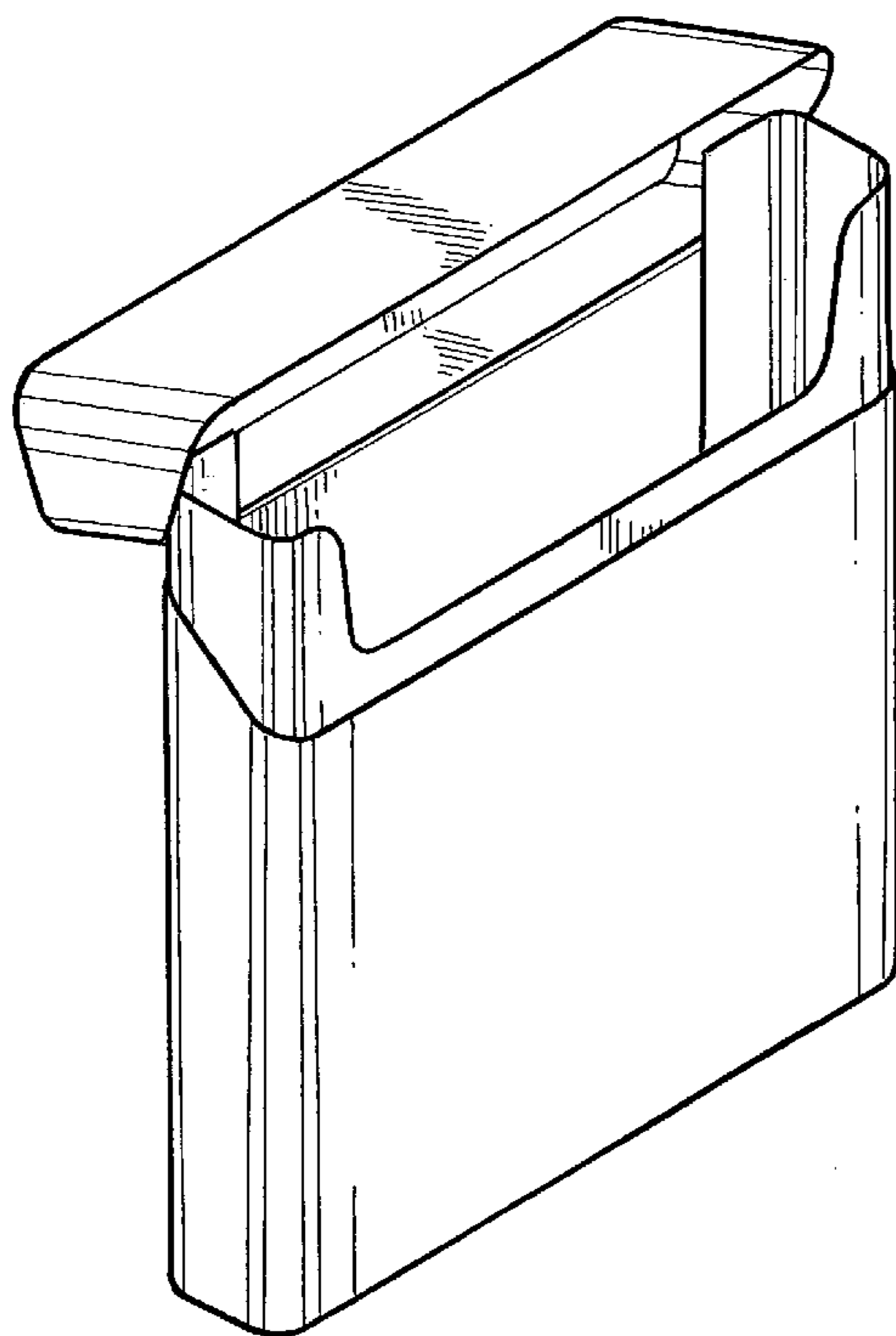
FIG. 5 is a right side elevational view thereof.

FIG. 6 is a left side elevational view thereof.

FIG. 7 is a top plan view thereof, the bottom being a mirror image thereof; and,

FIG. 8 is a top, front perspective view of a second embodiment showing a further embodiment thereof in an open position, the remaining views being identical to FIGS. 1, and 3 through 7.

1 Claim, 6 Drawing Sheets



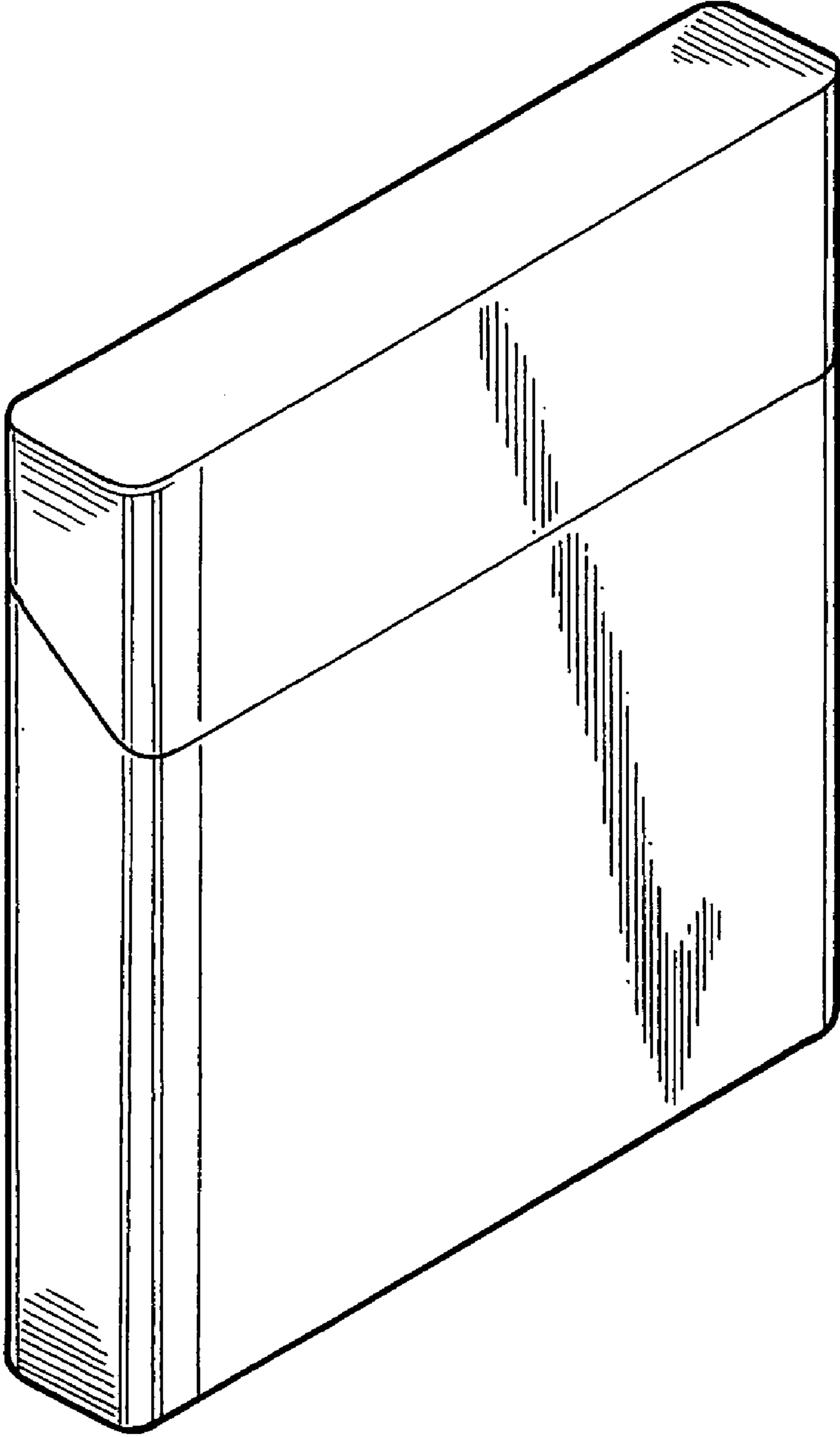


Fig. 1

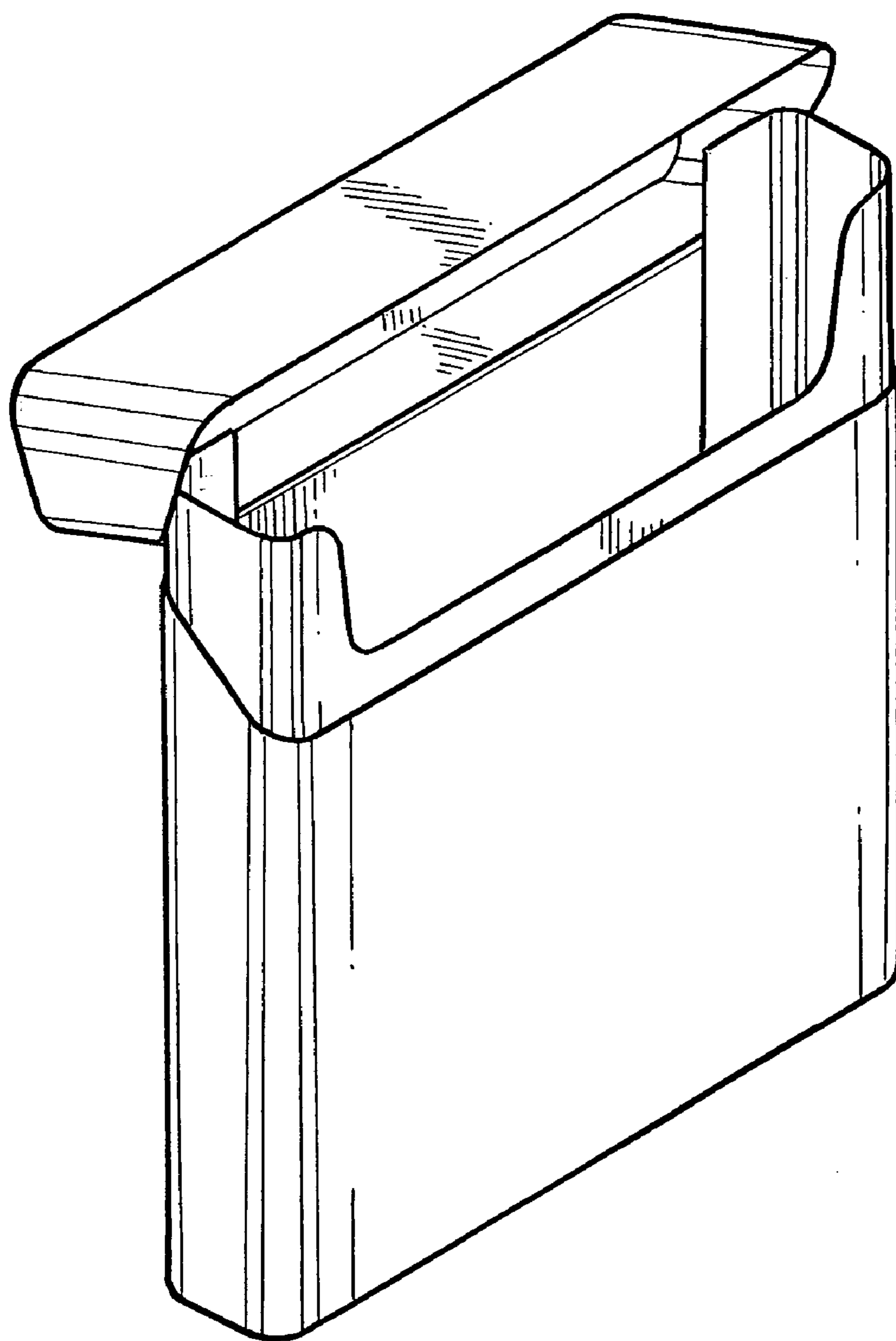


Fig. 2

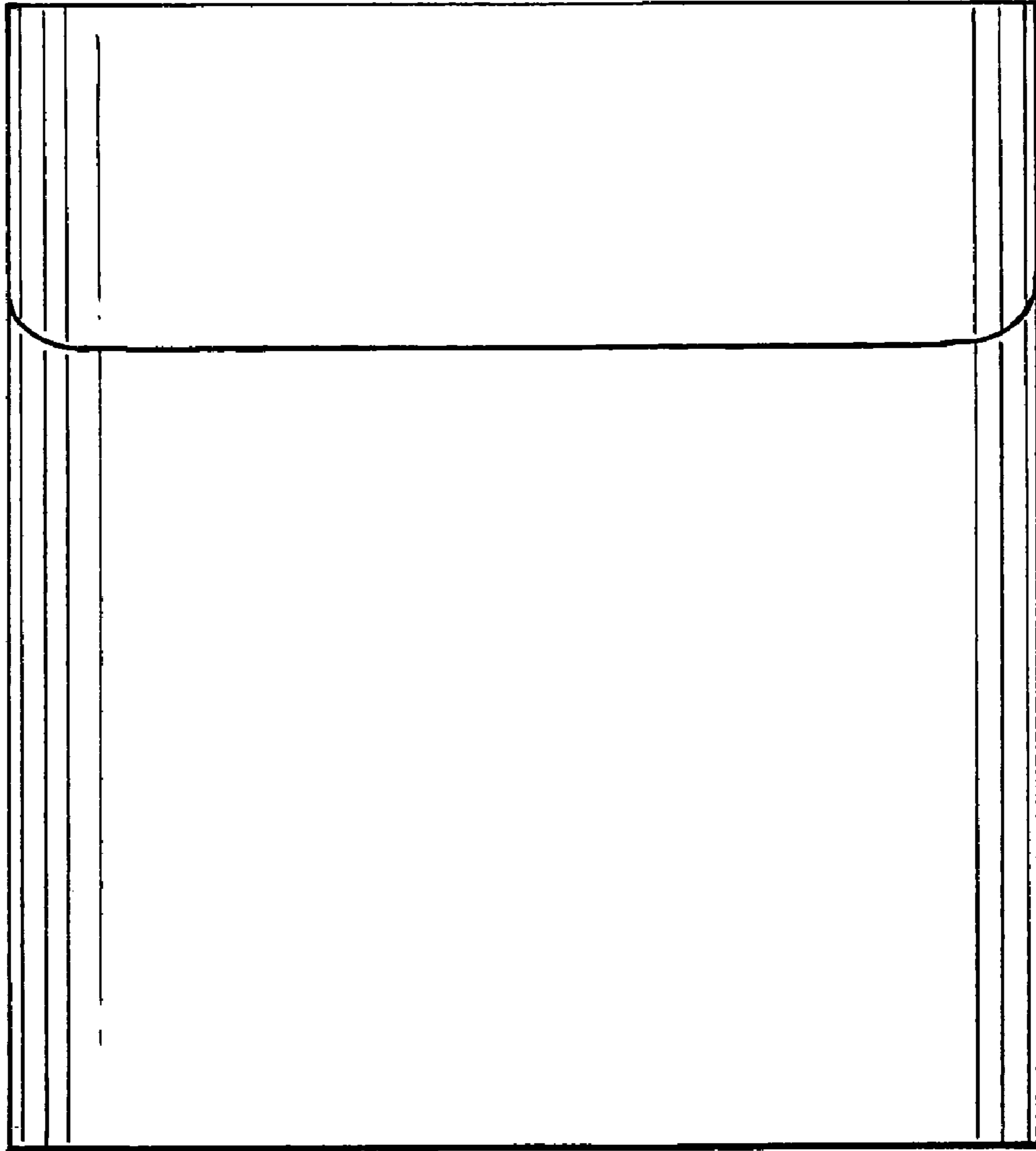


Fig. 3

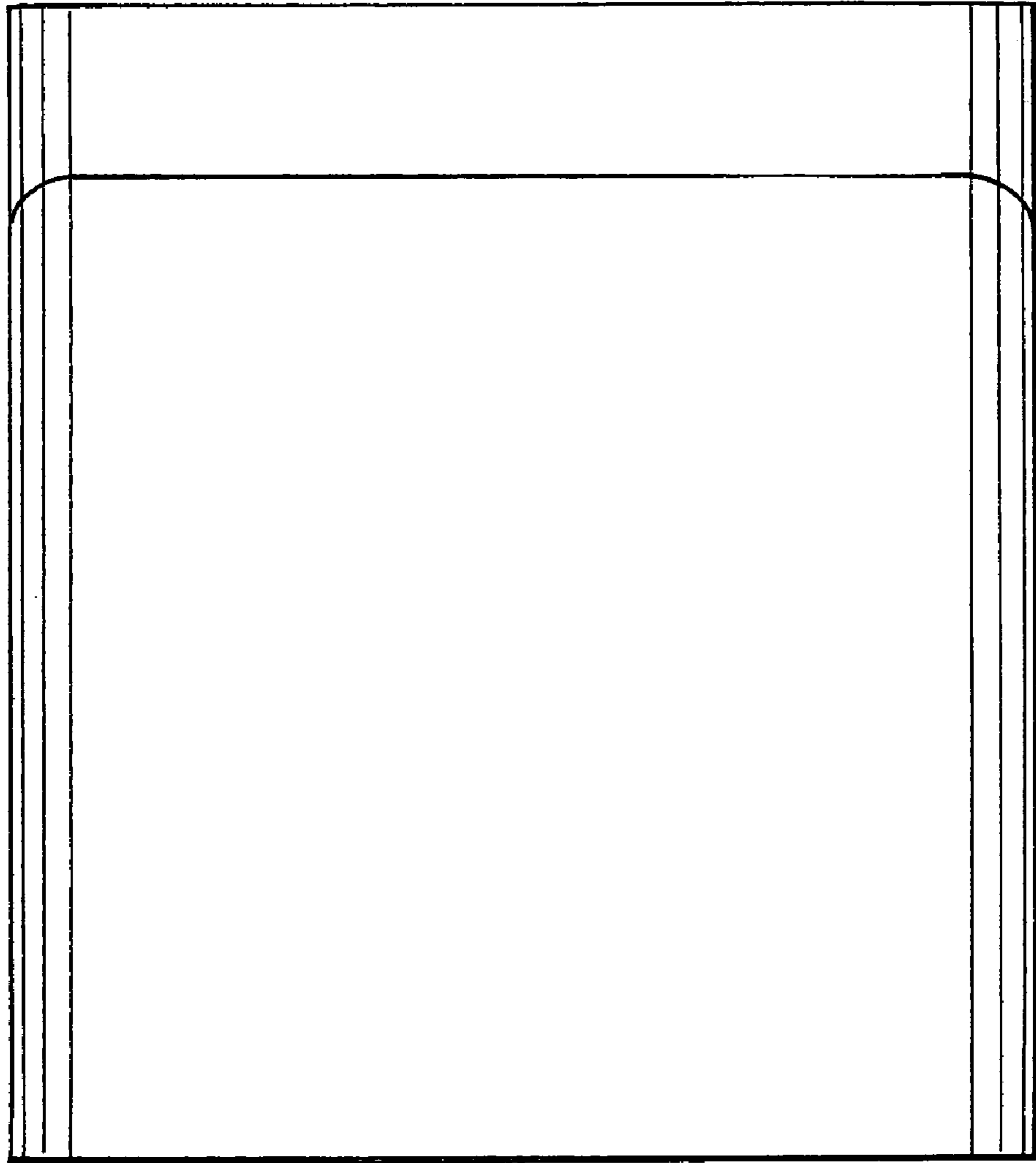


Fig. 4

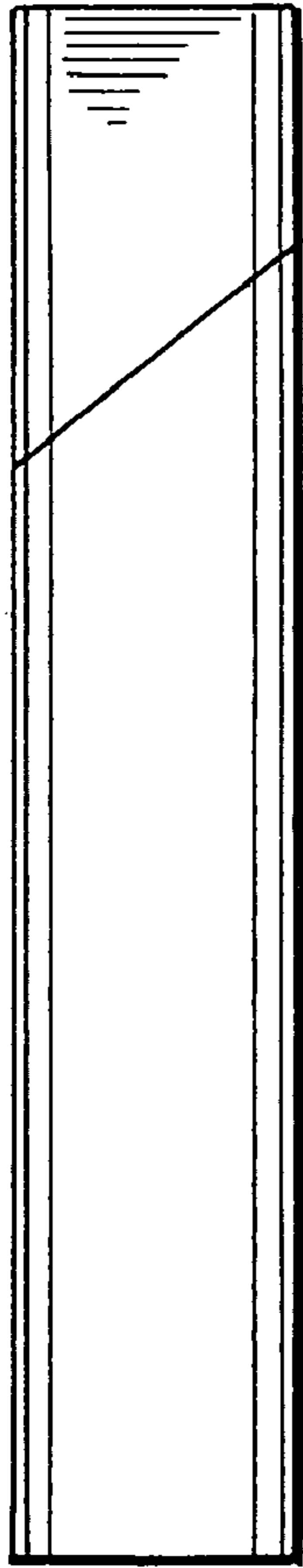


Fig. 5

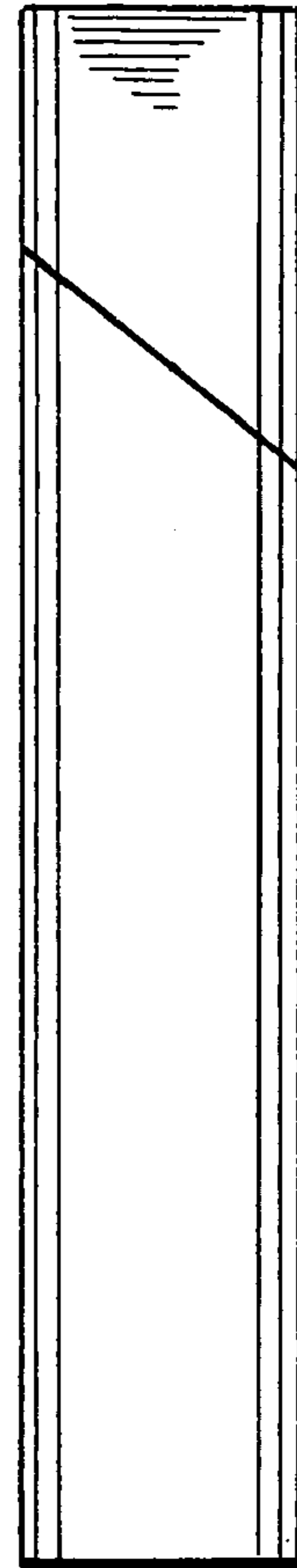


Fig. 6



Fig. 7

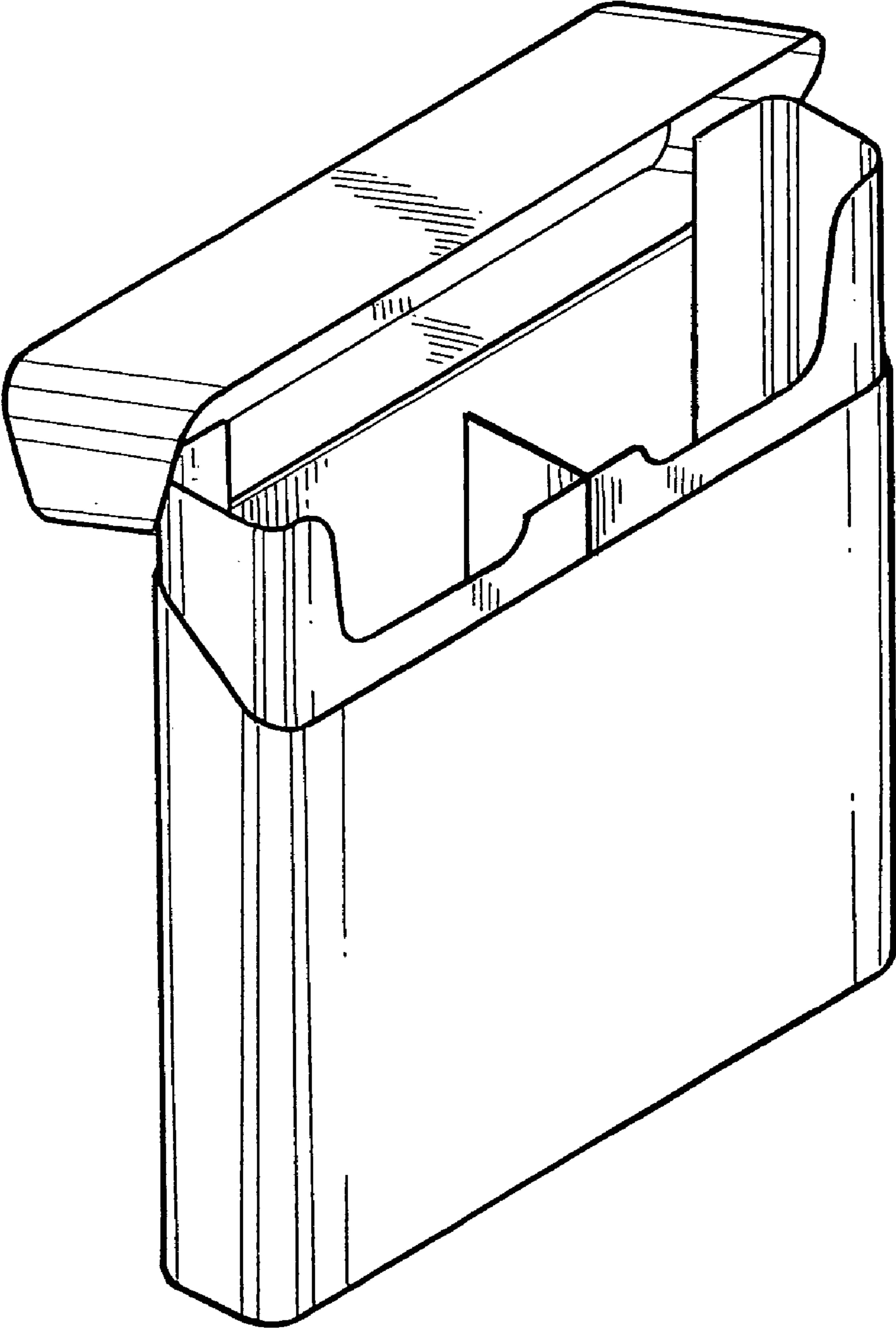


Fig. 8