



US00D578381S

(12) **United States Design Patent**
Wolff

(10) **Patent No.:** **US D578,381 S**

(45) **Date of Patent:** **** Oct. 14, 2008**

(54) **CLIP**

(76) **Inventor:** **Stephen H. Wolff**, Wolff Medical Marketing and Design, LLC, 110 E. 42nd St., Suite 1418, New York, NY (US) 10017

(**) **Term:** **14 Years**

(21) **Appl. No.:** **29/291,380**

(22) **Filed:** **Aug. 27, 2007**

(51) **LOC (8) Cl.** **08-08**

(52) **U.S. Cl.** **D8/395**

(58) **Field of Classification Search** D8/394-396, D8/72; D19/56, 65; 24/67.3; D32/60-64
See application file for complete search history.

(56) **References Cited**

U.S. PATENT DOCUMENTS

D364,188 S *	11/1995	Wolff	D19/65
D408,452 S *	4/1999	Coe	D19/65
D432,906 S *	10/2000	Stoddard	D8/395
D477,213 S *	7/2003	Jones et al.	D8/395
6,619,479 B2 *	9/2003	Jones et al.	206/554
6,681,452 B1 *	1/2004	Holland	24/67.3
D497,186 S *	10/2004	Cetera	D19/88
D513,173 S *	12/2005	Wolff	D8/395

* cited by examiner

Primary Examiner—Robert M. Spear

Assistant Examiner—John Windmuller

(74) *Attorney, Agent, or Firm*—Lerner, David, Littenberg, Krumholz & Mentlik, LLP

(57) **CLAIM**

The ornamental design for a clip, as shown and described.

DESCRIPTION

FIG. 1 is a perspective view of a clip showing my new design;

FIG. 2 is a front elevation view thereof;

FIG. 3 is a top plan view thereof;

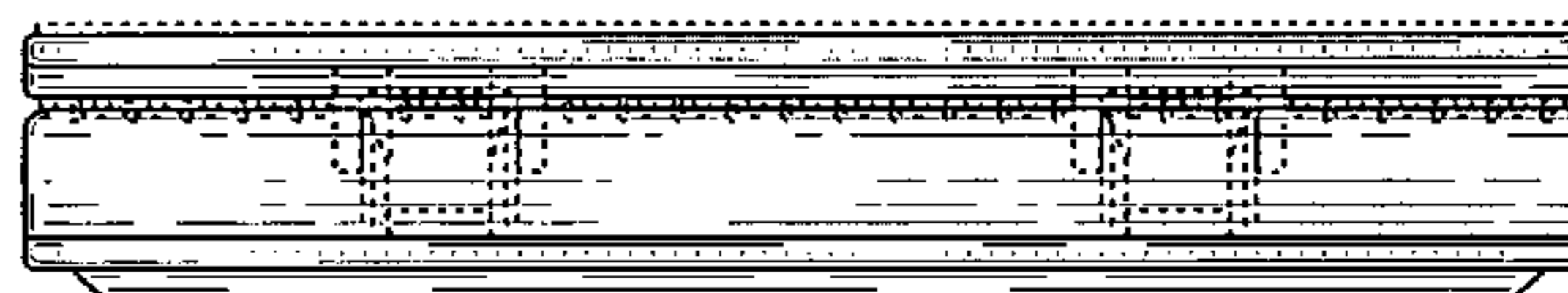
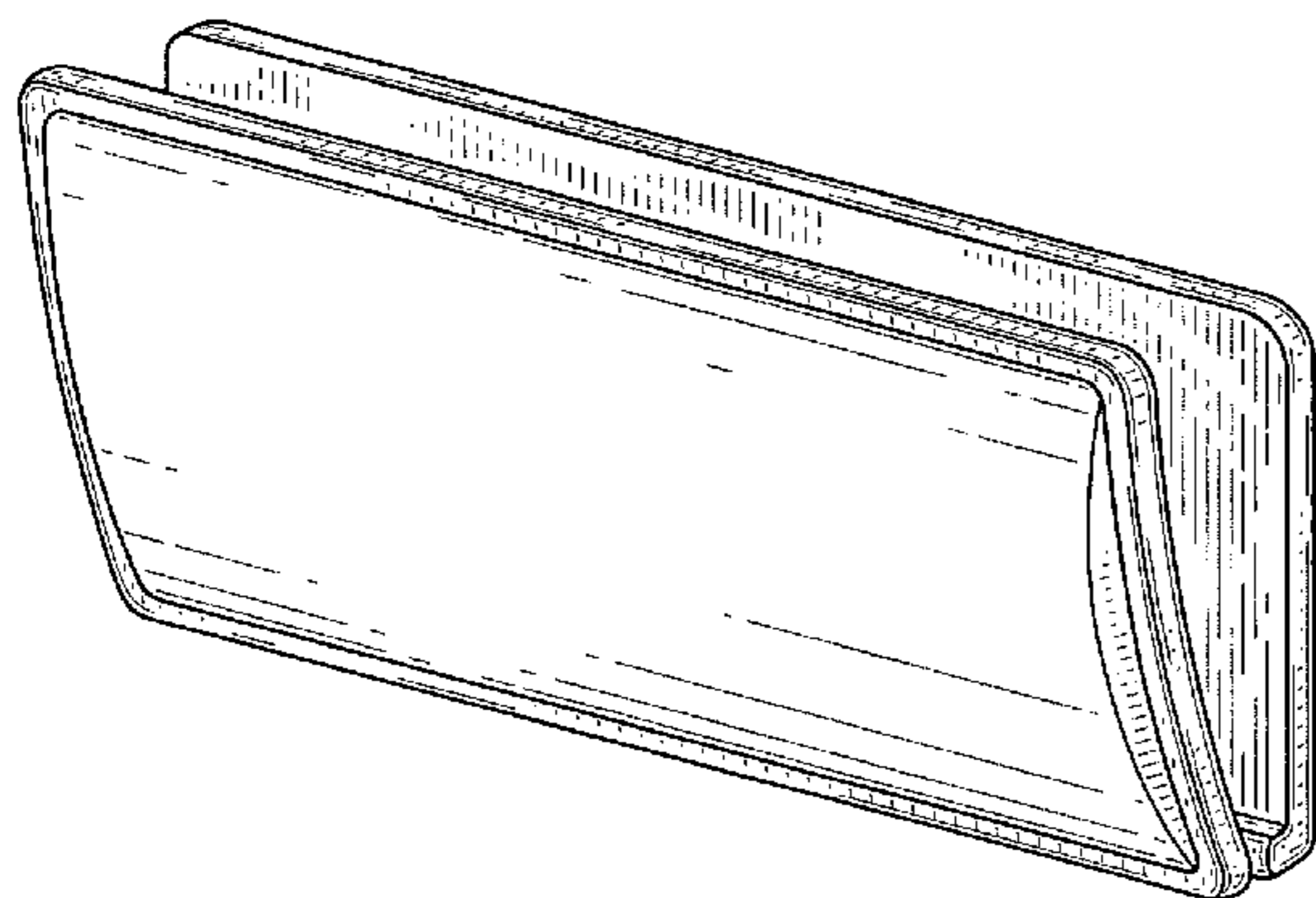
FIG. 4 is a bottom plan view thereof;

FIG. 5 is a right side elevation view thereof, the left side elevation view being a mirror image thereof; and,

FIG. 6 is a perspective view thereof, shown in use.

The bags attached to the clip, shown in phantom line, in FIG. 6 are shown for illustrative purposes only and form no part of the claimed design. The mechanisms of the clip, shown in phantom line, which provide mechanical motion, particularly as seen in FIGS. 3 and 5, are shown for illustrative purposes only and form no part of the claimed invention. The back of the clip, and the magnet, shown in phantom line, forms no part of the claimed design.

1 Claim, 3 Drawing Sheets



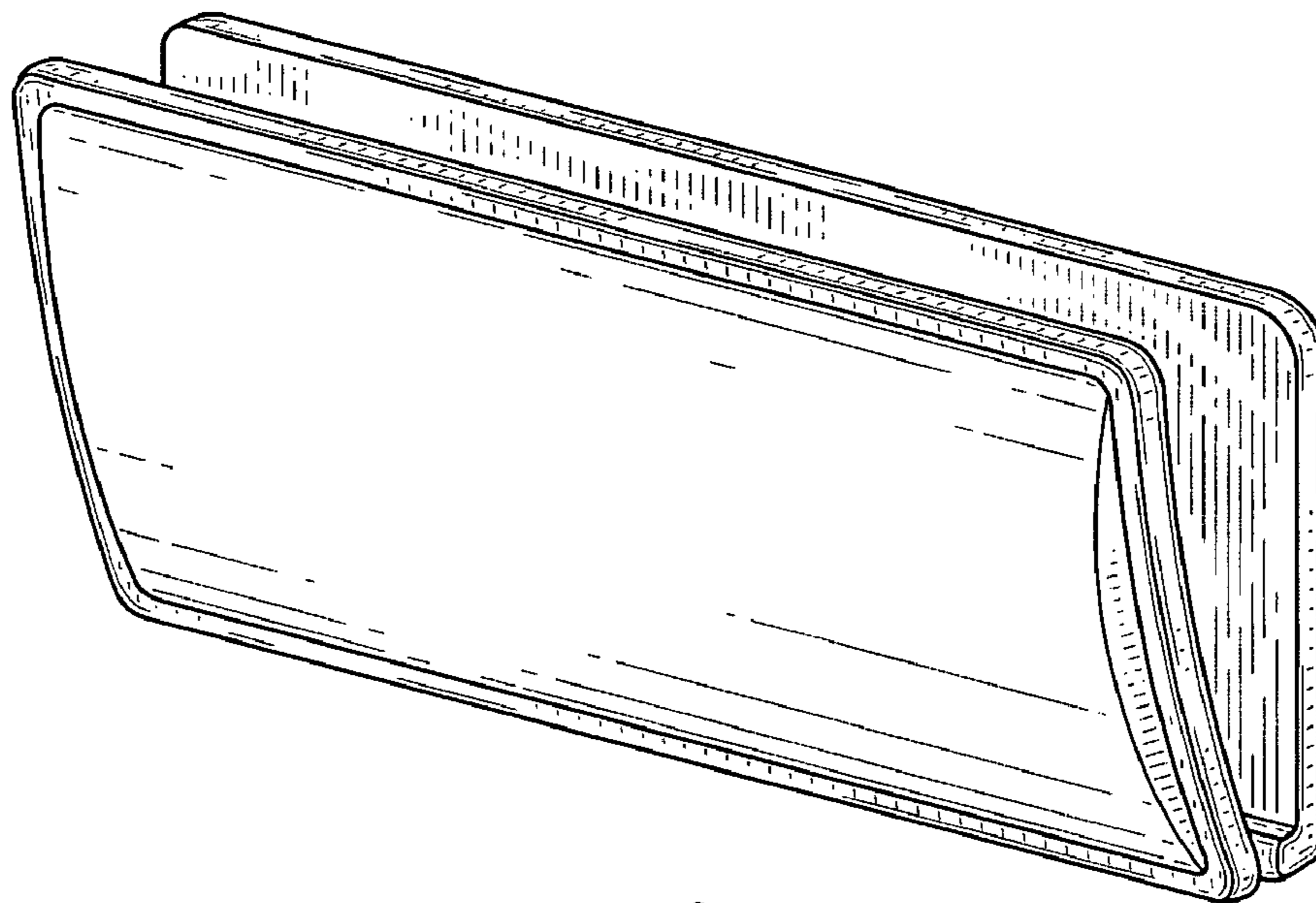


FIG. 1

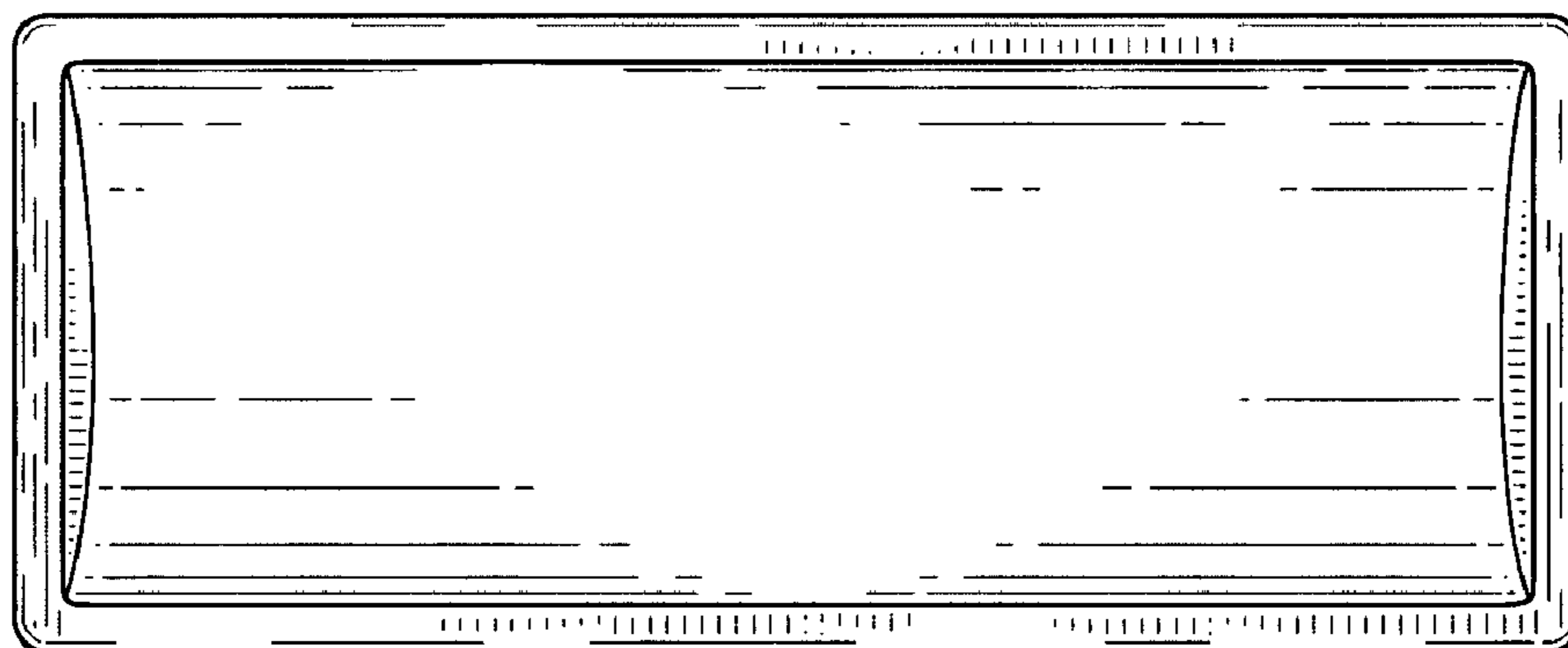


FIG. 2

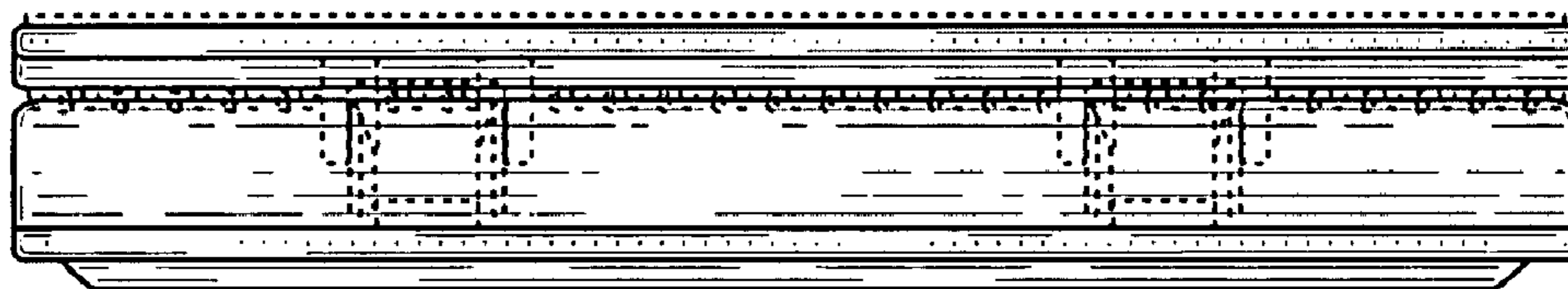


FIG. 3

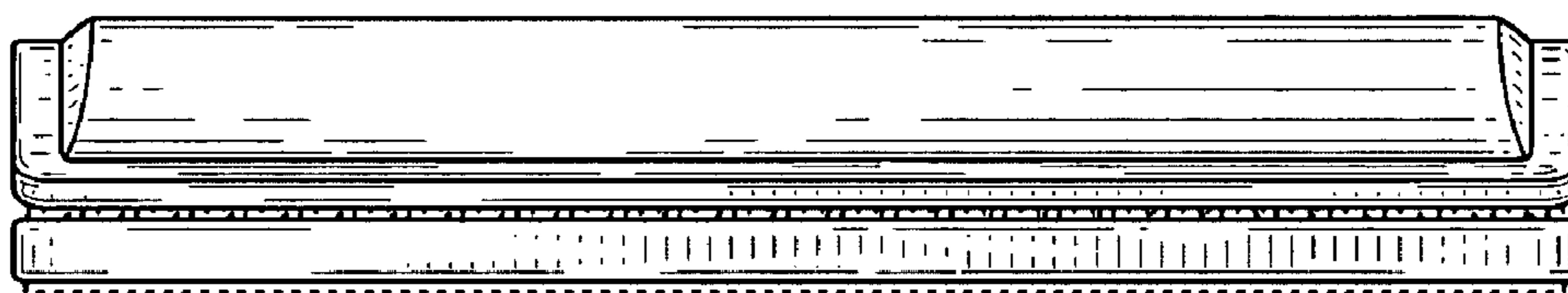


FIG. 4

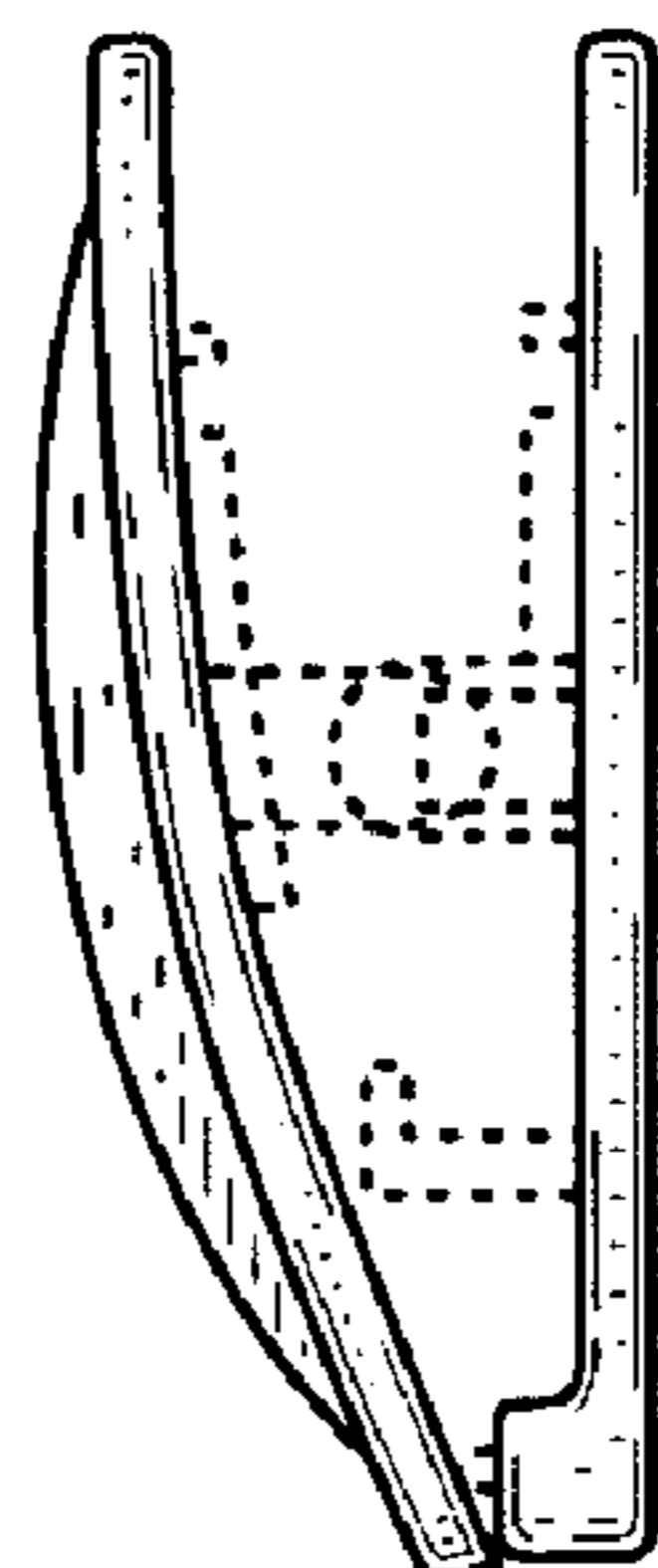


FIG. 5

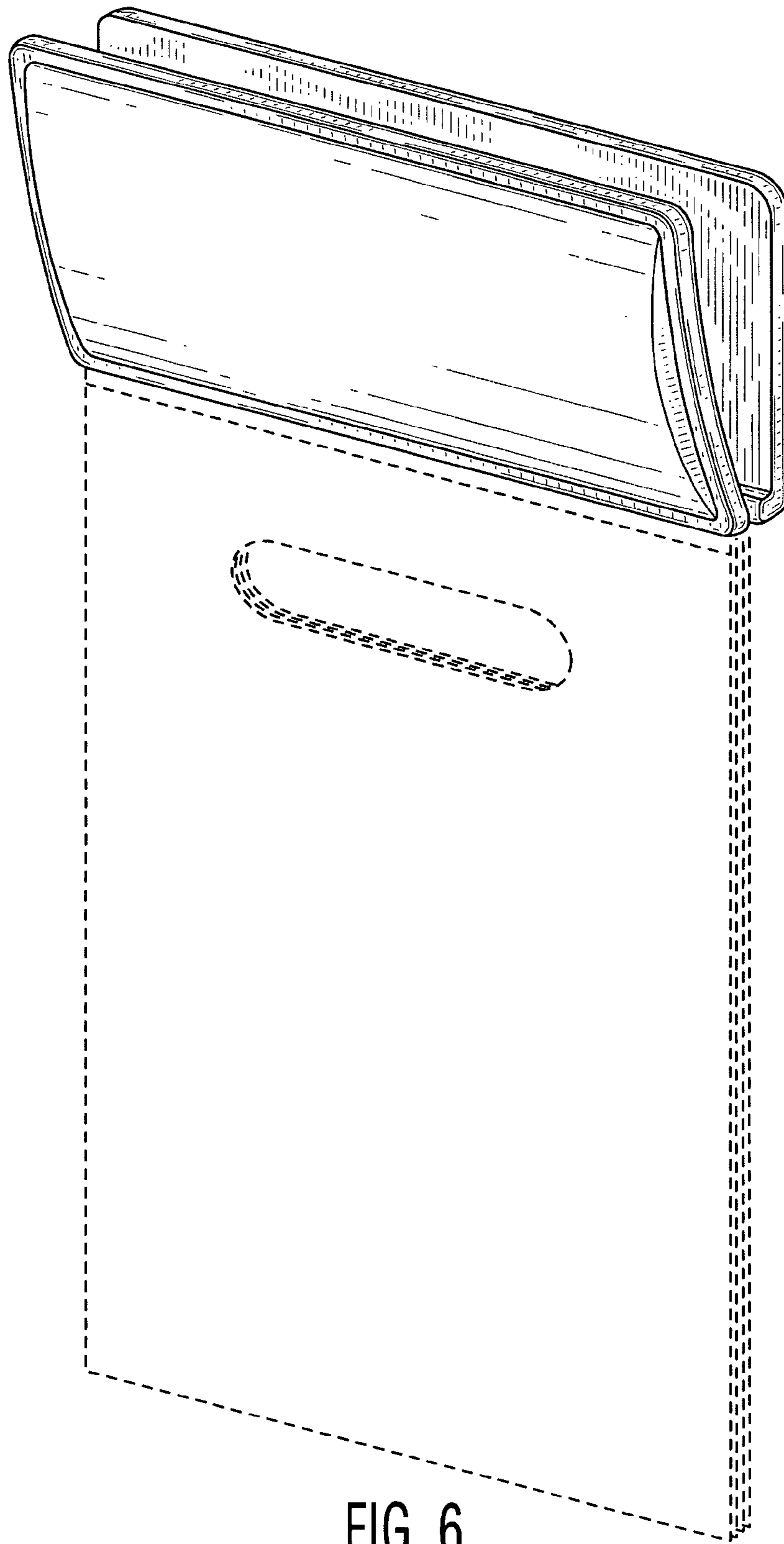


FIG. 6