



US00D578379S

(12) **United States Design Patent**  
**Sorkin**

(10) **Patent No.:** **US D578,379 S**  
(45) **Date of Patent:** **\*\* Oct. 14, 2008**

(54) **PAVING CHAIR**

(76) Inventor: **Felix L. Sorkin**, 13022 Trinity Dr.,  
Stafford, TX (US) 77477

(\*\*) Term: **14 Years**

(21) Appl. No.: **29/318,749**

(22) Filed: **May 27, 2008**

(51) **LOC (8) Cl.** ..... **08-05**

(52) **U.S. Cl.** ..... **D8/354**

(58) **Field of Classification Search** ..... D8/349,  
D8/354, 356, 382, 388; D25/133, 199; 52/677-679,  
52/682, 684-689; 404/134-136

See application file for complete search history.

(56) **References Cited**

**U.S. PATENT DOCUMENTS**

3,387,423	A *	6/1968	Andersen	.....	52/678
3,693,310	A *	9/1972	Middleton	.....	52/685
D240,708	S *	7/1976	Ilukowicz	.....	D25/199
4,060,954	A *	12/1977	Liuzza	.....	52/677
D271,846	S *	12/1983	Hernandez	.....	D8/356
D271,847	S *	12/1983	Hernandez	.....	D8/356
4,498,270	A *	2/1985	Ilukowicz	.....	52/685
D279,352	S *	6/1985	Mitchell et al.	.....	D8/354
4,682,461	A *	7/1987	Sizemore	.....	52/689
4,835,933	A *	6/1989	Yung	.....	52/685
D324,643	S *	3/1992	Turek et al.	.....	D8/356
5,107,654	A *	4/1992	Leonardis	.....	52/685

D334,133	S *	3/1993	Hartzheim	.....	D8/354
5,729,949	A *	3/1998	Hartzheim	.....	52/677
D394,200	S *	5/1998	Hartzheim	.....	D8/354
D421,709	S *	3/2000	Haslem et al.	.....	D8/354
D480,291	S *	10/2003	Sorkin	.....	D8/354
D482,262	S *	11/2003	Sorkin	.....	D8/354
D491,443	S *	6/2004	Lowery	.....	D8/354
D500,243	S *	12/2004	Turek	.....	D8/354
2004/0098942	A1 *	5/2004	Lee et al.	.....	52/686

\* cited by examiner

*Primary Examiner*—Holly H Baynham

*Assistant Examiner*—Cynthia M Chin

(74) *Attorney, Agent, or Firm*—Egbert Law Offices

(57) **CLAIM**

The ornamental design for a paving chair, as shown and described.

**DESCRIPTION**

FIG. 1 is an upper perspective view of the paving chair showing my new design.

FIG. 2 is a back elevation view thereof;

FIG. 3 is a front elevation view thereof;

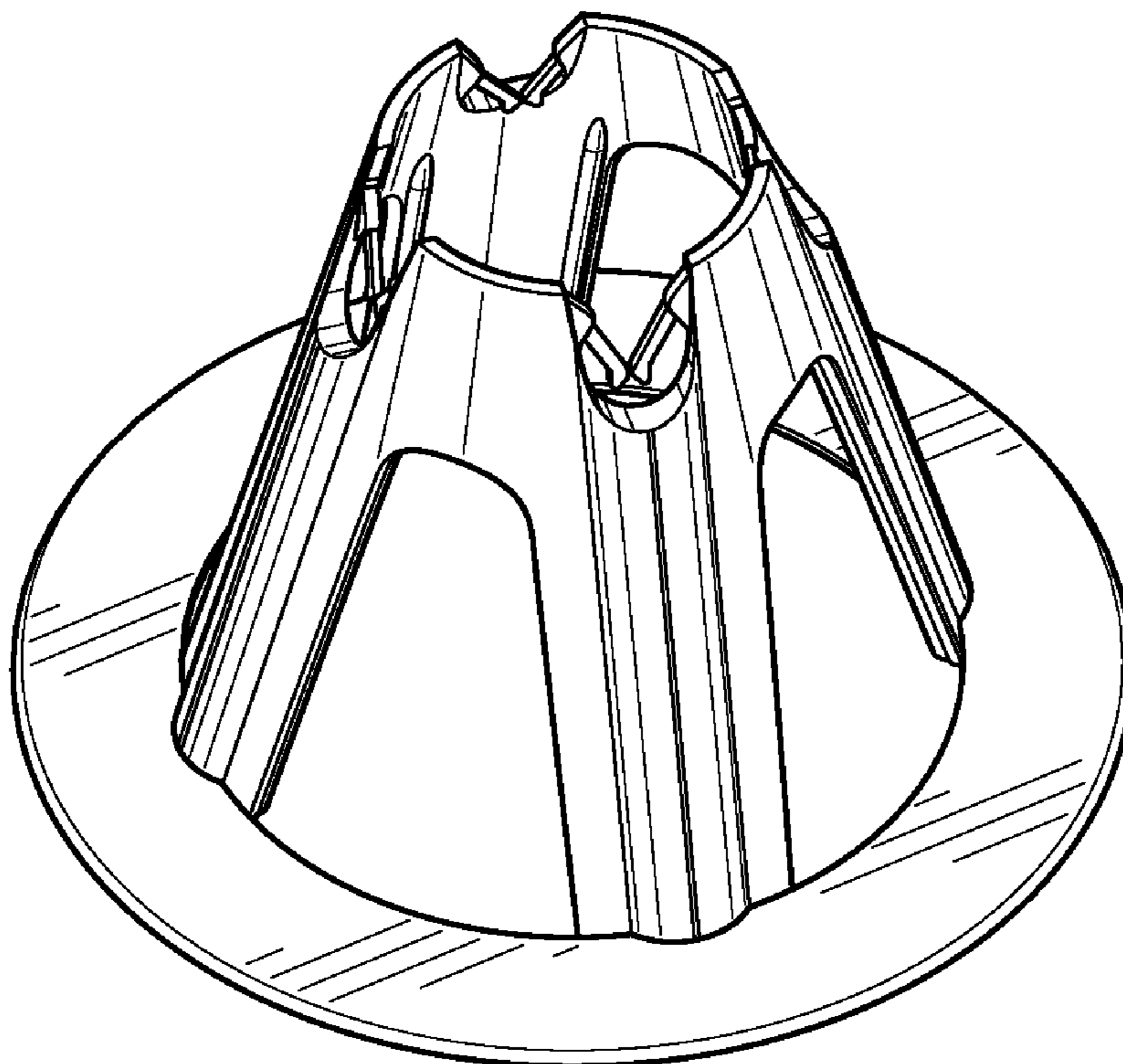
FIG. 4 is a side elevation view thereof;

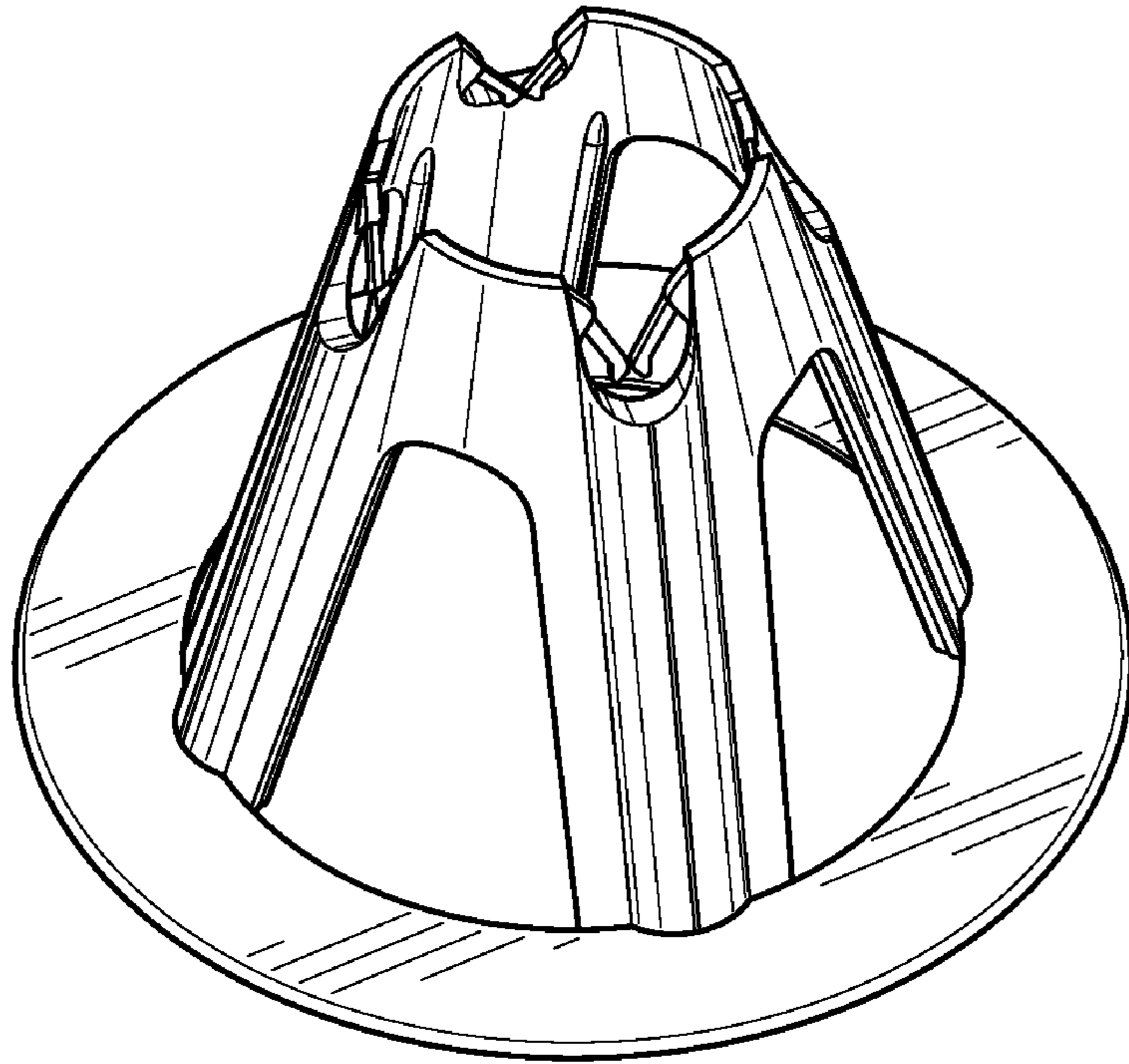
FIG. 5 is an opposite side elevation view thereof;

FIG. 6 is a top plan view thereof; and,

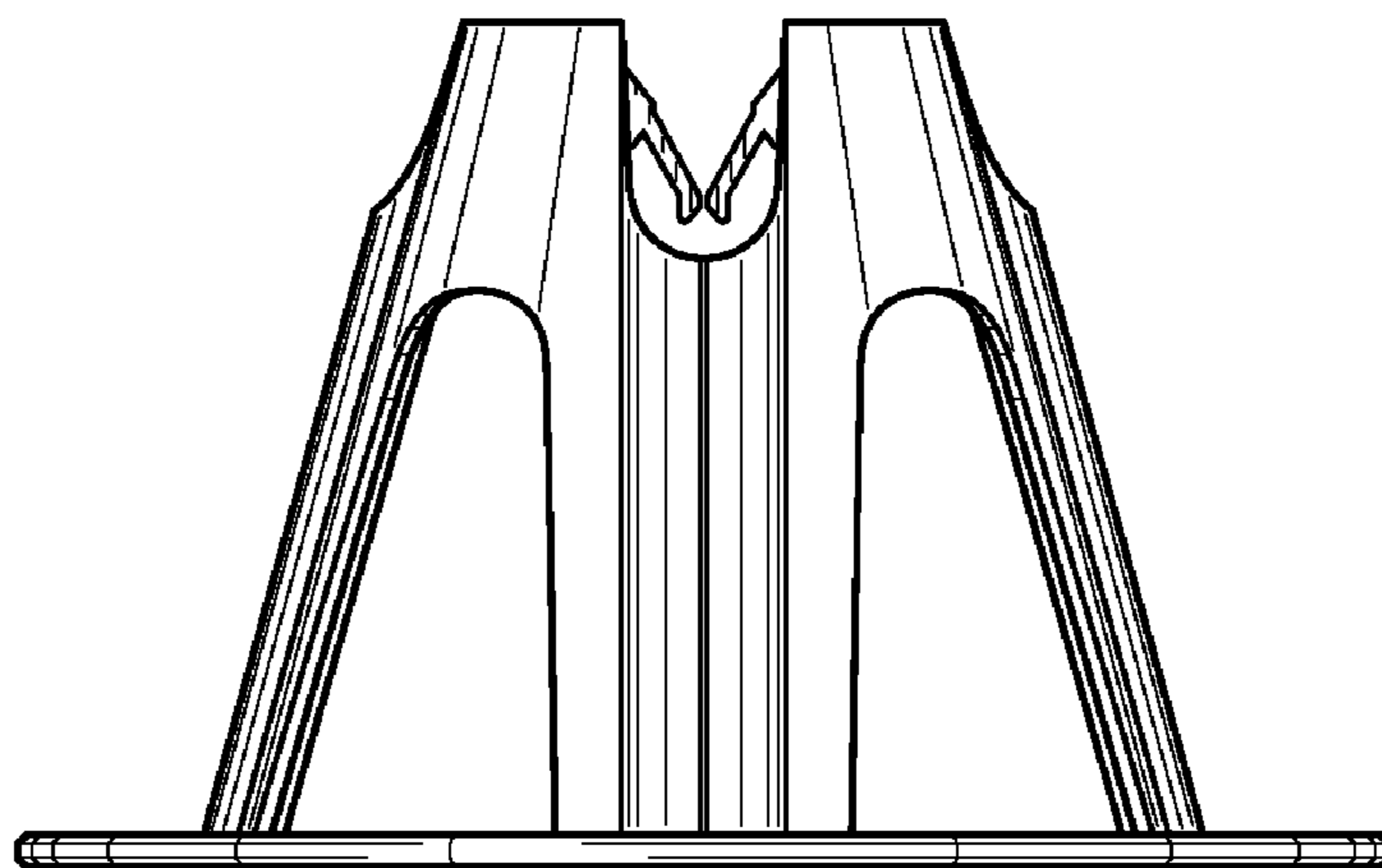
FIG. 7 is a bottom plan view thereof.

**1 Claim, 3 Drawing Sheets**

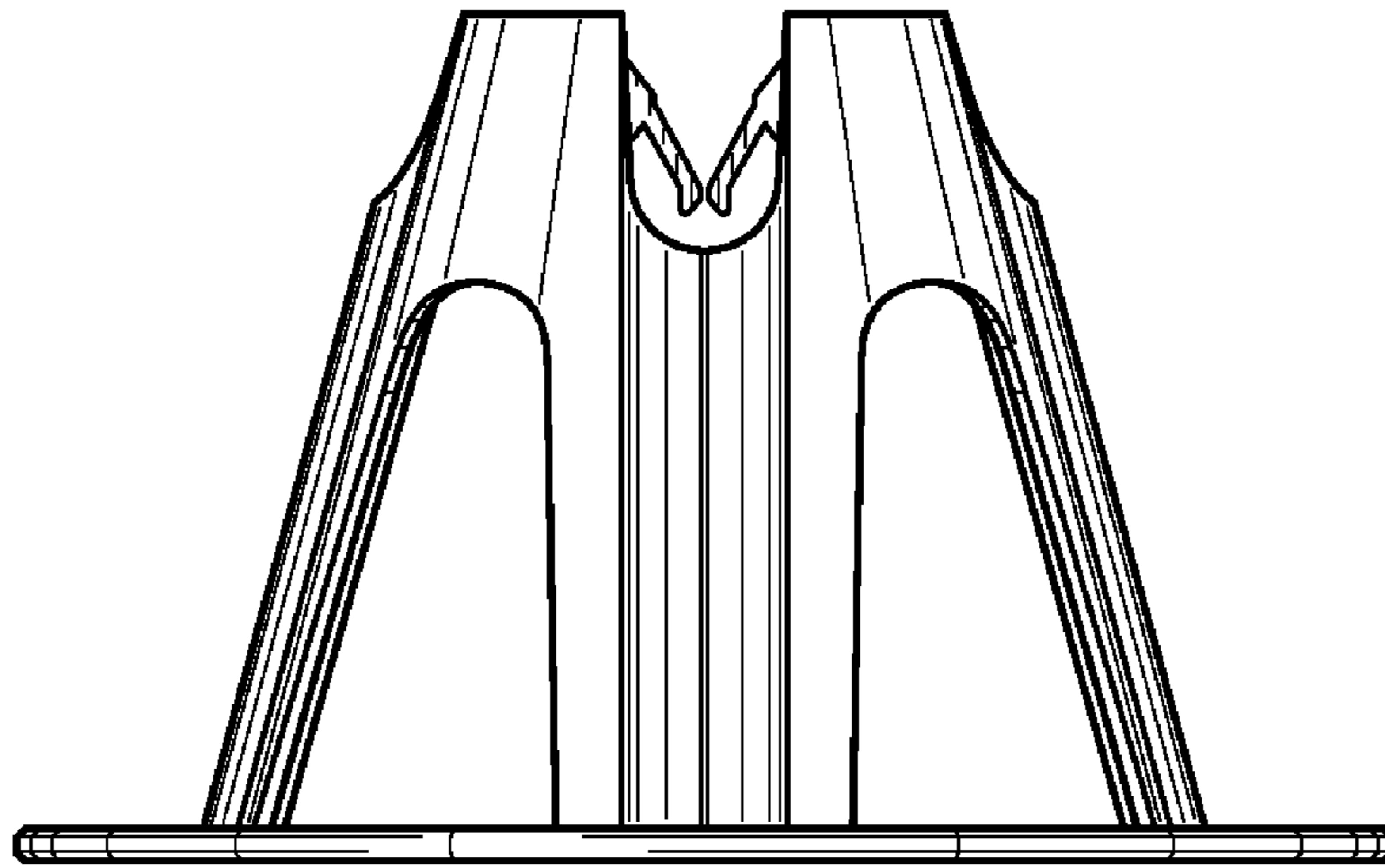




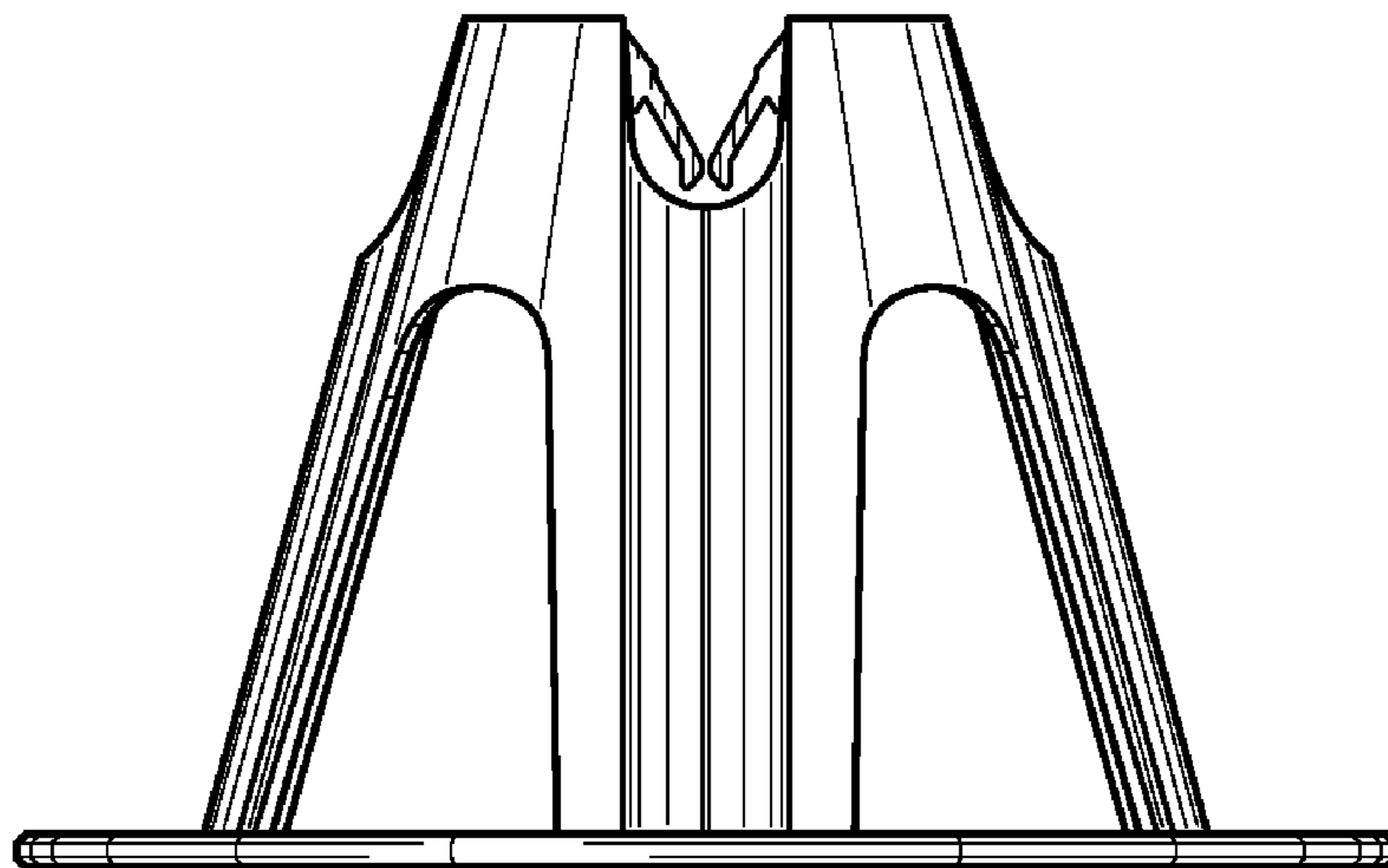
*FIG. 1*



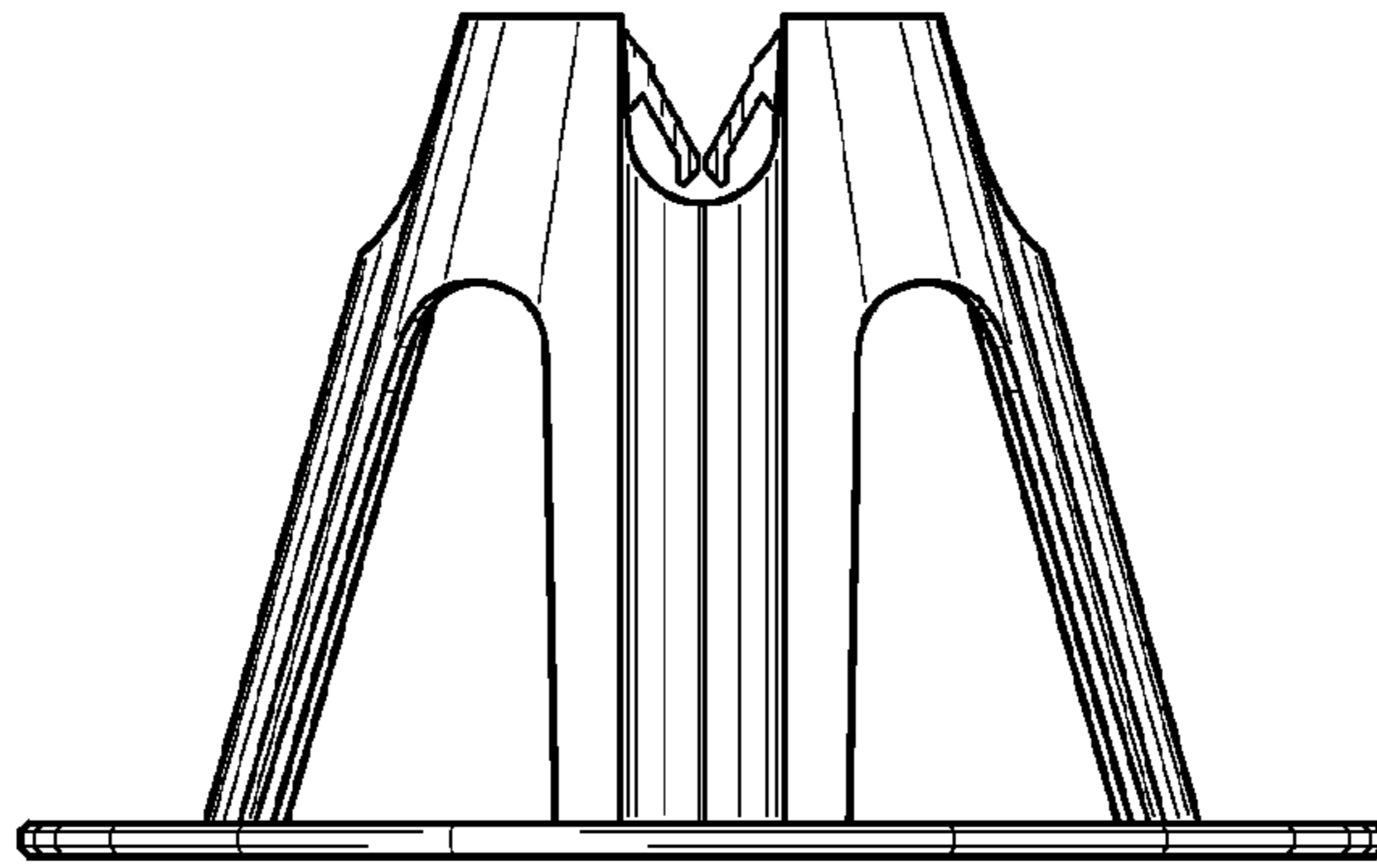
*FIG. 2*



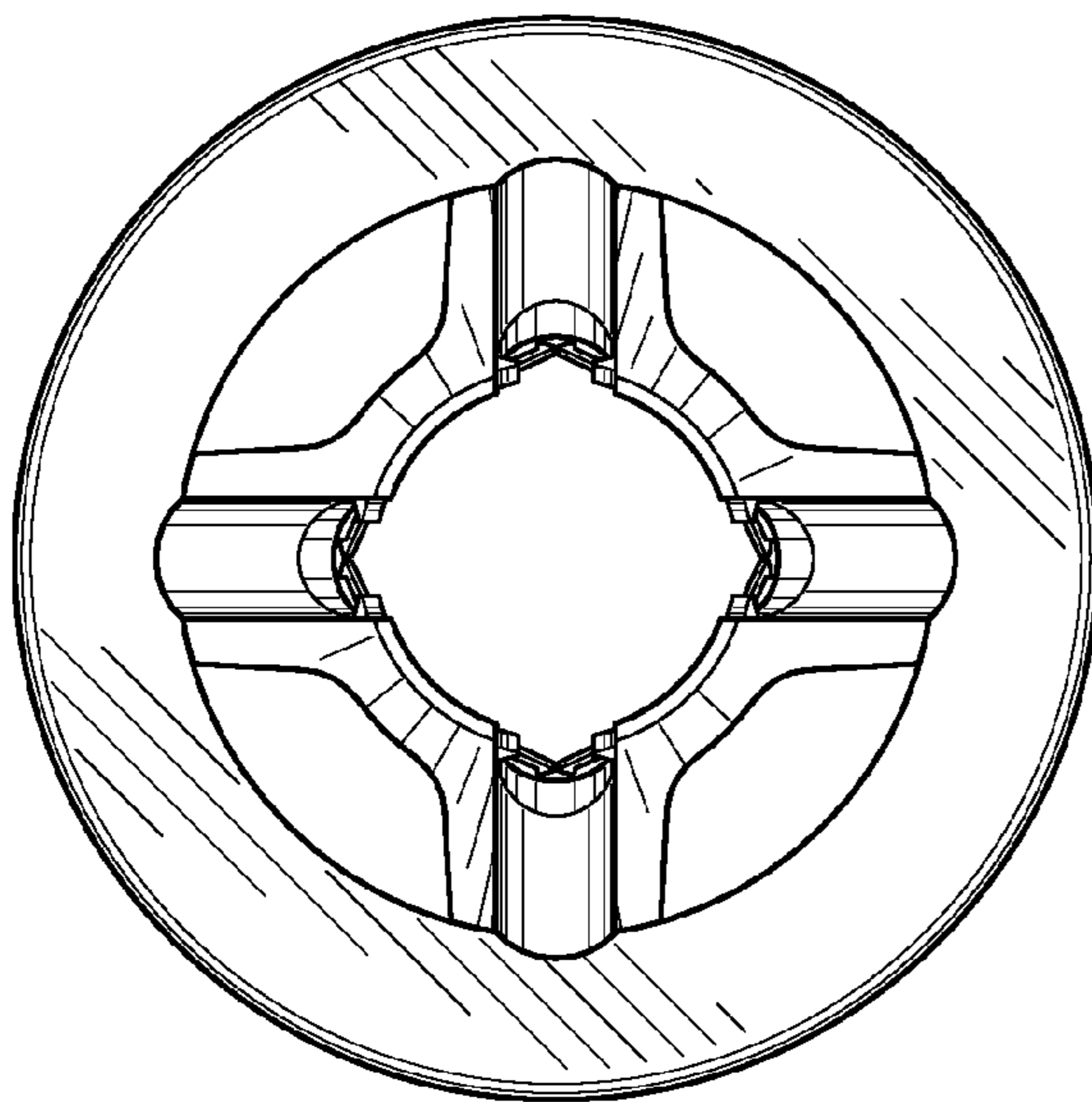
*FIG. 3*



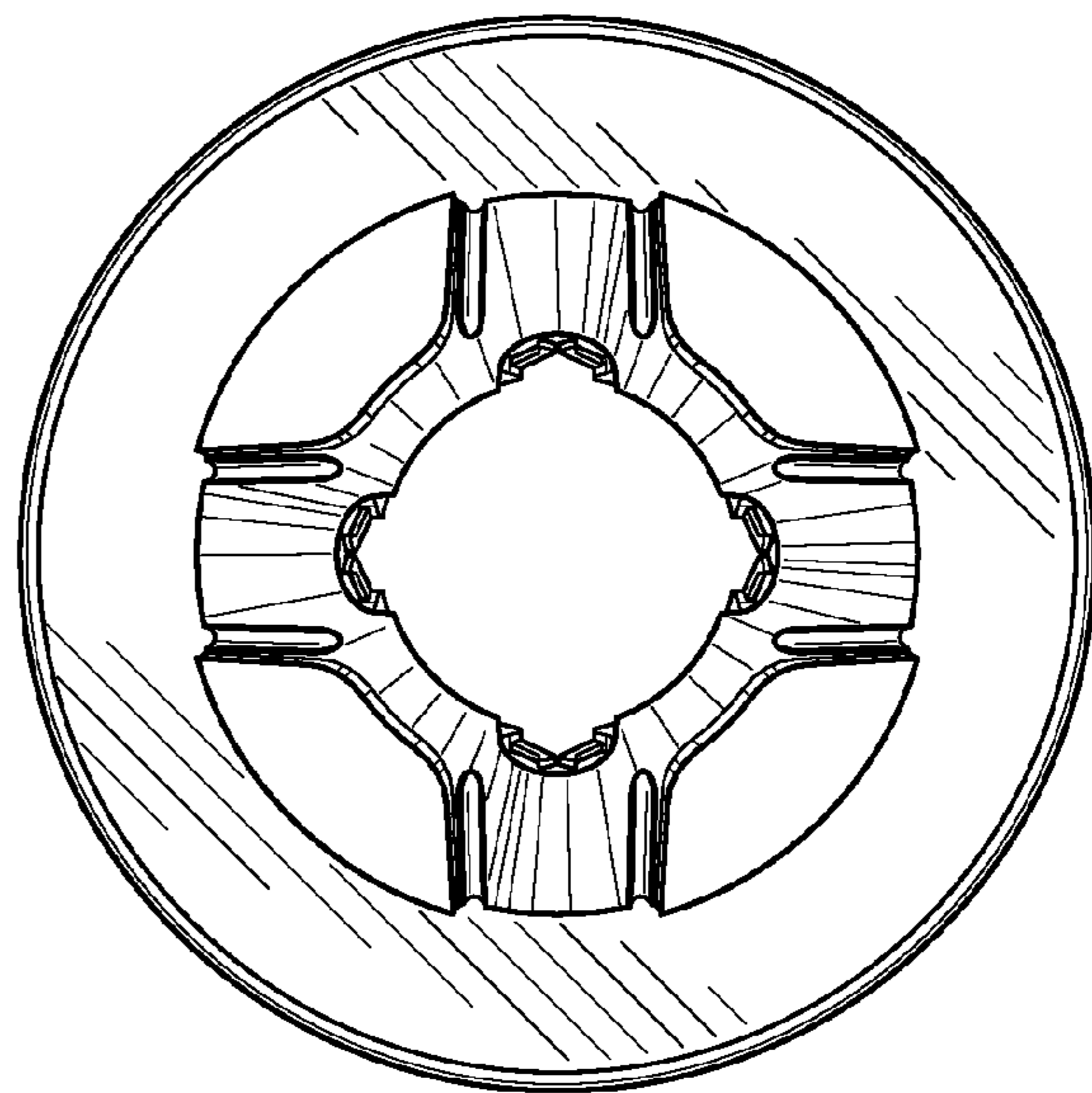
*FIG. 4*



*FIG. 5*



*FIG. 6*



*FIG. 7*