



US00D578376S

(12) **United States Design Patent**
Barton

(10) **Patent No.:** **US D578,376 S**

(45) **Date of Patent:** **** *Oct. 14, 2008**

(54) **PADLOCK VAULT**

(76) Inventor: **James C. Barton**, 1658 Smyrna Rd.,
Keatchie, LA (US) 71046

(*) Notice: This patent is subject to a terminal disclaimer.

(**) Term: **14 Years**

(21) Appl. No.: **29/264,840**

(22) Filed: **Aug. 18, 2006**

(51) **LOC (8) Cl.** **08-07**

(52) **U.S. Cl.** **D8/346**

(58) **Field of Classification Search** D8/330-348;
70/233, 236, 158, 18, 54-56, 57.1, 14, 20
See application file for complete search history.

(56) **References Cited**

U.S. PATENT DOCUMENTS

4,896,518	A *	1/1990	Appelgren	70/54
5,219,384	A *	6/1993	Elsfelder et al.	70/18
D361,928	S *	9/1995	Gray et al.	D8/331
6,439,008	B1 *	8/2002	Keil	70/56
D526,557	S *	8/2006	Falconer et al.	D8/346

D538,135 S * 3/2007 Isaacs D8/347

* cited by examiner

Primary Examiner—Mitchell Siegel

(74) *Attorney, Agent, or Firm*—R. Keith Harrison

(57) **CLAIM**

The ornamental design for a “padlock vault”, as shown and described.

DESCRIPTION

FIG. 1 is a rear perspective view of the padlock vault;

FIG. 2 is a front view of the padlock vault;

FIG. 3 is a rear view of the padlock vault;

FIG. 4 is a top view of the padlock vault;

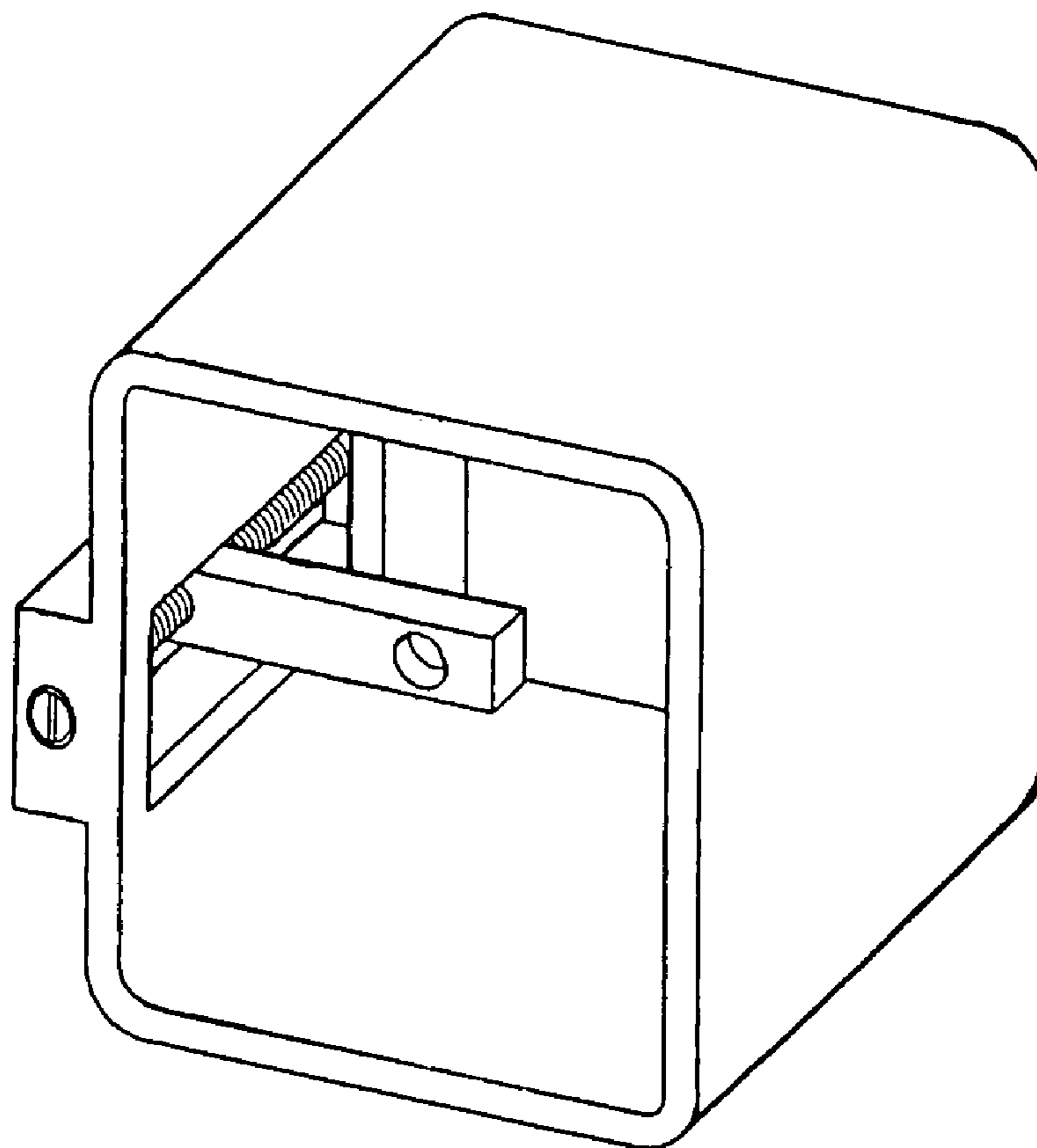
FIG. 5 is a bottom view of the padlock vault;

FIG. 6 is a right side view of the padlock vault;

FIG. 7 is a left side view of the padlock vault; and,

FIG. 8 is a front perspective view of the first embodiment of the padlock vault, the broken line showing of the padlock is for illustrative purposes only and form no part of the claimed design.

1 Claim, 3 Drawing Sheets



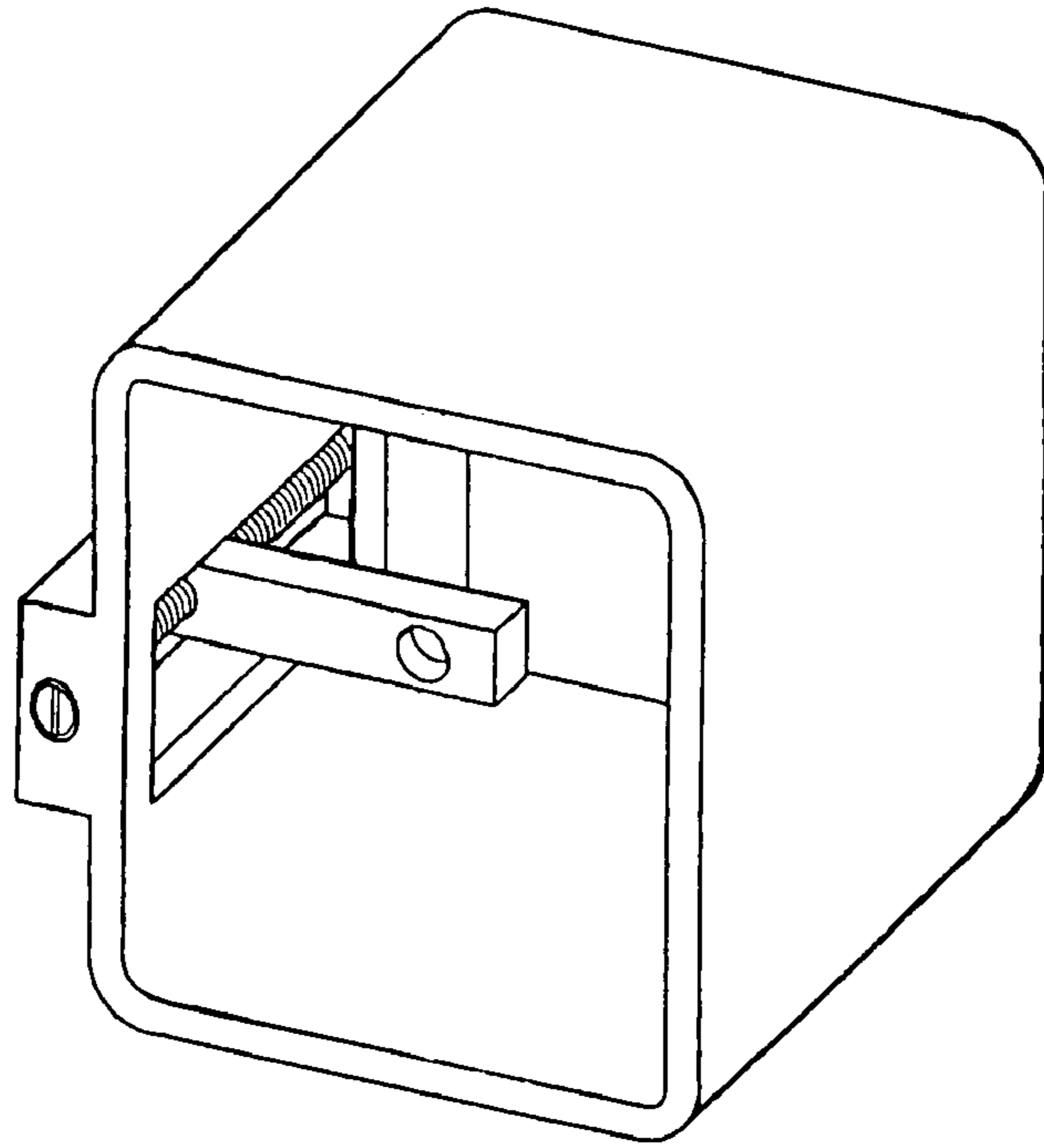


FIG. 1

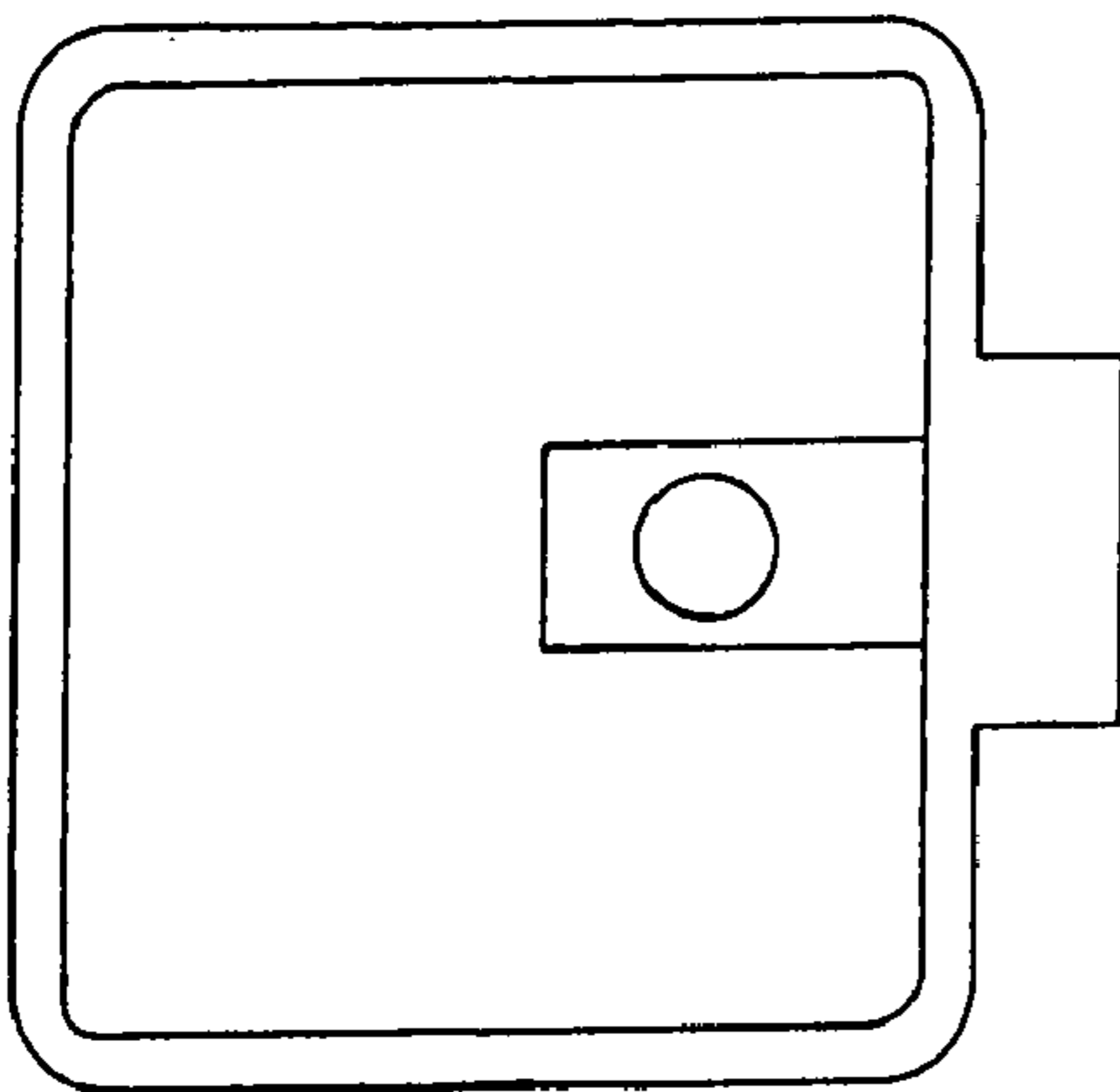


FIG. 2

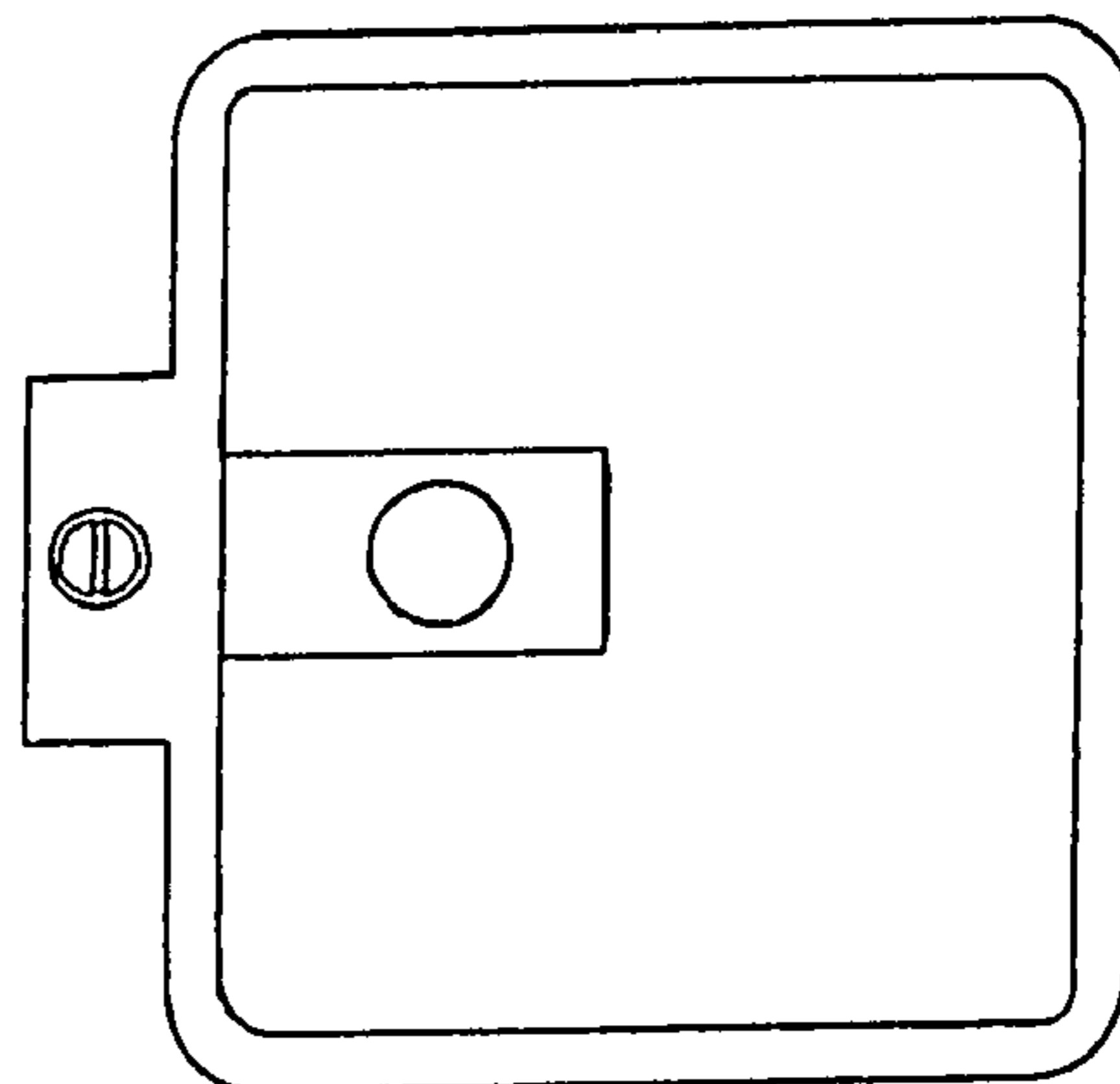


FIG. 3

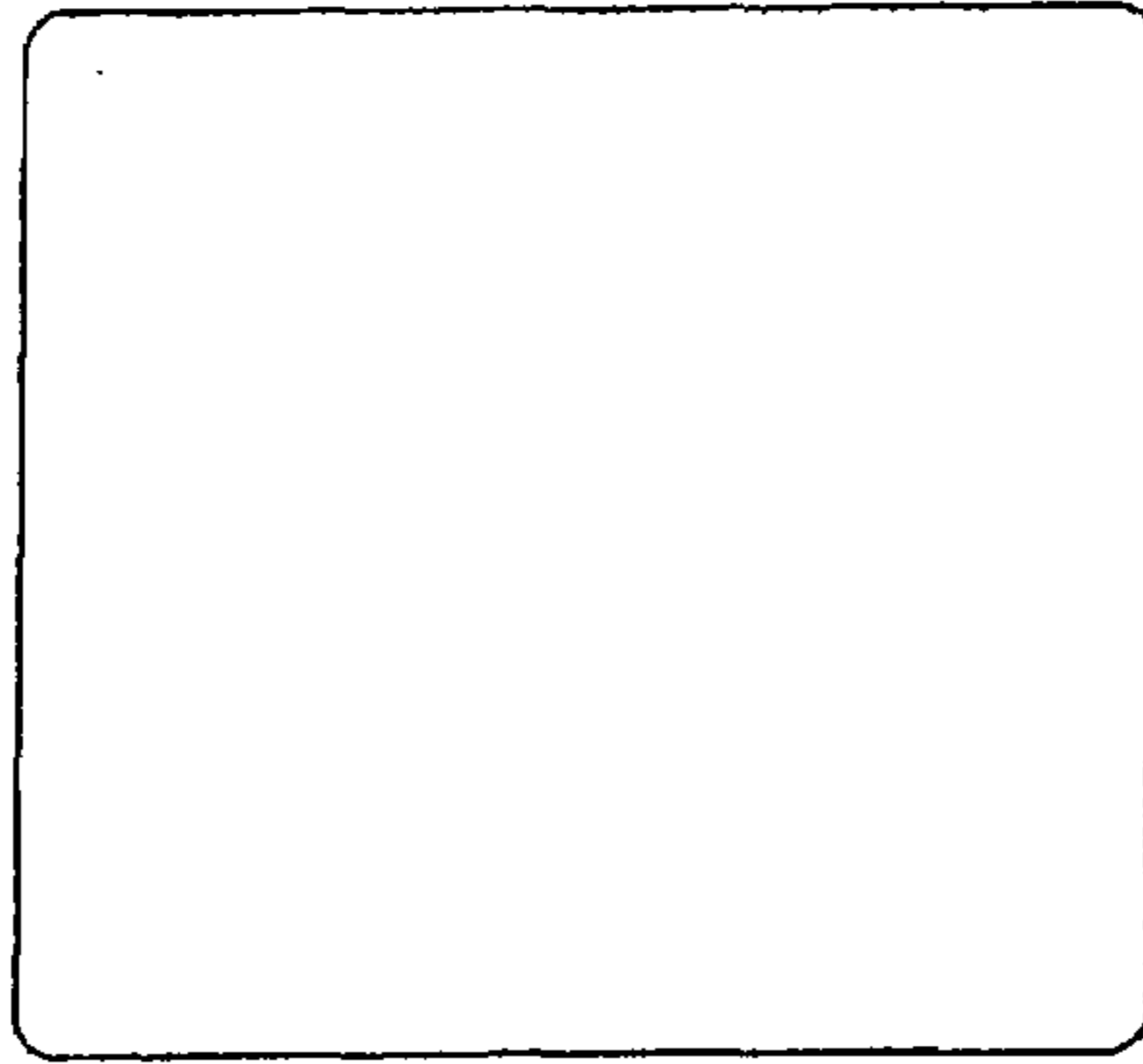


FIG. 4

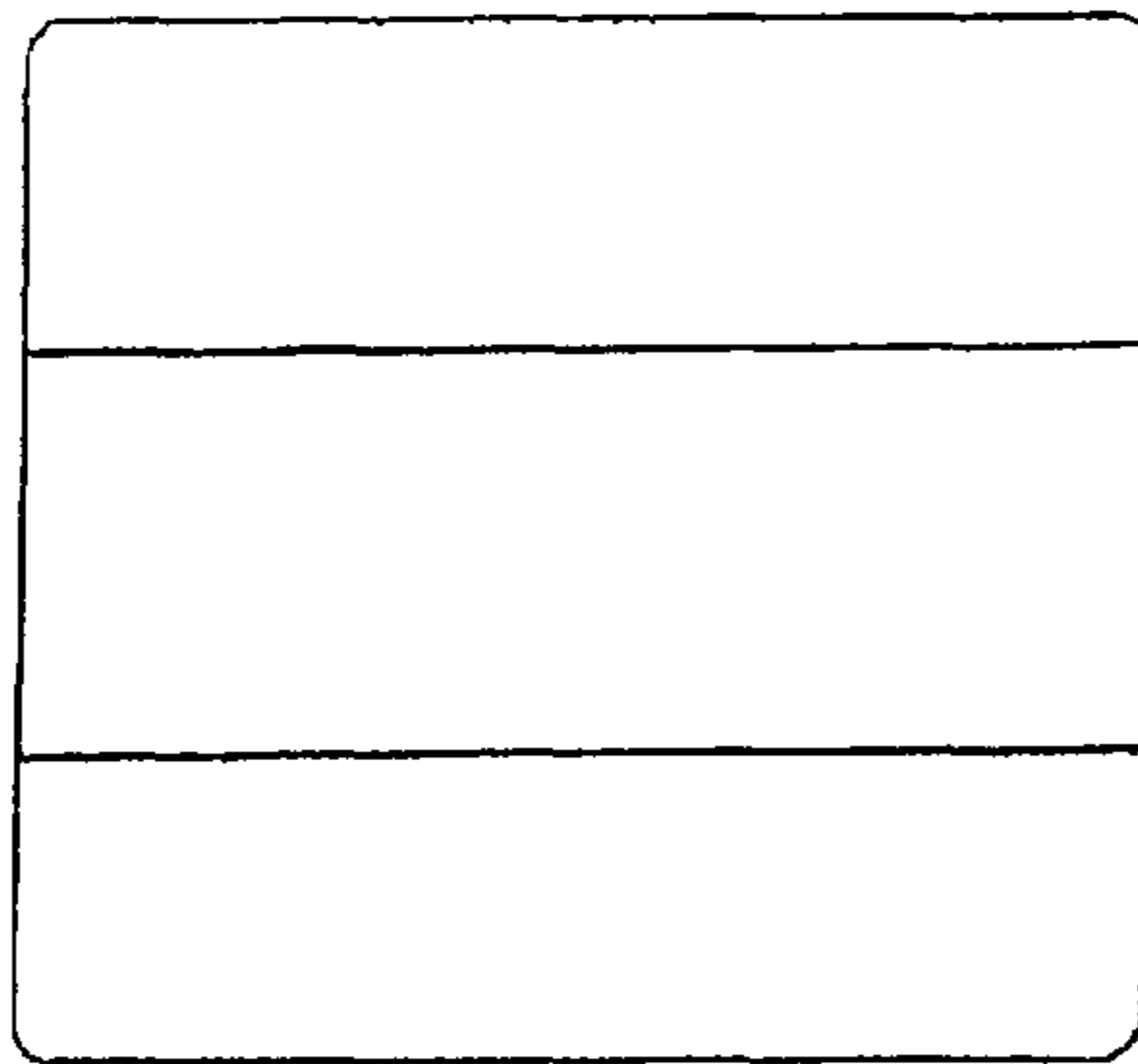


FIG. 5

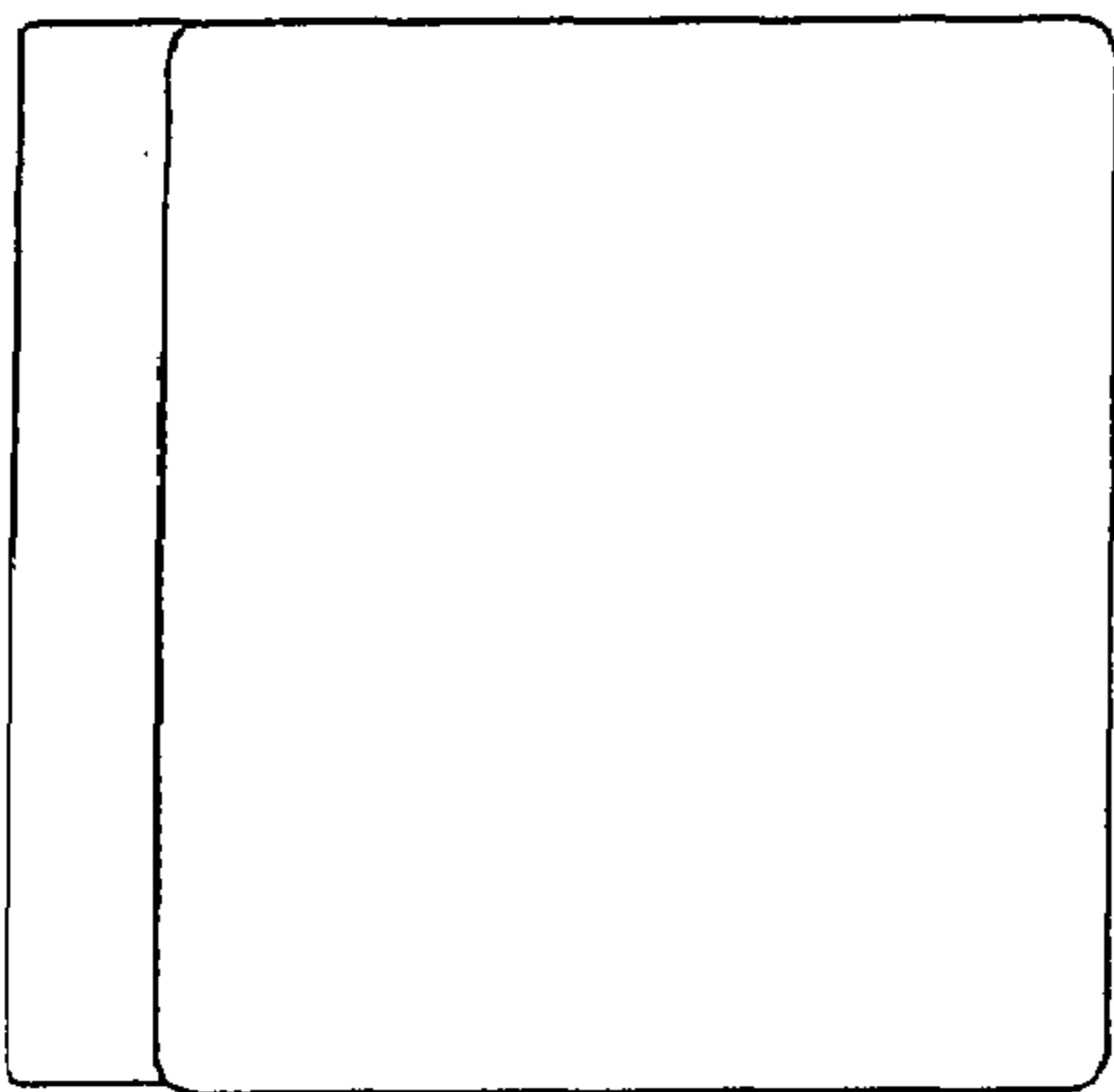


FIG. 6

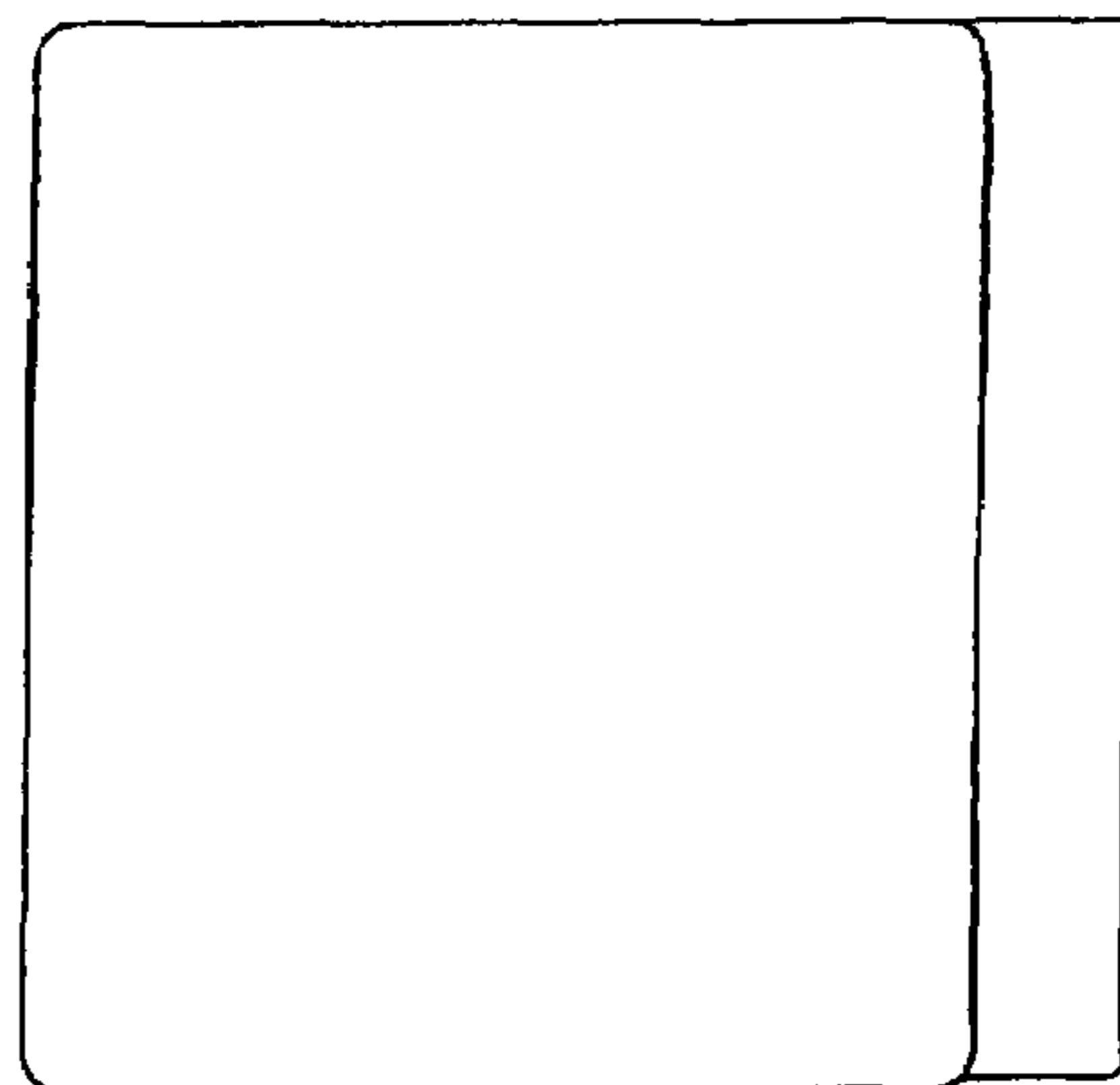


FIG. 7

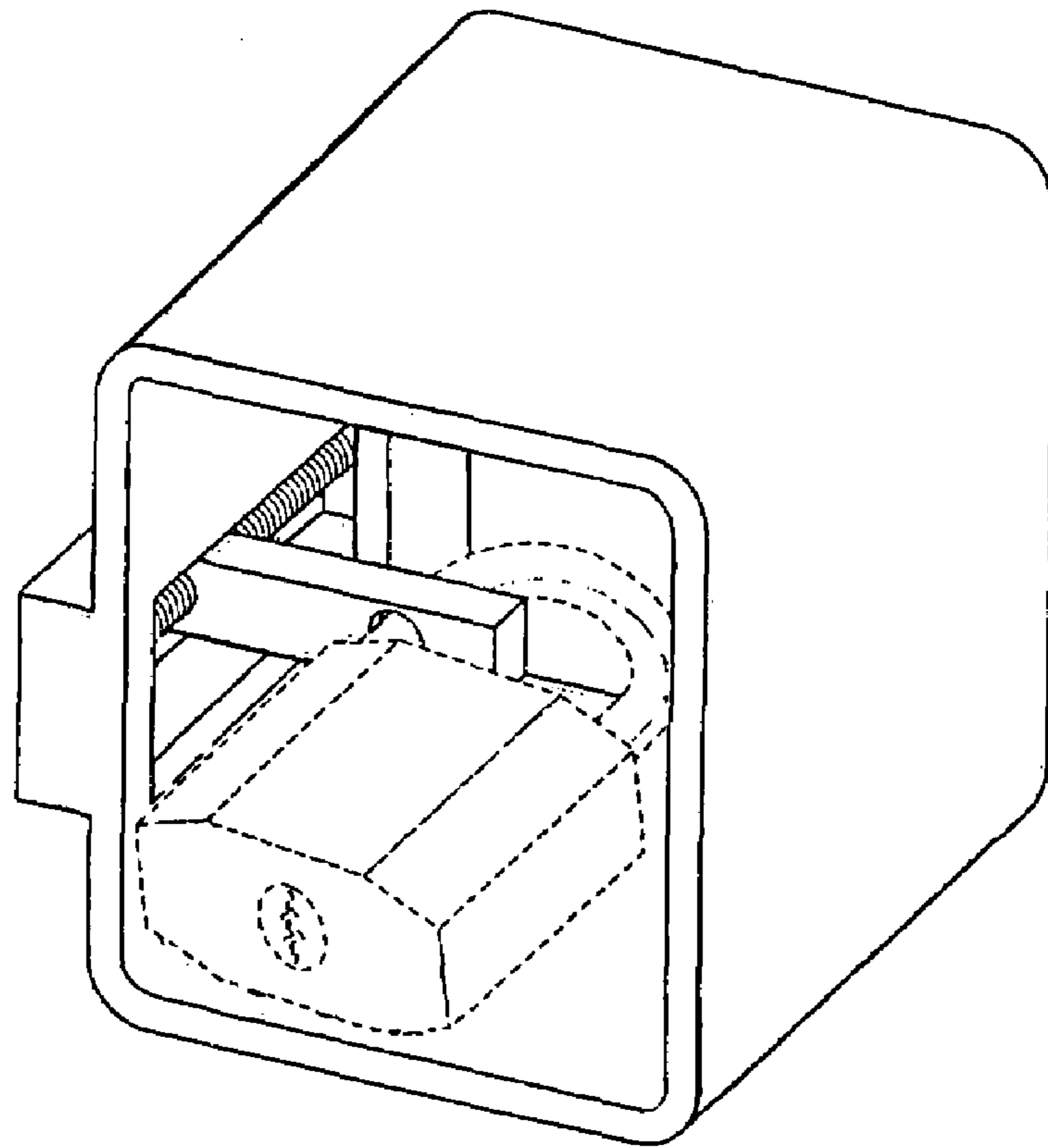


FIG. 8