



US00D578374S

(12) **United States Design Patent**  
**Kim**

(10) **Patent No.:** **US D578,374 S**  
(45) **Date of Patent:** **\*\* Oct. 14, 2008**

(54) **HANDLE DOOR LOCK**

(75) Inventor: **Gab Sik Kim**, Seoul (KR)

(73) Assignee: **Unipass Co., Ltd.**, Gyeonggi-do (KR)

(\*\*) Term: **14 Years**

(21) Appl. No.: **29/293,362**

(22) Filed: **Nov. 19, 2007**

(30) **Foreign Application Priority Data**

May 21, 2007 (KR) ..... 30-2007-0022060

(51) **LOC (8) Cl.** ..... **08-03**

(52) **U.S. Cl.** ..... **D8/331; D8/302**

(58) **Field of Classification Search** ..... D8/330,  
D8/331, 336, 343, 300-302; 70/14, 90, 92,  
70/101, 104, 124, 207, 209, 213, 214, 224,  
70/219, 277, 266

See application file for complete search history.

(56) **References Cited**

**U.S. PATENT DOCUMENTS**

4,972,691 A \* 11/1990 Knight ..... 70/89  
D351,982 S \* 11/1994 Chen ..... D8/330  
D365,976 S \* 1/1996 Chiu ..... D8/330  
6,298,698 B1 \* 10/2001 Nakajima et al. .... 70/214  
6,378,344 B1 \* 4/2002 Gartner ..... 70/278.1  
6,575,009 B2 \* 6/2003 Shiokawa ..... 72/370.06

6,733,050 B1 \* 5/2004 Yao ..... 292/169  
D545,662 S \* 7/2007 Lu ..... D8/302  
D545,666 S \* 7/2007 Manton ..... D8/331  
D551,057 S \* 9/2007 Min ..... D8/330  
D570,188 S \* 6/2008 Luo ..... D8/330

\* cited by examiner

*Primary Examiner*—Prabhakar Deshmukh

(74) *Attorney, Agent, or Firm*—Vangelis Economou  
IPHorgan, Ltd.

(57) **CLAIM**

The ornamental design for a handle door lock, as shown and described.

**DESCRIPTION**

FIG. 1 is a perspective view of the handle door lock showing my new design;

FIG. 2 is a front elevational view thereof;

FIG. 3 is a rear elevational view thereof;

FIG. 4 is a left side view thereof;

FIG. 5 is a right side view thereof;

FIG. 6 is a top view thereof; and,

FIG. 7 is a bottom view thereof.

The broken lines are for illustrative purpose only and form no part of the claimed design.

**1 Claim, 3 Drawing Sheets**

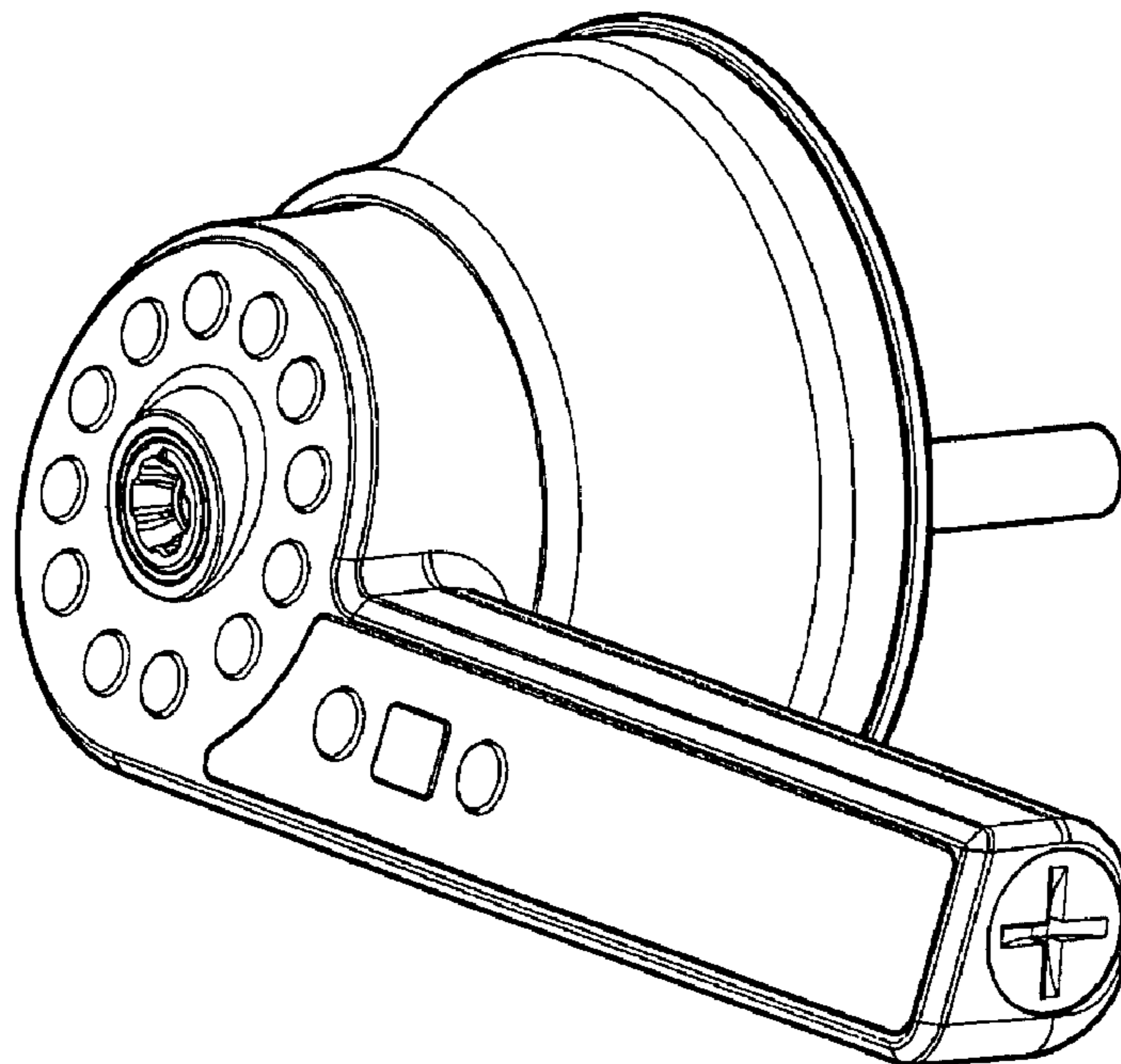


FIG. 1

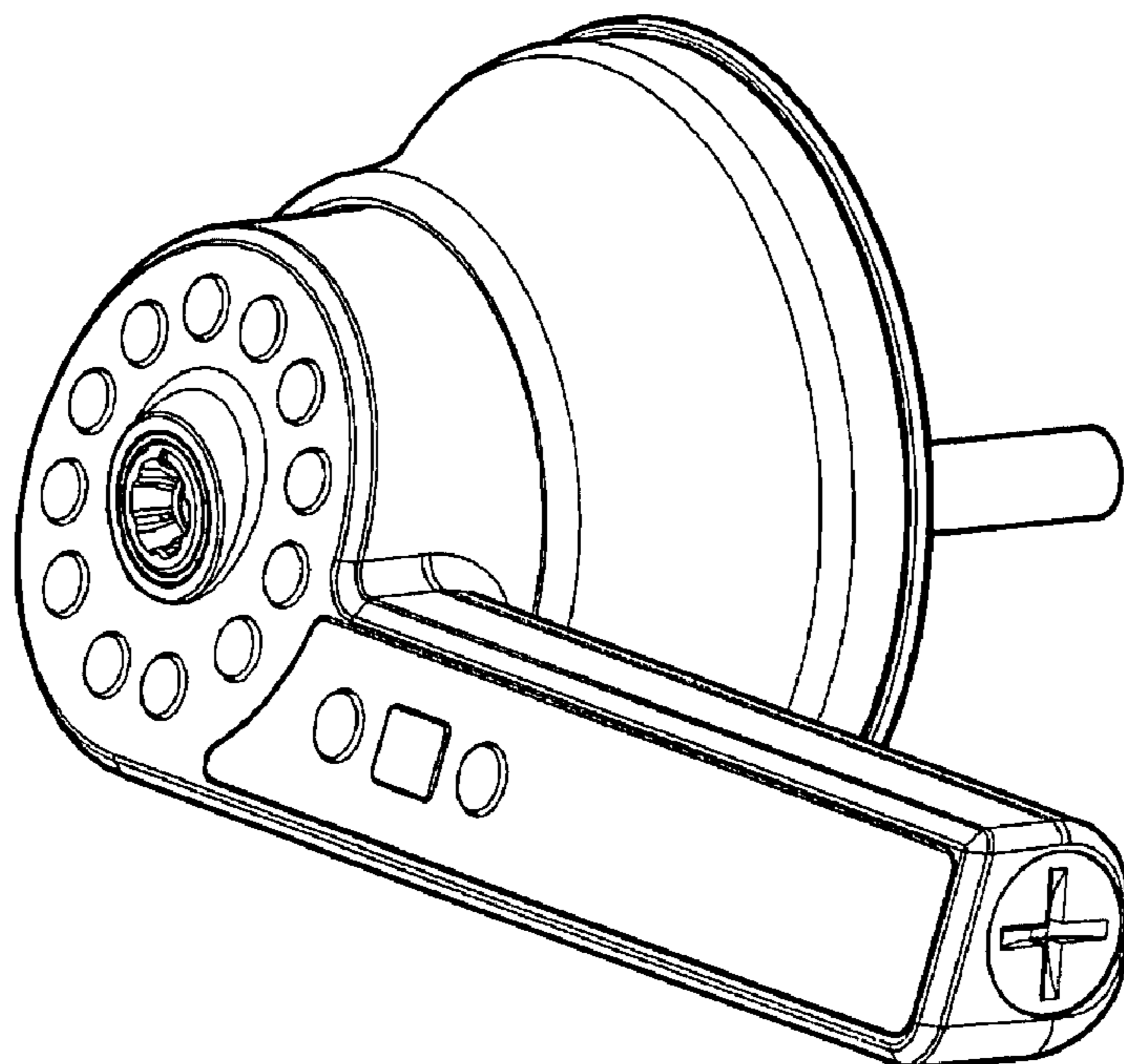


FIG. 2

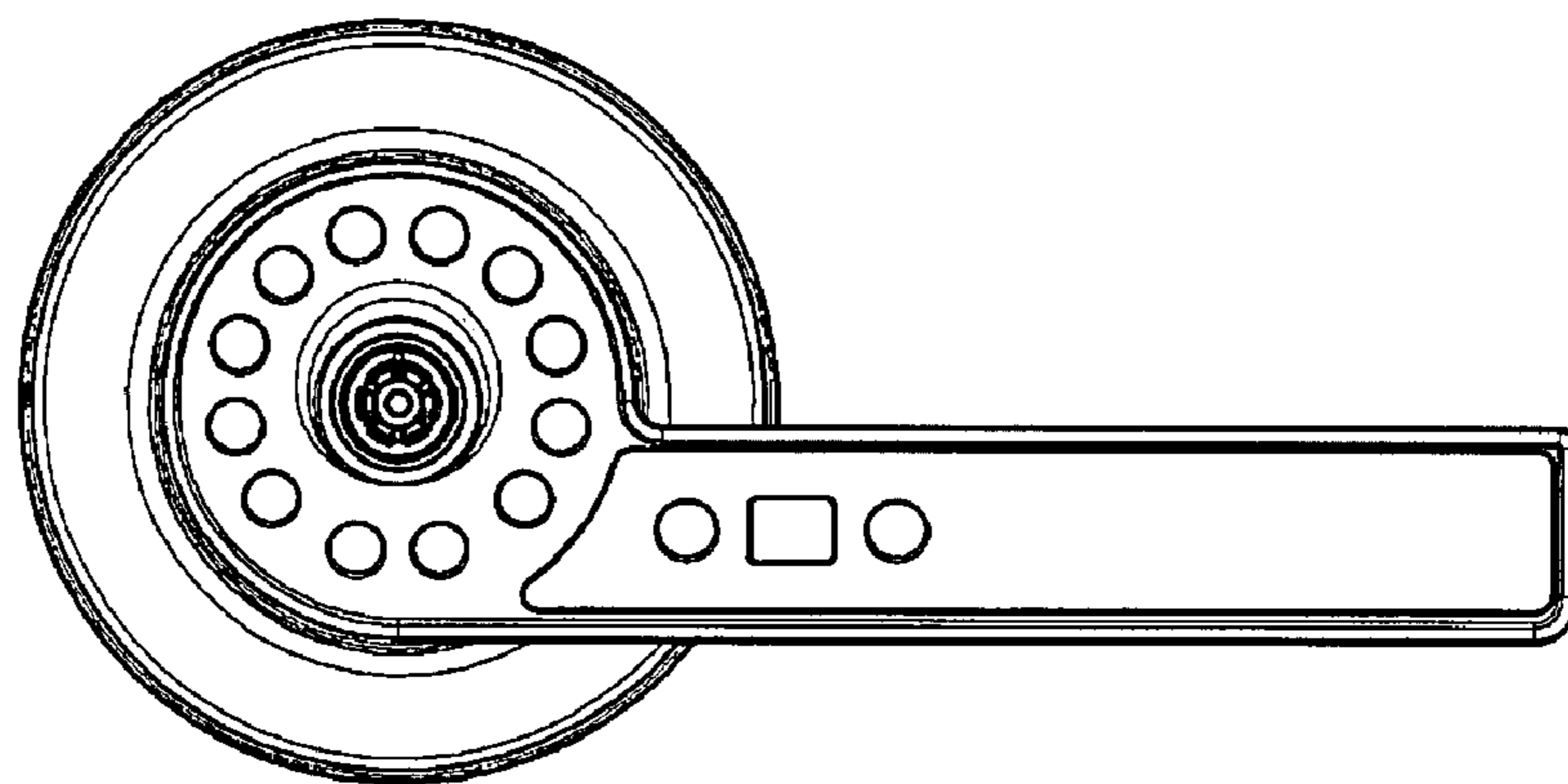


FIG. 3

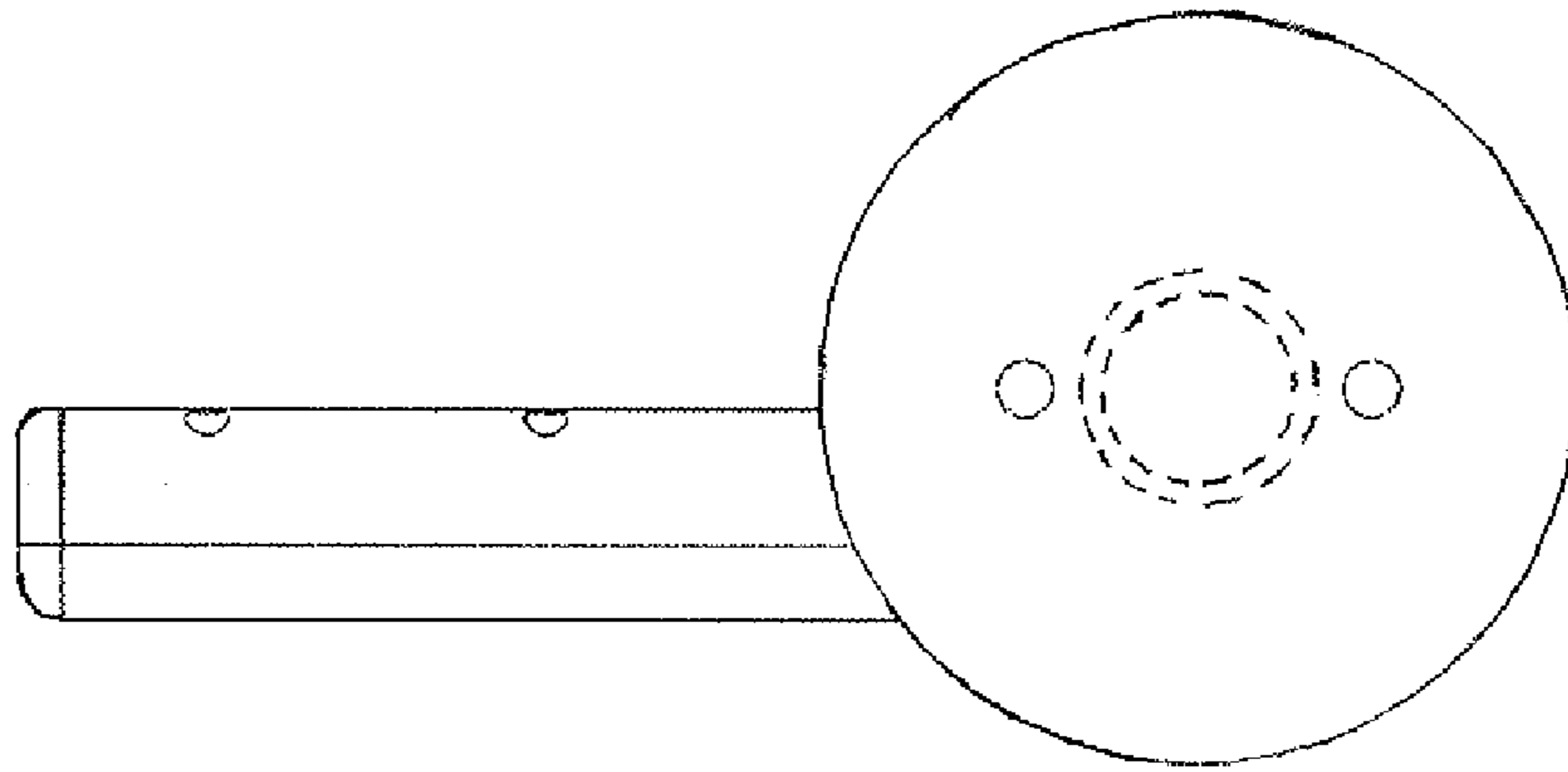
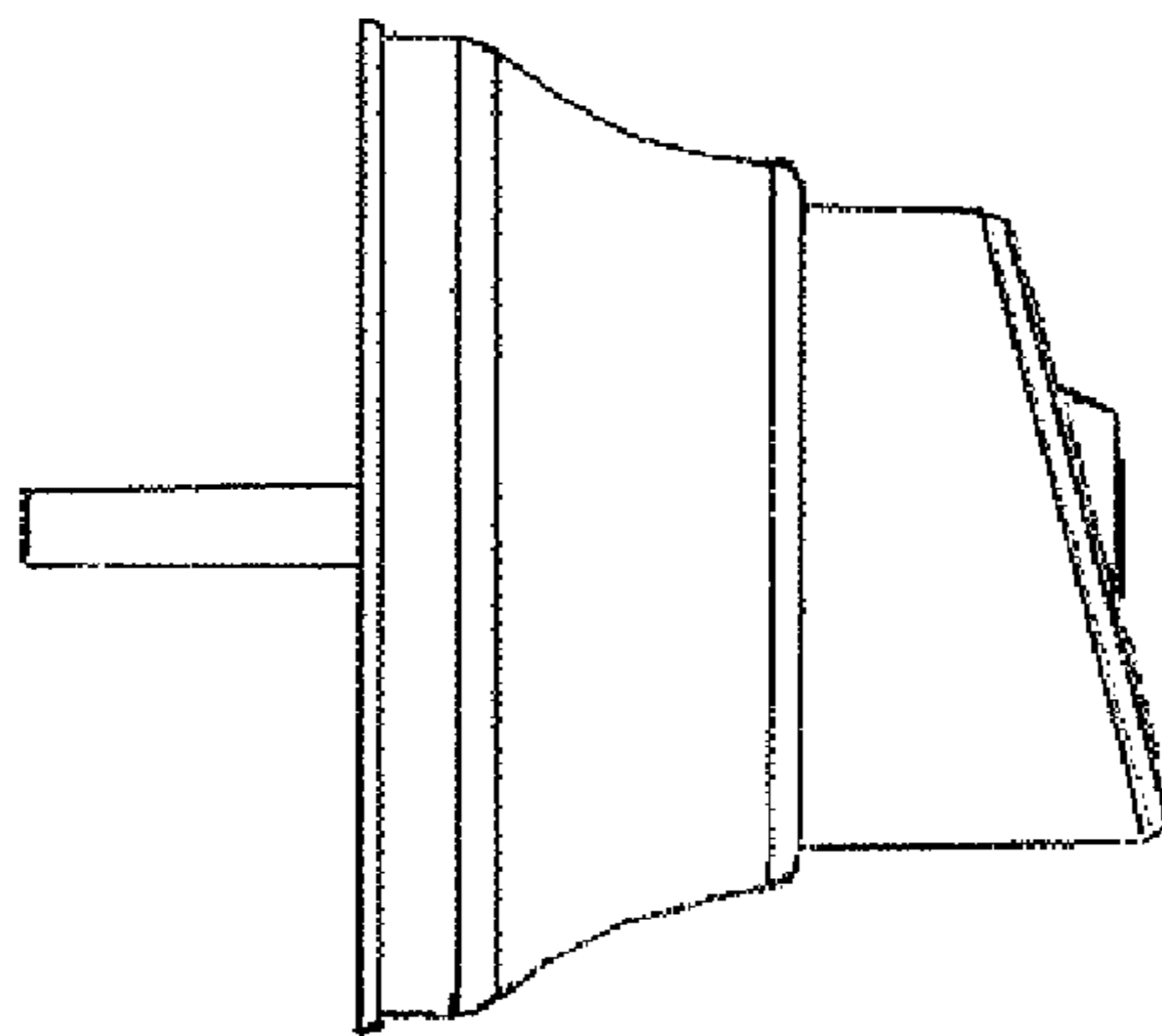


FIG. 4



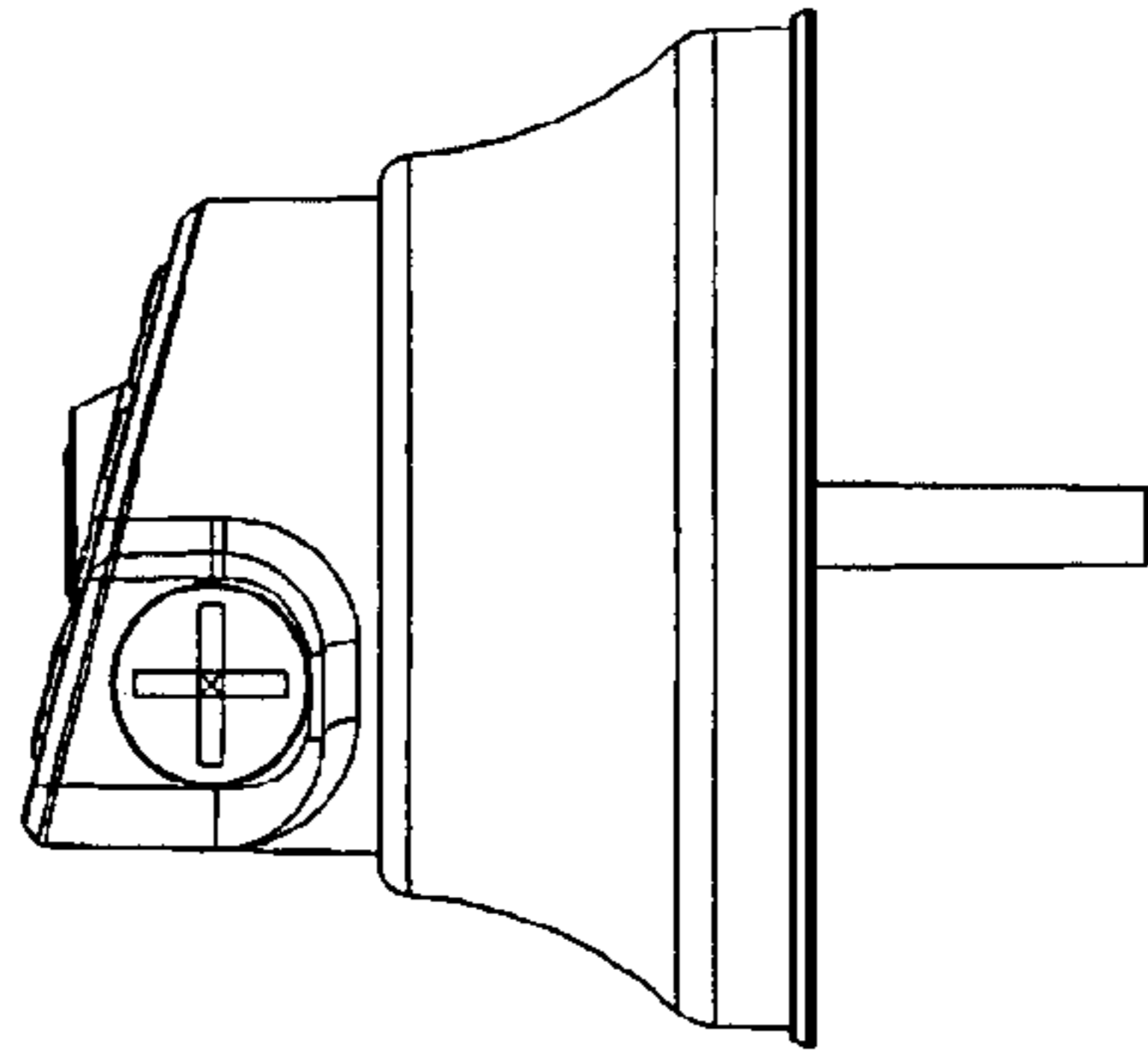


FIG. 5

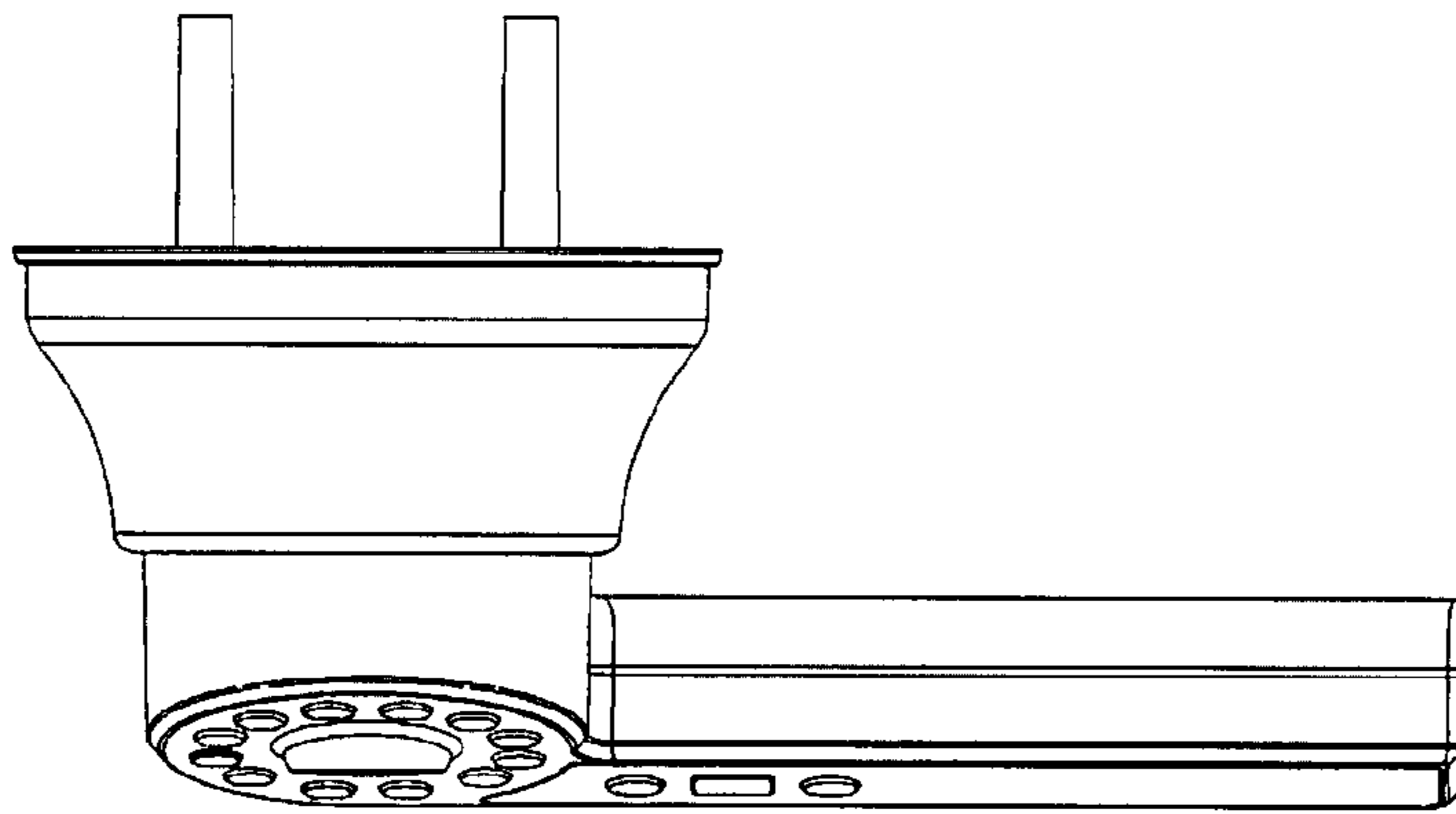


FIG. 6

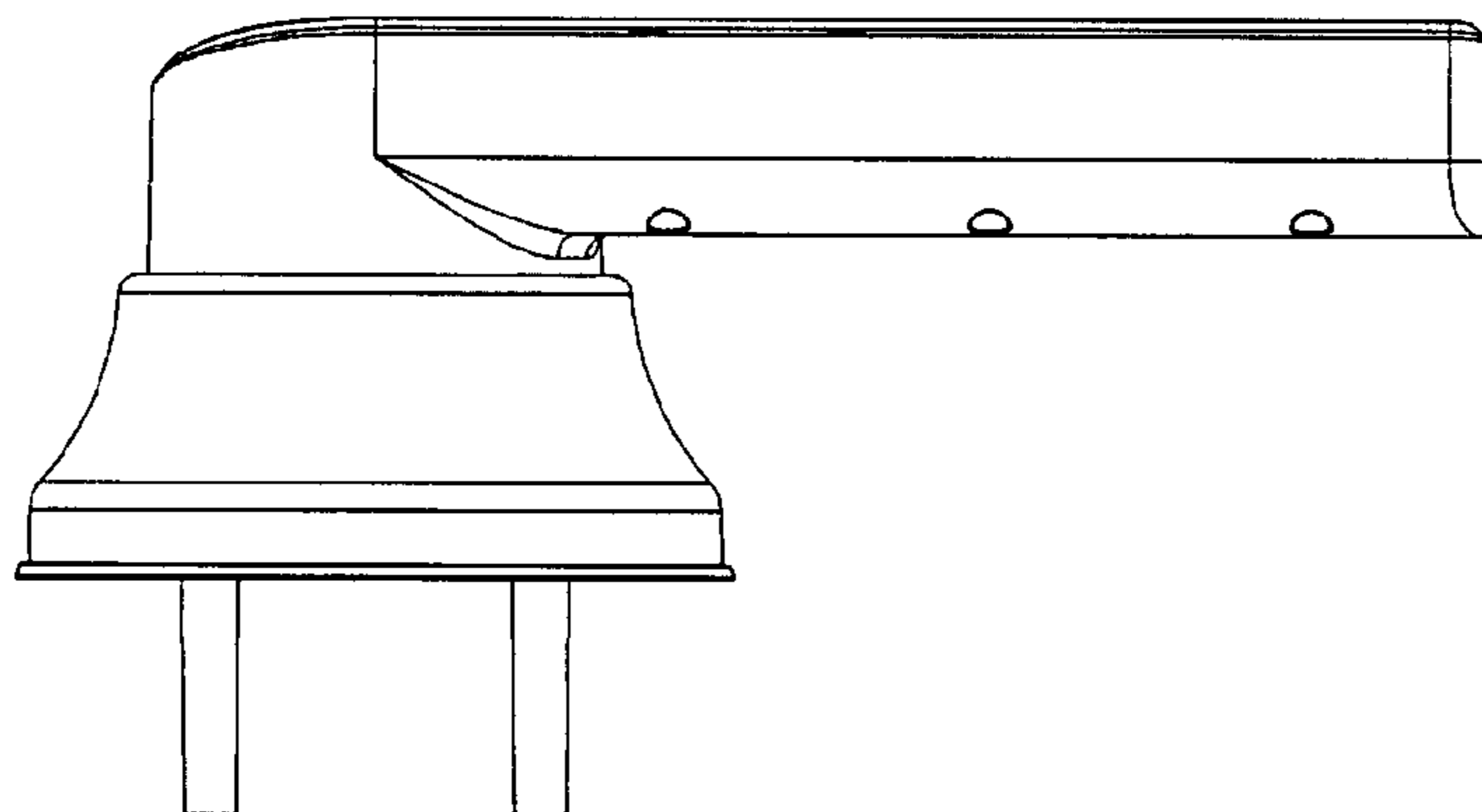


FIG. 7