



US00D578366S

(12) **United States Design Patent**  
**Van Wambeke**

(10) **Patent No.:** **US D578,366 S**

(45) **Date of Patent:** **\*\* Oct. 14, 2008**

(54) **JIGSAW**

D566,504 S \* 4/2008 Hayakawa et al. .... D8/64

(75) Inventor: **Weston J. Van Wambeke**, Towson, MD  
(US)

(73) Assignee: **Black & Decker Inc.**, Newark, DE (US)

(\*\*) Term: **14 Years**

(21) Appl. No.: **29/295,160**

(22) Filed: **Sep. 21, 2007**

(51) **LOC (8) Cl.** ..... **08-03**

(52) **U.S. Cl.** ..... **D8/64**

(58) **Field of Classification Search** ..... D8/61,  
D8/62, 64, 66, 69, 68, 67, 70; D7/379; D21/532;  
83/34, 747, 699.21; 30/394, 393, 392, 377,  
30/376, 375, 391, 390; 173/216, 217; 310/50  
See application file for complete search history.

(56) **References Cited**

**U.S. PATENT DOCUMENTS**

D414,094 S *	9/1999	Heun	.....	D8/64
D440,474 S	4/2001	Heun		
D463,963 S *	10/2002	Metaxatos et al.	.....	D8/64
D474,384 S *	5/2003	Andriolo	.....	D8/64
D476,871 S *	7/2003	Santarsiero et al.	.....	D8/64
D486,711 S *	2/2004	Tam et al.	.....	D8/64
6,705,017 B2 *	3/2004	Ellis et al.	.....	30/375
D489,239 S *	5/2004	Keller	.....	D8/64
D519,014 S *	4/2006	Aglassinger	.....	D8/64
D519,346 S *	4/2006	Wu	.....	D8/64
D519,805 S	5/2006	Ng		
D519,806 S	5/2006	Waldron		
D520,318 S *	5/2006	Waldron	.....	D8/64
D521,834 S *	5/2006	Andriolo et al.	.....	D8/64
D522,335 S	6/2006	Houghton		
D523,309 S *	6/2006	Schmid	.....	D8/64
D524,622 S *	7/2006	Corcoran	.....	D8/64
D532,664 S *	11/2006	Wu	.....	D8/64
D560,455 S *	1/2008	Yamamoto et al.	.....	D8/64

**OTHER PUBLICATIONS**

Assembly view and parts list for Black and Decker Jigsaw Model Number JS350K, Type 1, Published 2005.  
Assembly view and parts list for Black and Decker Jigsaw Model Number JS600K, Type 1, Published 2005.  
Assembly view and parts list for Black and Decker Jigsaw Model Number DC330K, Type 10, Published 2005.  
Assembly view and parts list for Black and Decker Jigsaw Model Number DW331K, Type 1, Published 2005.  
Assembly view and parts list for Black and Decker Jigsaw Model Number JS500K, Type 1, Published 2005.  
Assembly view and parts list for Black and Decker Jigsaw Model Number JS700K, Type 1, Published 2005.

(Continued)

*Primary Examiner*—Cathron Brooks  
*Assistant Examiner*—Austin Murphy  
(74) *Attorney, Agent, or Firm*—Harness, Dickey & Pierce, P.L.C.

(57) **CLAIM**

The ornamental design for a jigsaw, as shown and described.

**DESCRIPTION**

FIG. 1 is a side view of a jigsaw in accordance with the present teachings.

FIG. 2 is an opposite side view of the jigsaw of FIG. 1.

FIG. 3 is a front view of the jigsaw of FIG. 1.

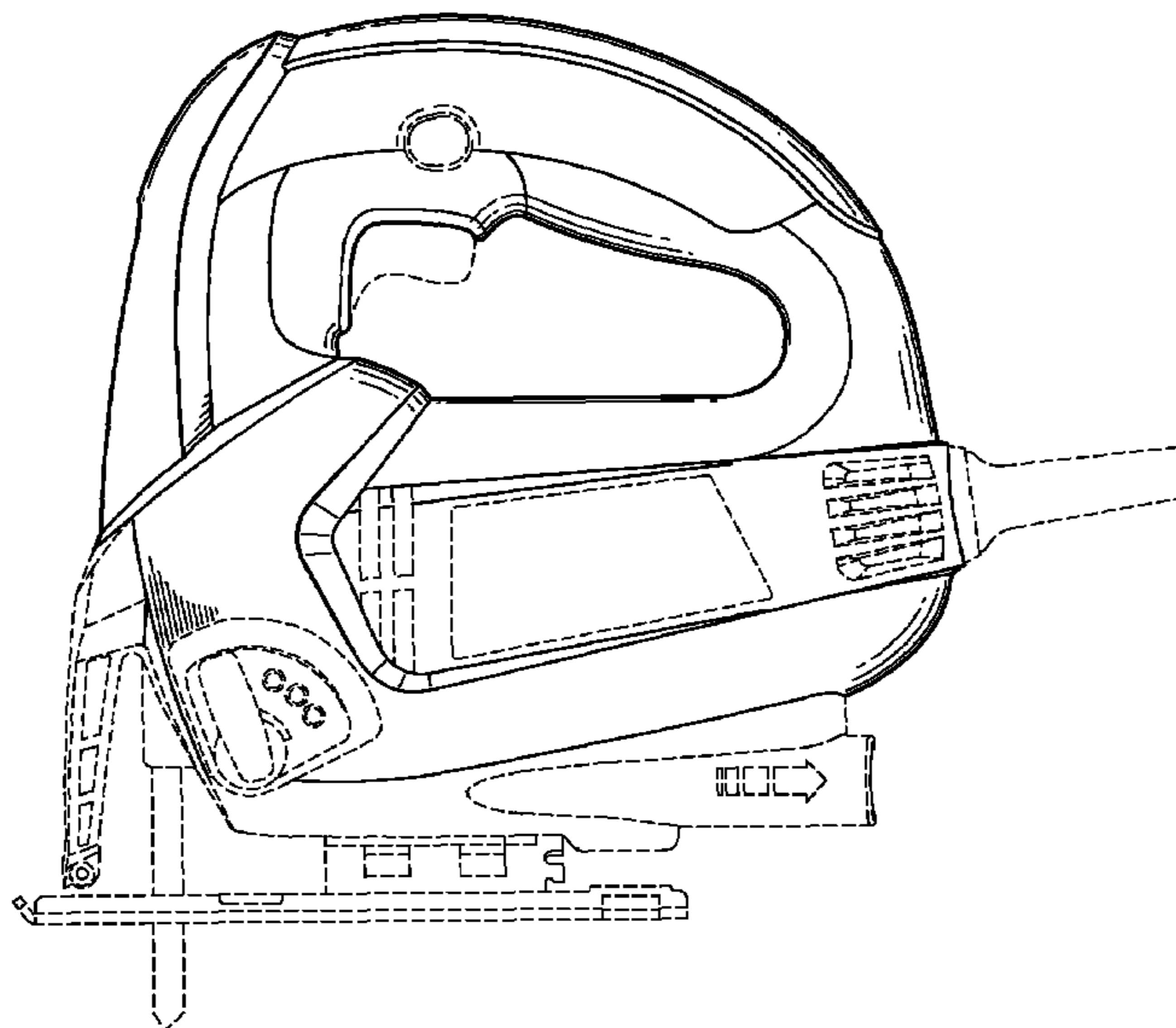
FIG. 4 is a rear view of the jigsaw of FIG. 1.

FIG. 5 is a top view of the jigsaw of FIG. 1, the bottom view of the jigsaw is excluded as it would be almost entirely obstructed by a cutting shoe shown in broken line; and,

FIG. 6 is a perspective view of the jigsaw of FIG. 1.

The broken lines shown in the drawings form no part of the claimed design.

**1 Claim, 5 Drawing Sheets**



OTHER PUBLICATIONS

Assembly view and parts list for Black and Decker Jigsaw Model Number FS18JS, Type 1, Published 2005.

German Design Registration No. M94 03 565.2; filed Dec. 29, 1993.

German Design Registration No. 499 05 194.7; filed May 27, 1999.

German Design Registration No. 499 01 078.7; filed Aug. 3, 1998.

German Design Registration No. 402 08 158.7; filed Apr. 17, 2002.

German Design Registration No. 402 08 159.5; filed Apr. 17, 2002.

German Design Registration No. 40401105; filed Feb. 20, 2004.

European Community Design Registration No. 000134408-0001; Registration date Jan. 26, 2004.

European Community Design Registration No. 000337506-0001; Registration date Apr. 28, 2005.

European Community Design Registration No. 000337530-0001; Registration date Jun. 28, 2005.

European Community Design Registration No. 000435482-0001; Registration date Nov. 18, 2005.

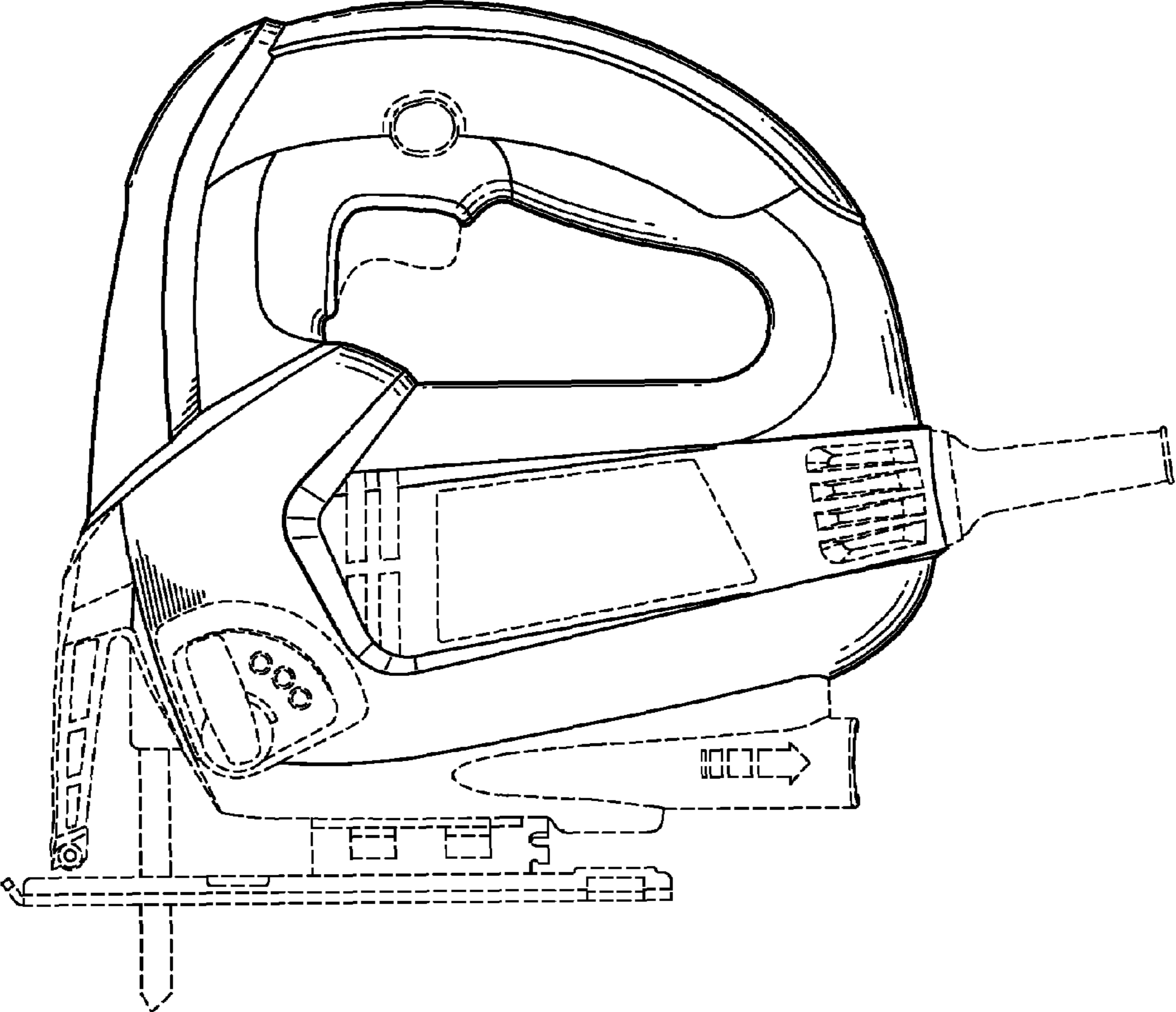
European Community Design Registration No. 000435482-0002; Registration date Nov. 18, 2005.

European Community Design Registration No. 000491162-0001; Registration date Mar. 3, 2006.

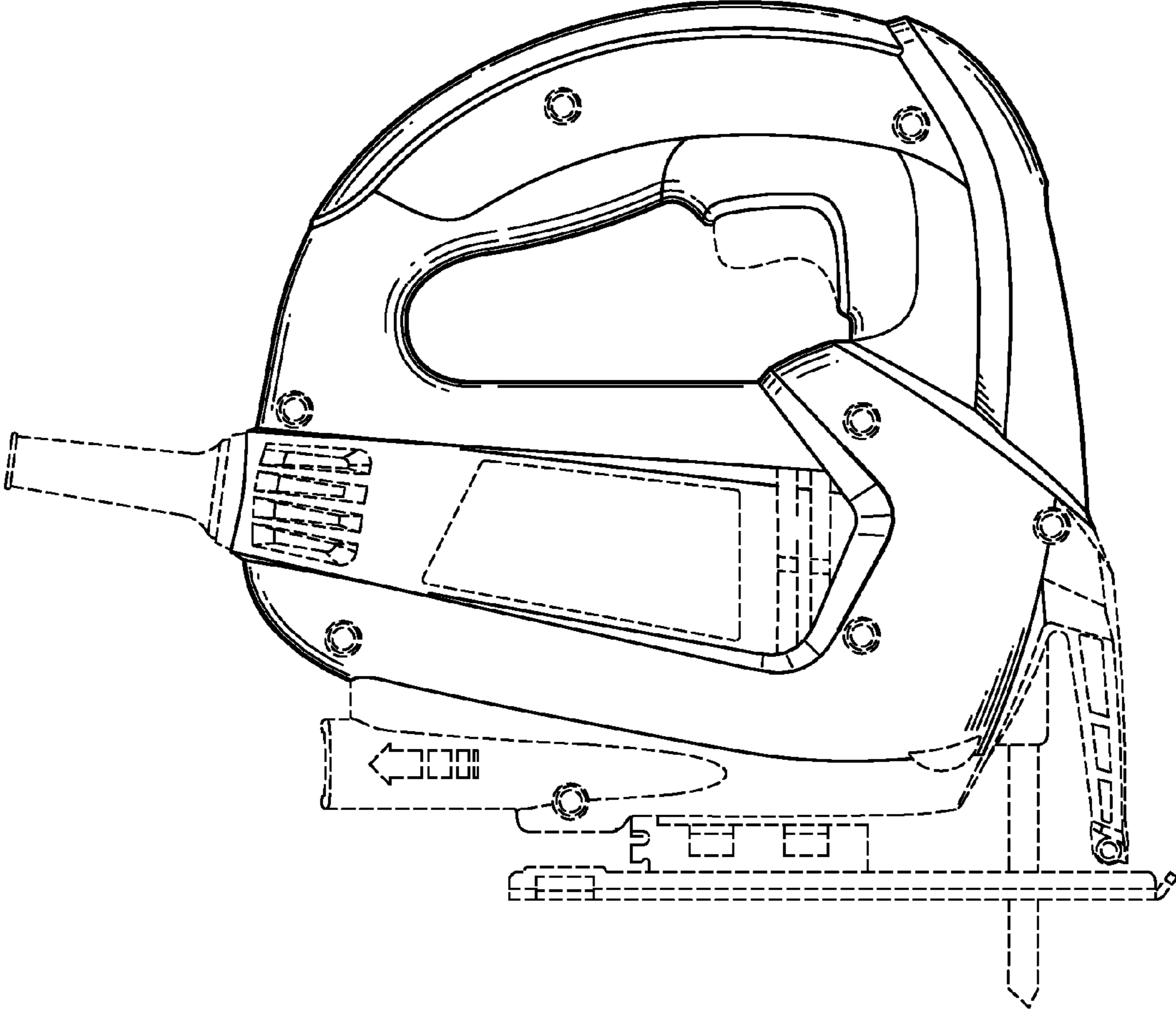
European Community Design Registration No. 000491170-0001; Registration date Mar. 7, 2006.

German Design Registration No. 40403290; filed May 28, 2004.

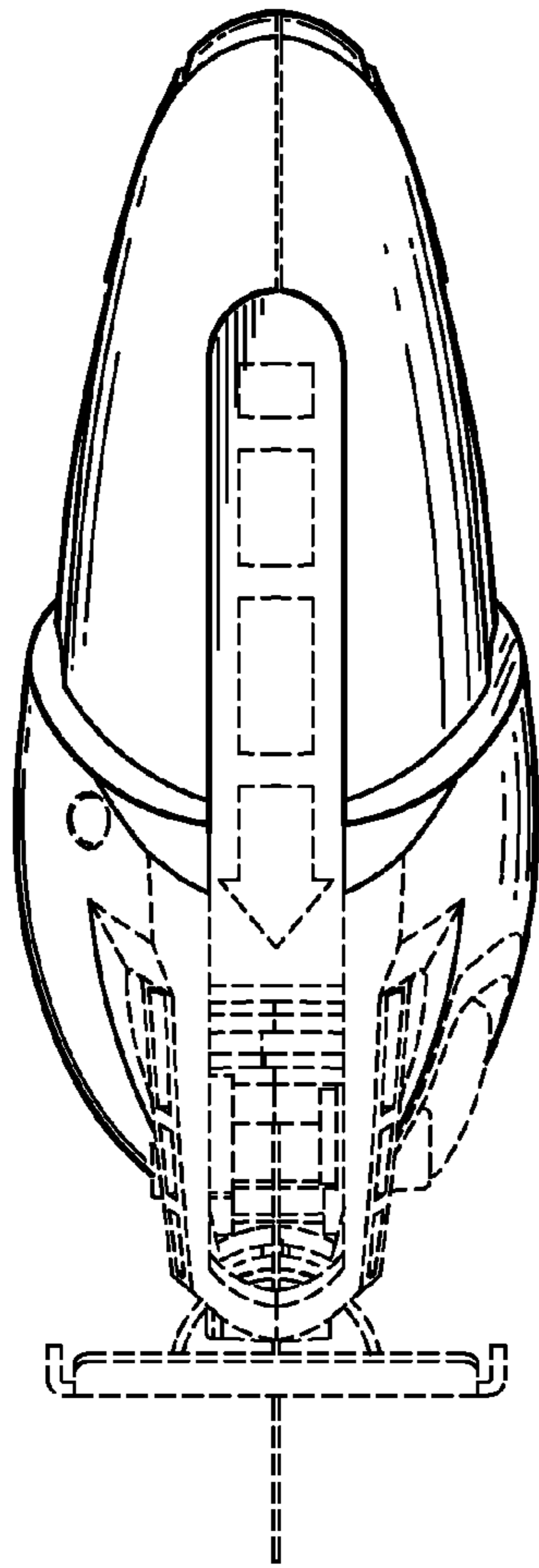
\* cited by examiner



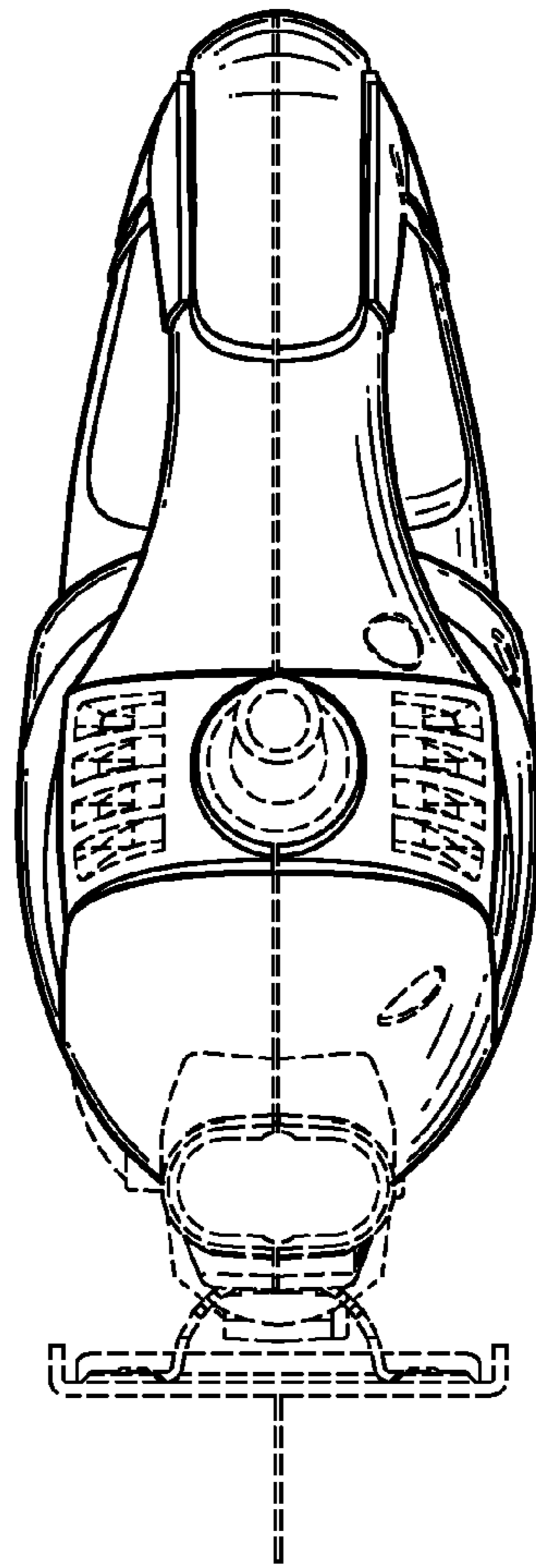
*FIG. 1*



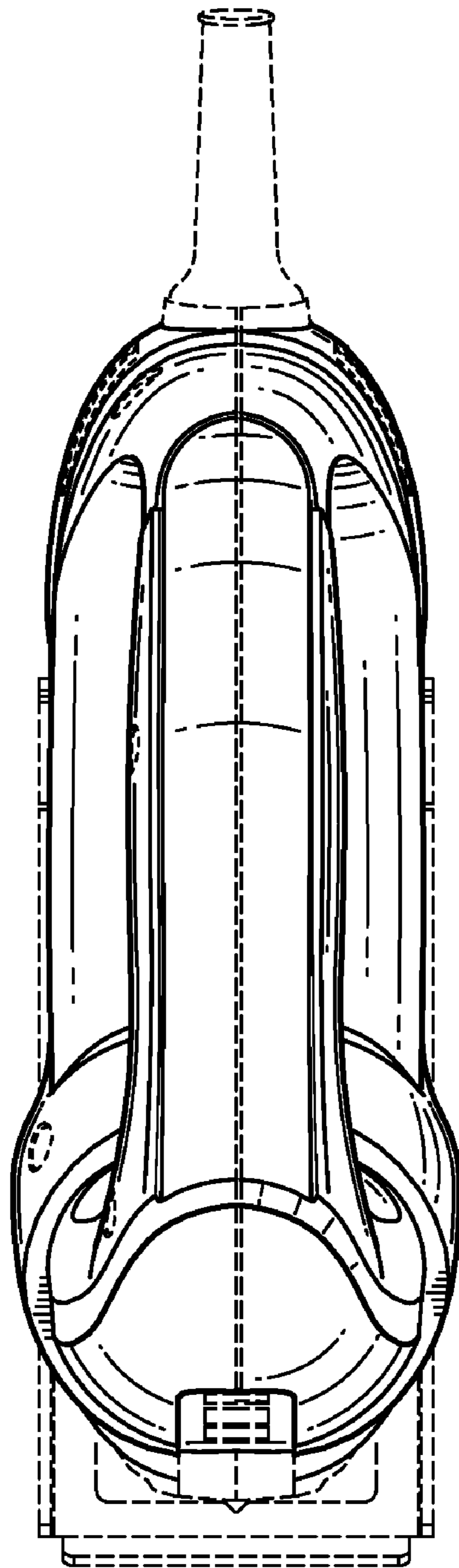
**FIG. 2**



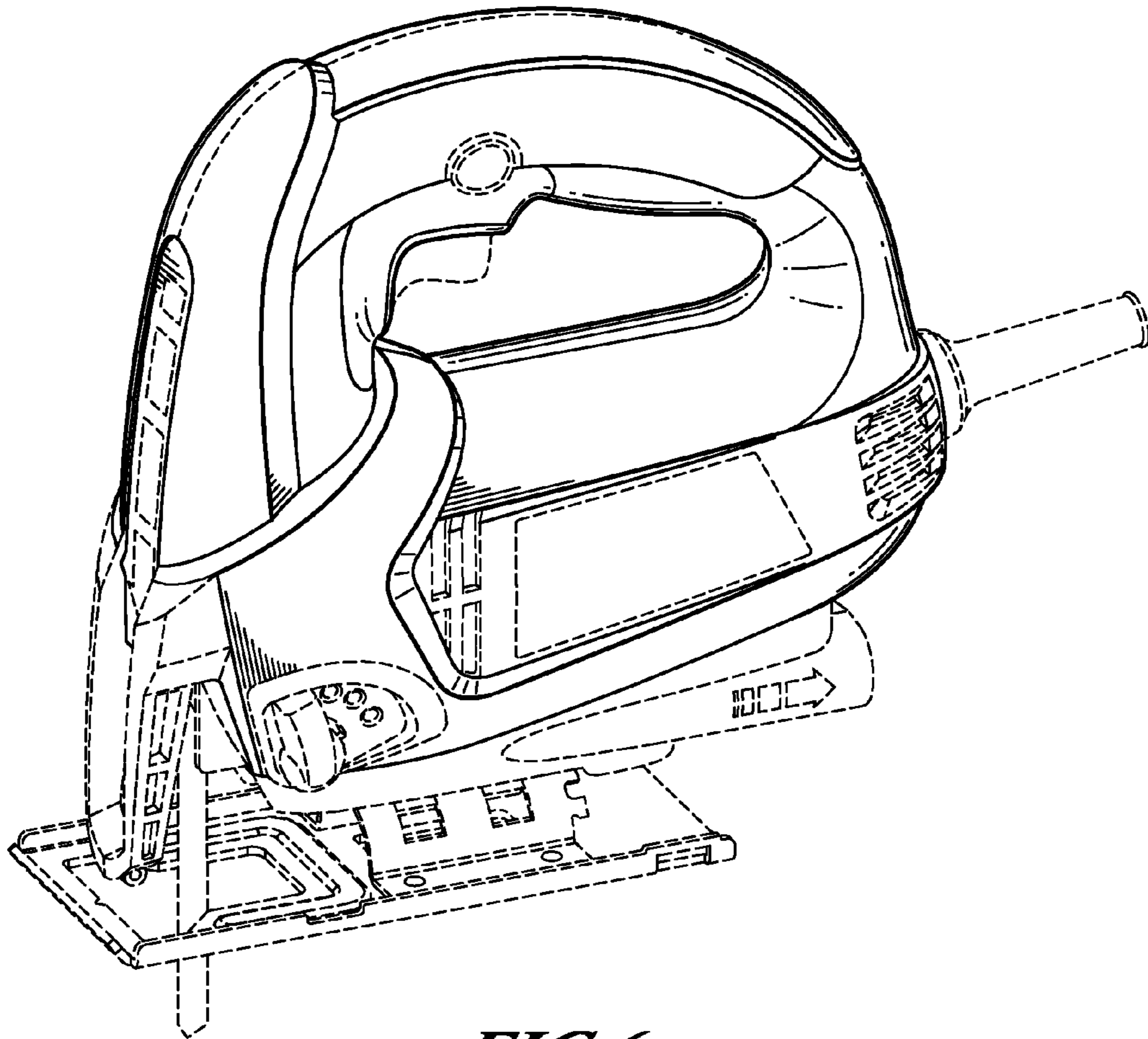
*FIG. 3*



*FIG. 4*



***FIG. 5***



*FIG. 6*