



US00D578361S

(12) **United States Design Patent**
Chen

(10) **Patent No.:** **US D578,361 S**

(45) **Date of Patent:** **** Oct. 14, 2008**

(54) **WRENCH**

(75) **Inventor:** **Tai-Hung Chen, Chang Hua Hsien**
(TW)

(73) **Assignee:** **Infar Industrial Co., Ltd., Chang Hua**
Hsien (TW)

(**) **Term:** **14 Years**

(21) **Appl. No.:** **29/304,438**

(22) **Filed:** **Feb. 29, 2008**

(51) **LOC (8) Cl.** **08-05**

(52) **U.S. Cl.** **D8/25**

(58) **Field of Classification Search** D8/21-29,
D8/44, 81-87, 102-107, 98, 99, 55, 93, 94;
81/60-63.2, 177.1, 177.85, 177.8, 489, 125.1,
81/121.1, 119-120, 176.1, 186, 177.9, 185.1,
81/176.2, 165, 170, 3.35, 58, 3.345, 155;
206/378; 16/429, 441, 124.6; 7/100, 138,
7/168, 157; D24/146

See application file for complete search history.

(56) **References Cited**

U.S. PATENT DOCUMENTS

6,295,898	B1 *	10/2001	Hsieh	81/177.8
6,745,650	B1 *	6/2004	Chang	81/177.8
6,971,290	B1 *	12/2005	Ybarra	81/177.2
7,036,403	B2 *	5/2006	Lin	81/177.8
7,082,864	B1 *	8/2006	Weber	81/184

7,104,164	B2 *	9/2006	Jirele et al.	81/124.6
7,131,356	B2 *	11/2006	Lin	81/180.1
D562,657	S *	2/2008	Hsieh	D8/29
D567,603	S *	4/2008	Chang	D8/28
2004/0261586	A1 *	12/2004	Chen	81/177.7
2005/0051004	A1 *	3/2005	Chen	81/177.8
2005/0274234	A1 *	12/2005	Lee	81/177.8

* cited by examiner

Primary Examiner—Raphael Barkai

Assistant Examiner—Randall H Gholson

(74) *Attorney, Agent, or Firm*—WPAT, P.C.; Anthony King

(57) **CLAIM**

The ornamental design for wrench, as shown and described.

DESCRIPTION

FIG. 1 is a perspective view of a wrench showing my new design;

FIG. 2 is a front view thereof;

FIG. 3 is a rear view thereof;

FIG. 4 is a left view thereof;

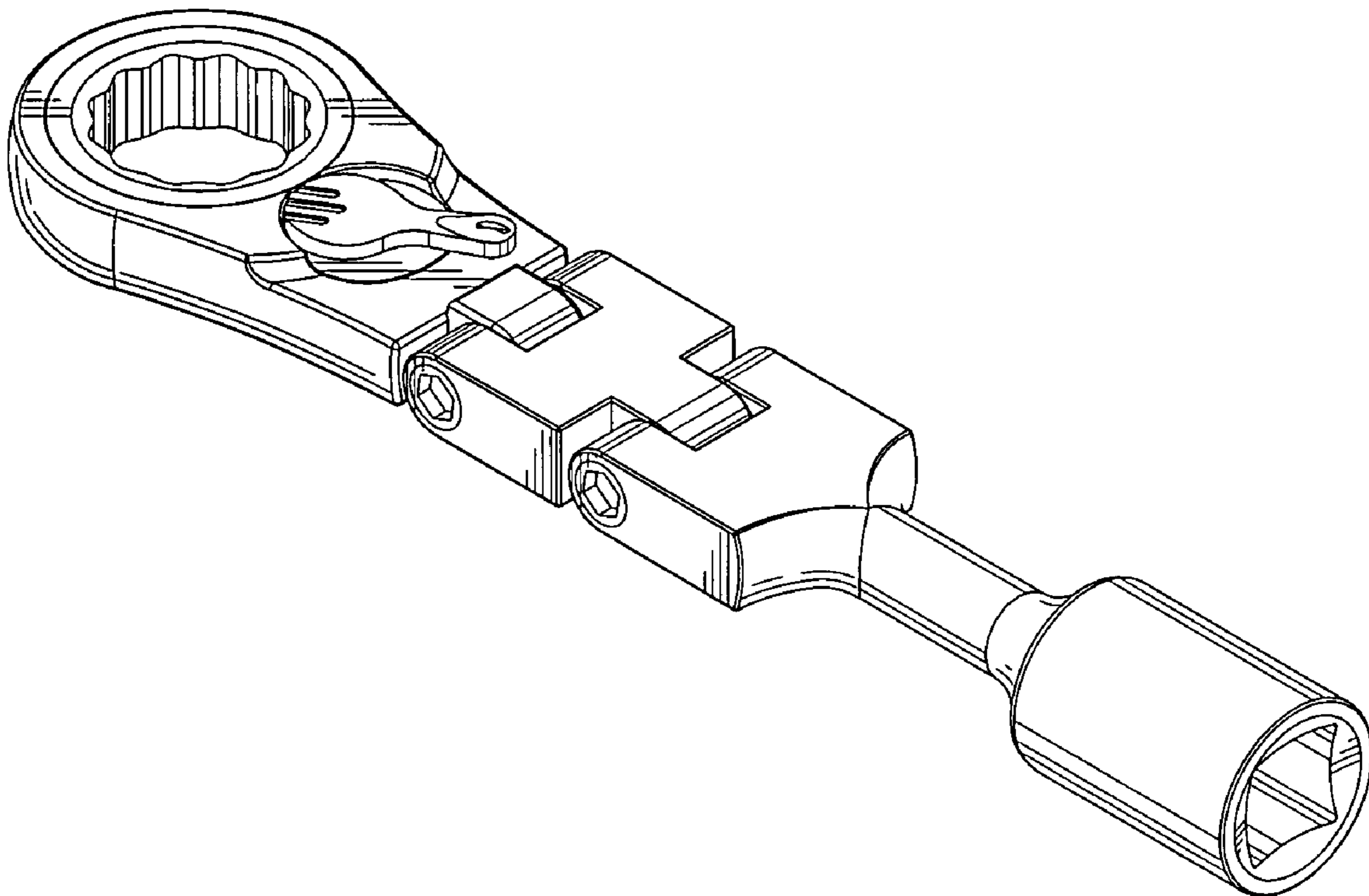
FIG. 5 is a right view thereof;

FIG. 6 is a top view thereof;

FIG. 7 is a bottom view thereof; and,

FIG. 8 is a perspective view of the wrench shown in FIG. 1 in an alternate position.

1 Claim, 4 Drawing Sheets



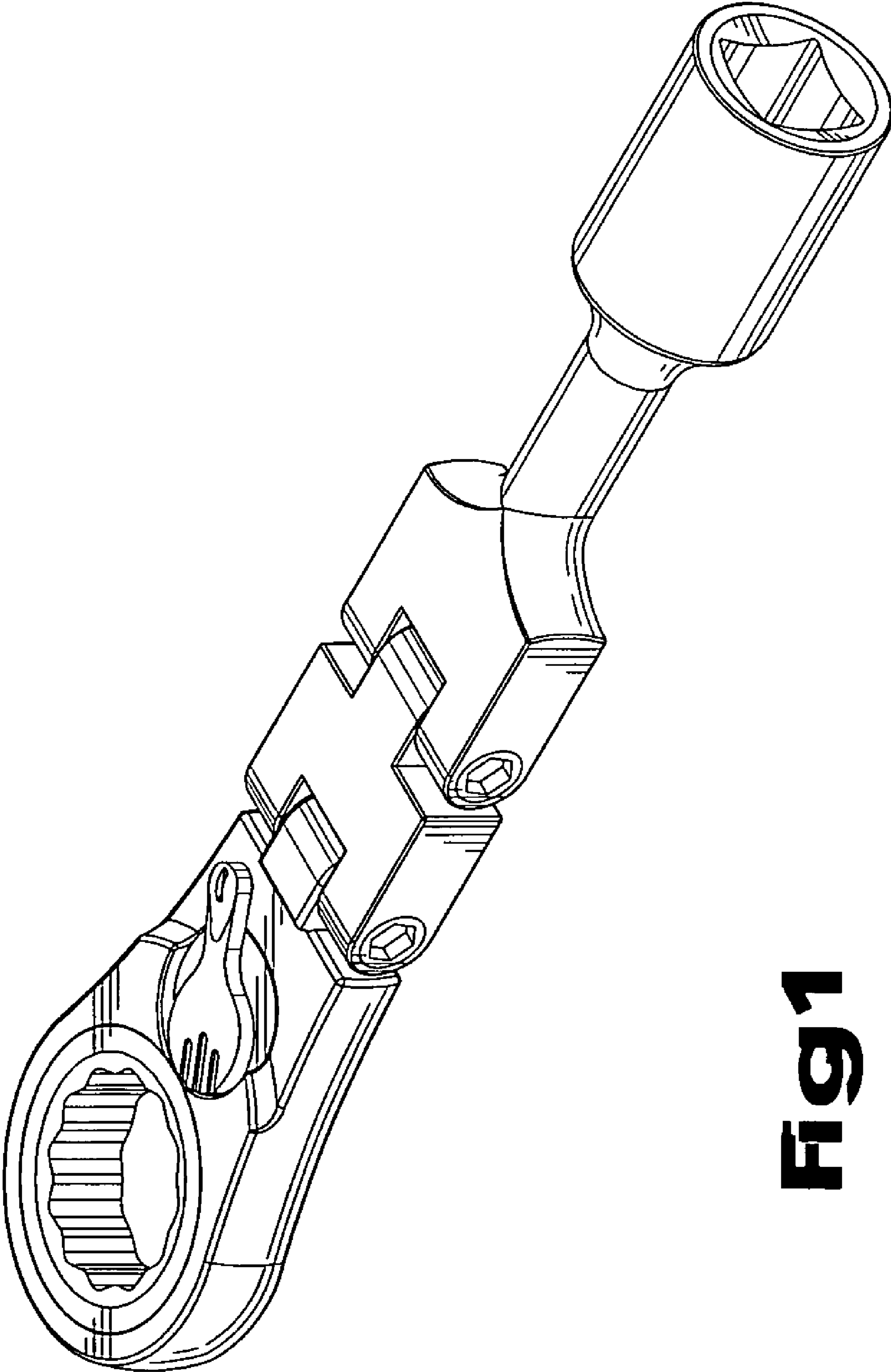


Fig 1

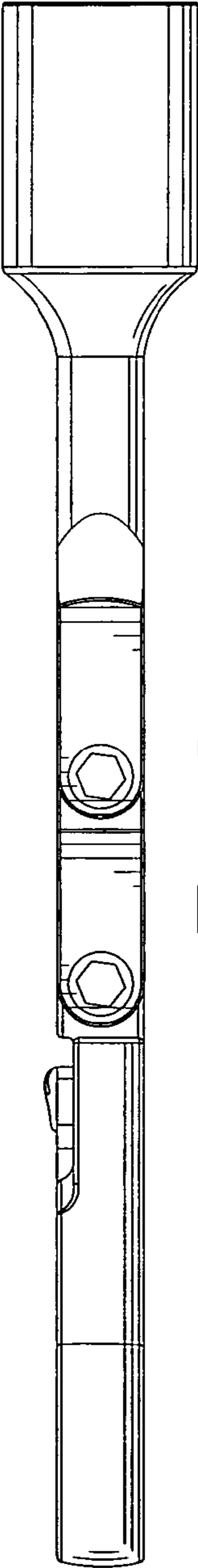


Fig 2

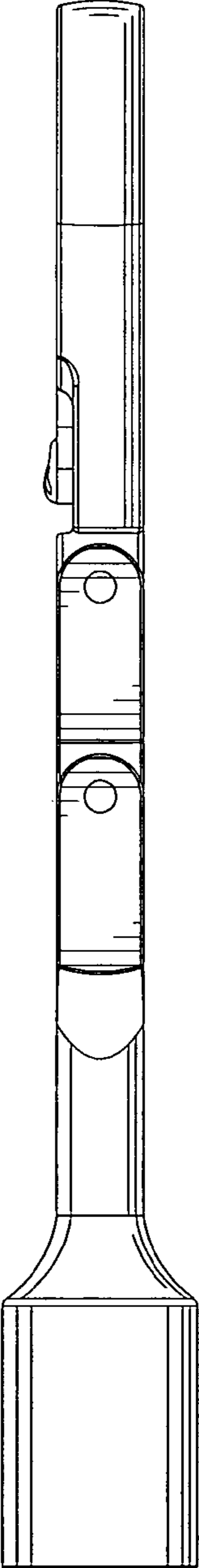


Fig 3

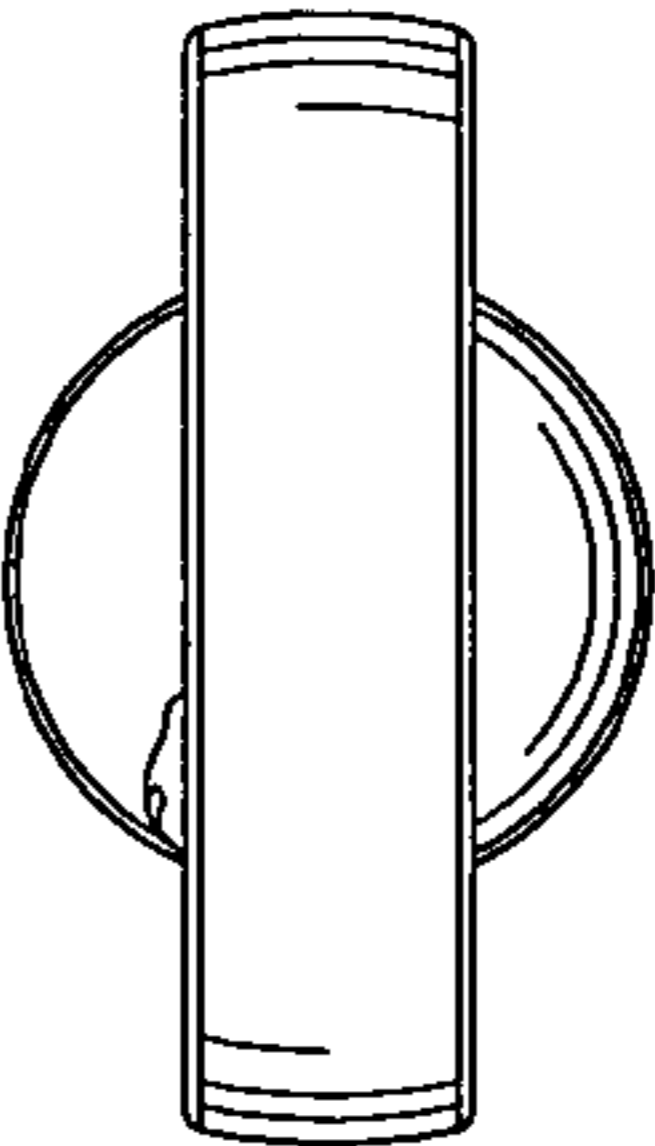


Fig 4

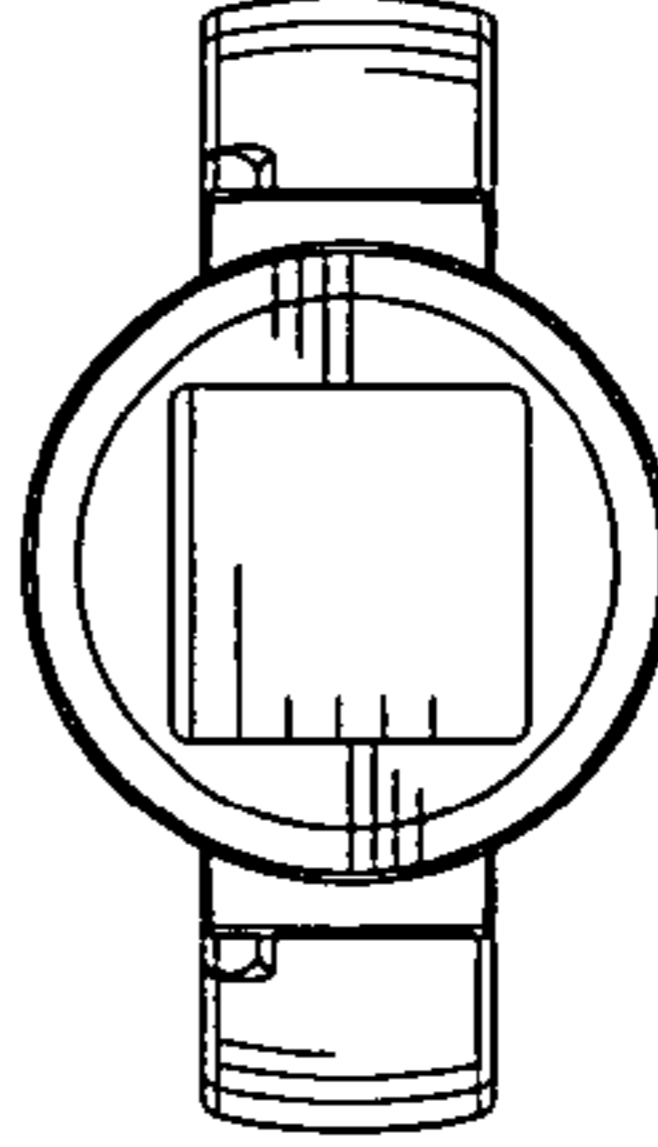


Fig 5

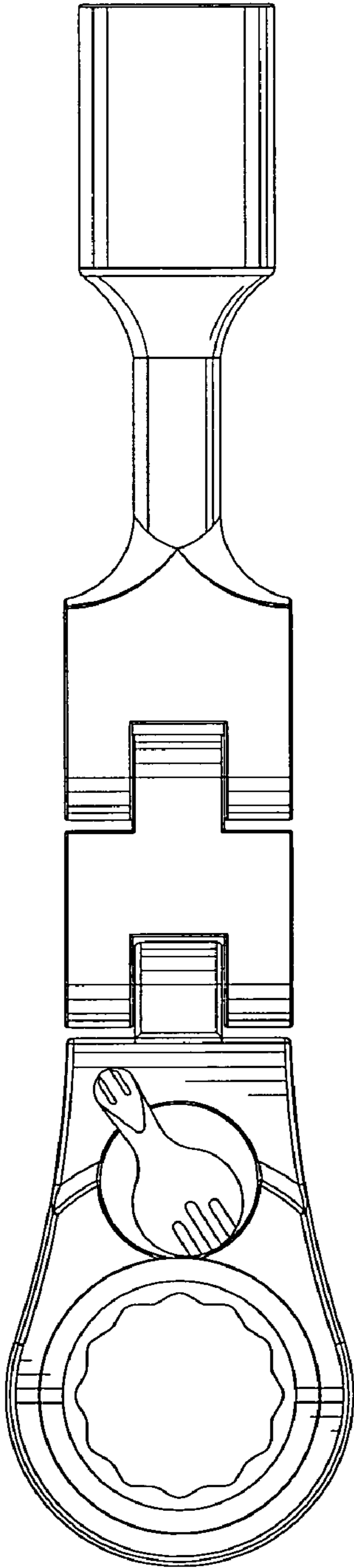


Fig 6

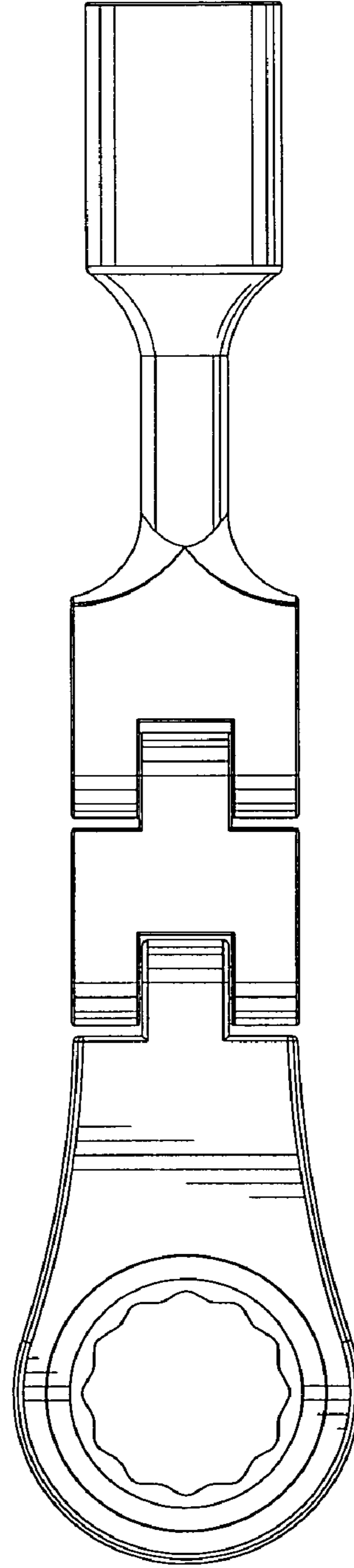


Fig 7

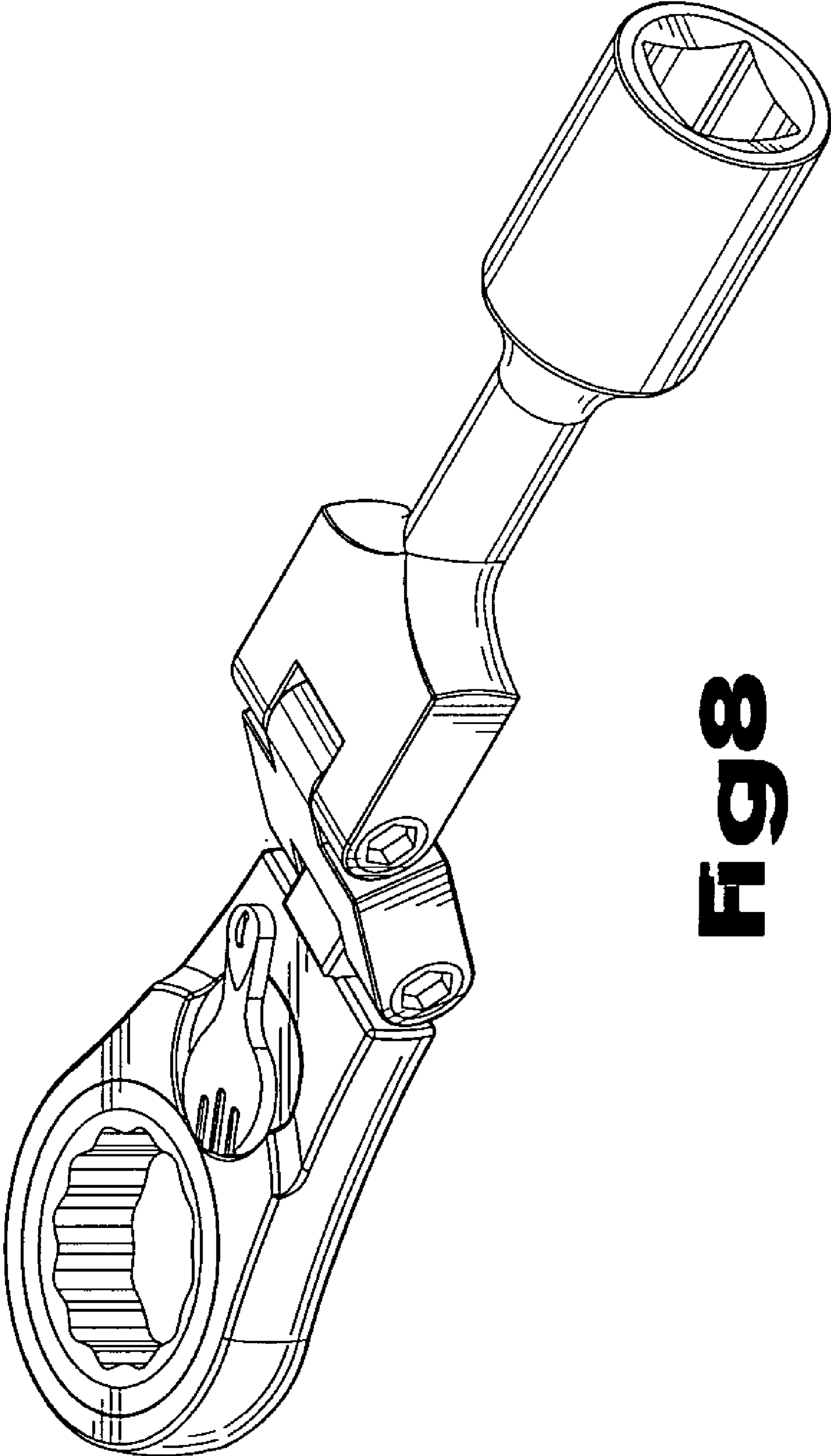


FIG 8