



US00D578352S

(12) **United States Design Patent**  
**Hauser**

(10) **Patent No.:** **US D578,352 S**  
(45) **Date of Patent:** **\*\* Oct. 14, 2008**

(54) **TRAY**  
(75) **Inventor:** **Lawrence M. Hauser**, Federal Way, WA (US)  
(73) **Assignee:** **Progressive International Corporation**, Kent, WA (US)  
(\*\*) **Term:** **14 Years**

D356,532 S \* 3/1995 Butzman ..... D12/133  
D358,965 S \* 6/1995 Meier et al. .... D7/554.3  
D363,002 S \* 10/1995 Douglas ..... D7/543  
D384,555 S \* 10/1997 Bradley ..... D7/545  
D408,682 S \* 4/1999 Costa ..... D7/354  
D418,017 S \* 12/1999 Henry ..... D7/545  
D429,442 S \* 8/2000 Laib ..... D7/387  
D522,804 S \* 6/2006 Vendl et al. .... D7/360  
D540,122 S \* 4/2007 Wasserman et al. .... D7/584  
D559,042 S \* 1/2008 de Groote et al. .... D7/602

(21) **Appl. No.:** **29/283,603**

\* cited by examiner

(22) **Filed:** **Aug. 17, 2007**

*Primary Examiner*—Charles A. Rademaker

*Assistant Examiner*—Charles D Hanson

(51) **LOC (8) Cl.** ..... **07-01**

(52) **U.S. Cl.** ..... **D7/552.2; D7/587**

(74) *Attorney, Agent, or Firm*—Black Lowe & Graham, PLLC

(58) **Field of Classification Search** ..... D7/360,  
D7/392.1, 538, 542, 545, 546, 555, 560, 601,  
D7/602, 543, 548, 552.1–554.4, 584, 586–588,  
D7/394, 585, 565, 571; D9/430, 431, 433,  
D9/702, 703, 655–657; 220/608, 574; 211/74;  
229/106

(57) **CLAIM**

The ornamental design for a tray, as shown and described.

See application file for complete search history.

**DESCRIPTION**

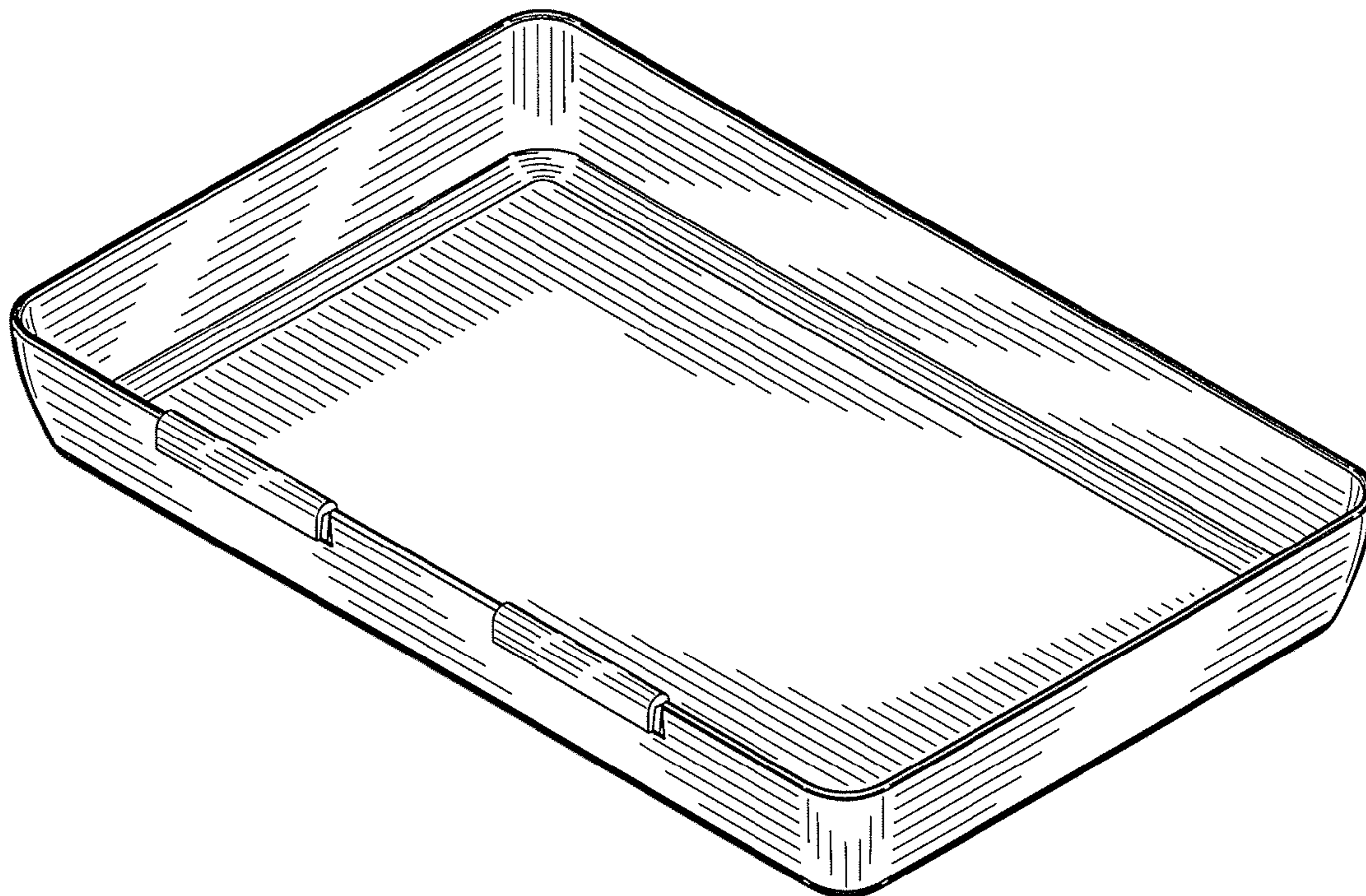
(56) **References Cited**

FIG. 1 is a top view of a tray showing my new design;  
FIG. 2 is a front view thereof;  
FIG. 3 is a bottom view thereof;  
FIG. 4 is a rear side view thereof;  
FIG. 5 is a left side view thereof, the right side being a mirror image; and,  
FIG. 6 is a perspective view thereof.

**U.S. PATENT DOCUMENTS**

D212,821 S \* 11/1968 Benes ..... D7/545  
D261,715 S \* 11/1981 Daenen ..... D7/586  
D262,104 S \* 12/1981 Simpson ..... D13/119  
D284,156 S \* 6/1986 Dodd et al. .... D7/558  
D288,396 S \* 2/1987 Ritman ..... D7/586  
D340,617 S \* 10/1993 Douglas ..... D7/543  
D350,669 S \* 9/1994 Conti ..... D7/360

**1 Claim, 3 Drawing Sheets**



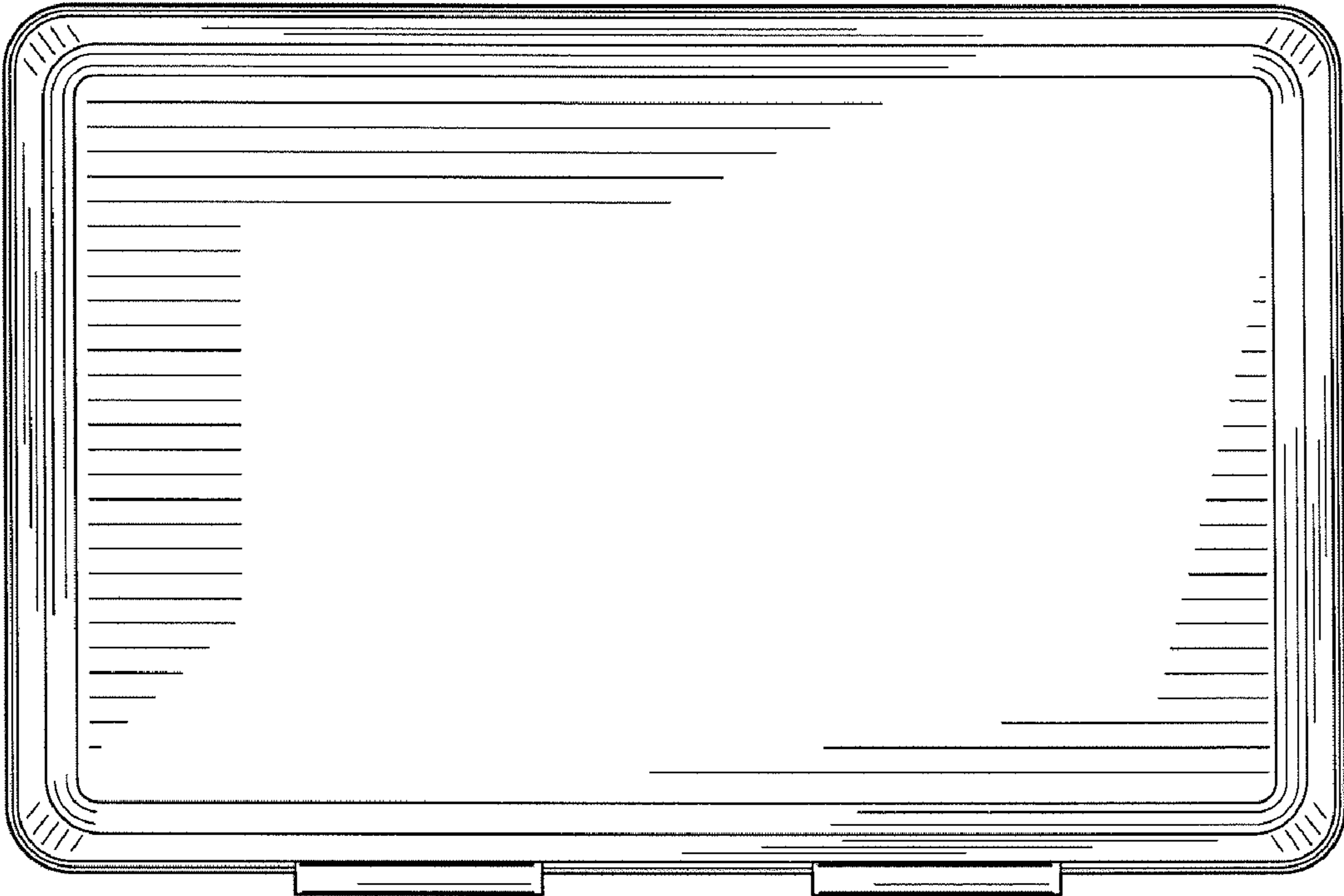


FIG.1

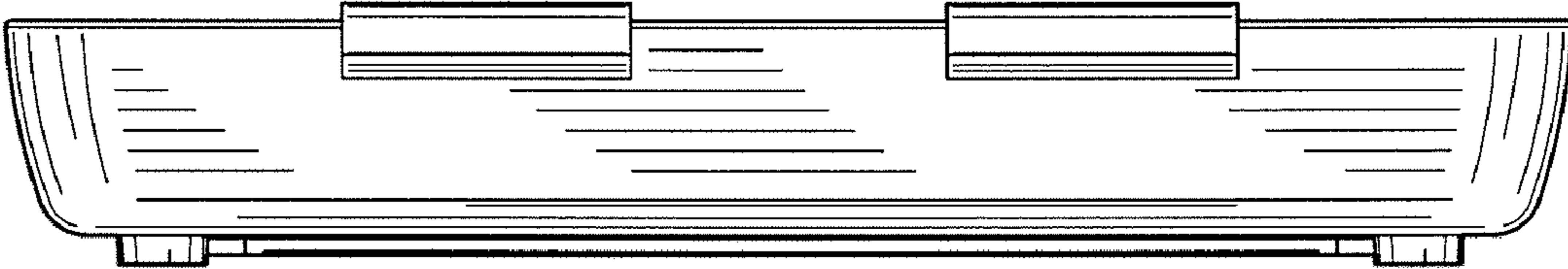


FIG.2

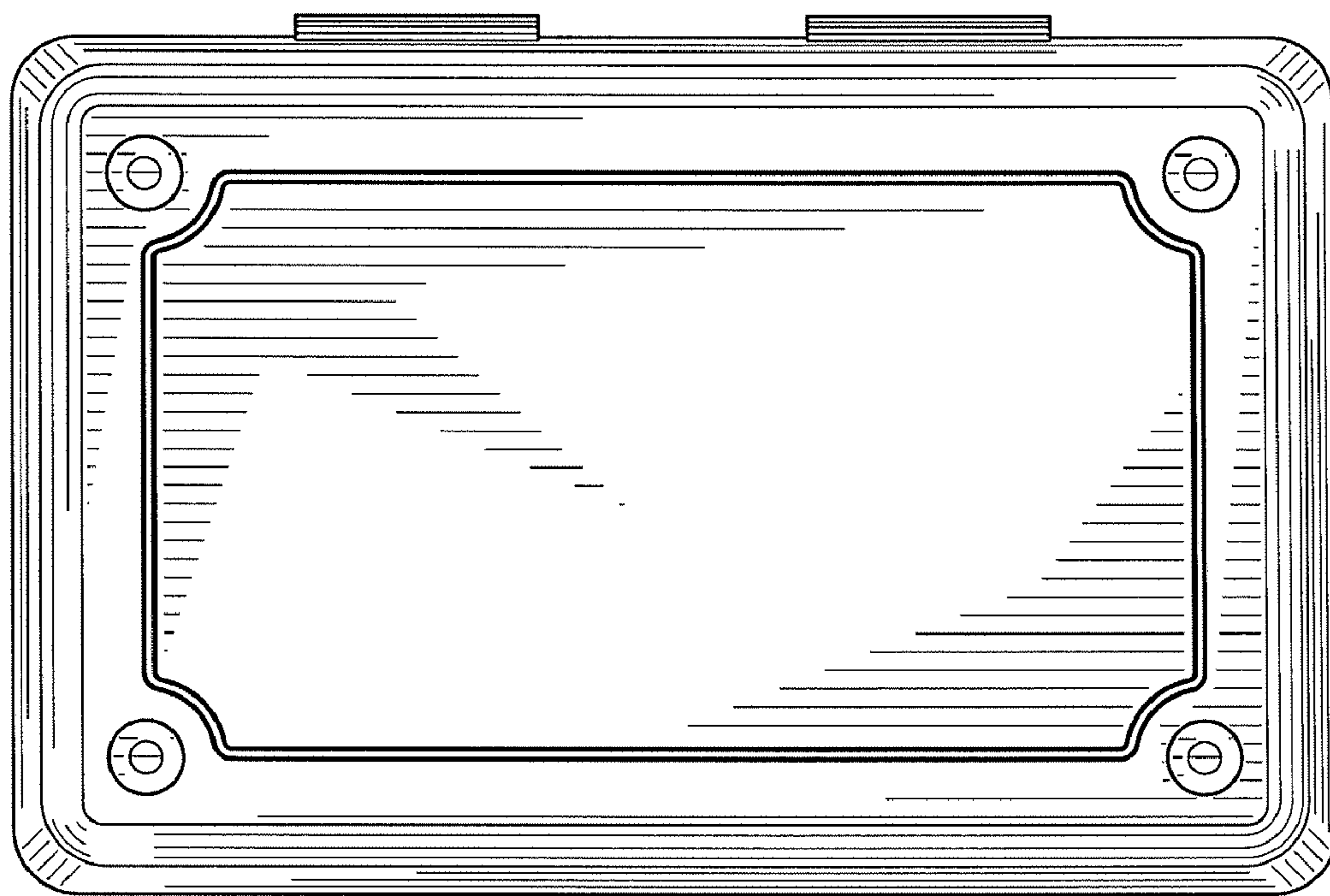


FIG. 3

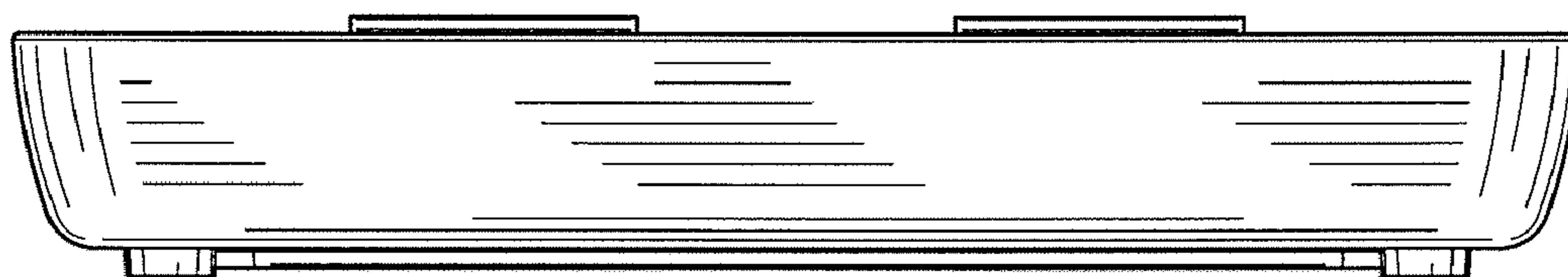


FIG. 4



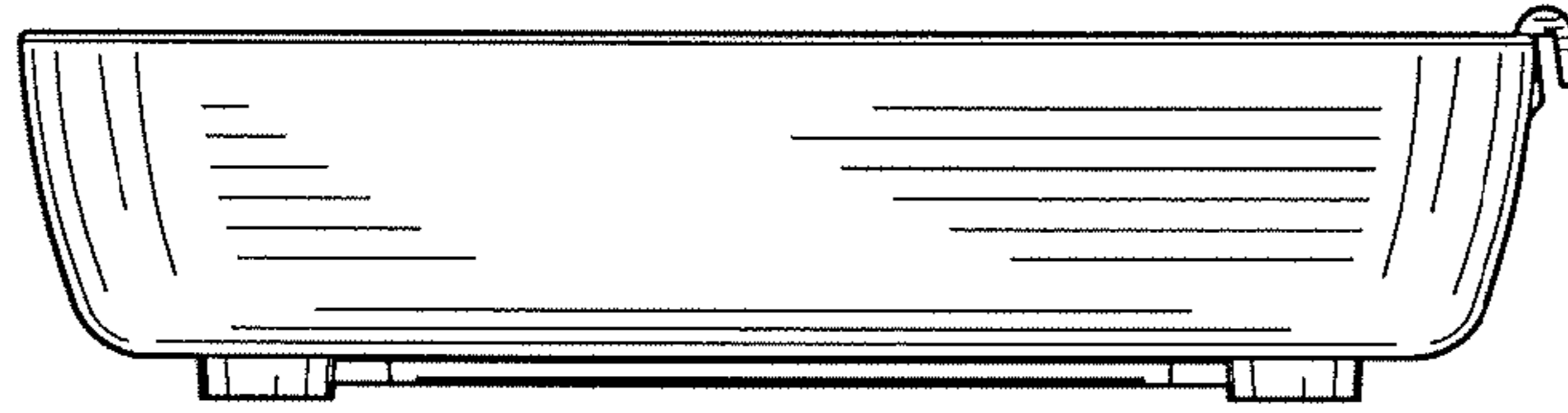


FIG. 5

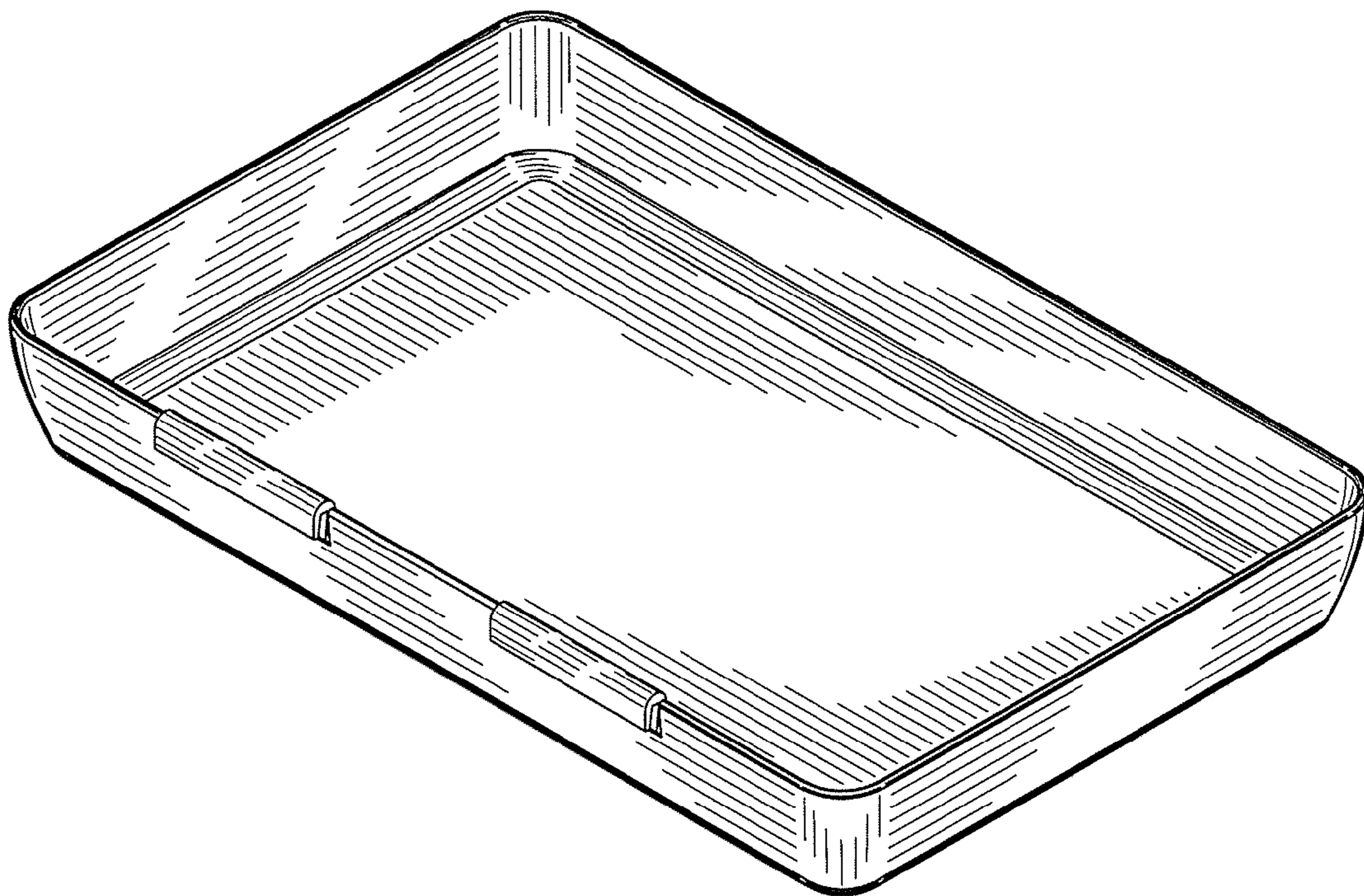


FIG. 6