



US00D578351S

(12) **United States Design Patent**
Pearson

(10) **Patent No.:** **US D578,351 S**

(45) **Date of Patent:** **** Oct. 14, 2008**

(54) **MUG**

(75) **Inventor:** **Arthur Scott Pearson**, Upland, CA
(US)

(73) **Assignee:** **Sweda Company LLC**

(**) **Term:** **14 Years**

(21) **Appl. No.:** **29/292,275**

(22) **Filed:** **Oct. 6, 2007**

(51) **LOC (8) Cl.** **07-01**

(52) **U.S. Cl.** **D7/536; D7/533; D7/509**

(58) **Field of Classification Search** D7/536,
D7/533, 509, 500, 538, 510, 511, 540, 523,
D7/532, 396.2, 602, 619.1, 622, 524, 535;
D9/500, 516; 215/DIG. 7, 387, 43, 363;
220/592.16, 592.17, 710.5, 703, 669; 206/217
See application file for complete search history.

(56) **References Cited**

U.S. PATENT DOCUMENTS

D28,181 S * 1/1898 Heisey D7/523
D202,643 S * 10/1965 Hoyt, Jr. D7/536
D365,965 S * 1/1996 Yeh D7/536
D511,072 S * 11/2005 Trombly D7/533

D547,612 S * 7/2007 Pao D7/523
D550,035 S * 9/2007 Tien D7/510
7,306,113 B2 * 12/2007 El-Saden et al. 220/592.17

* cited by examiner

Primary Examiner—Philip Hyder
Assistant Examiner—Cynthia Underwood
(74) *Attorney, Agent, or Firm*—Clement Cheng

(57) **CLAIM**

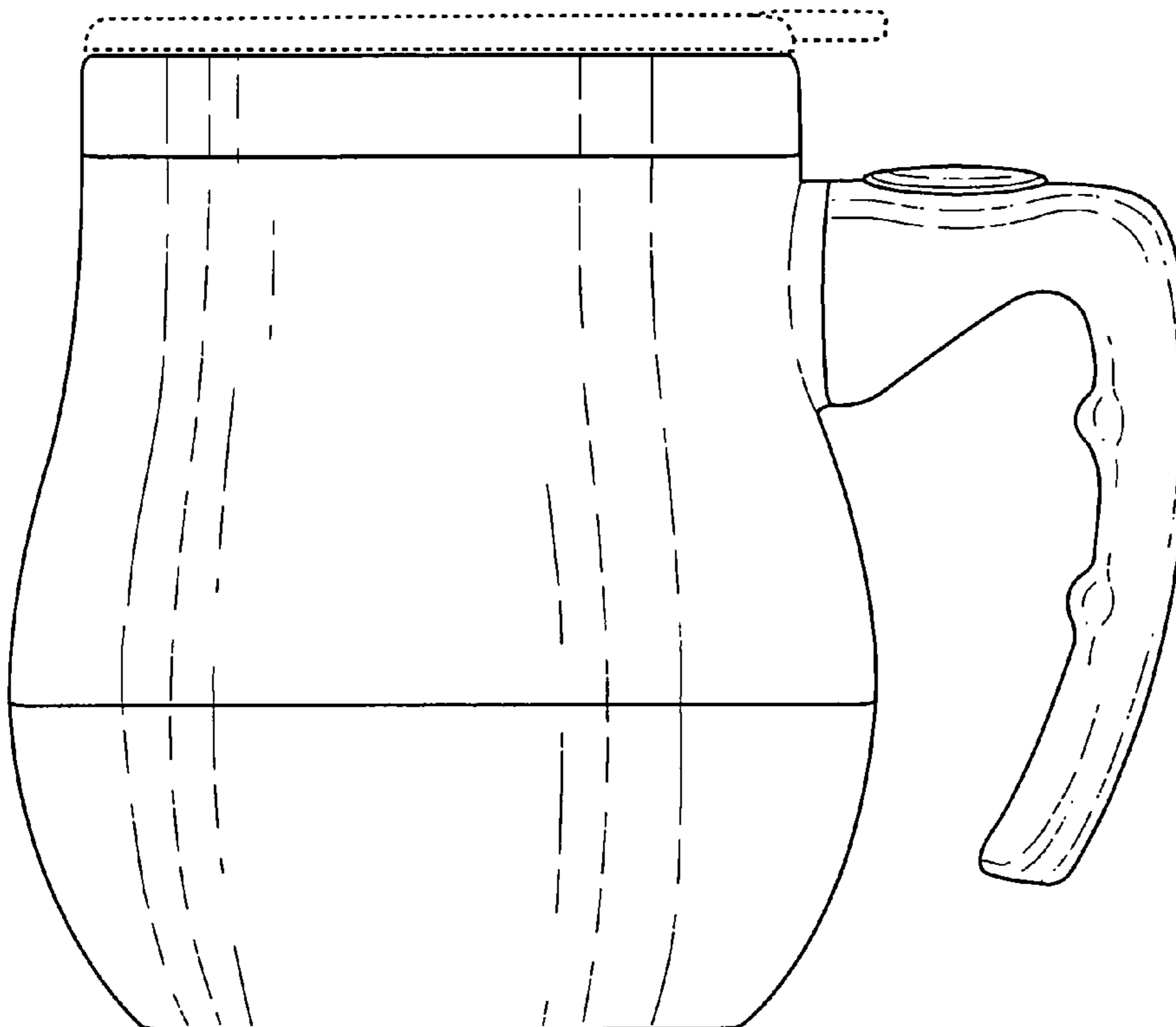
The ornamental design for a mug, as shown and described.

DESCRIPTION

FIG. 1 is a perspective view of a mug showing my new design;
FIG. 2 is a front view thereof;
FIG. 3 is a rear side view thereof;
FIG. 4 is a left side view thereof;
FIG. 5 is a right side view thereof;
FIG. 6 is a top view thereof; and,
FIG. 7 is a bottom view.

The broken line showing of the lid is included for the purpose of illustrating environmental structure and forms no part of the claimed design.

1 Claim, 6 Drawing Sheets



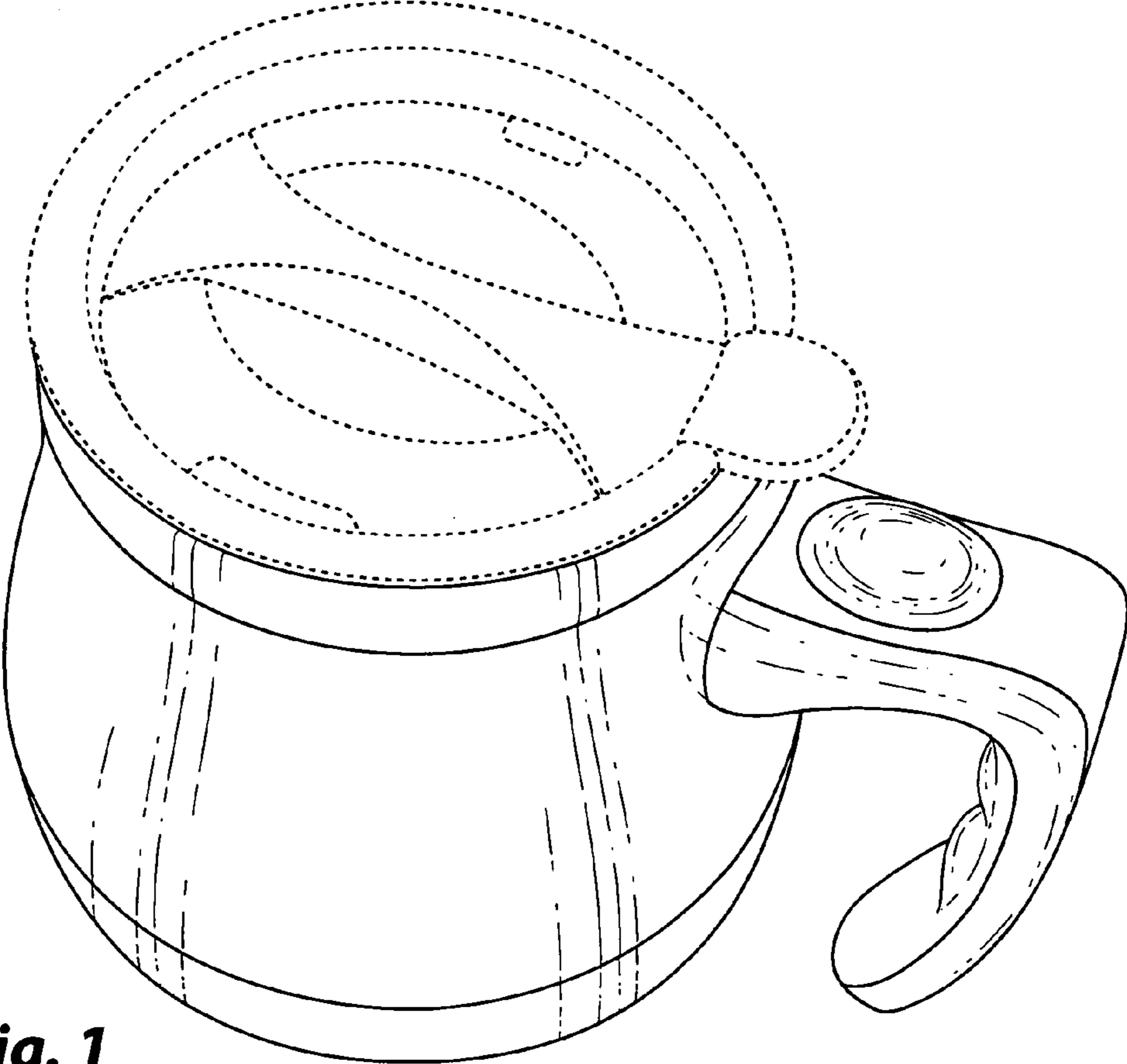


Fig. 1

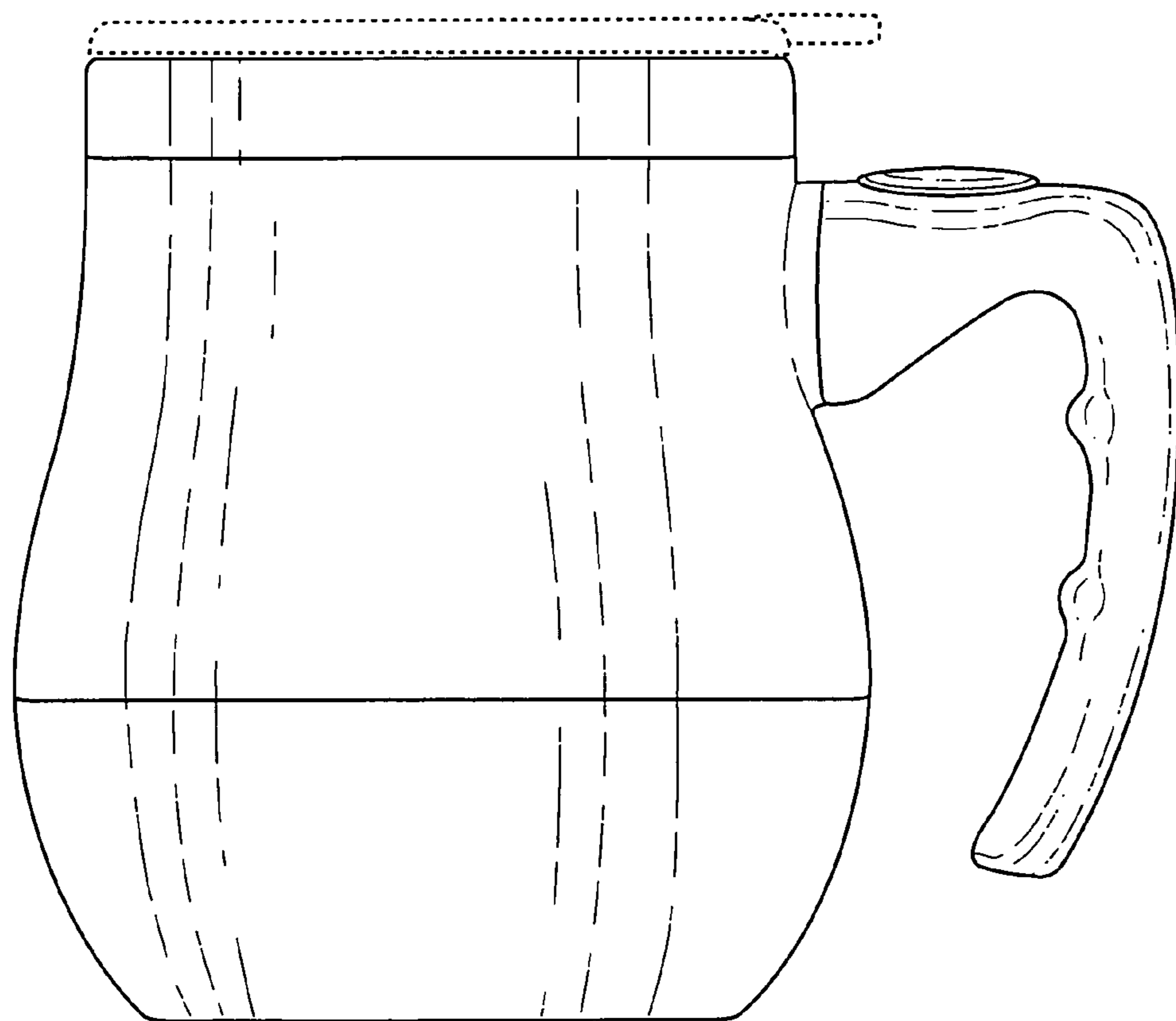


Fig. 2

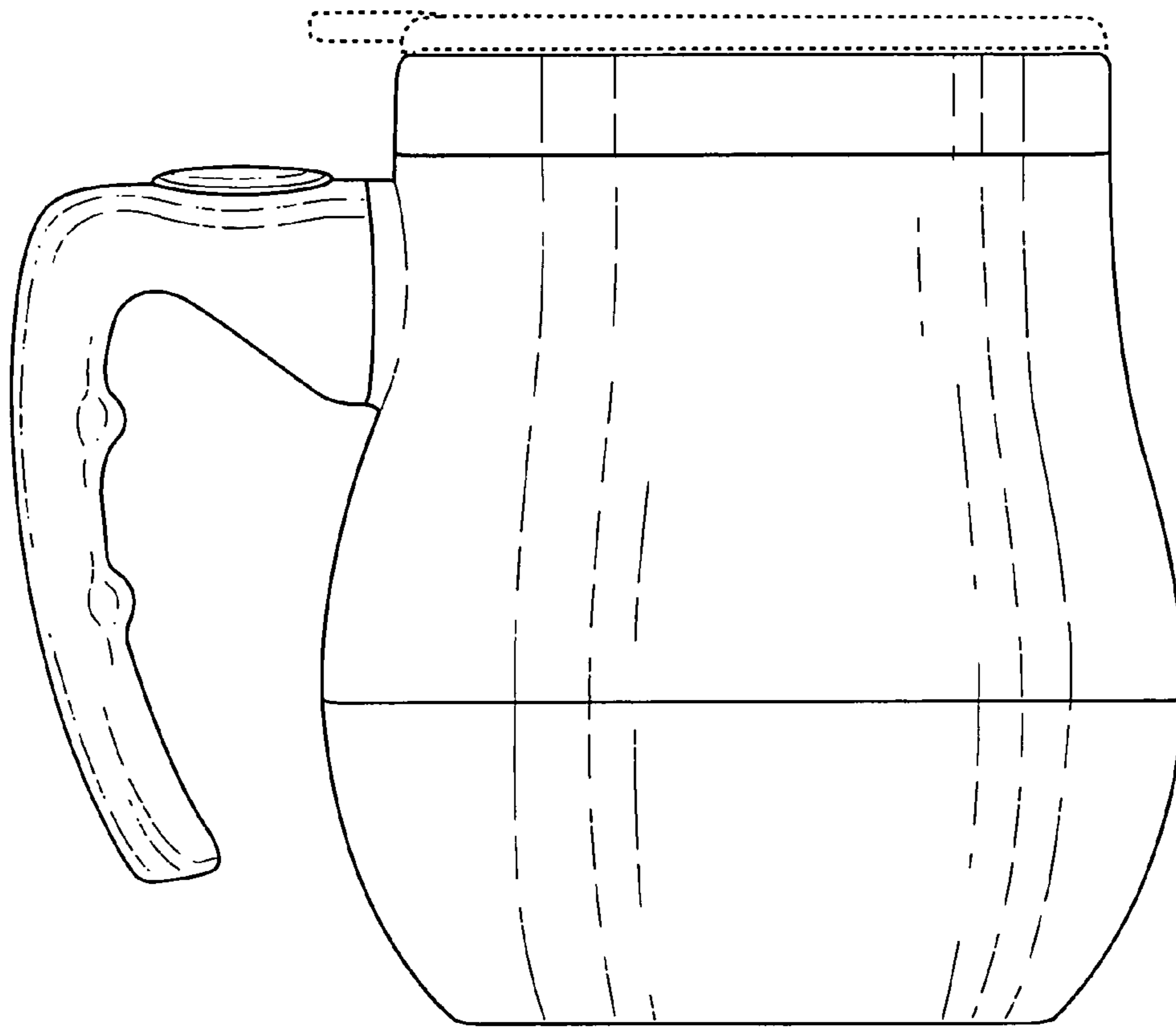


Fig. 3

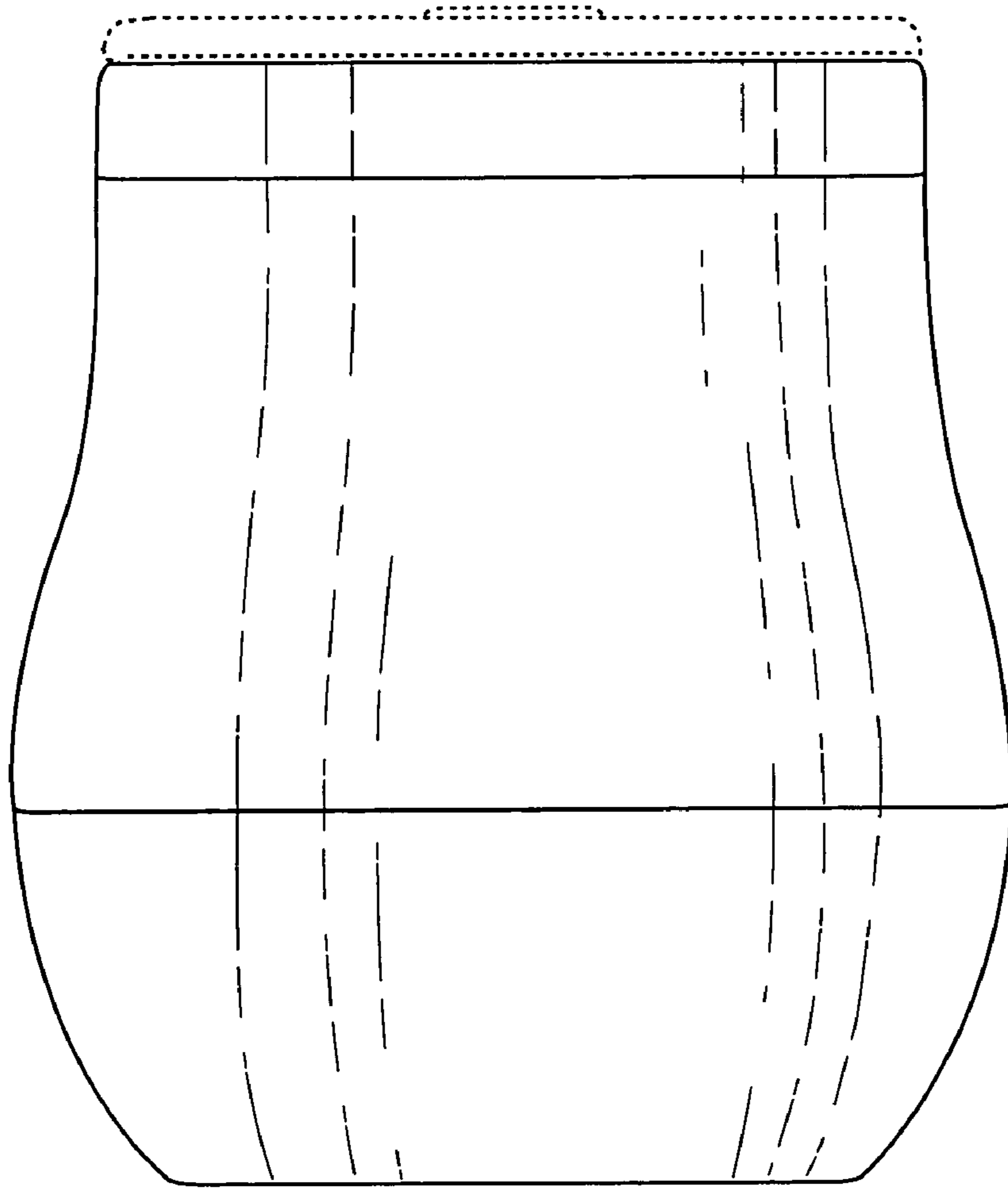


Fig. 4

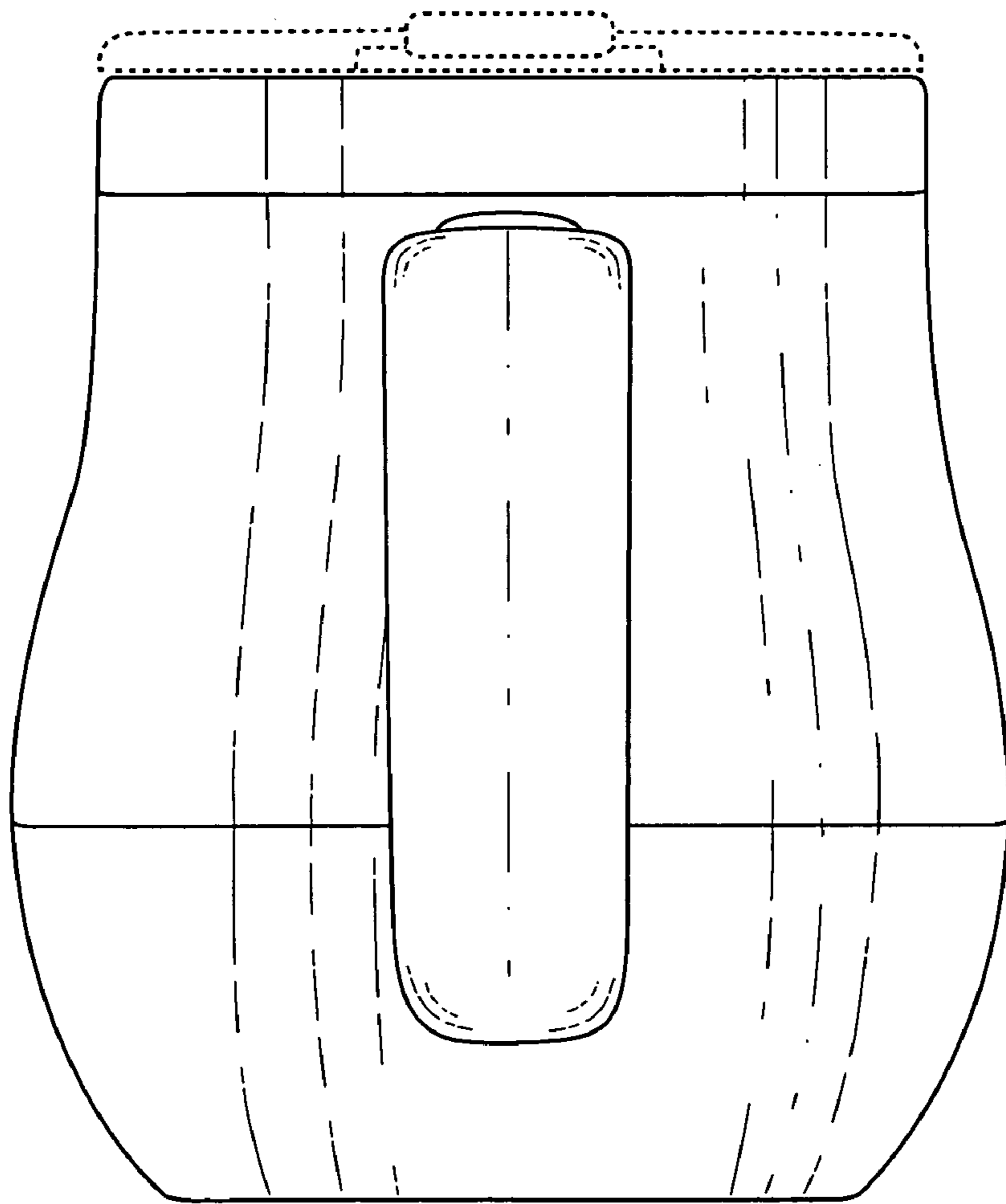


Fig. 5

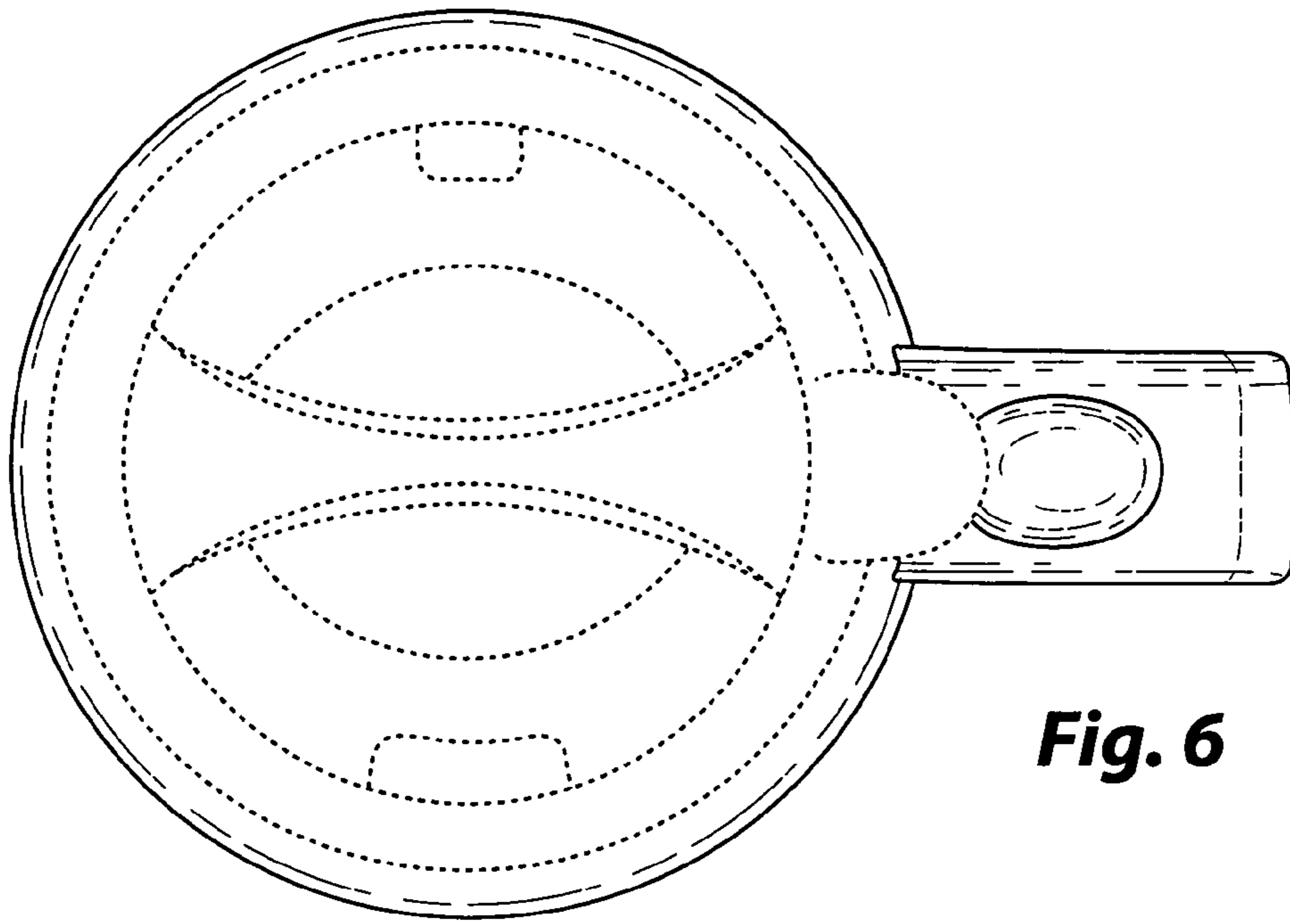


Fig. 6

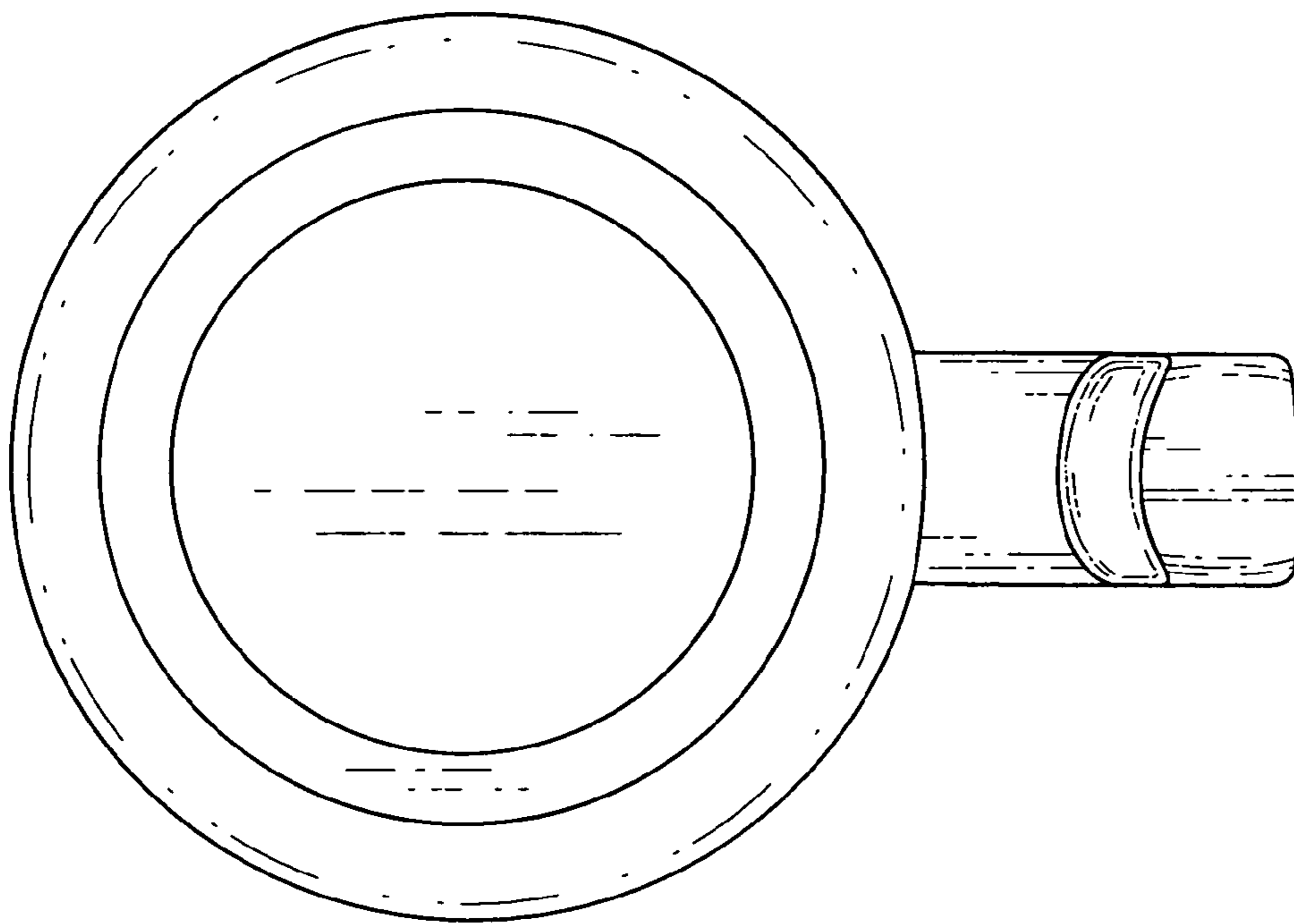


Fig. 7