



US00D578348S

(12) **United States Design Patent**
Liu

(10) **Patent No.:** **US D578,348 S**
(45) **Date of Patent:** **** Oct. 14, 2008**

(54) **BASE OF A CUP**

(76) Inventor: **Ming-Tung Liu**, 2F, No. 7, Alley 45,
Lane 236, Sec. 5, Jhongsiao E. Rd., Sinyi
Dist., Taipei (TW)

(**) Term: **14 Years**

(21) Appl. No.: **29/280,645**

(22) Filed: **Jun. 4, 2007**

(51) **LOC (8) Cl.** **07-01**

(52) **U.S. Cl.** **D7/396.6; D7/396.2; D7/387**

(58) **Field of Classification Search** D7/407,
D7/398, 397, 396.6, 396.1, 387, 558, 900,
D7/388, 396, 624.1, 619.1, 619.2; D8/349;
D9/434; D23/209; D11/143, 164; 47/67;
206/502; 215/379, 394; 220/606, 23.83;
222/566, 185.1; 224/483, 566; 248/309.1

See application file for complete search history.

(56) **References Cited**

U.S. PATENT DOCUMENTS

- 3,357,590 A * 12/1967 Safford 220/23.83
- D226,215 S * 1/1973 Hillis D7/624.1
- 5,273,182 A * 12/1993 Laybourne 220/740
- D346,764 S * 5/1994 Sellers D11/164
- D369,941 S * 5/1996 Ramina D7/387
- D397,062 S * 8/1998 Hollington D11/164
- D472,145 S * 3/2003 Nottingham et al. D9/443
- D502,052 S * 2/2005 Meade D7/396.2

- 6,889,948 B2 * 5/2005 Melancon et al. 248/309.1
- D529,838 S * 10/2006 Boling D11/164
- 2007/0003739 A1 * 1/2007 Peterson 428/174
- 2007/0251955 A1 * 11/2007 Green 222/185.1

* cited by examiner

Primary Examiner—Philip Hyder
Assistant Examiner—Cynthia Underwood
(74) *Attorney, Agent, or Firm*—patenttm.us

(57) **CLAIM**

The ornamental design for a base of a cup, as shown and described.

DESCRIPTION

FIG. 1 is a perspective view of a base of a cup showing my new design;

FIG. 2 is a front view thereof;

FIG. 3 is a rear view thereof;

FIG. 4 is a right side view thereof;

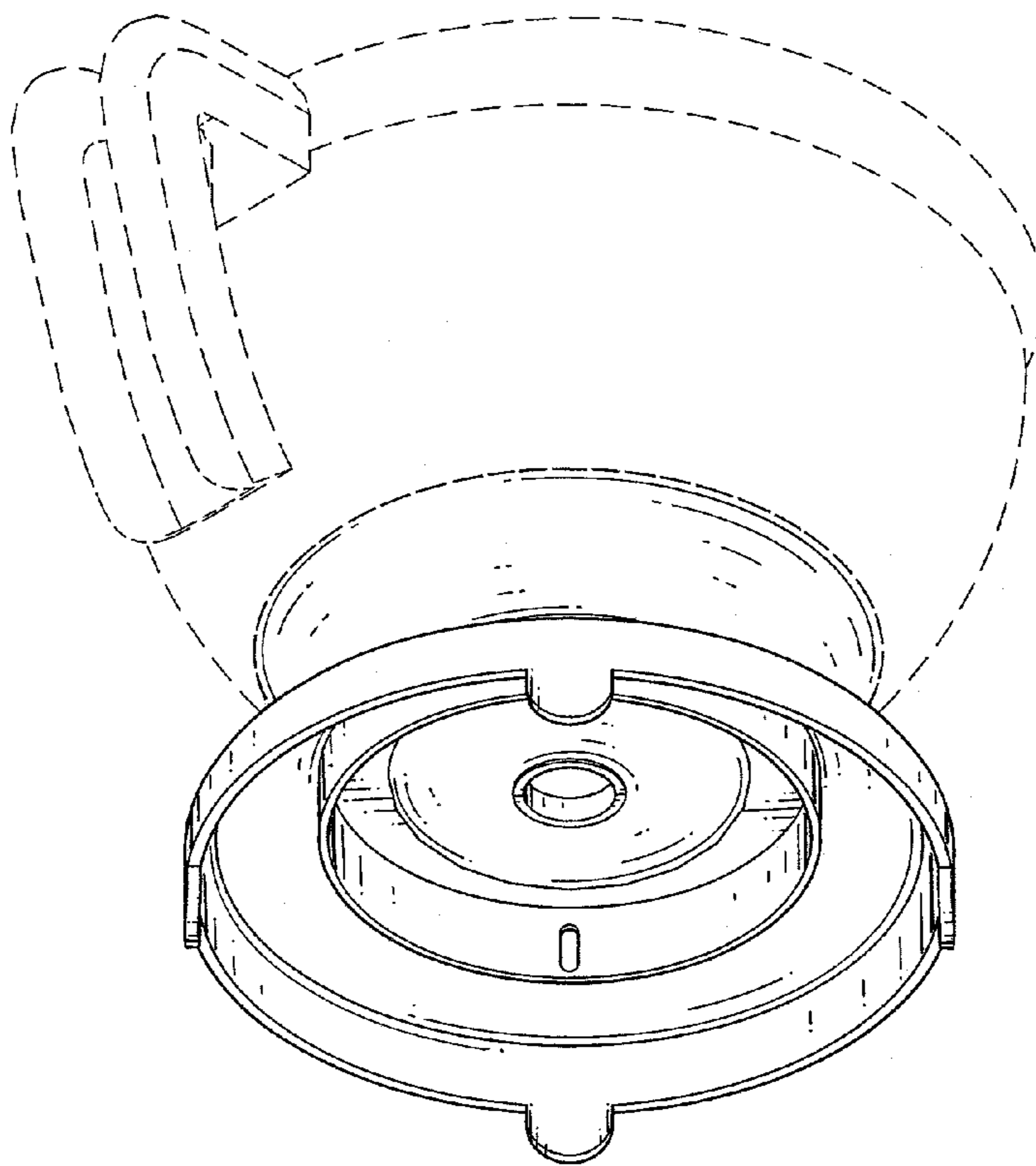
FIG. 5 is a left side view thereof;

FIG. 6 is a top view thereof; and,

FIG. 7 is a bottom view thereof.

The upper portions of the cup in FIGS. 1–7 are shown in broken lines for illustrative purposes only and form no part of the claimed design.

1 Claim, 4 Drawing Sheets



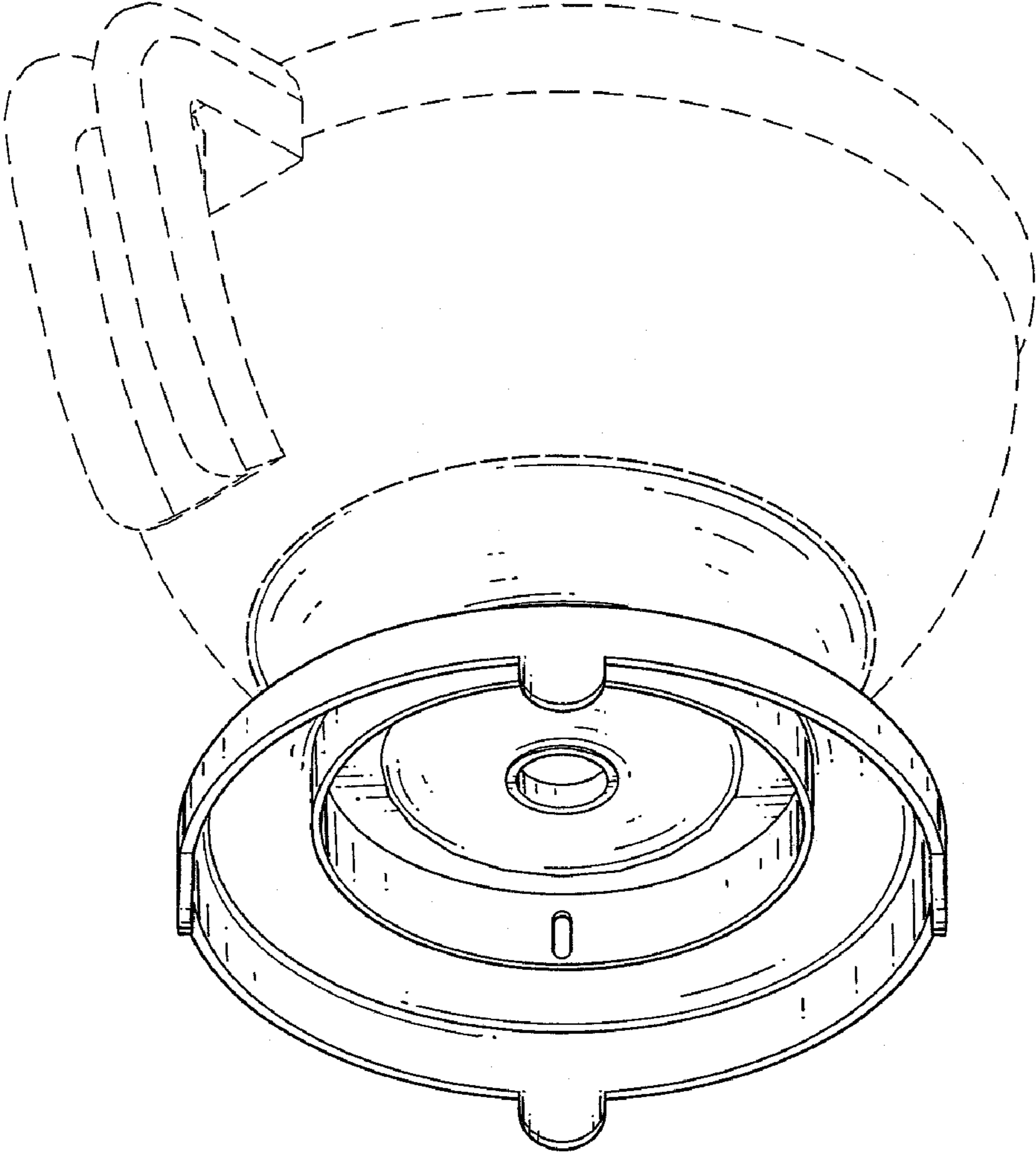


FIG. 1

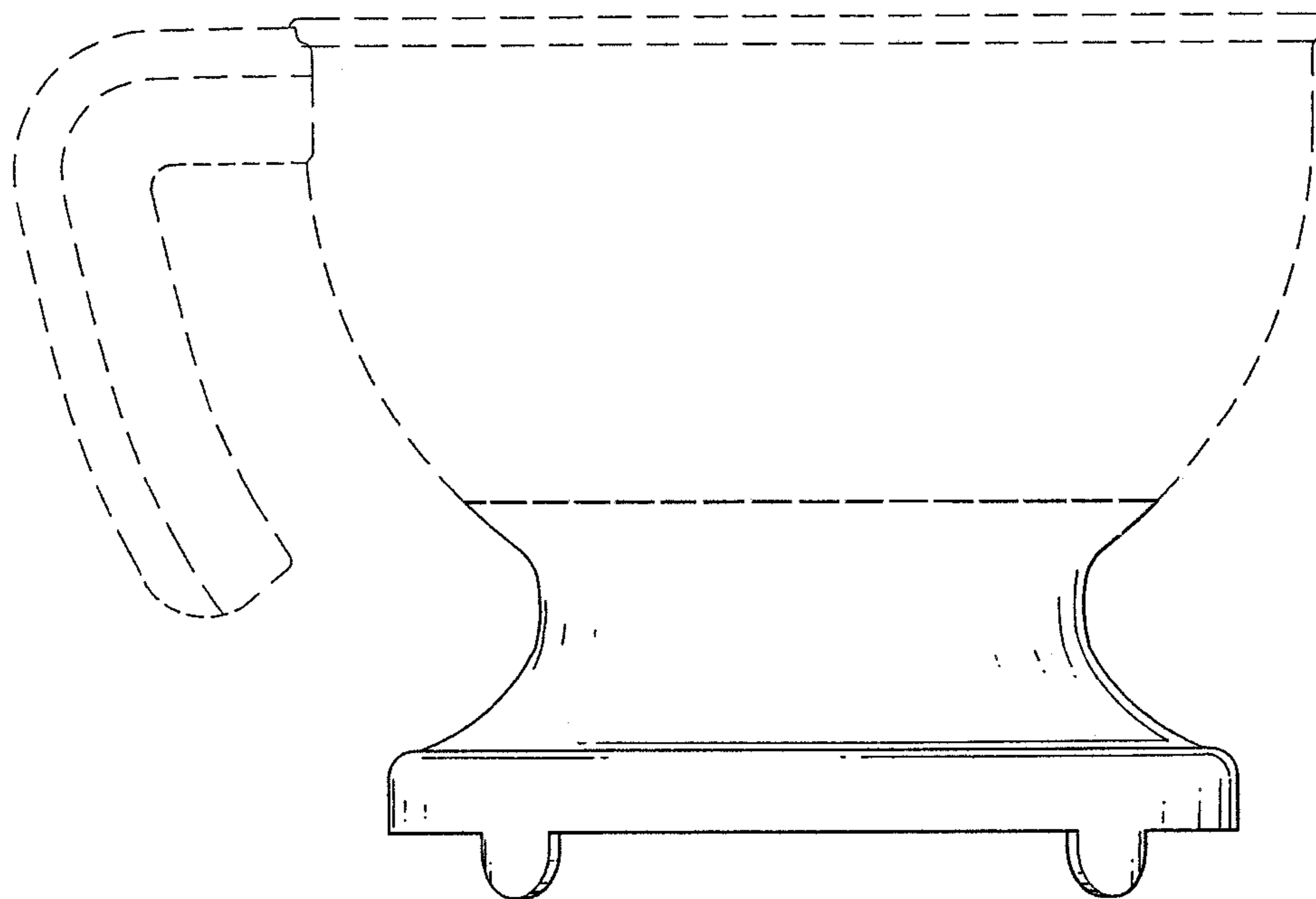


FIG. 2

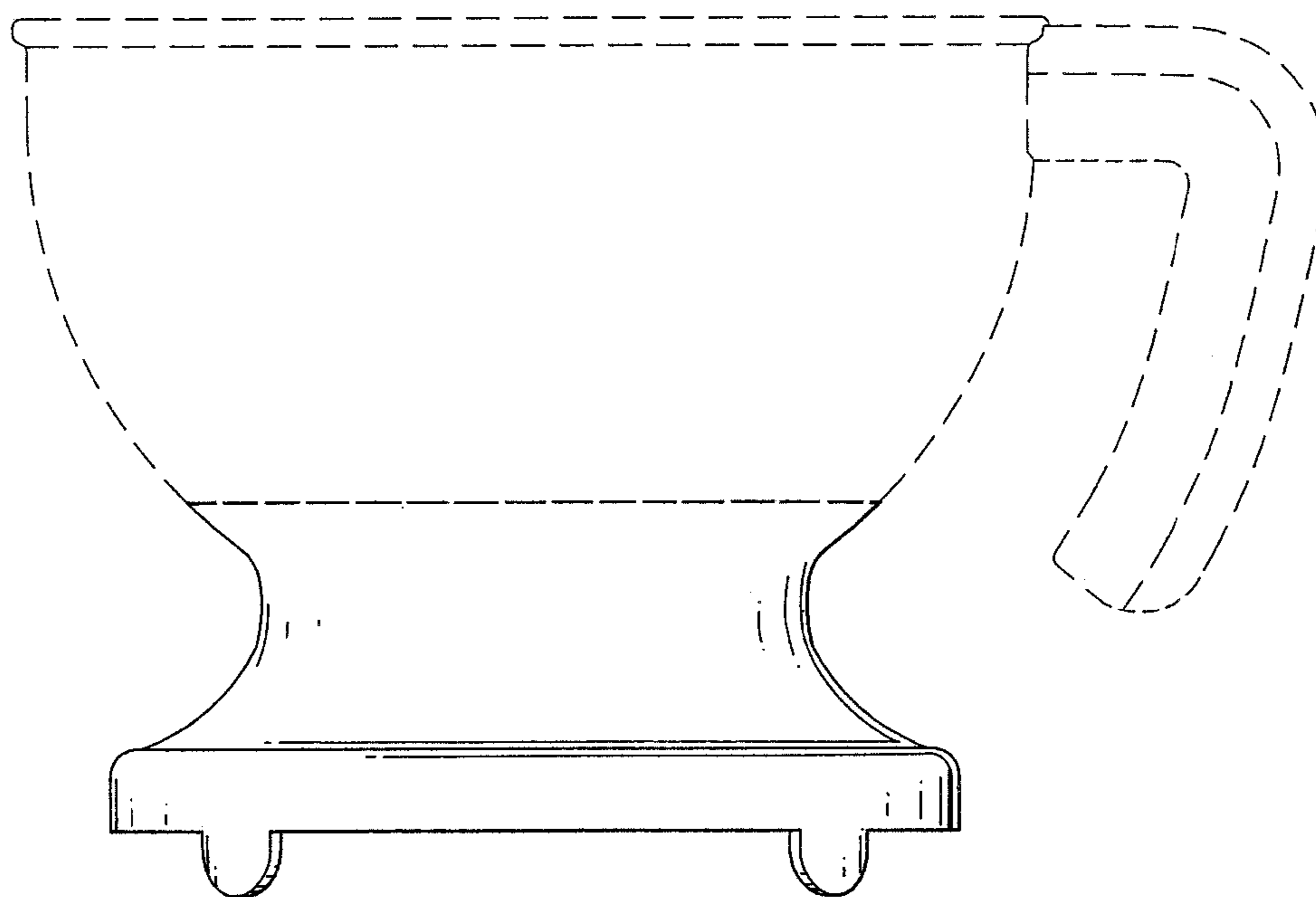


FIG. 3

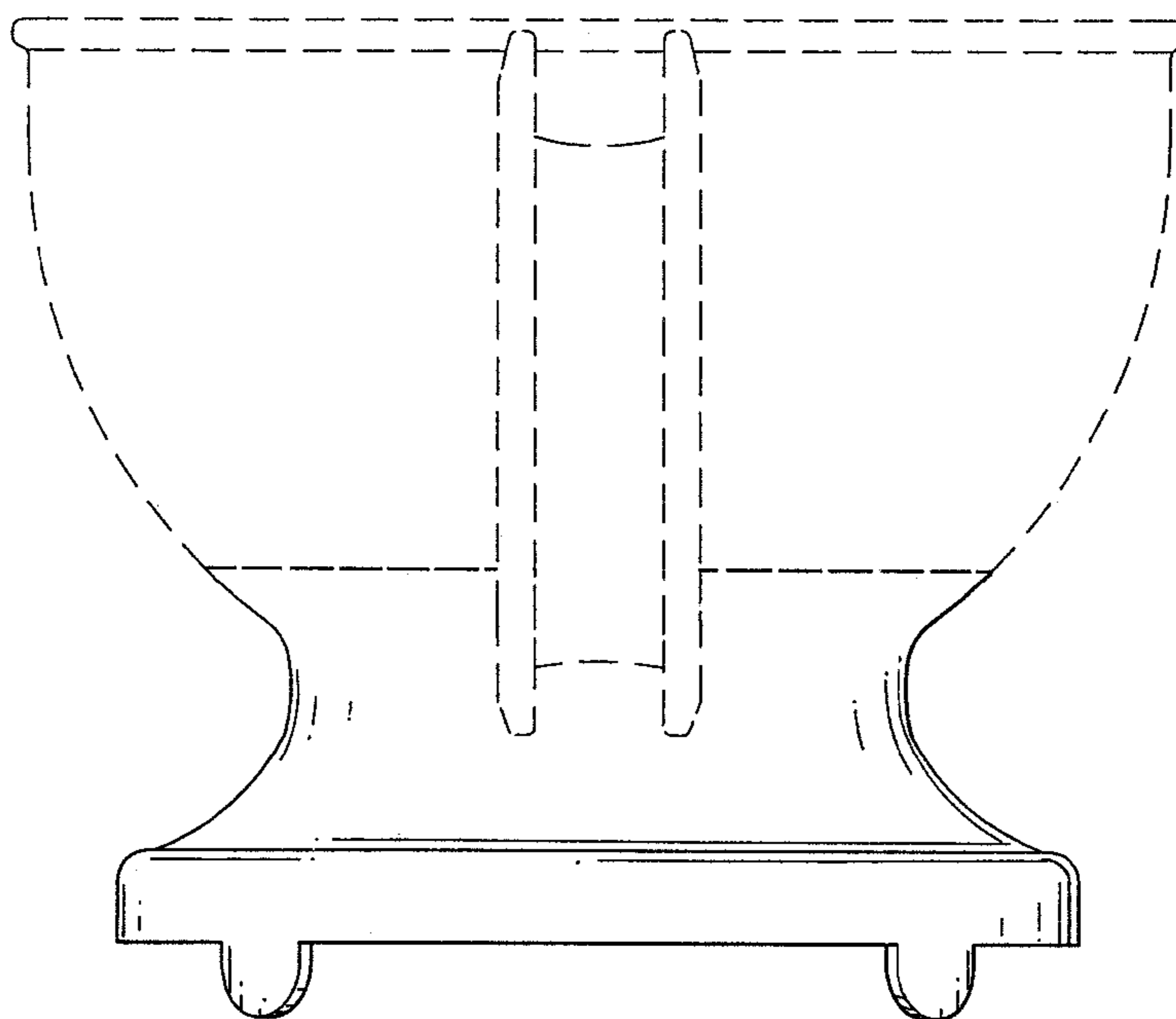


FIG. 4

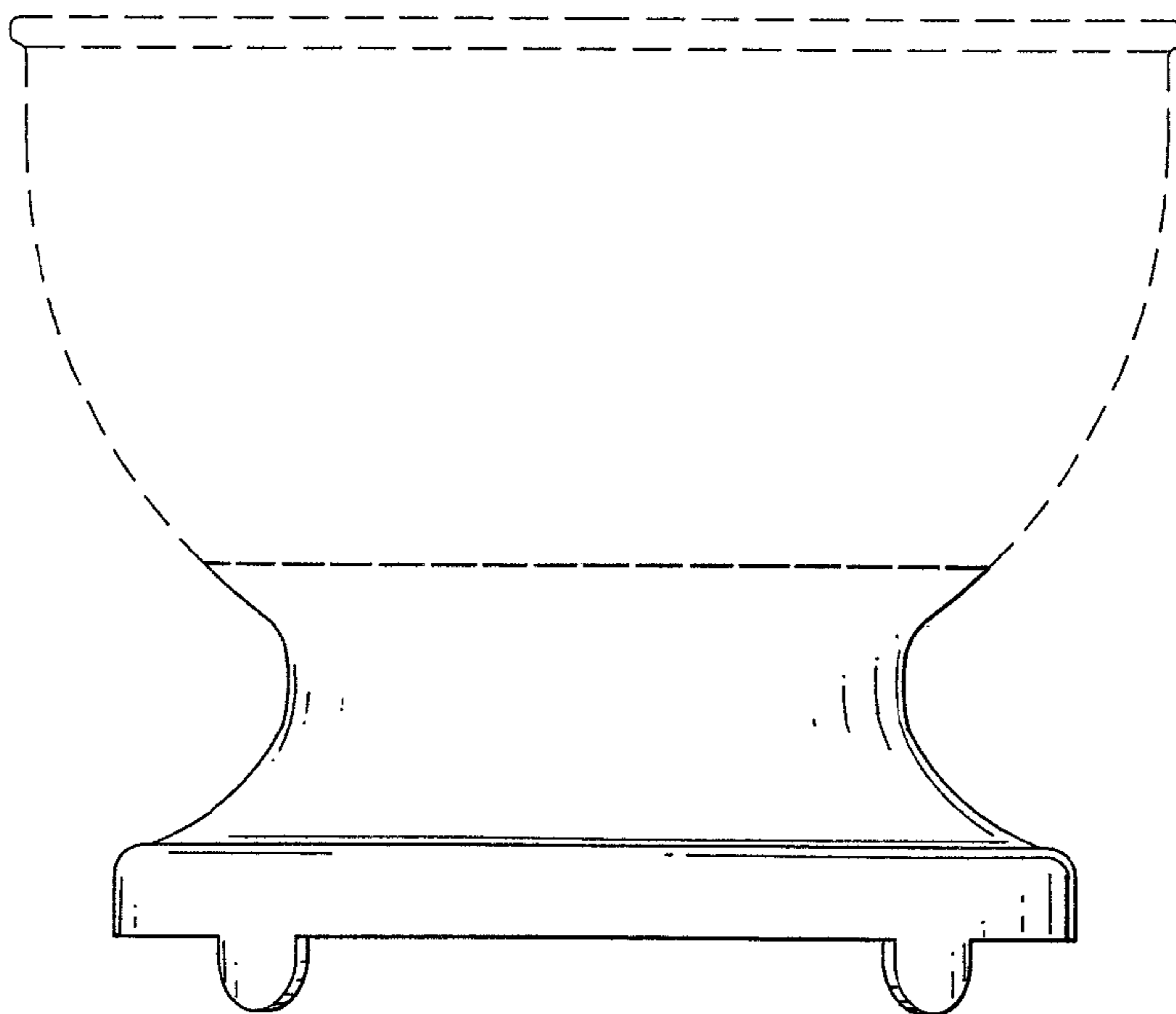


FIG. 5

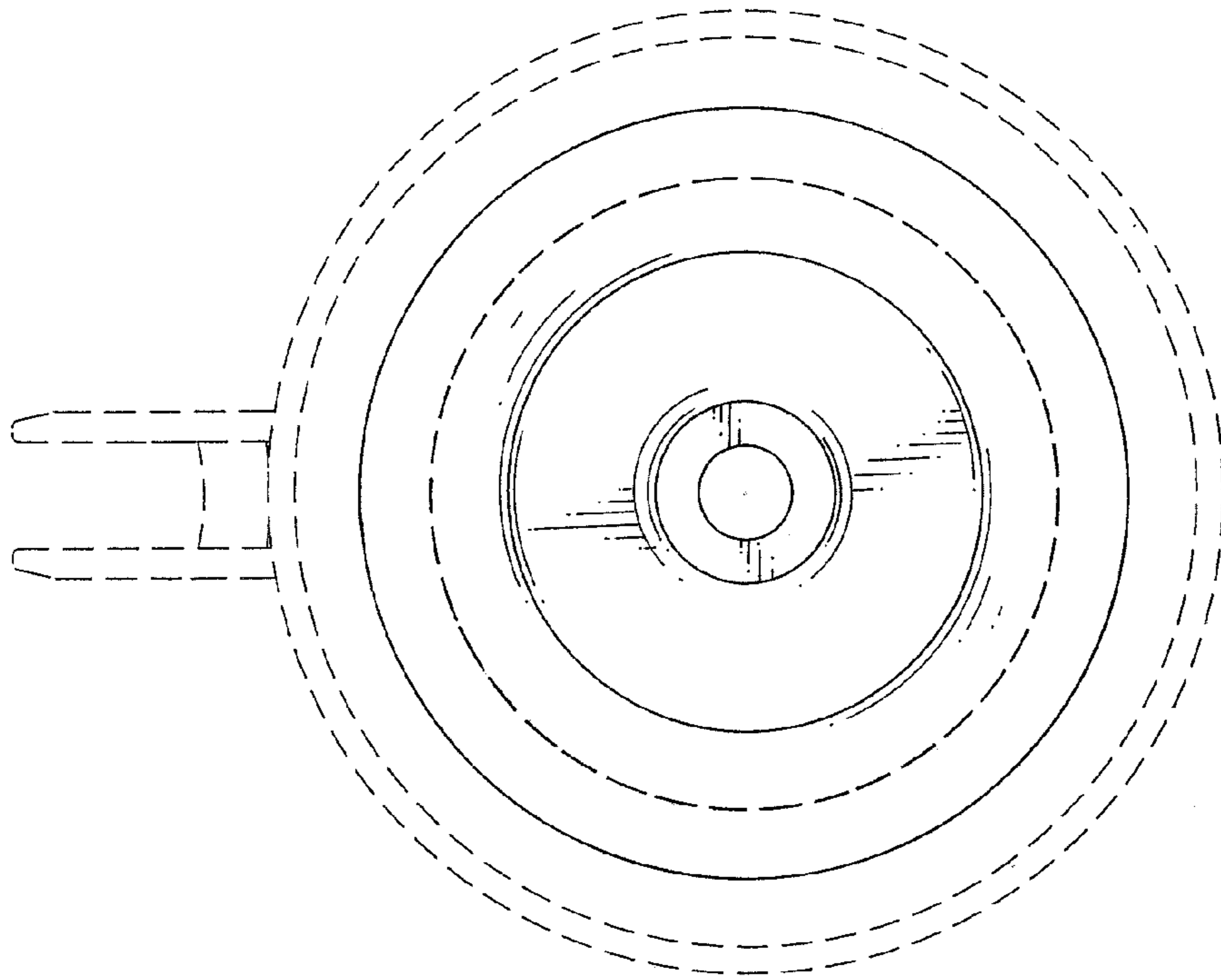


FIG. 6

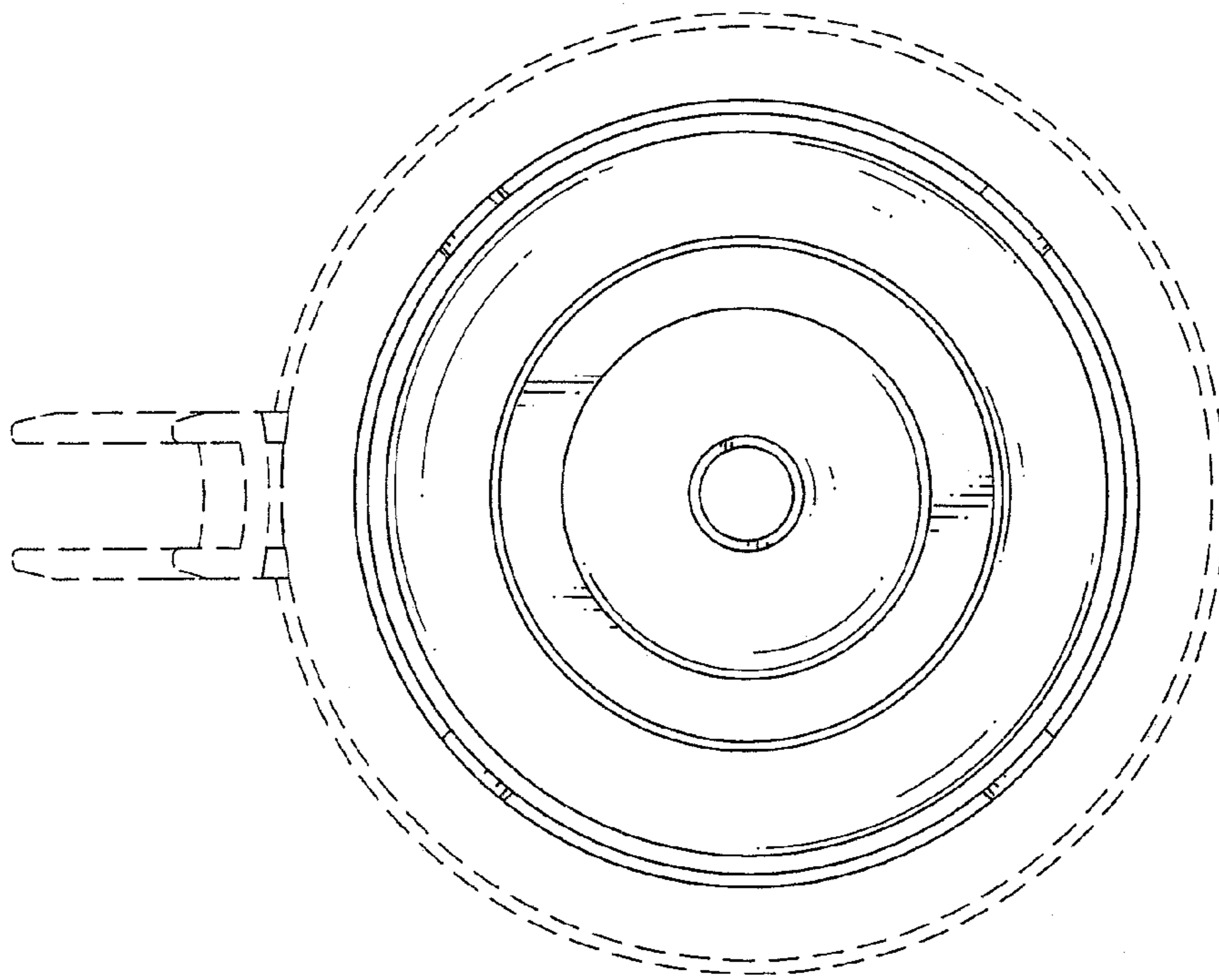


FIG. 7