



US00D578346S

(12) **United States Design Patent**  
**Rae**

(10) **Patent No.:** **US D578,346 S**  
(45) **Date of Patent:** **\*\* Oct. 14, 2008**

(54) **SIDE COOKWARE HANDLE**

(75) Inventor: **Robert A Rae**, Las Vegas, NV (US)

(73) Assignee: **Meyer Intellectual Properties Limited**  
(VG)

(\*\*) Term: **14 Years**

(21) Appl. No.: **29/306,596**

(22) Filed: **Apr. 11, 2008**

**Related U.S. Application Data**

(63) Continuation of application No. 29/279,610, filed on May 3, 2007, now Pat. No. Des. 567,580.

(51) **LOC (8) Cl.** ..... **07-02**

(52) **U.S. Cl.** ..... **D7/394**

(58) **Field of Classification Search** ..... D7/354-361,  
D7/393-395; D8/107, 300, 301, 307, 315,  
D8/317, 319; 16/430, 431, 110.1, 407, 441,  
16/443; 220/573.1-573.5, 752, 753, 755,  
220/756, 912

See application file for complete search history.

(56) **References Cited**

**U.S. PATENT DOCUMENTS**

D403,230 S \* 12/1998 Ziemer et al. .... D8/317  
D467,785 S \* 12/2002 Tsai ..... D8/319  
D482,233 S \* 11/2003 Rae ..... D7/393  
D494,808 S \* 8/2004 Thomkins ..... D7/394

D503,307 S \* 3/2005 Thomkins ..... D7/394  
D527,982 S \* 9/2006 Brasset ..... D8/317  
D551,497 S \* 9/2007 Rae ..... D7/394

\* cited by examiner

*Primary Examiner*—Holly H. Baynham

*Assistant Examiner*—Cynthia M Chin

(74) *Attorney, Agent, or Firm*—Edward S. Sherman

(57) **CLAIM**

The ornamental design for a side cookware handle, as shown and described.

**DESCRIPTION**

FIG. 1 is a perspective view of the “side cookware handle” from above showing my new design;

FIG. 2 is a top plan view thereof;

FIG. 3 is a front elevation thereof;

FIG. 4 is a side elevation view thereof;

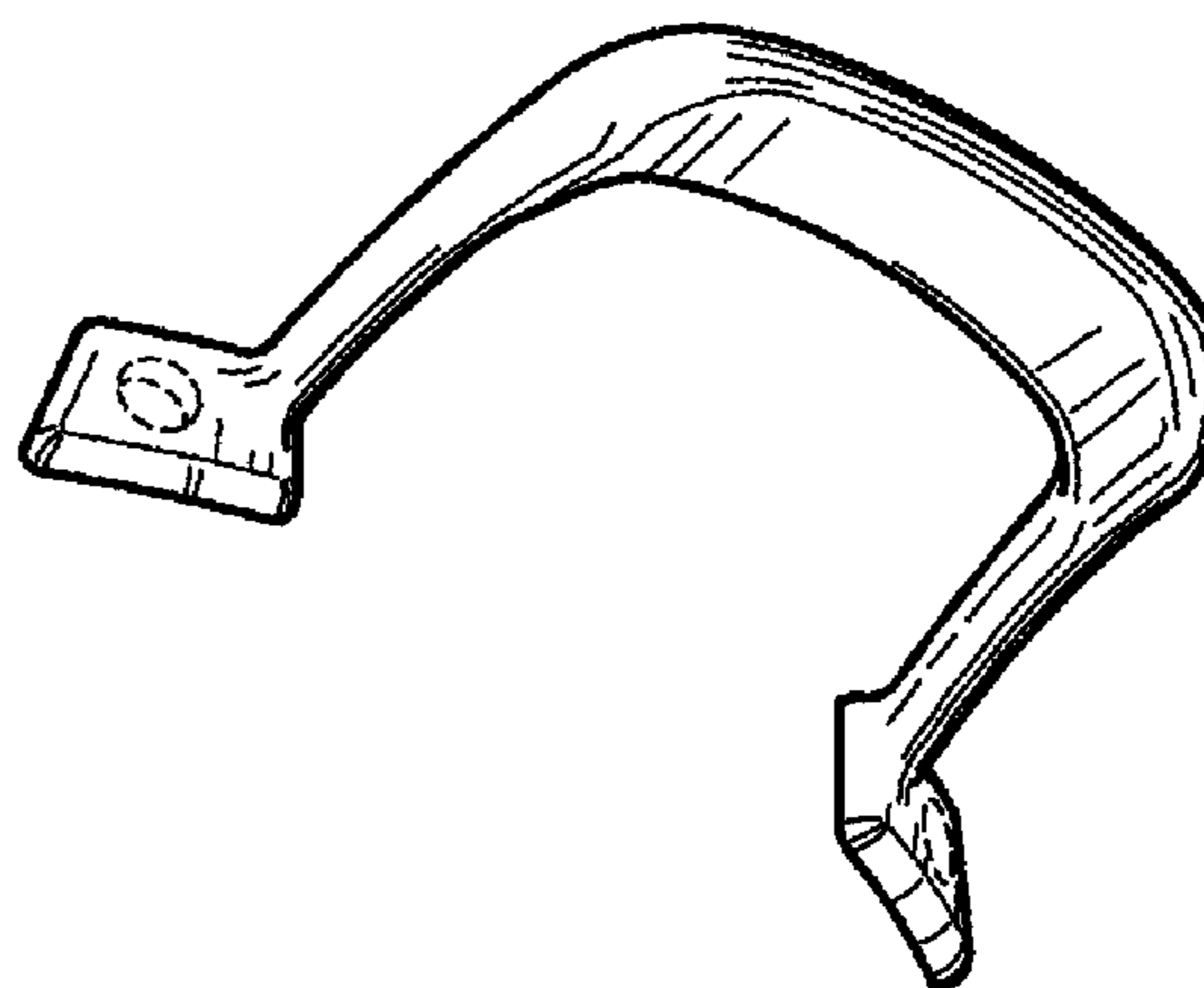
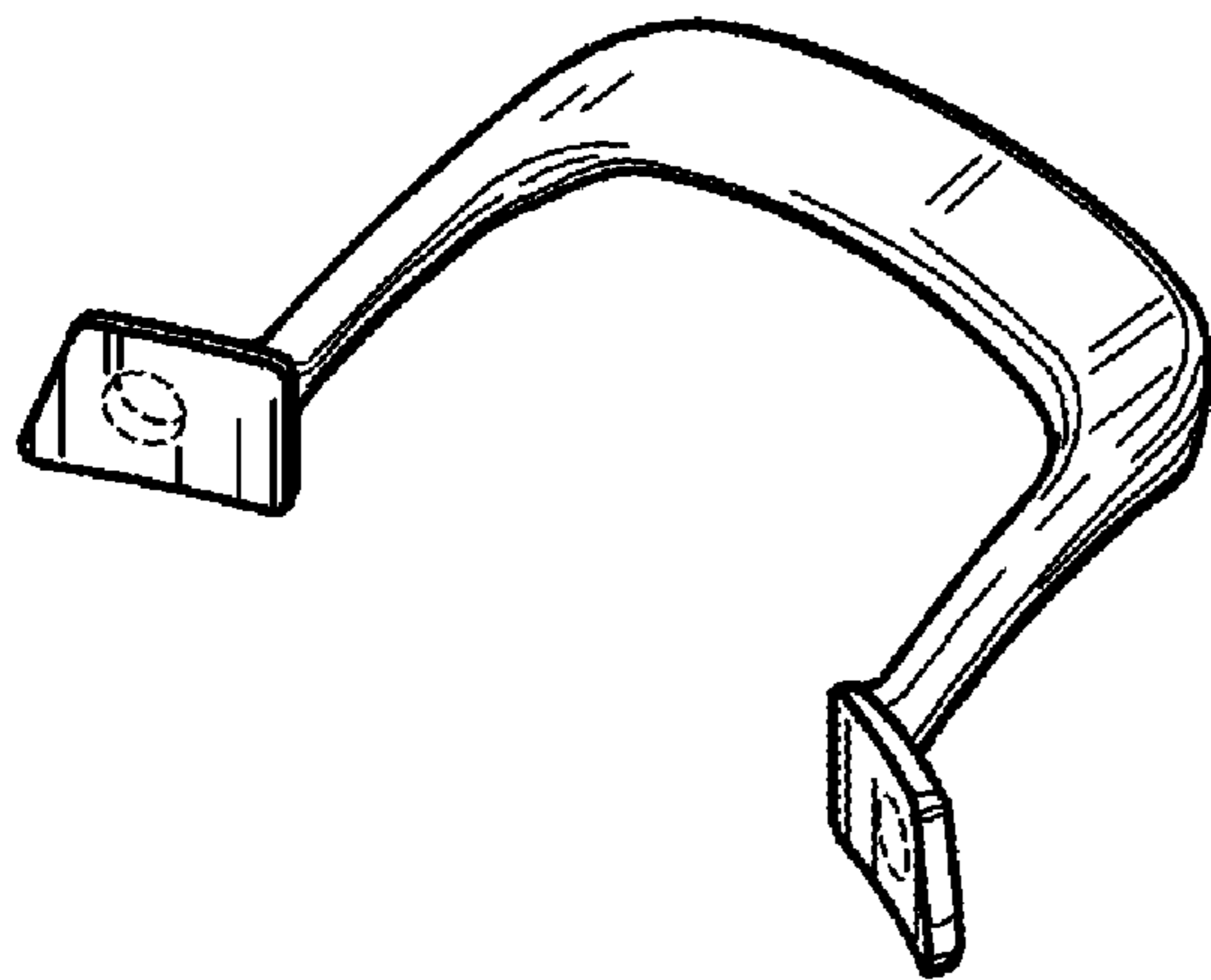
FIG. 5 is a bottom plan view thereof;

FIG. 6 is back elevation view thereof; and,

FIG. 7 is a perspective view thereof from below.

The pair of circular rivet holes shown in broken lines in the flange portion of the handle, which are visible at least partially in FIGS. 1, 3, 4 and 6-7, are functional elements and are not intended to be limiting the scope of the ornamental design. The broken lines represent portions of the design that form no part of the claim.

**1 Claim, 1 Drawing Sheet**



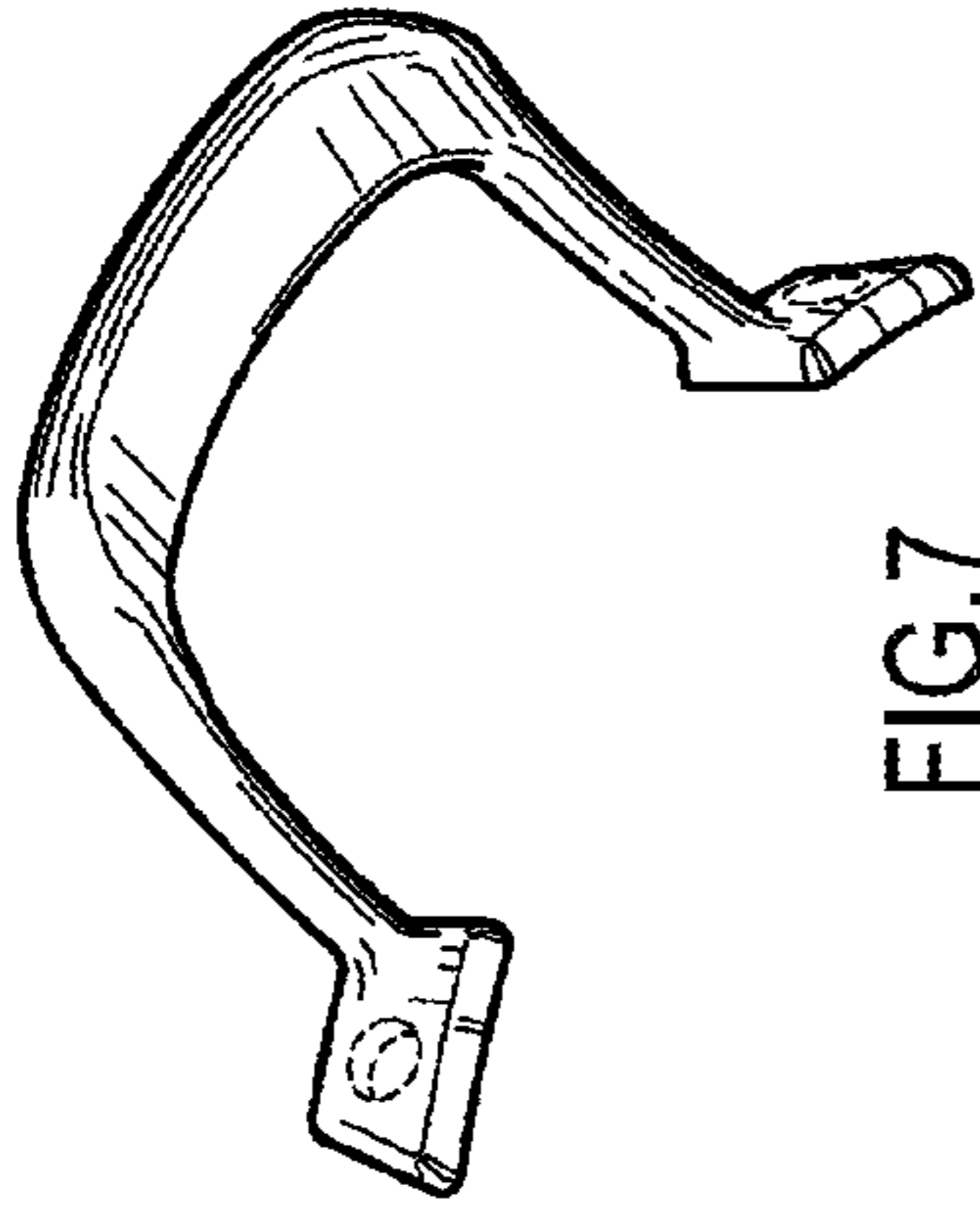


FIG. 1

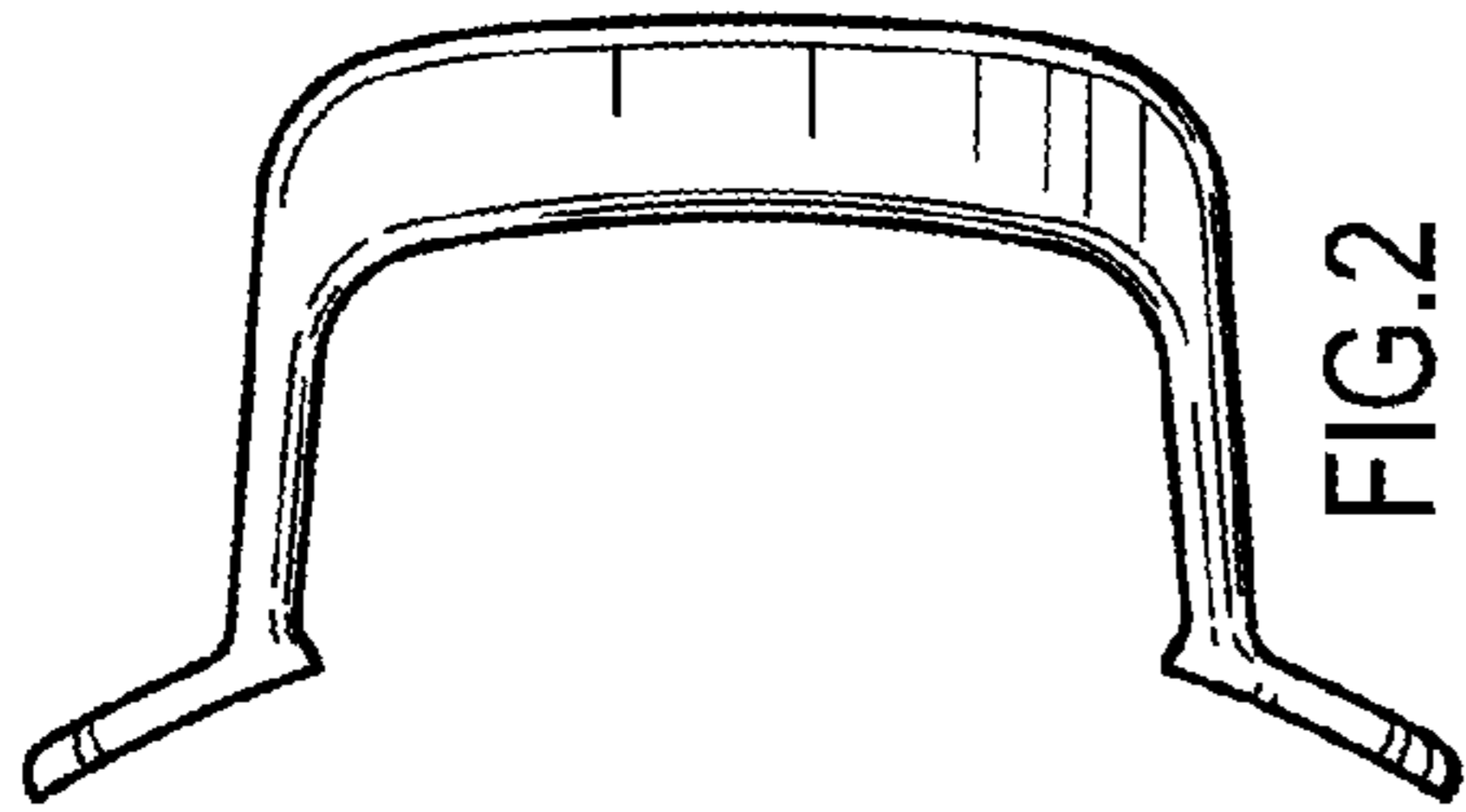


FIG. 2

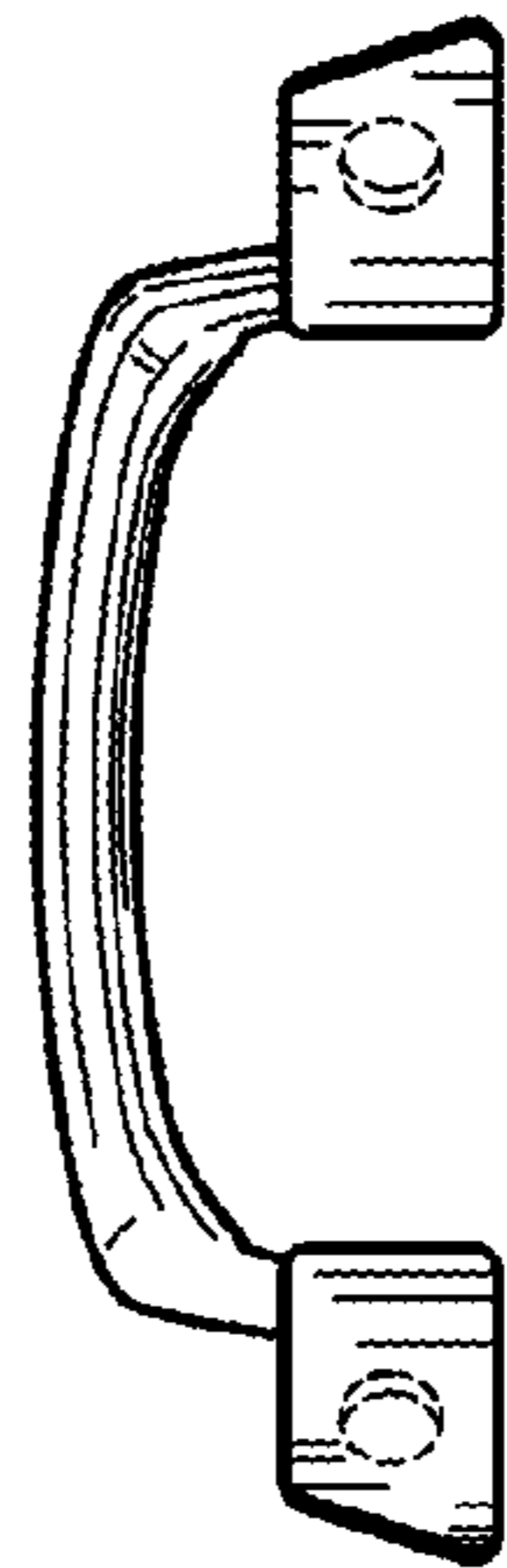


FIG. 3

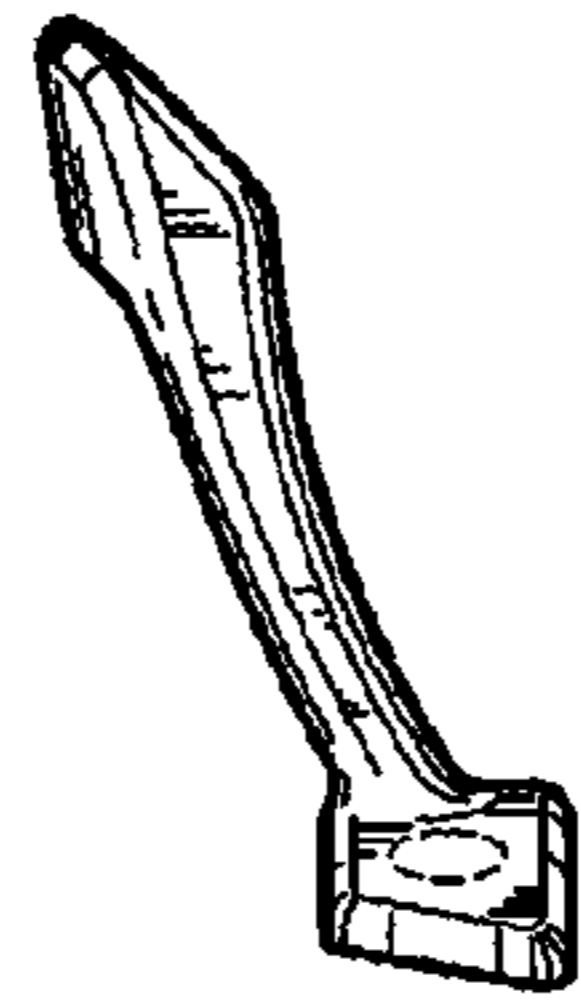


FIG. 4

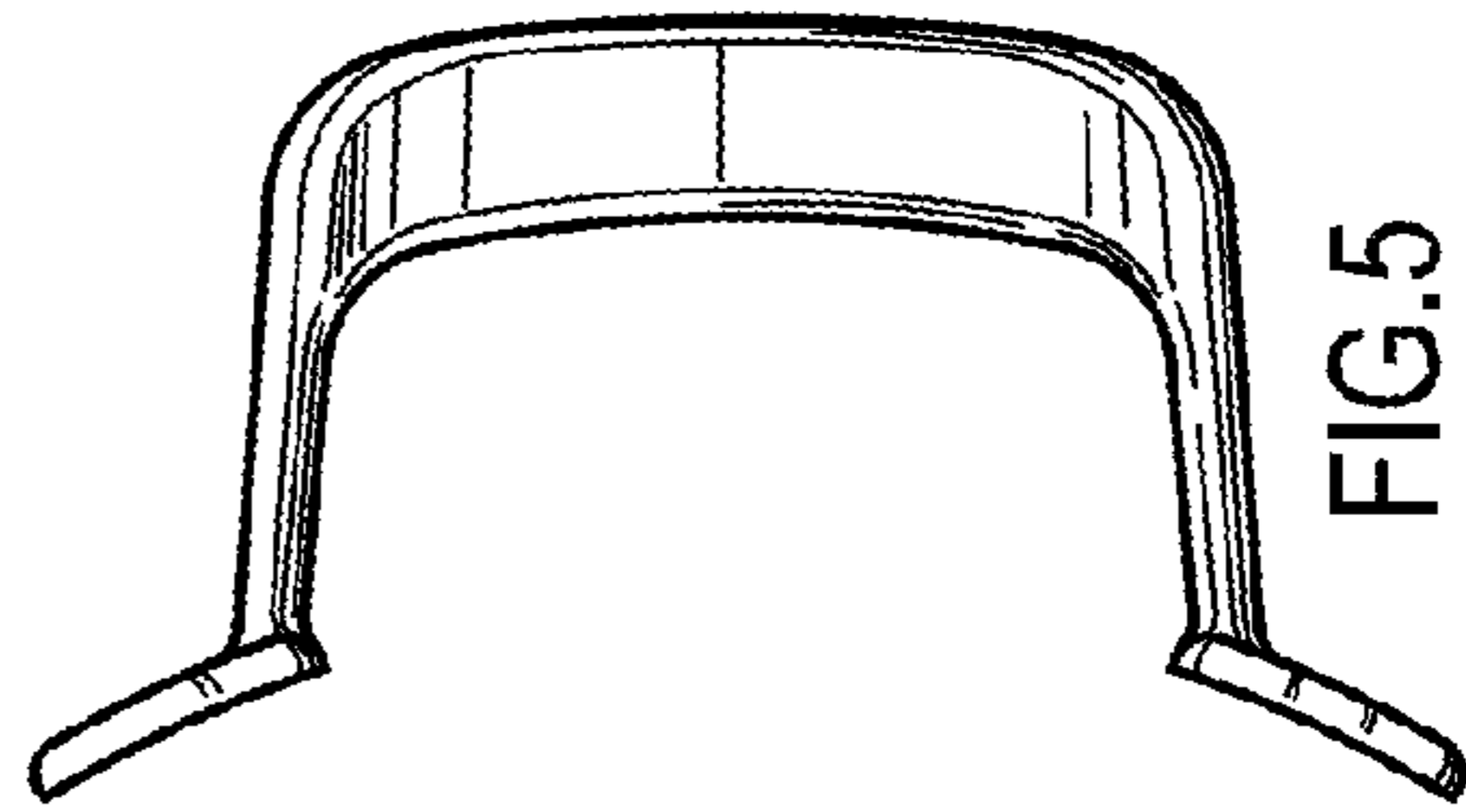


FIG. 5

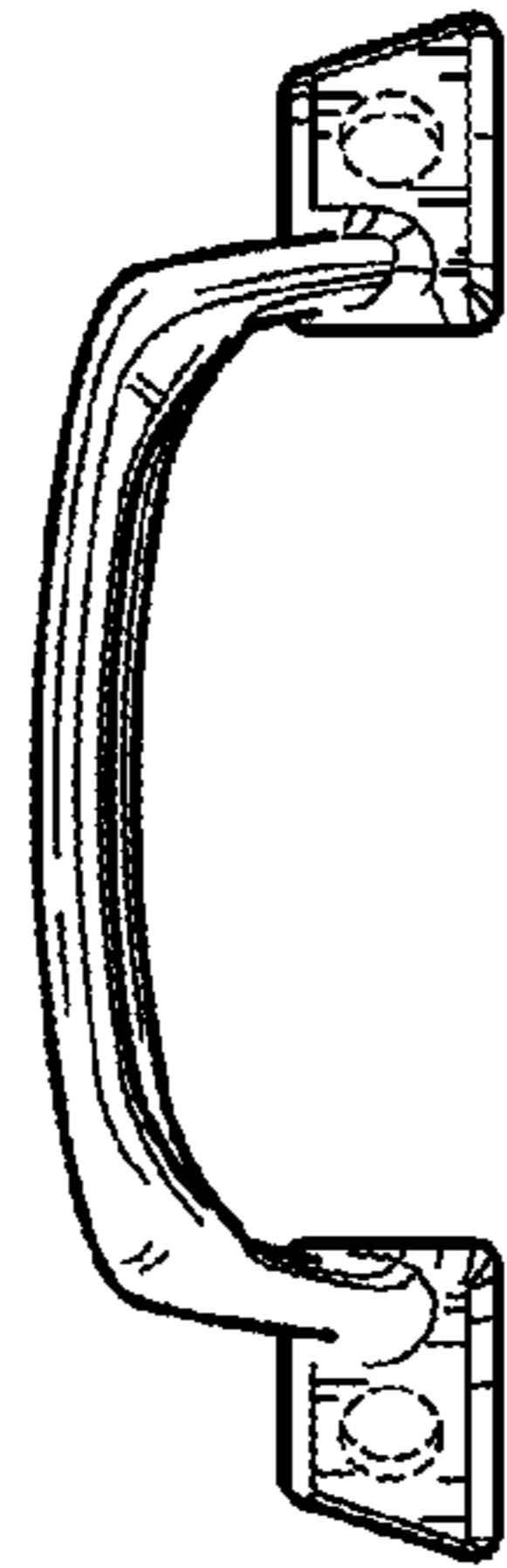


FIG. 6

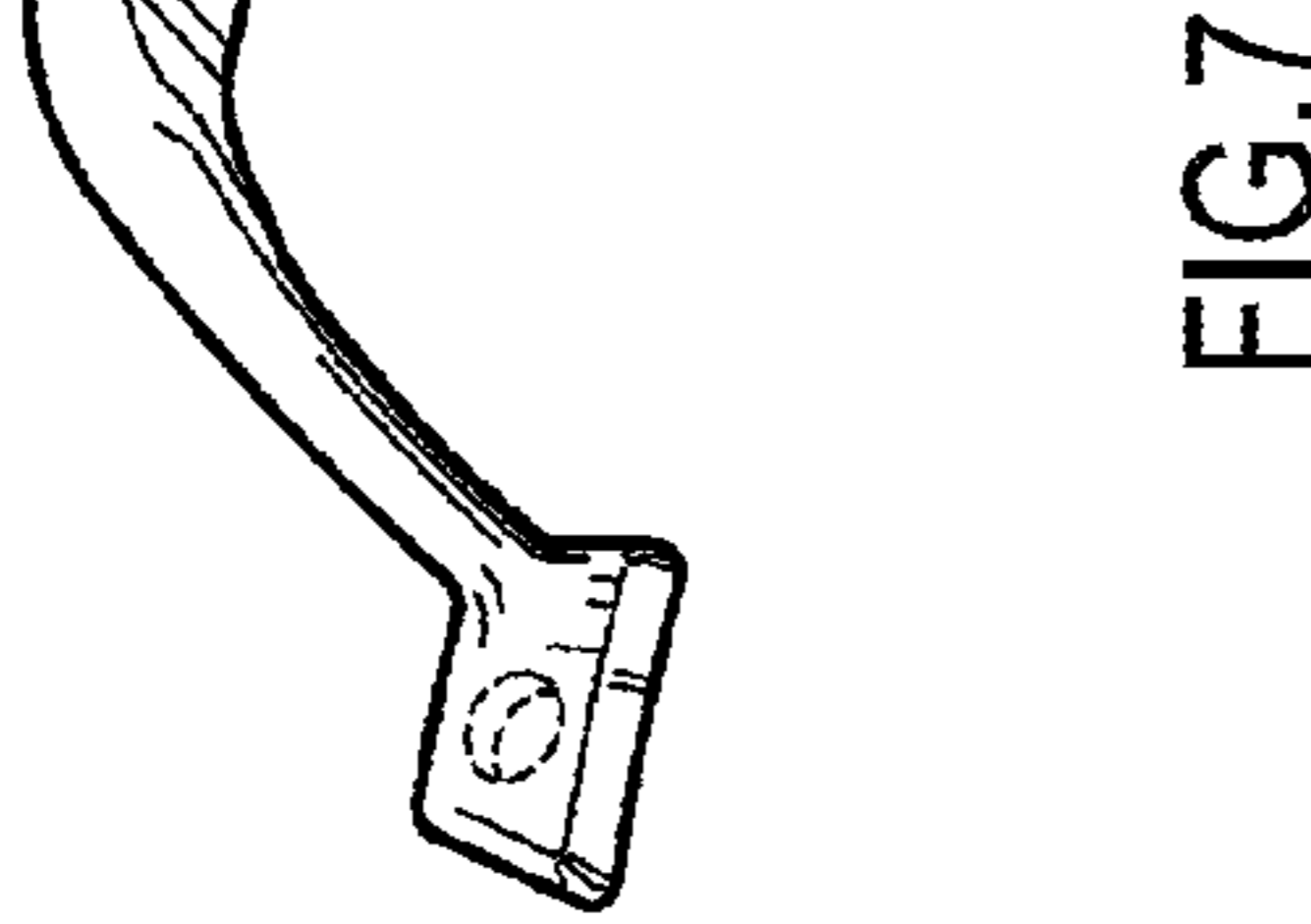


FIG. 7