



US00D578341S

(12) **United States Design Patent**
Picozza et al.

(10) **Patent No.:** **US D578,341 S**
(45) **Date of Patent:** **** Oct. 14, 2008**

(54) **FOOD PROCESSOR**

(75) Inventors: **Augusto Picozza**, Boca Raton, FL (US);
Christopher Jones, San Francisco, CA
(US); **Adam Leonards**, El Cerrito, CA
(US); **Remy Labesque**, Glen Ellen, CA
(US)

(73) Assignee: **Sunbeam Products, Inc.**, Boca Raton,
FL (US)

(**) Term: **14 Years**

(21) Appl. No.: **29/304,514**

(22) Filed: **Mar. 3, 2008**

(51) **LOC (8) Cl.** **31-00**

(52) **U.S. Cl.** **D7/384**

(58) **Field of Classification Search** D7/317-318,
D7/356, 376-386, 412-415; 99/348, 509-511;
222/465.1; 241/30-37.5, 101.01-101.2,
241/166-169.1, 274-278.2, 285.1-285.3,
241/291, 292.1; 366/64-67, 98, 192, 197-211,
366/205-206, 241-254, 279-292, 341-343
See application file for complete search history.

(56) **References Cited**

U.S. PATENT DOCUMENTS

D287,327 S * 12/1986 Cavalli D7/384
D373,049 S * 8/1996 le Rouzic D7/413

D390,746 S * 2/1998 Hippen et al. D7/384
D484,357 S * 12/2003 Seum et al. D7/378
D502,047 S * 2/2005 Ledingham et al. D7/384
D502,842 S * 3/2005 Hallar D7/384
7,028,930 B2 * 4/2006 Carnevale 241/37.5
D560,093 S * 1/2008 Verdun D7/384

* cited by examiner

Primary Examiner—Caron D. Veynar

Assistant Examiner—Ricky Pham

(74) *Attorney, Agent, or Firm*—Seth Blum

(57) **CLAIM**

The ornamental design for a food processor, as shown and described.

DESCRIPTION

FIG. 1 is a top front right perspective view of the food processor showing the new design;

FIG. 2 is a front elevation view thereof;

FIG. 3 is a back elevation view thereof;

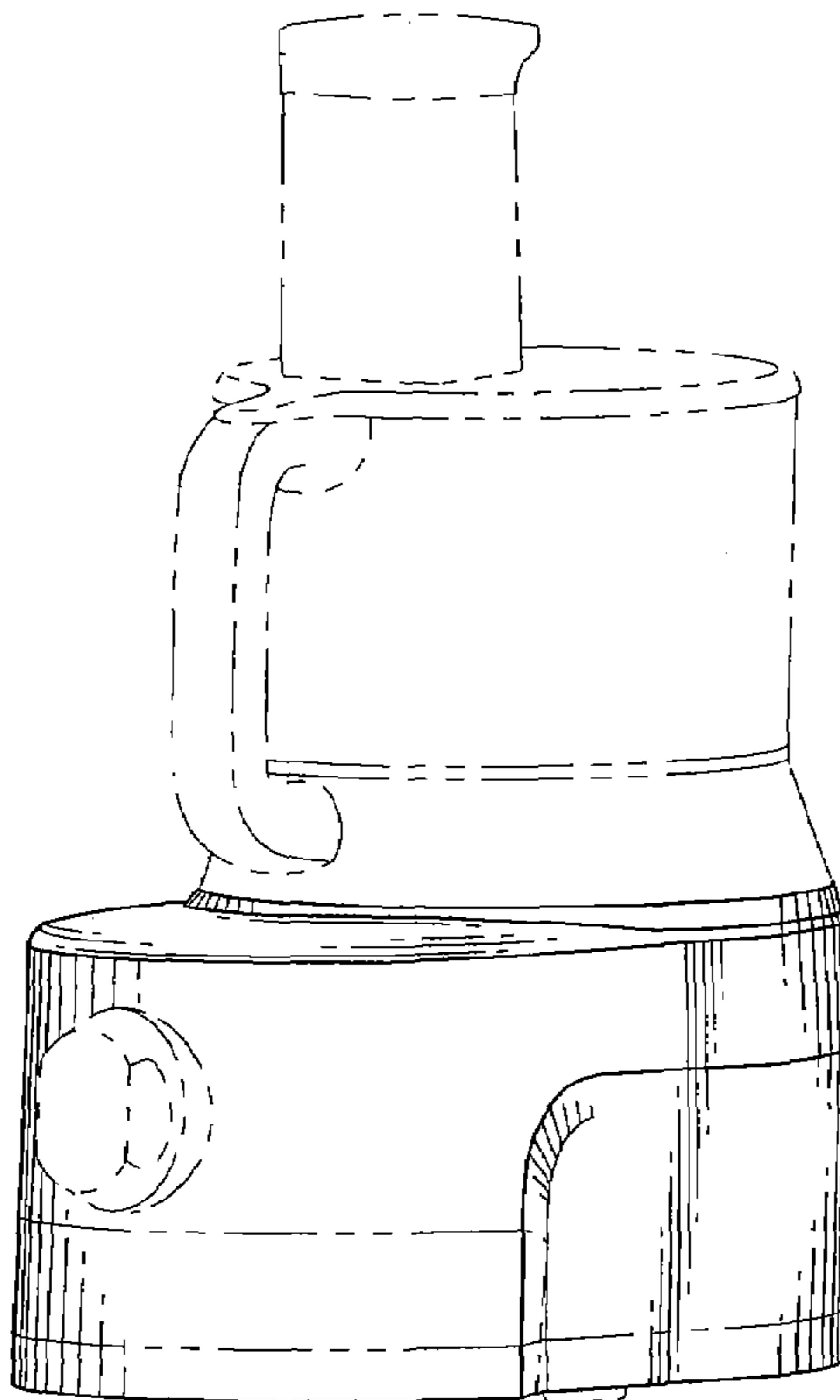
FIG. 4 is a left side elevation view thereof;

FIG. 5 is a right side elevation view thereof;

FIG. 6 is a top plan view thereof; and,

FIG. 7 is a bottom plan view thereof.

1 Claim, 3 Drawing Sheets



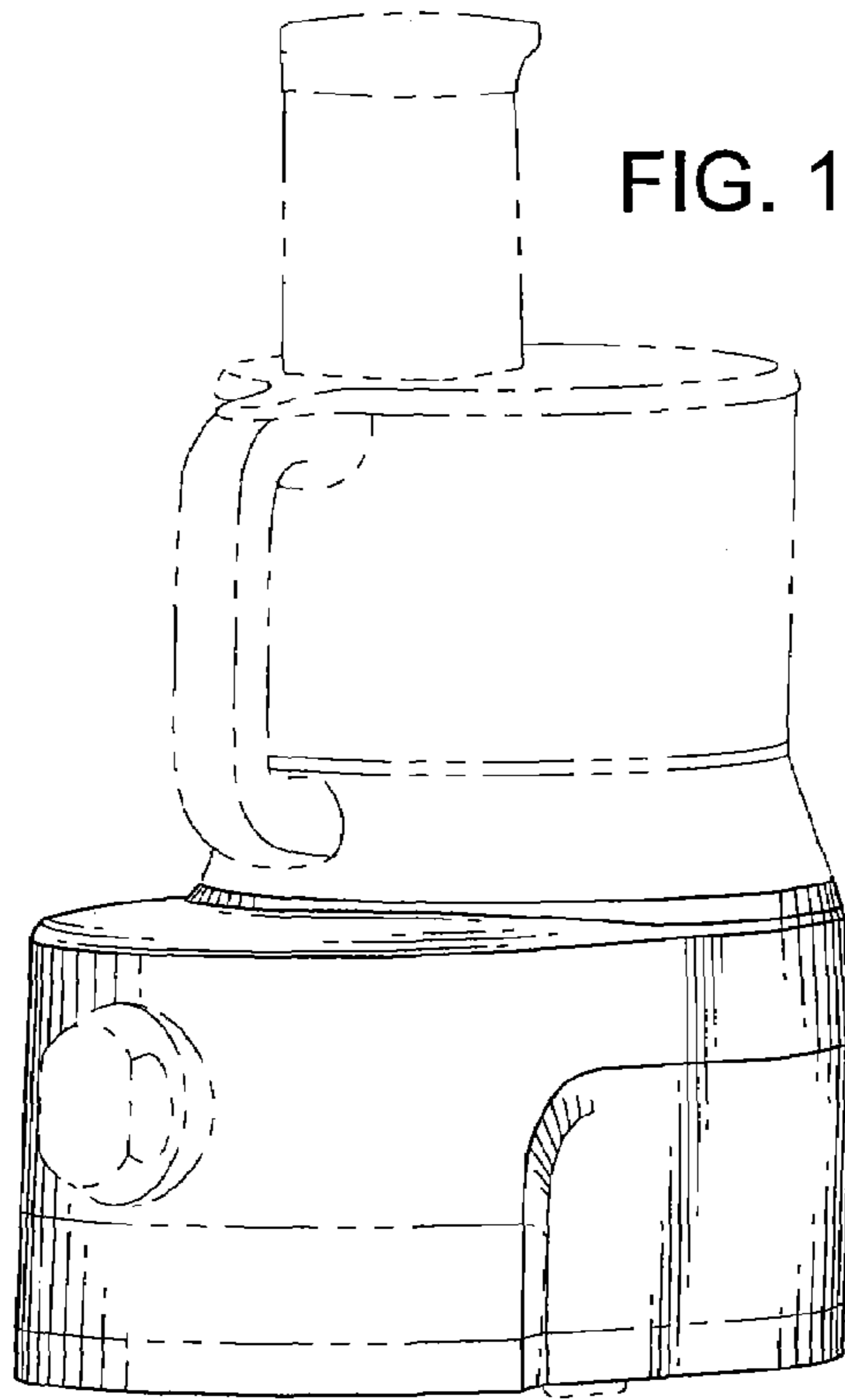


FIG. 6

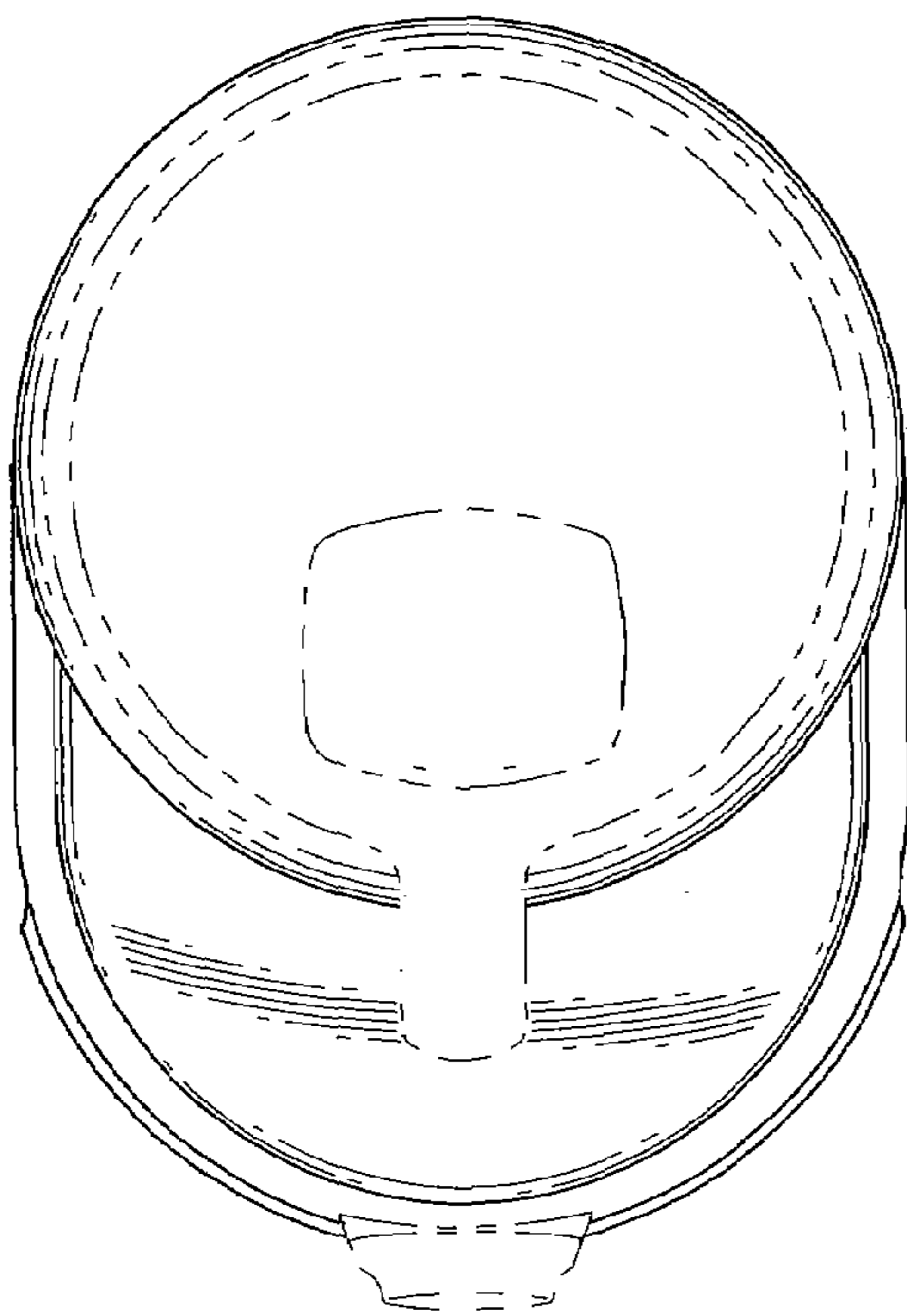
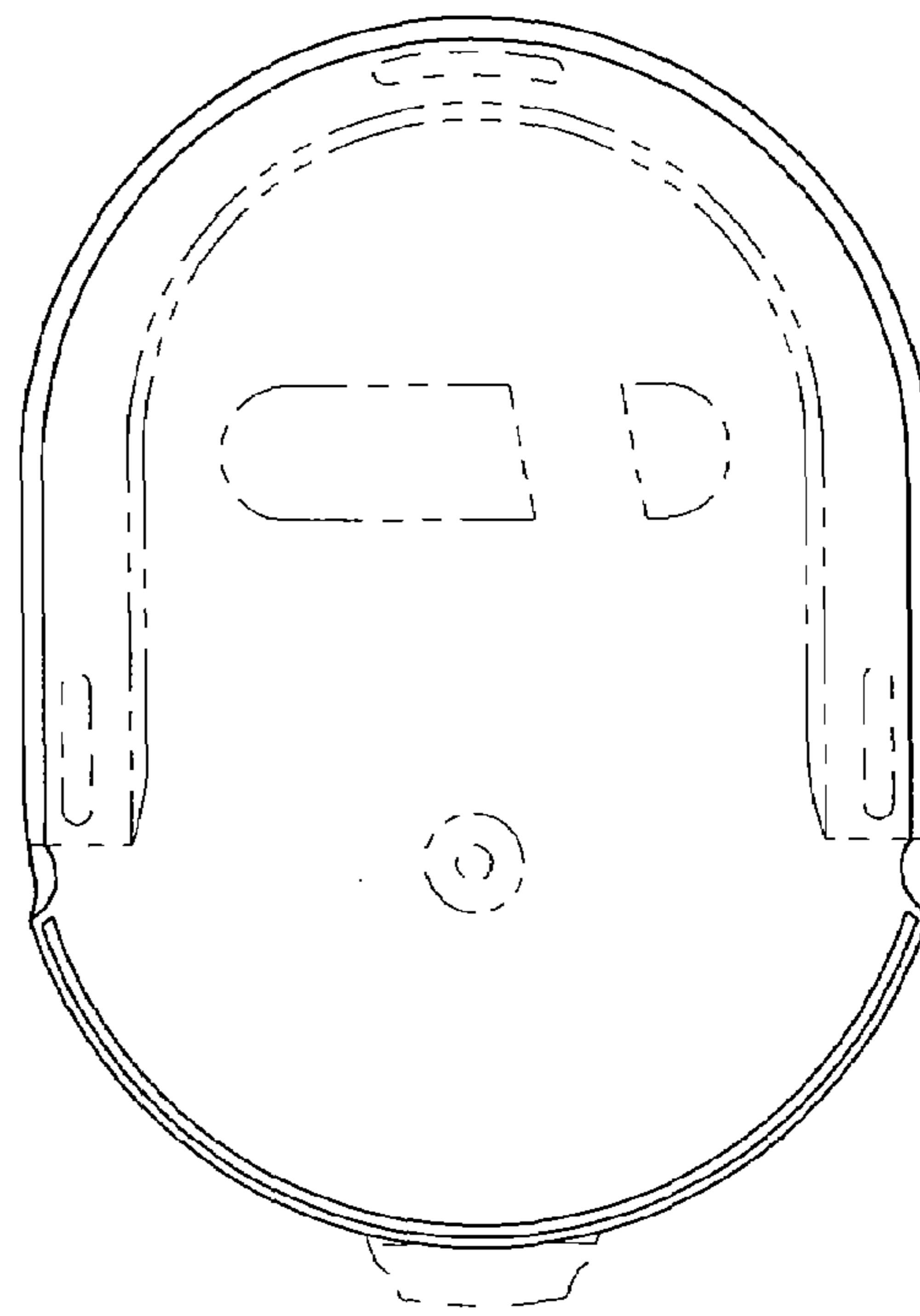


FIG. 7



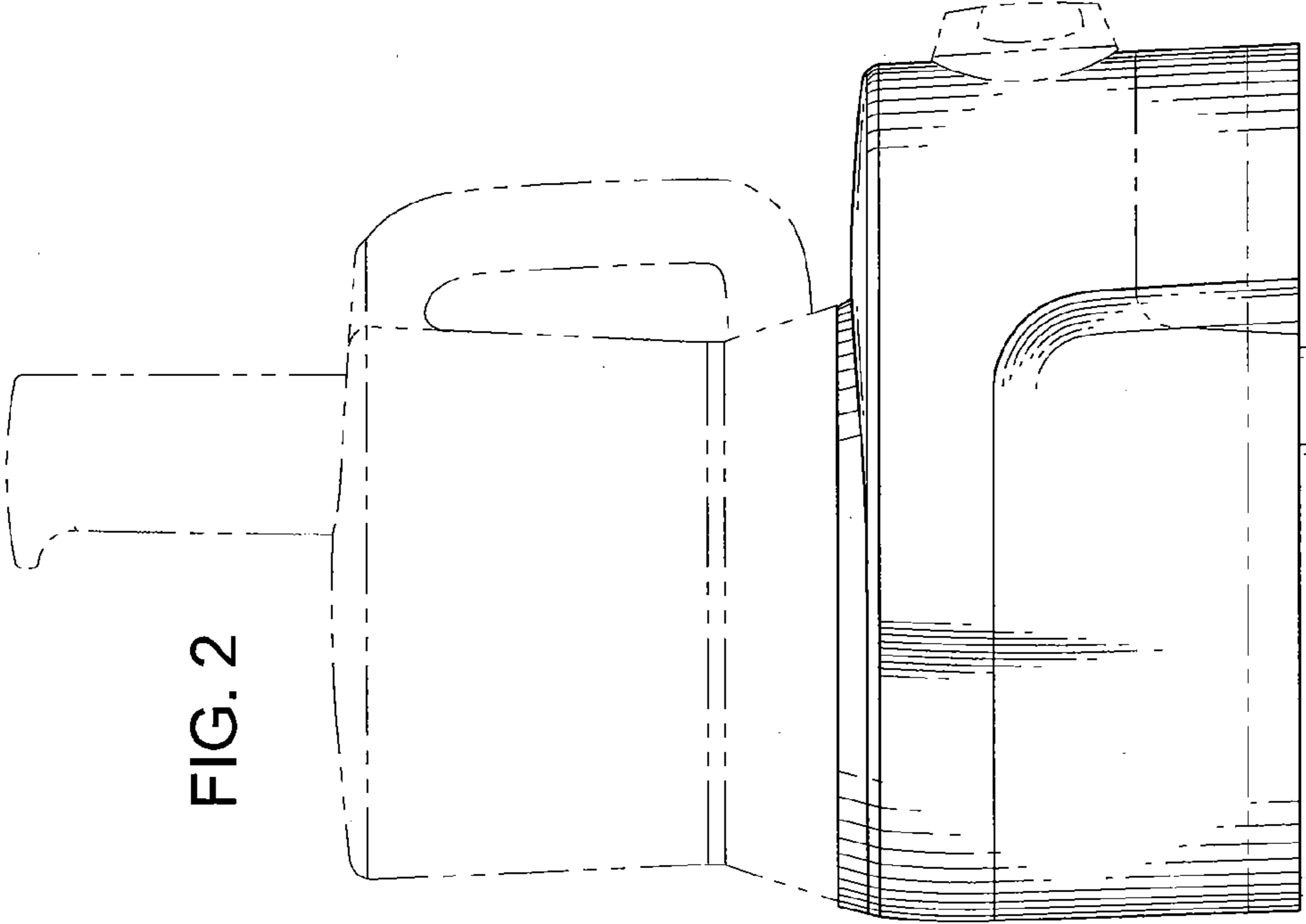
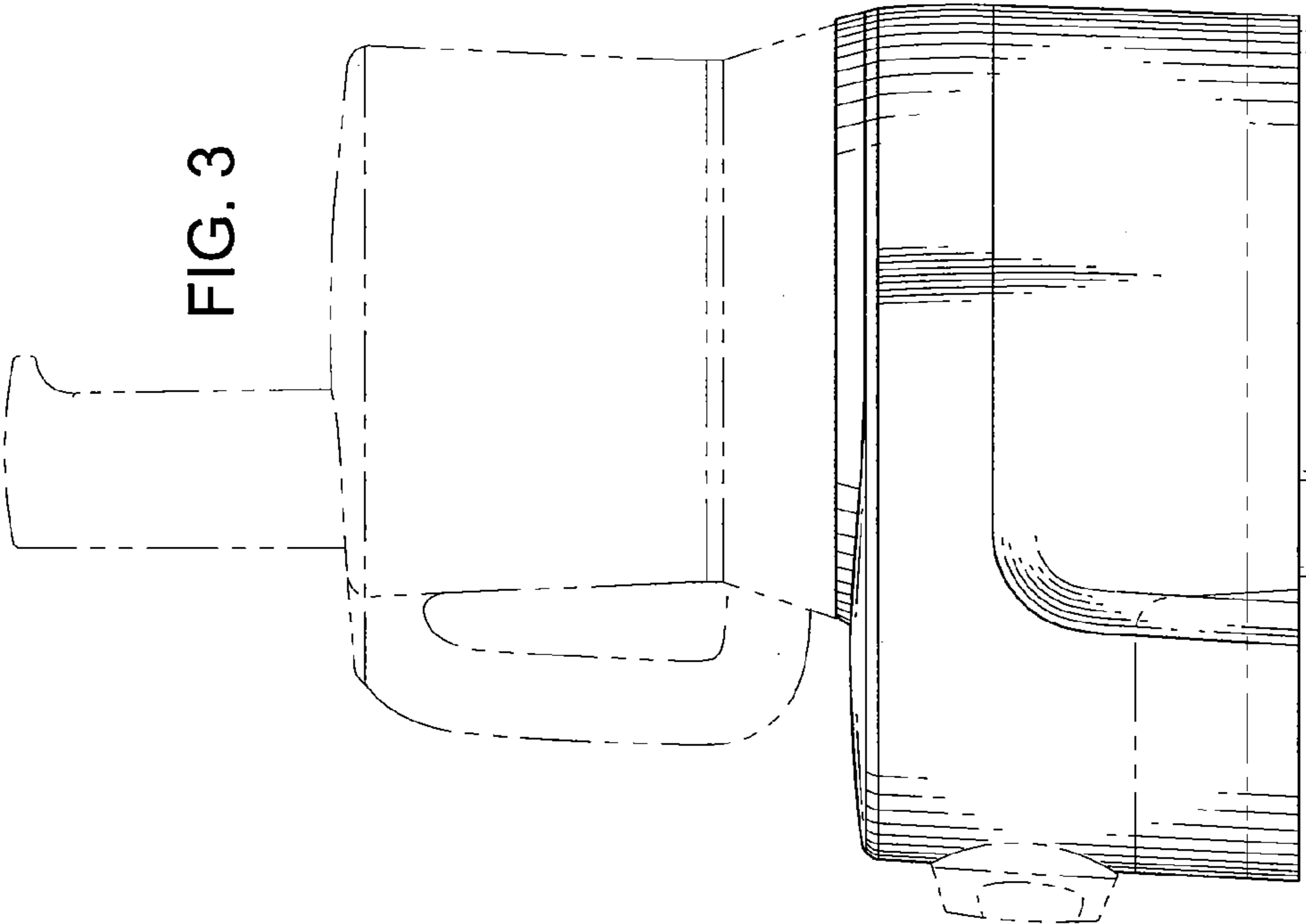


FIG. 5

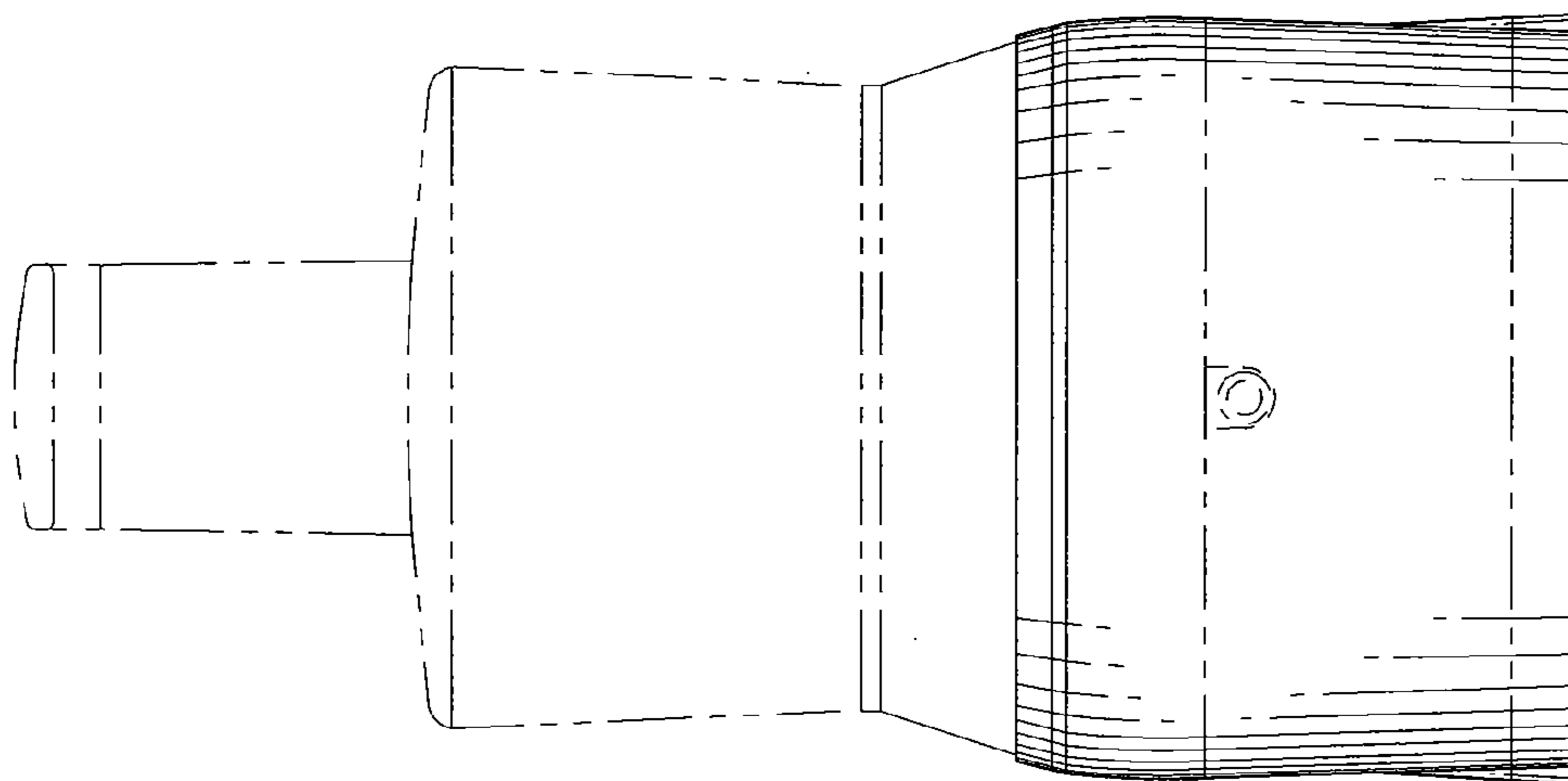


FIG. 4

