



US00D578336S

(12) **United States Design Patent**
Kim

(10) **Patent No.:** **US D578,336 S**

(45) **Date of Patent:** **** Oct. 14, 2008**

(54) **MICROWAVE-OVENPROOF VESSEL**

(75) Inventor: **Kang Doo Kim**, Kyunggi-do (KR)

(73) Assignee: **Samsung Electronics Co., Ltd.**, Suwon (KR)

(**) Term: **14 Years**

(21) Appl. No.: **29/294,633**

(22) Filed: **Jan. 18, 2008**

(51) **LOC (8) Cl.** **07-02**

(52) **U.S. Cl.** **D7/354**

(58) **Field of Classification Search** D7/317-319, D7/354, 391-392.1, 396.2, 505, 510-511, D7/540-542, 610, 629; D9/429, 435, 440, D9/443-444, 447-454, 503-504; 99/645; 215/200, 211, 224, 243; 220/523, 293, 700-703, 220/711, 713-715, 719, 780; 312/280; 426/128
See application file for complete search history.

(56) **References Cited**

U.S. PATENT DOCUMENTS

D28,261 S *	2/1898	Bowers	D7/391
D104,442 S *	5/1937	Connors	D7/610
2,758,458 A *	8/1956	Carlson	312/280
D212,843 S *	12/1968	Hart et al.	D9/452
D228,602 S *	10/1973	Swett et al.	D7/391
D254,166 S *	2/1980	Christian	D7/629
4,197,940 A *	4/1980	DeRossett	220/780
D263,441 S *	3/1982	Johnson et al.	D7/391
4,375,862 A *	3/1983	Kurinsky et al.	220/293
4,385,554 A *	5/1983	Daenen et al.	99/645
D270,322 S *	8/1983	Daenen et al.	D7/629
D287,919 S *	1/1987	Clements	D7/392.1
D288,767 S *	3/1987	Minuti	D7/542
D290,326 S *	6/1987	Daenen et al.	D7/540

4,705,163 A *	11/1987	James	426/128
D302,367 S *	7/1989	Woodrow	D7/392.1
D307,227 S *	4/1990	Sibilio et al.	D7/610
D347,142 S *	5/1994	Falvo	D7/391
D374,820 S *	10/1996	Knoss et al.	D9/429
D384,554 S *	10/1997	Ancona et al.	D7/505
D441,290 S *	5/2001	West	D9/443
D450,580 S *	11/2001	Littlejohn et al.	D9/429
D477,178 S *	7/2003	Cornfield	D7/391
D484,005 S *	12/2003	Levien	D7/610
D526,840 S *	8/2006	Carlson	D7/392.1

* cited by examiner

Primary Examiner—Caron D. Veynar

Assistant Examiner—Ricky Pham

(74) *Attorney, Agent, or Firm*—Ladas & Parry LLP

(57) **CLAIM**

I claim the ornamental design for microwave-ovenproof vessel, as shown and described.

DESCRIPTION

FIG. 1 is a front/top perspective view of a microwave-ovenproof vessel showing our new design;

FIG. 2 is a front-side elevational view thereof;

FIG. 3 is a rear-side elevational view thereof;

FIG. 4 is a left-side elevational view thereof;

FIG. 5 is a right-side elevational view thereof;

FIG. 6 is a top-side elevational view thereof;

FIG. 7 is a bottom-side elevational view thereof; and,

FIG. 8 is an exploded perspective view of thereof.

The broken lines showing the stick of cleaner in FIG. 8 are for illustrative purpose only and form no part of the claimed design.

1 Claim, 5 Drawing Sheets

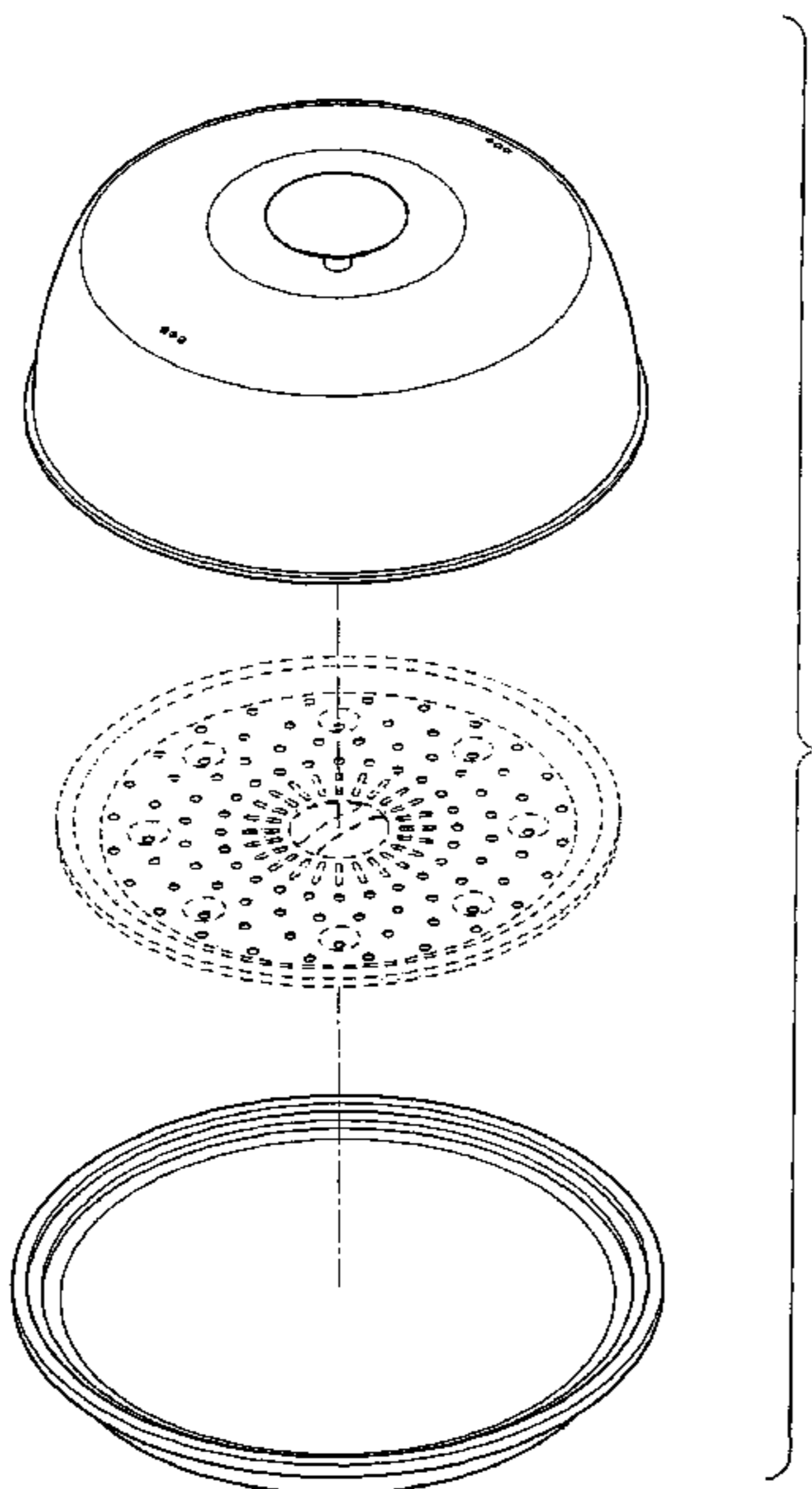


FIG. 1

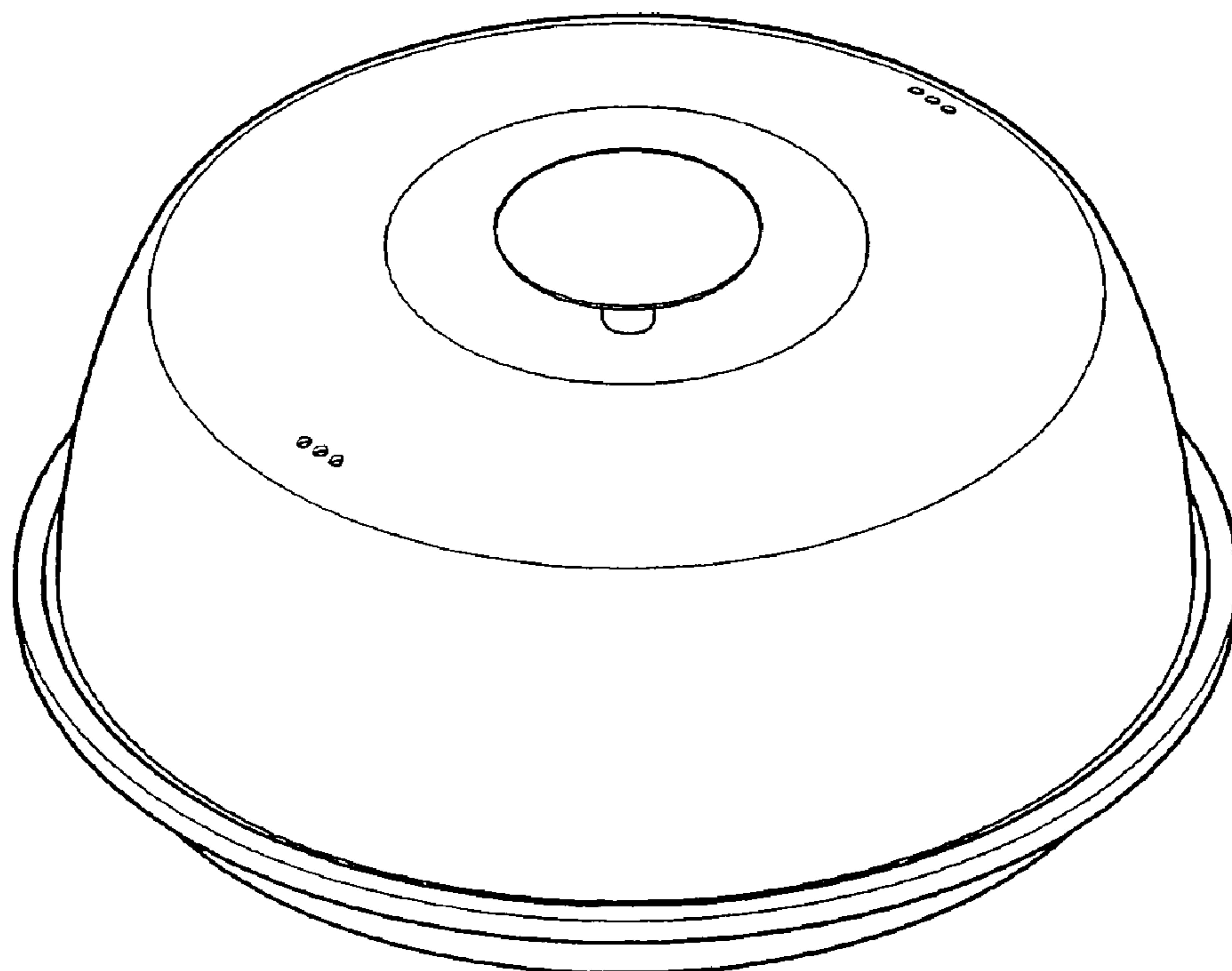


FIG. 2

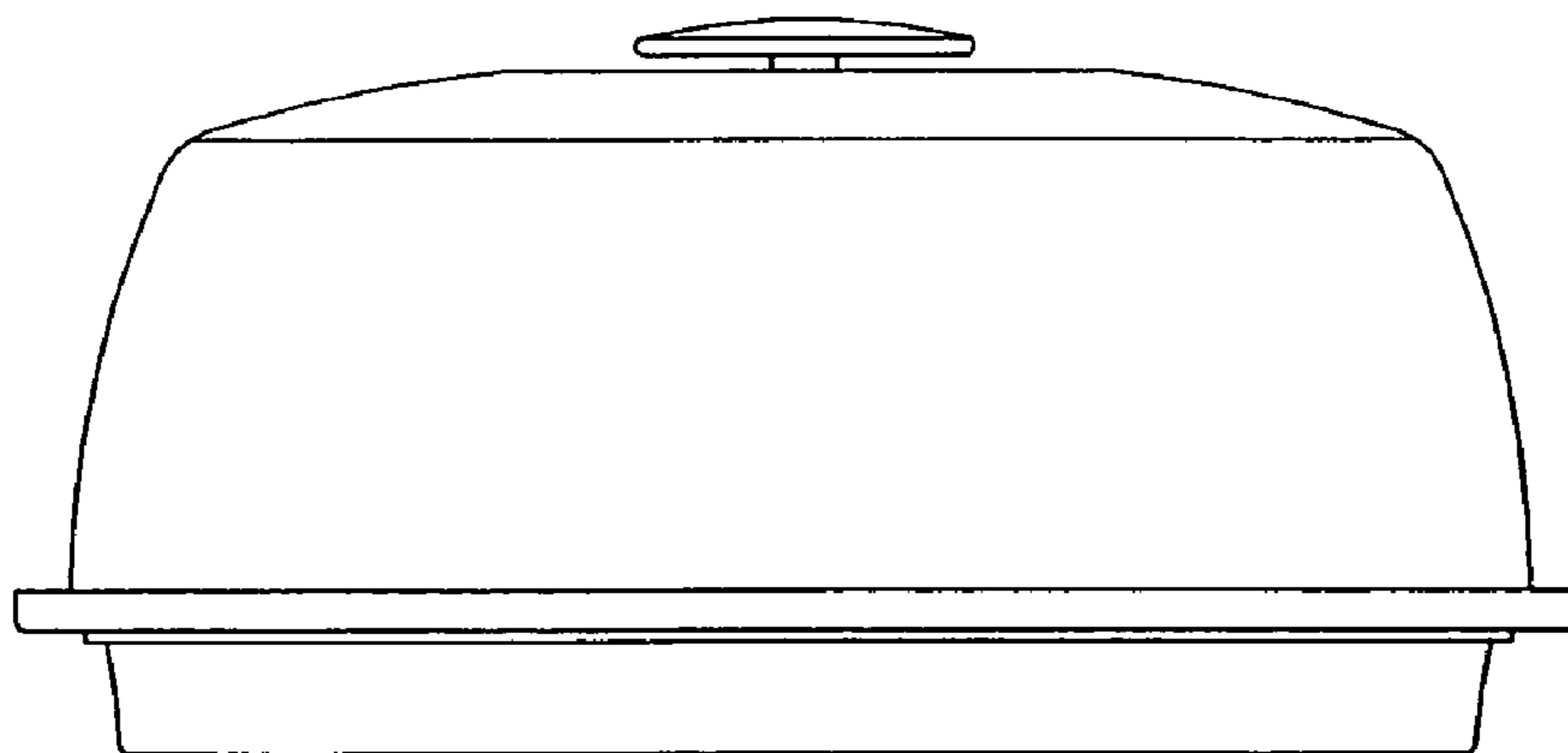


FIG. 3

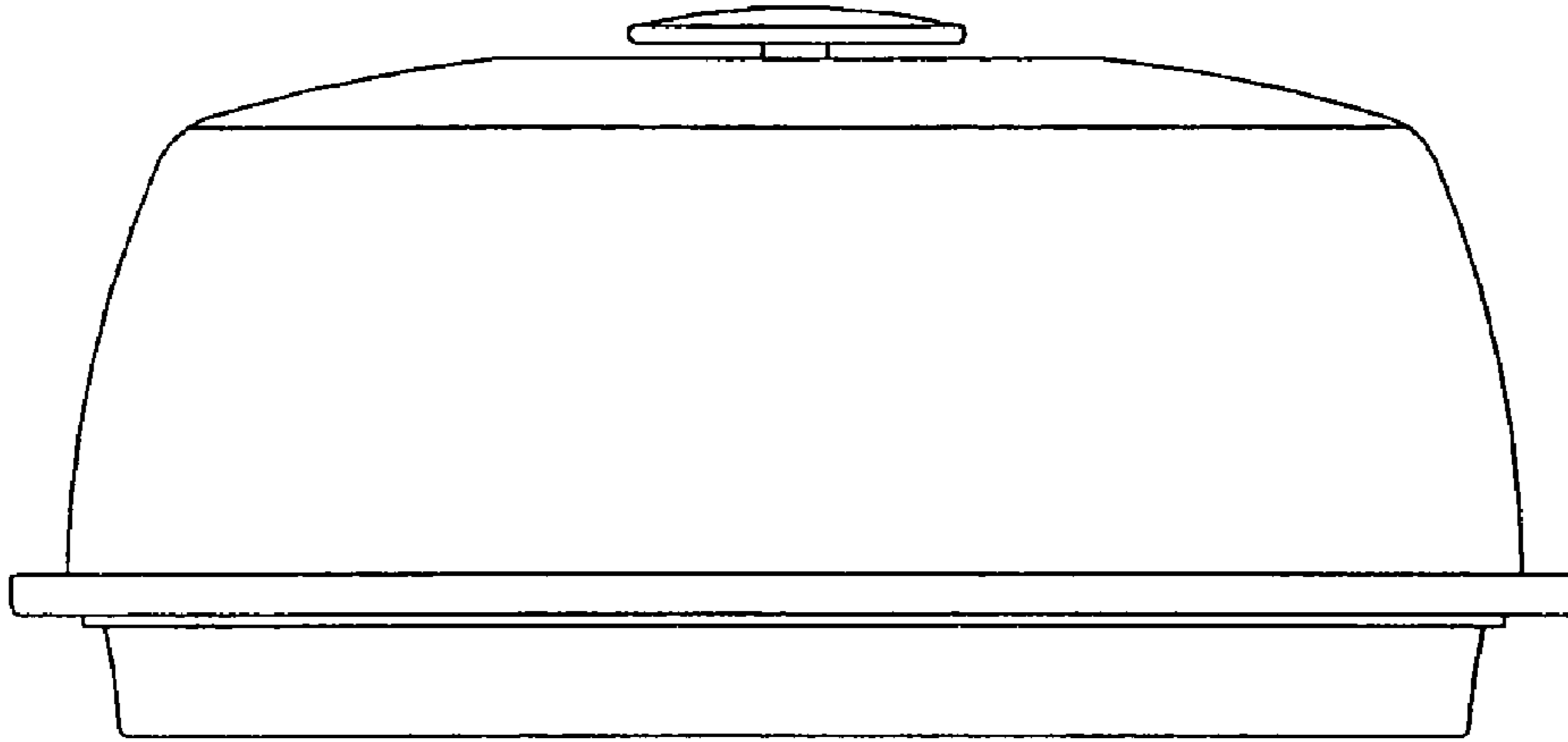


FIG. 4

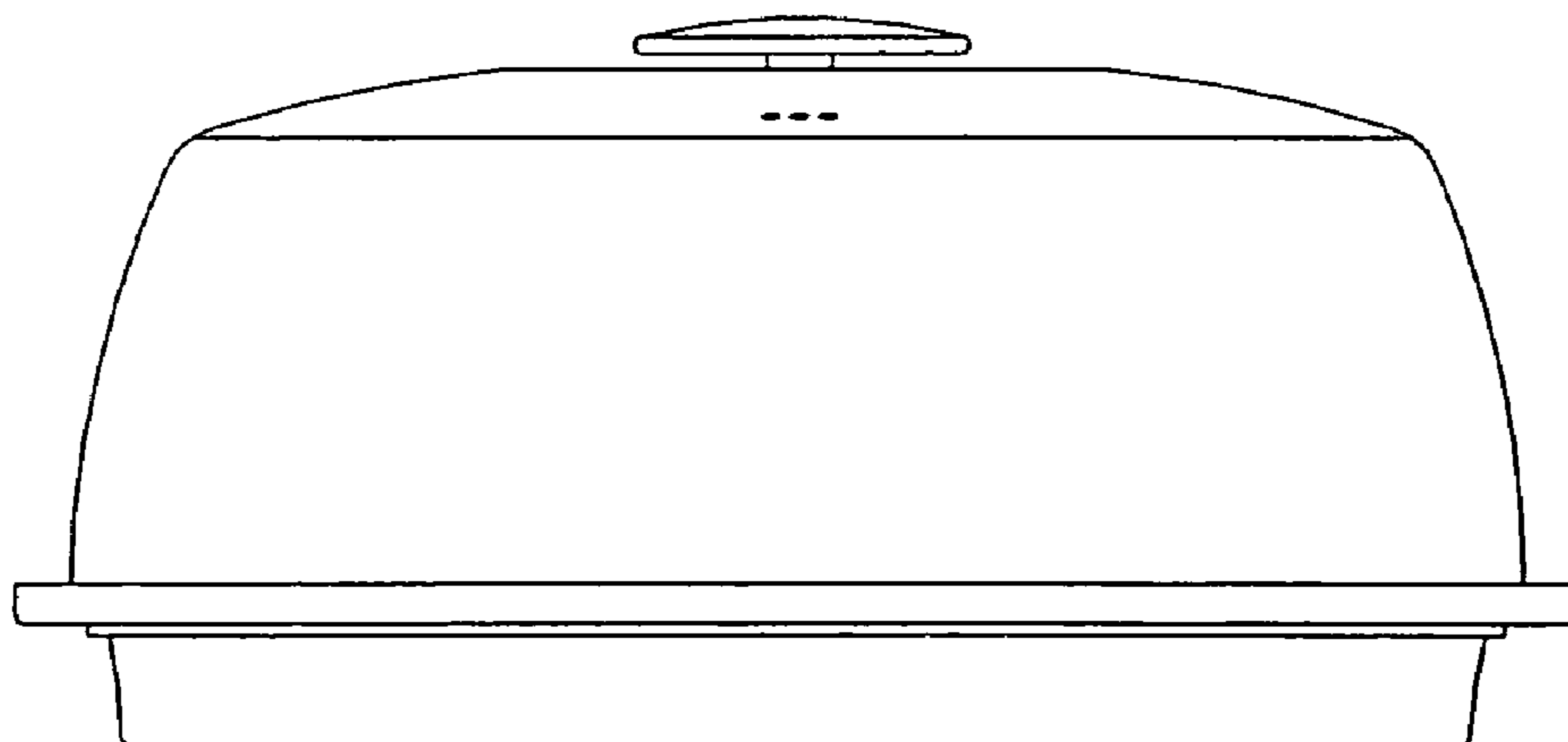


FIG. 5

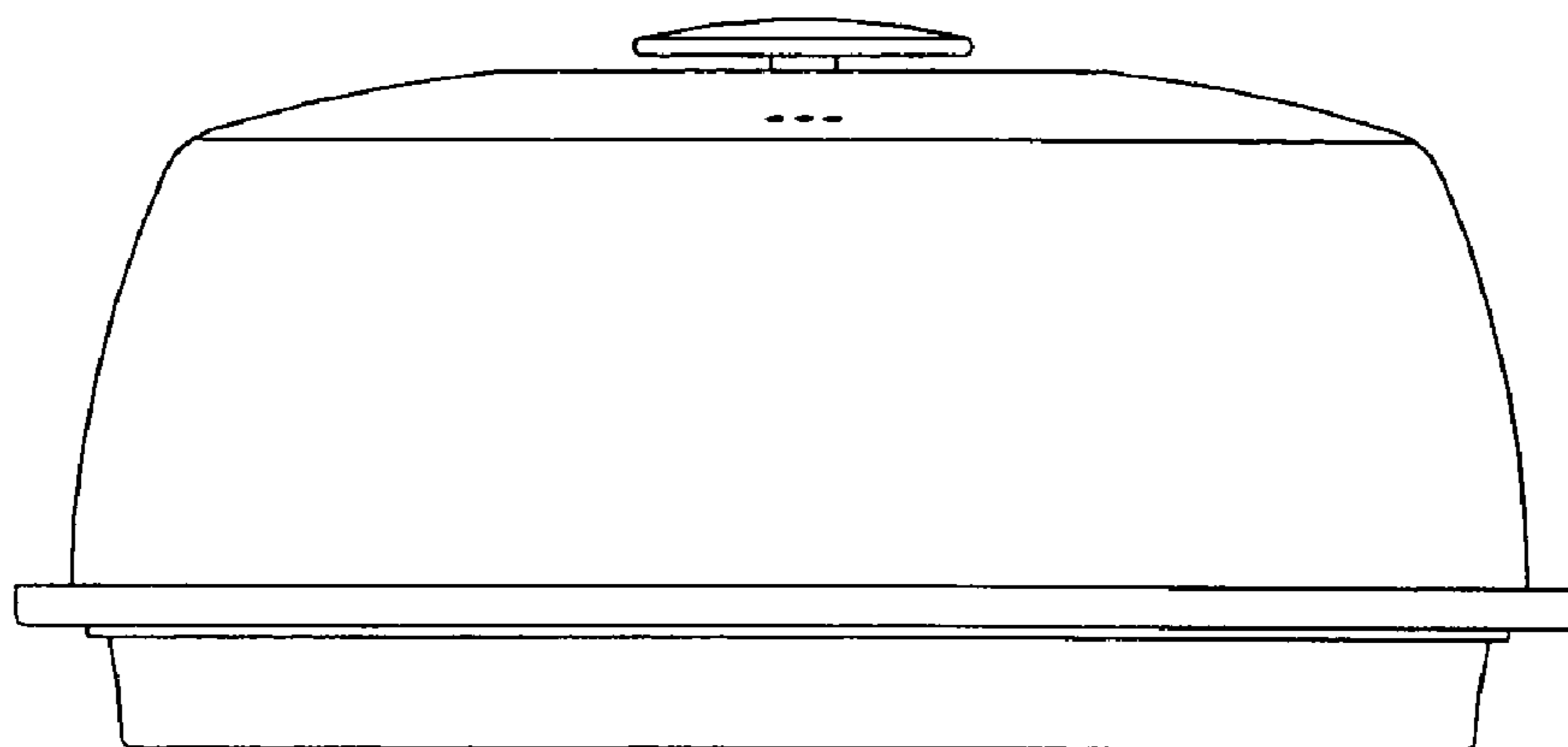


FIG. 6

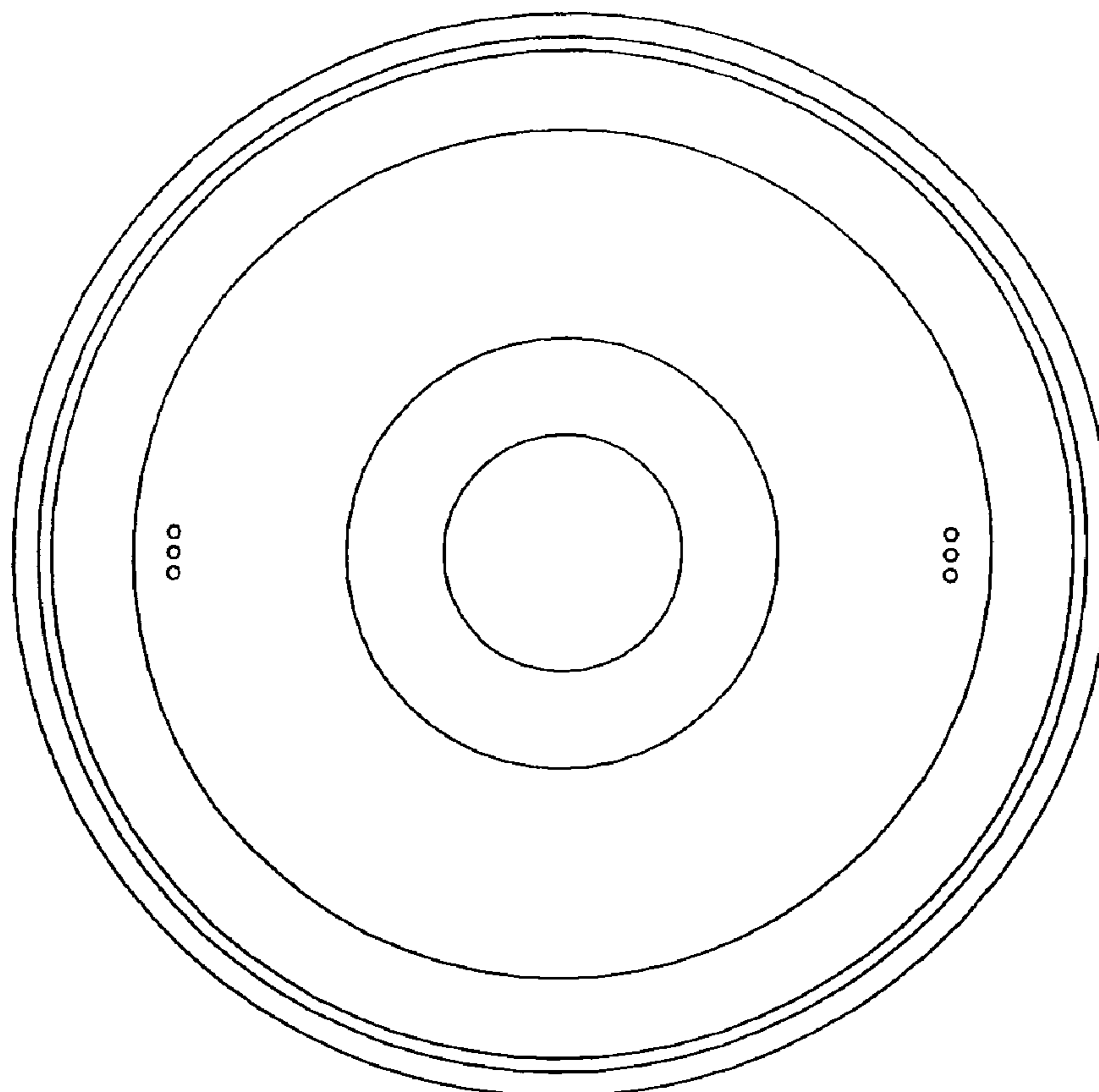


FIG. 7

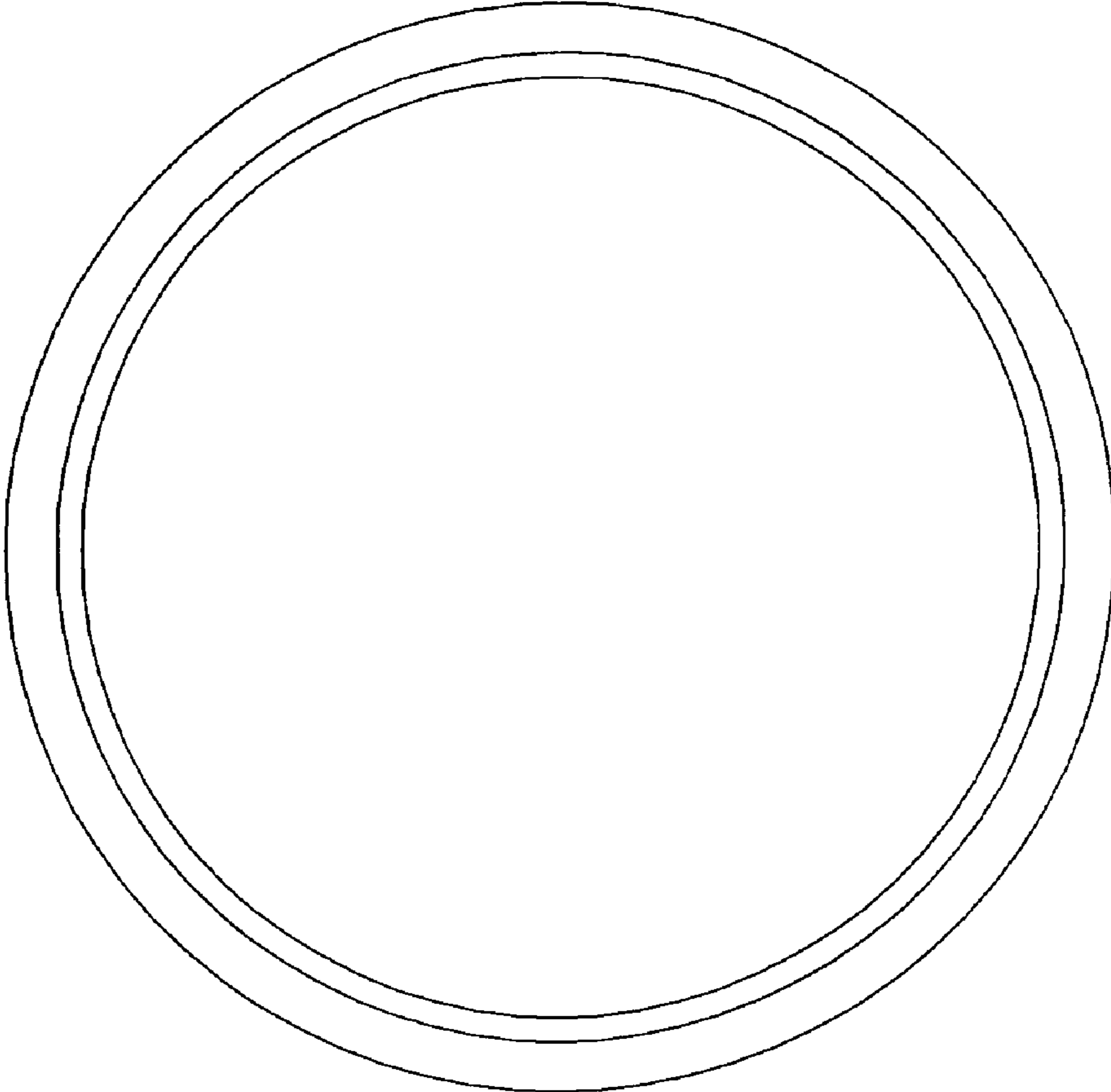


FIG. 8

