



US00D578335S

(12) **United States Design Patent**
Proffitt

(10) **Patent No.:** **US D578,335 S**

(45) **Date of Patent:** **** Oct. 14, 2008**

(54) **GRILL**

(75) Inventor: **Mark T. Proffitt**, Greeneville, TN (US)

(73) Assignee: **Meco Corporation**, Greeneville, TN (US)

(**) Term: **14 Years**

(21) Appl. No.: **29/295,728**

(22) Filed: **Oct. 4, 2007**

Related U.S. Application Data

(63) Continuation-in-part of application No. 29/249,019, filed on Sep. 15, 2006, now Pat. No. Des. 566,456.

(51) **LOC (8) Cl.** **07-02**

(52) **U.S. Cl.** **D7/334**

(58) **Field of Classification Search** D7/332,
D7/334, 335, 336, 402-405; 126/25 R, 25 A,
126/25 AA, 9 R, 37 R, 41 R, 40, 50, 304 R,
126/305, 268, 276; 312/249.8, 249.13
See application file for complete search history.

(56) **References Cited**

U.S. PATENT DOCUMENTS

D521,308 S *	5/2006	Tseng	D7/334
D528,349 S *	9/2006	Chung	D7/334
D535,139 S *	1/2007	Lutz	D7/334
D541,575 S *	5/2007	Lutz	D7/334
D541,576 S *	5/2007	Lutz	D7/334
D546,116 S *	7/2007	Tseng	D7/334
D549,511 S *	8/2007	Chung	D7/334
D549,512 S *	8/2007	Chung	D7/334
D549,514 S *	8/2007	Chung	D7/334

D560,418 S * 1/2008 Chau et al. D7/334

* cited by examiner

Primary Examiner—Ruth McInroy

(74) *Attorney, Agent, or Firm*—McGuireWoods LLP

(57) **CLAIM**

I claim the ornamental design for a grill, as shown and described.

DESCRIPTION

FIG. 1 is a perspective side view of the first embodiment of the grill;

FIG. 2 is a front view of the grill shown in FIG. 1;

FIG. 3 is a side view of the grill shown in FIG. 1;

FIG. 4 is a top view of the grill shown in FIG. 1.

FIG. 5 is a perspective side view of the second embodiment of the grill;

FIG. 6 is a front view of the grill shown in FIG. 5;

FIG. 7 is a side view of the grill shown in FIG. 5;

FIG. 8 is a top view of the grill shown in FIG. 5;

FIG. 9 is a perspective side view of the third embodiment of the grill;

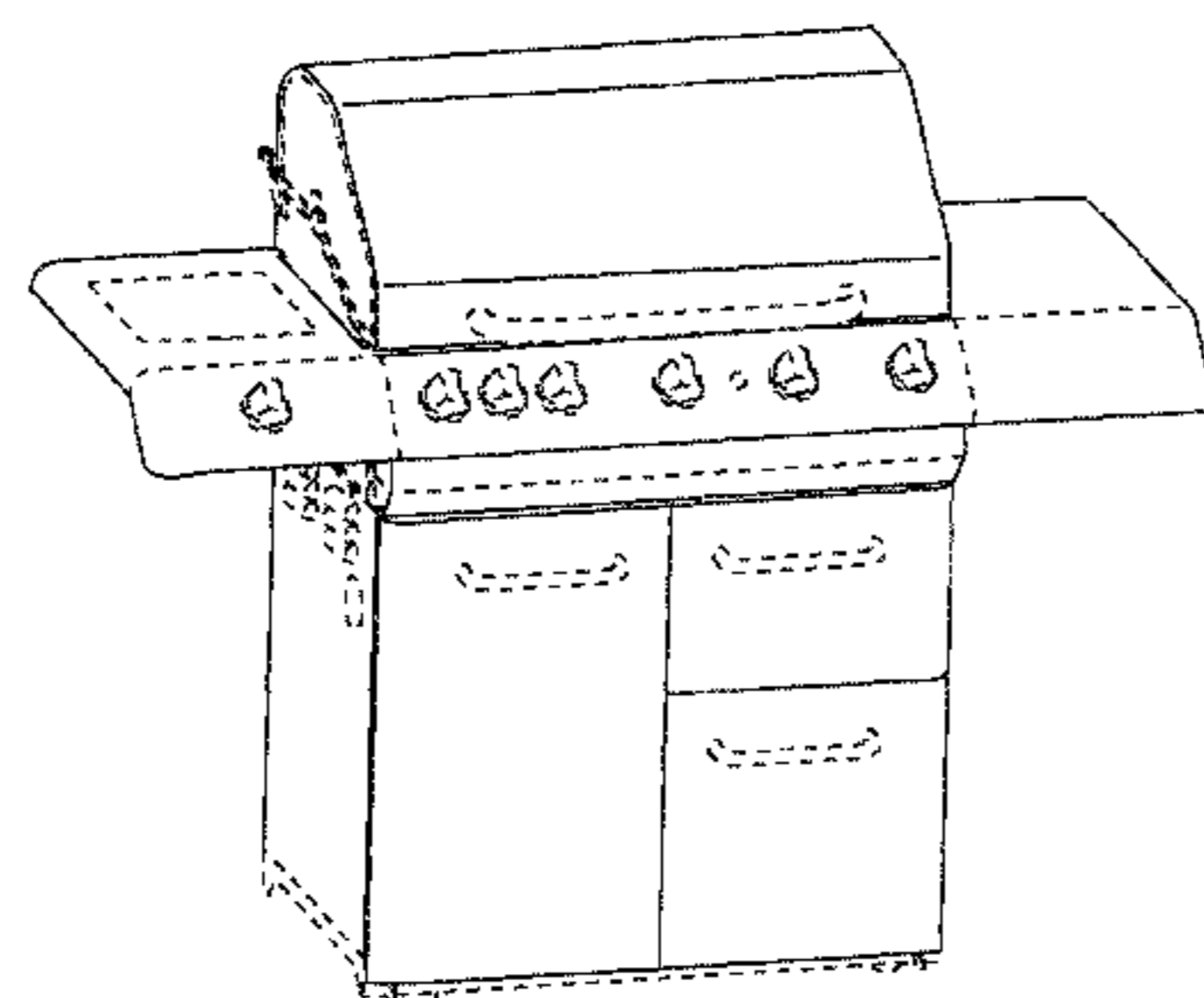
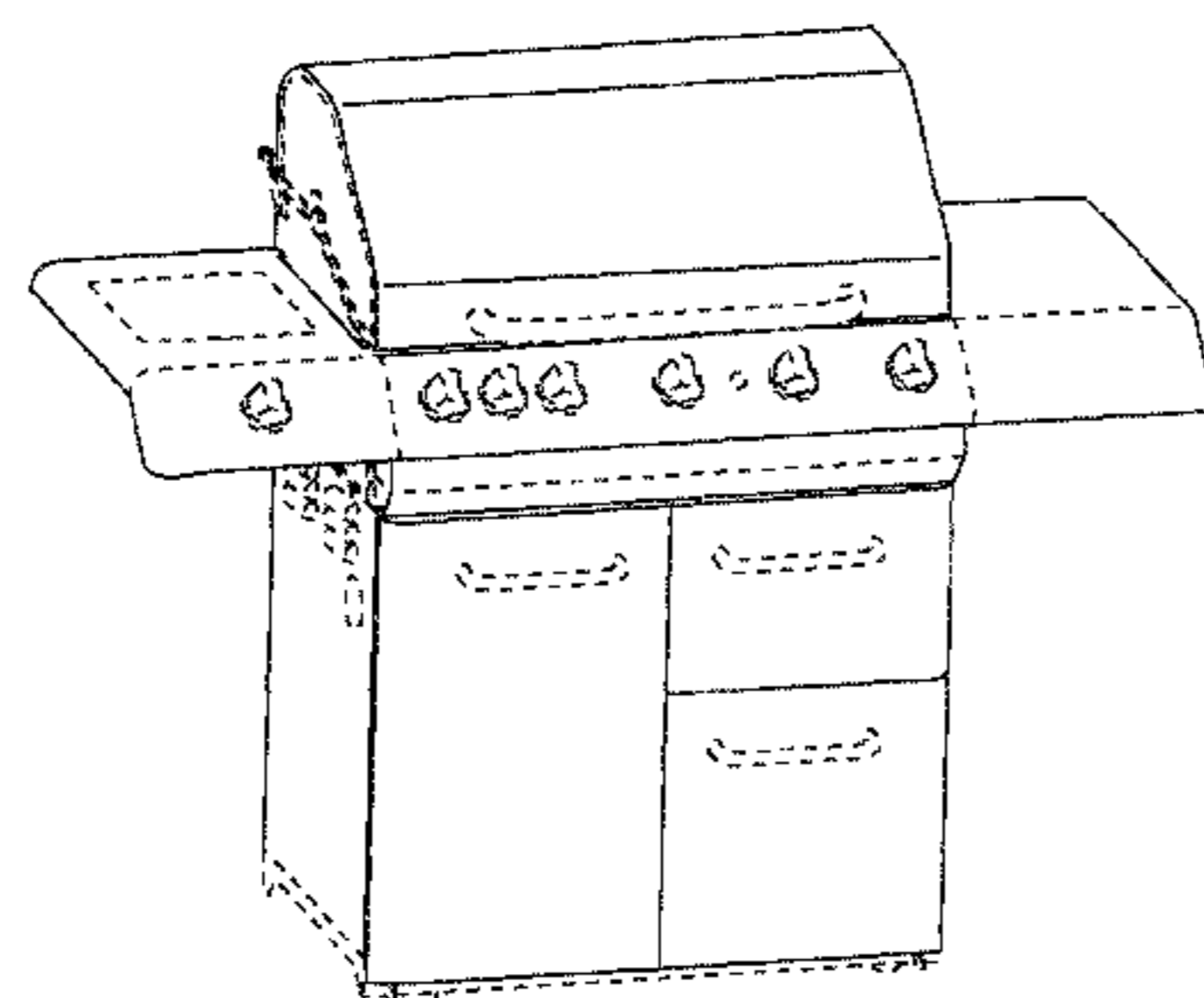
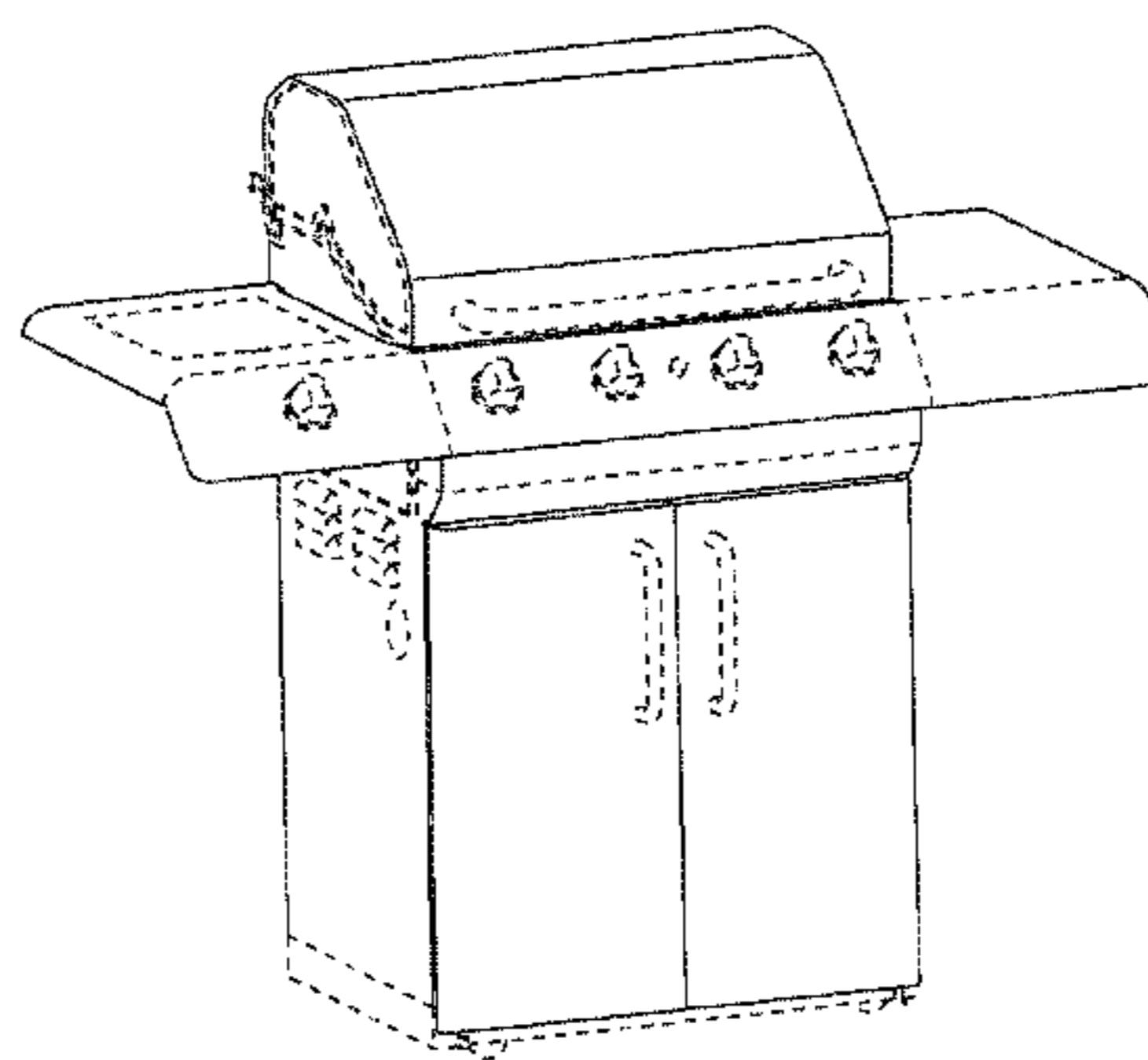
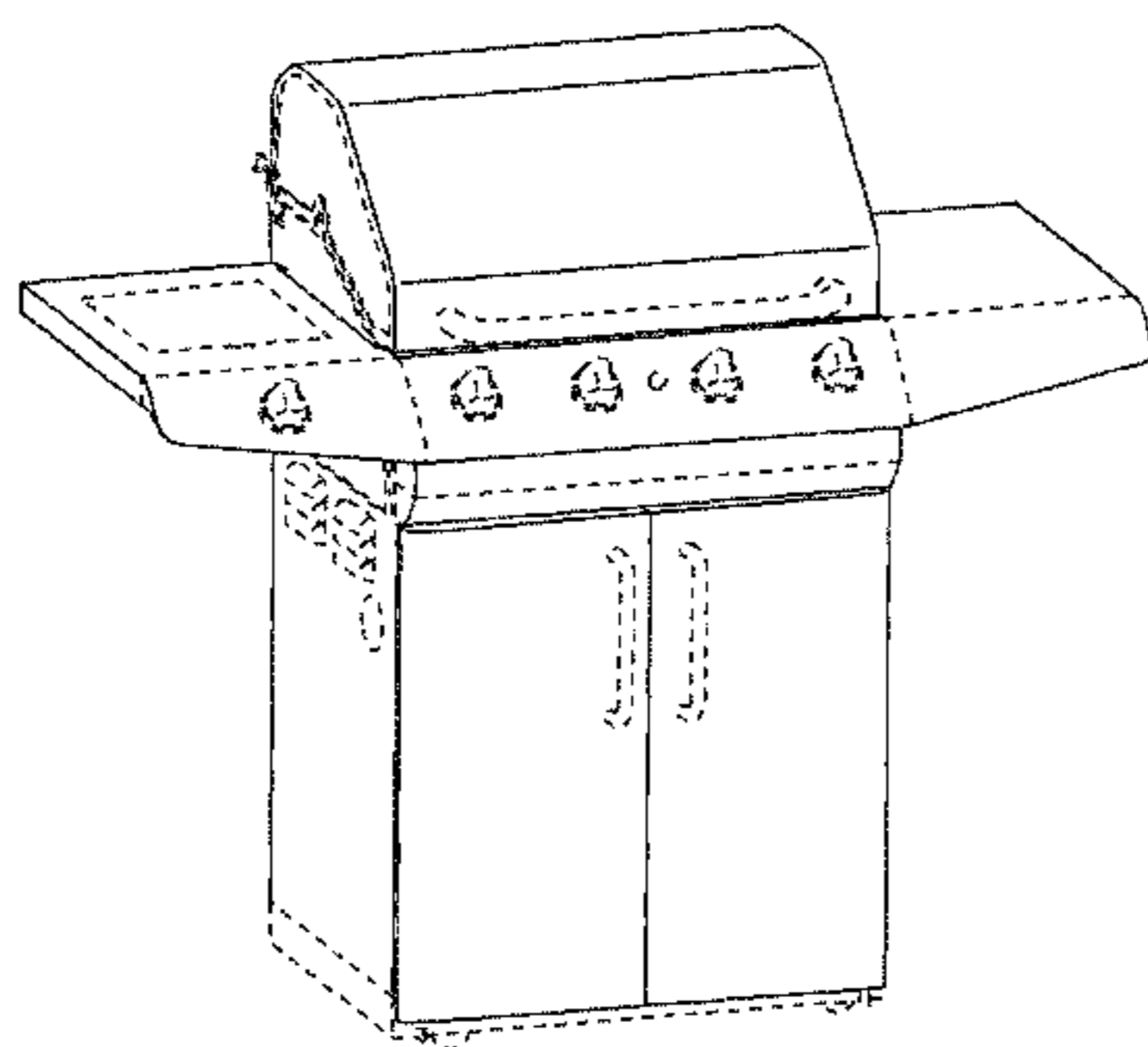
FIG. 10 is a front view of the grill shown in FIG. 9;

FIG. 11 is a side view of the grill shown in FIG. 9; and,

FIG. 12 is a top view of the grill shown in FIG. 9.

The details shown in broken lines form no part of the claimed design.

1 Claim, 12 Drawing Sheets



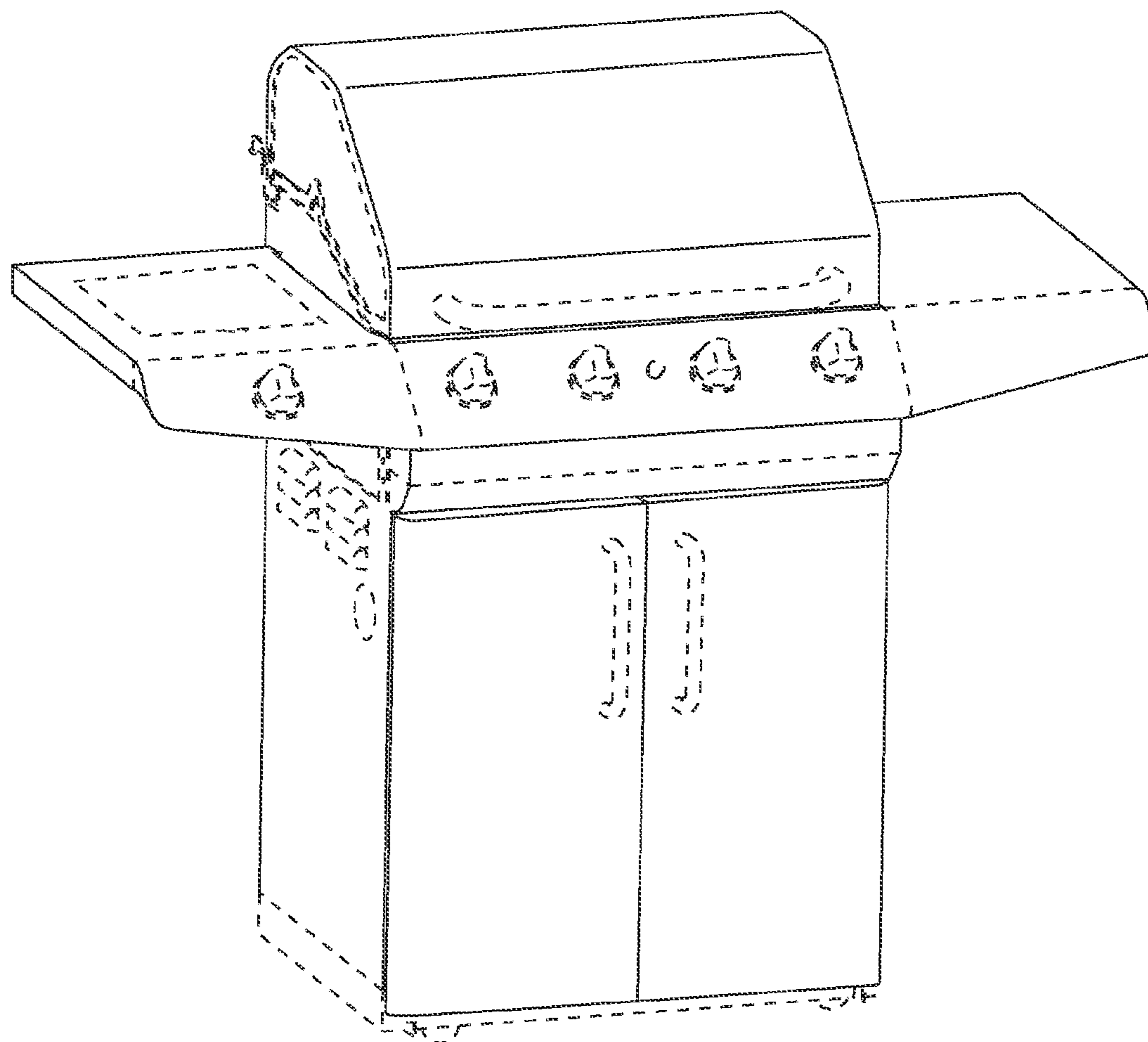


FIG. 1

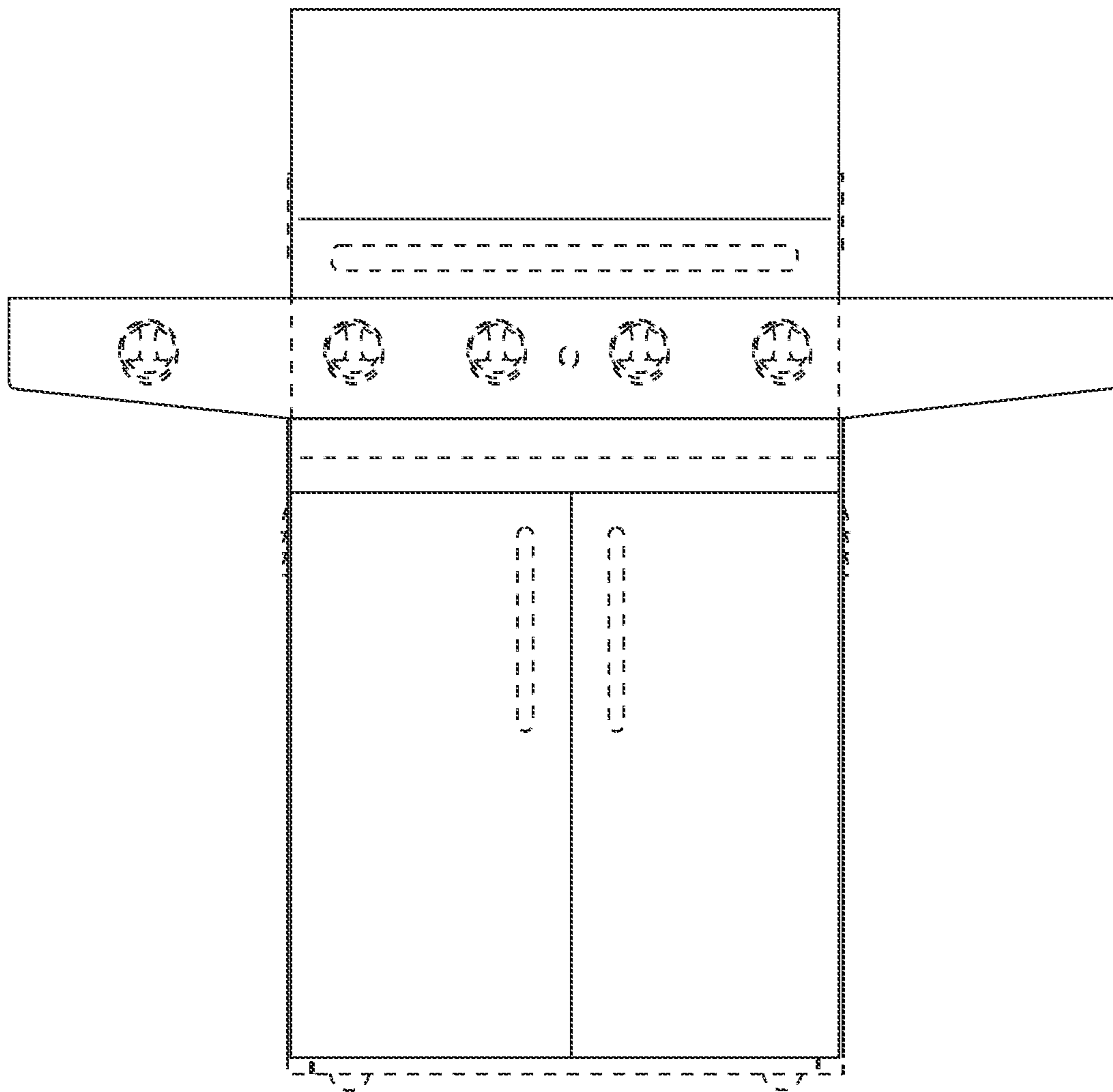


FIG. 2

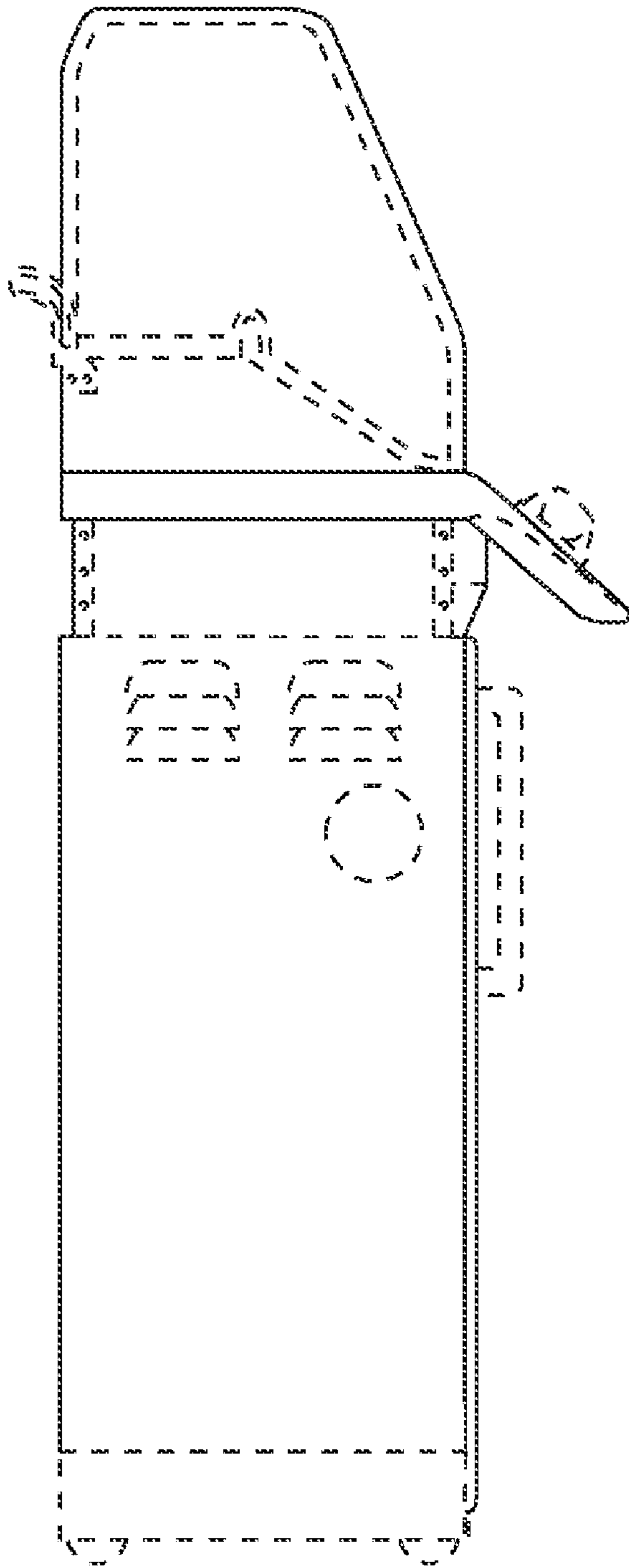


FIG. 3

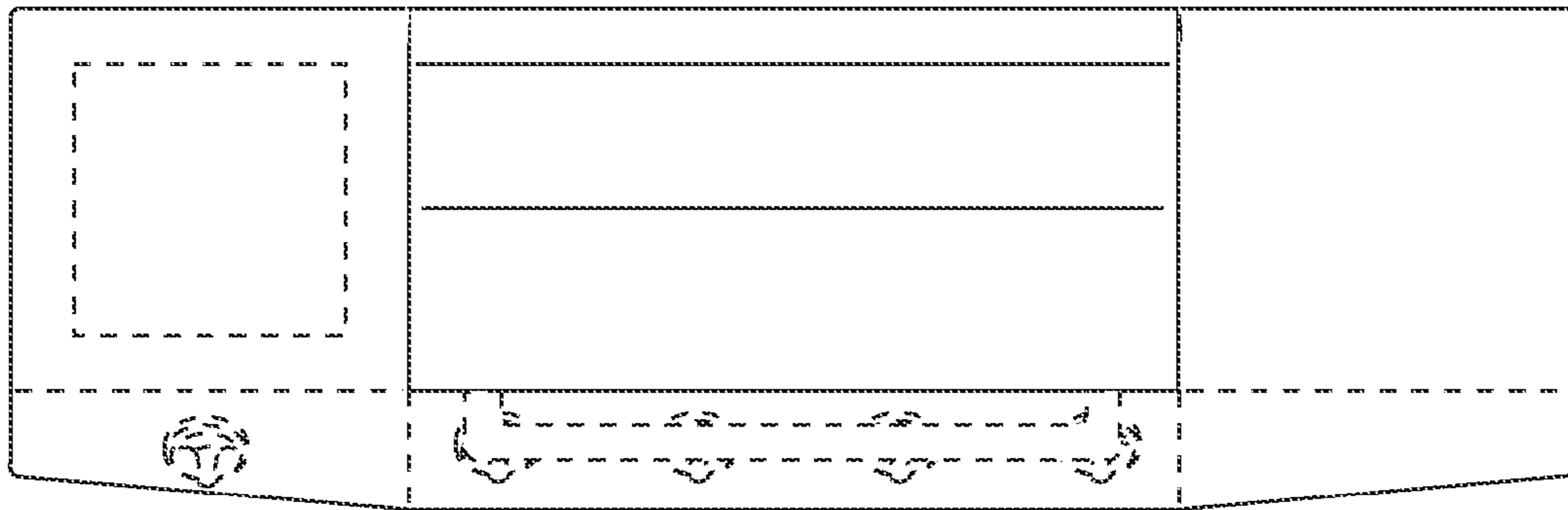


FIG. 4

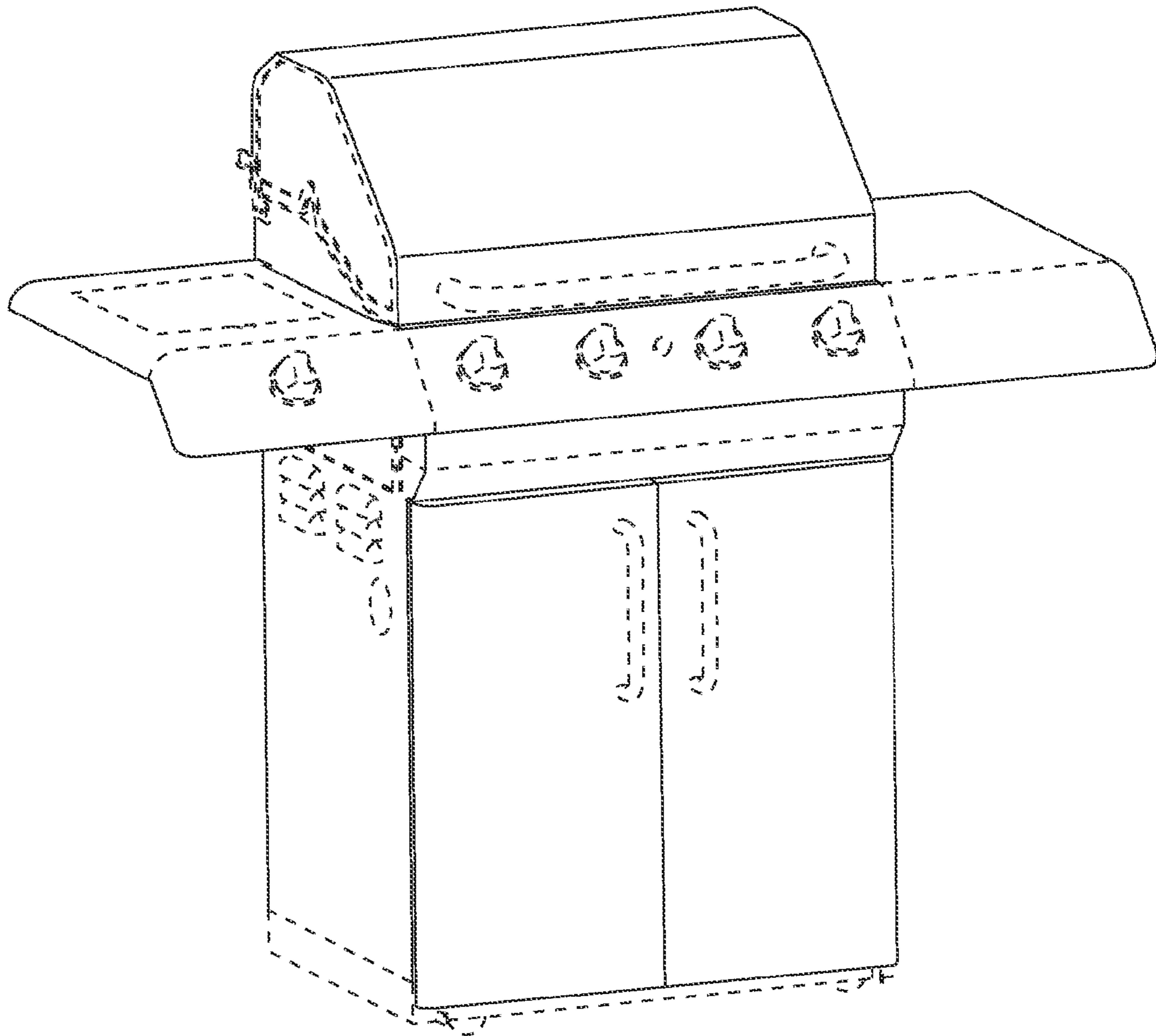


FIG. 5

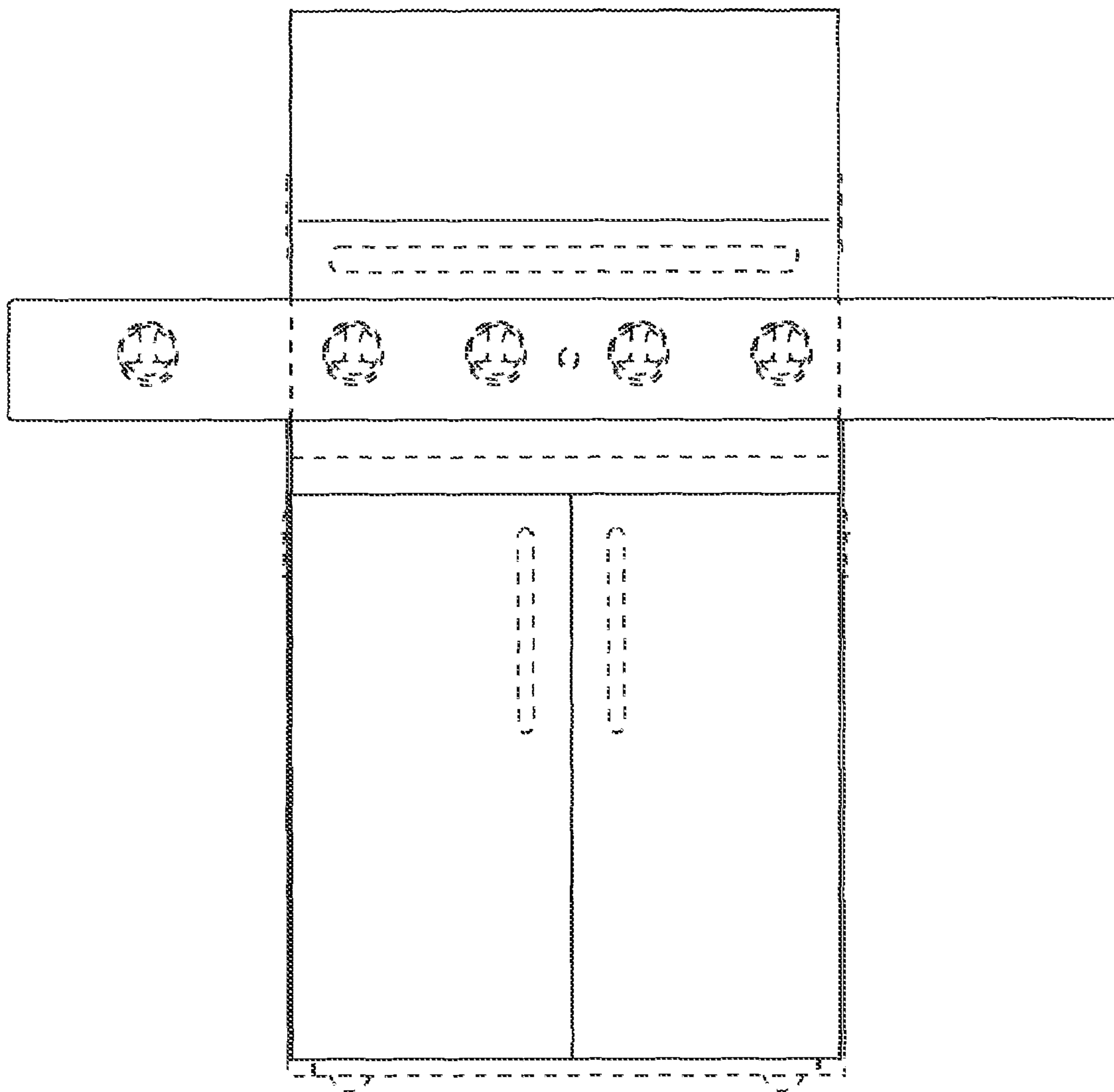


FIG. 6

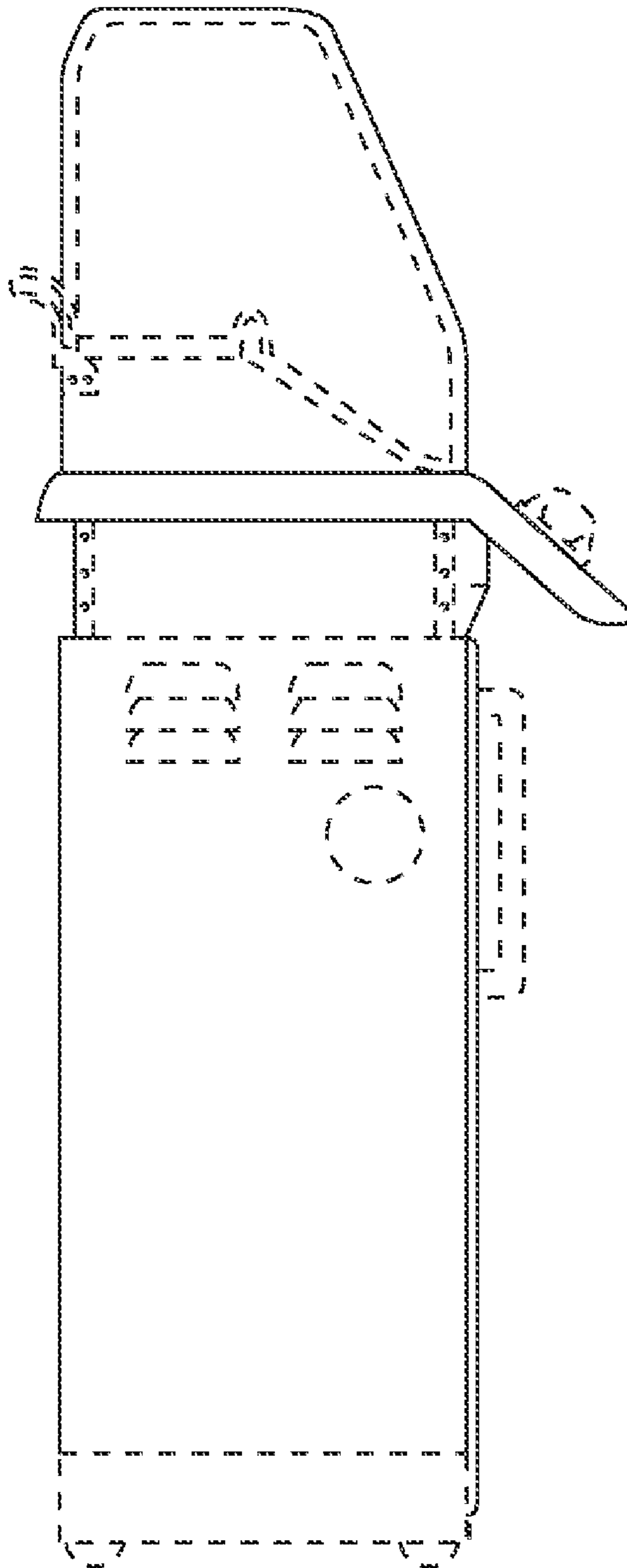


FIG. 7

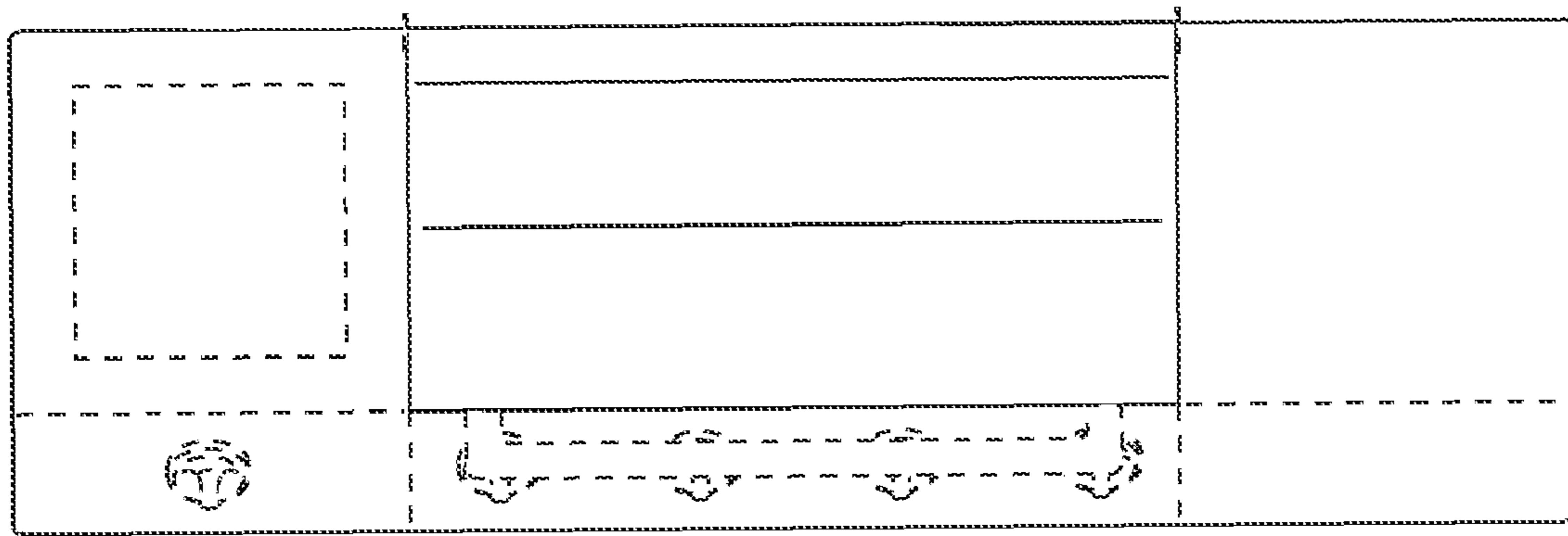


FIG. 8

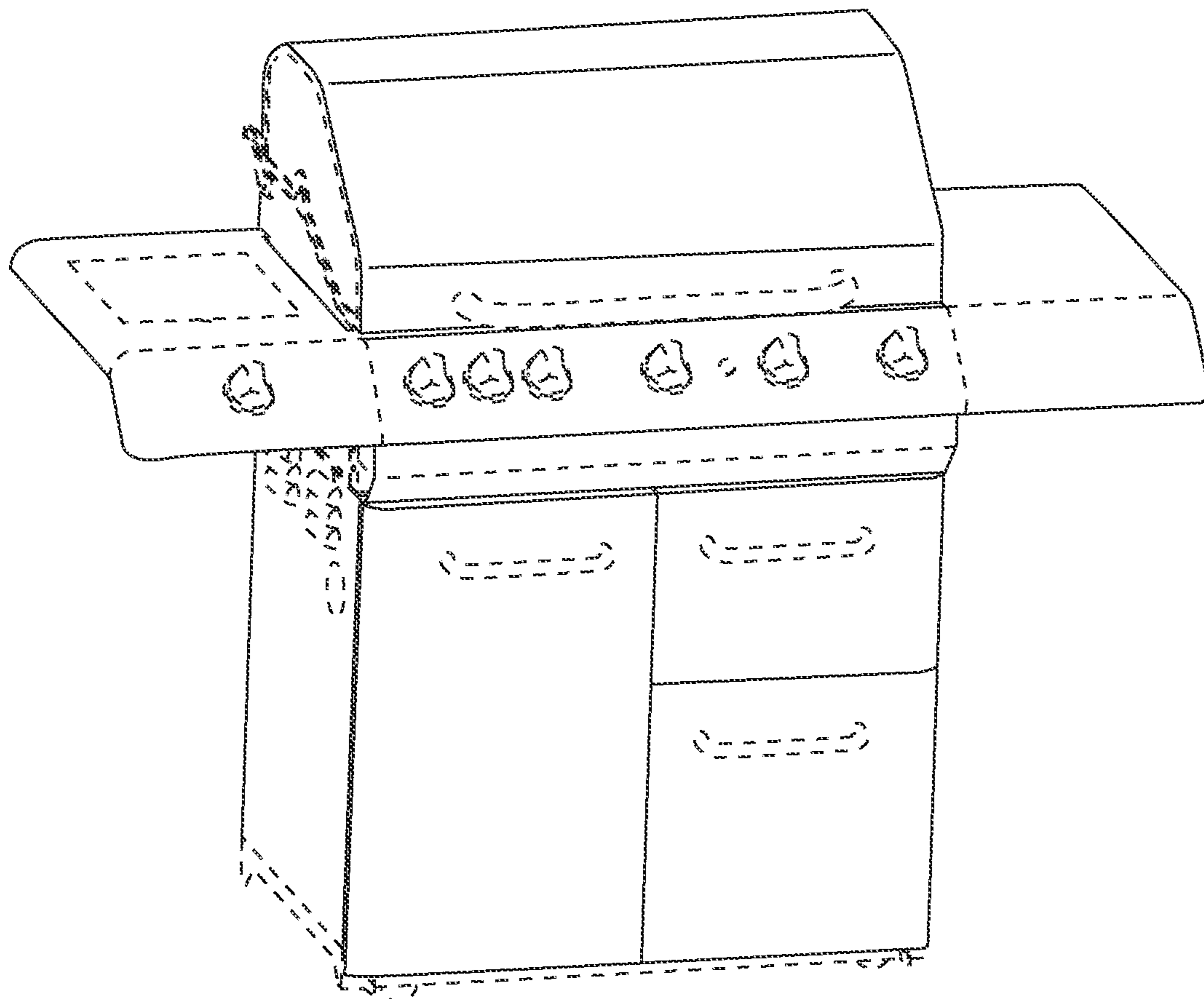


FIG. 9

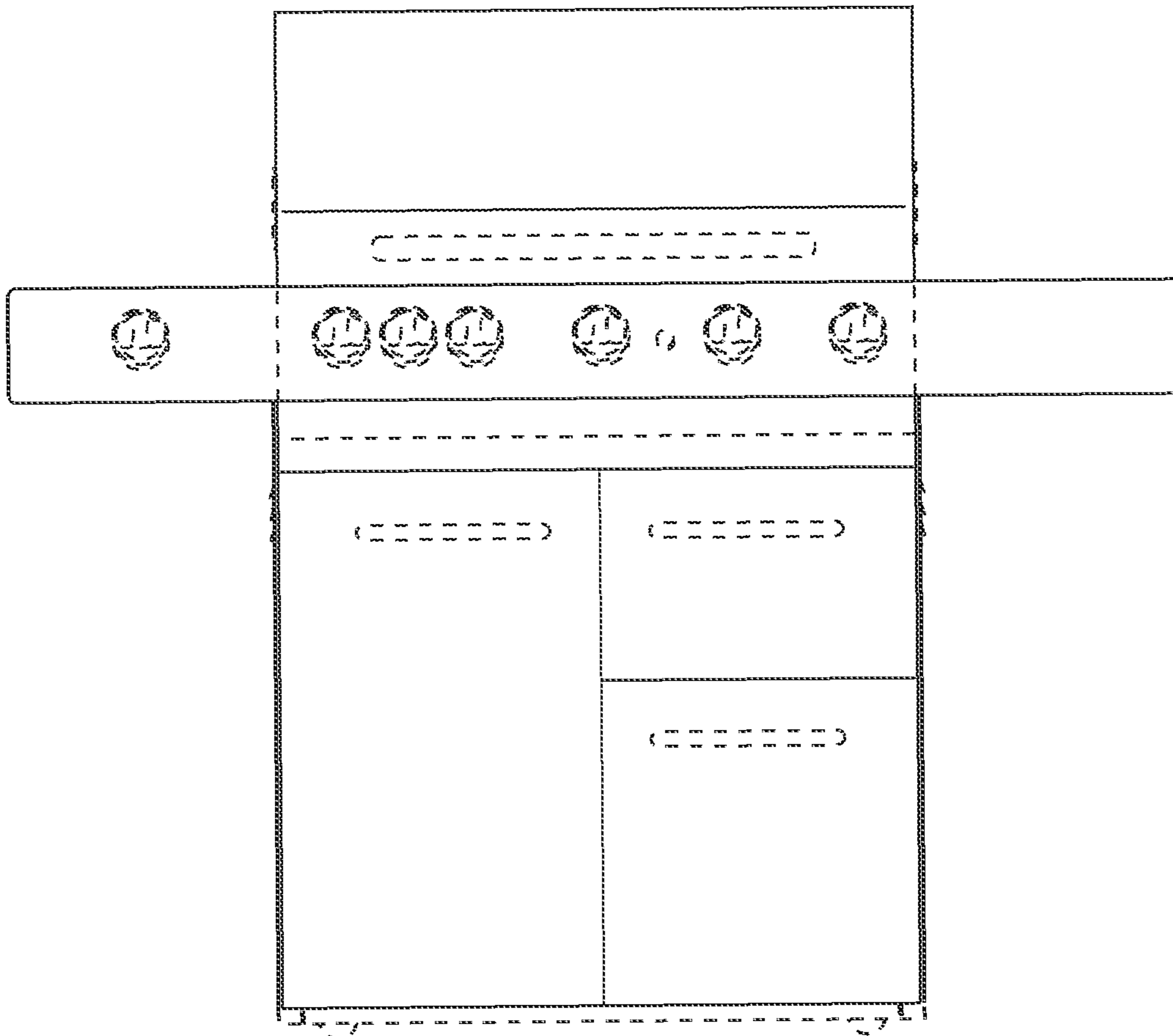


FIG. 10

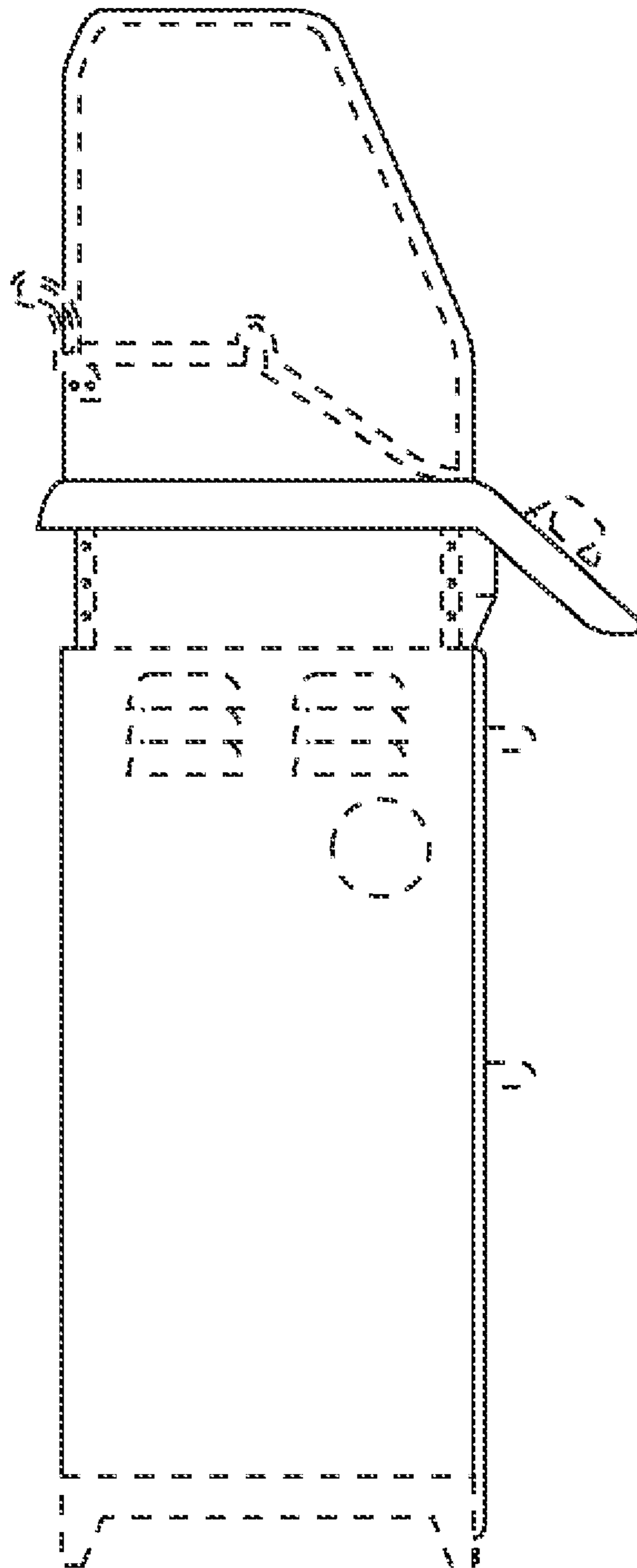


FIG. 11

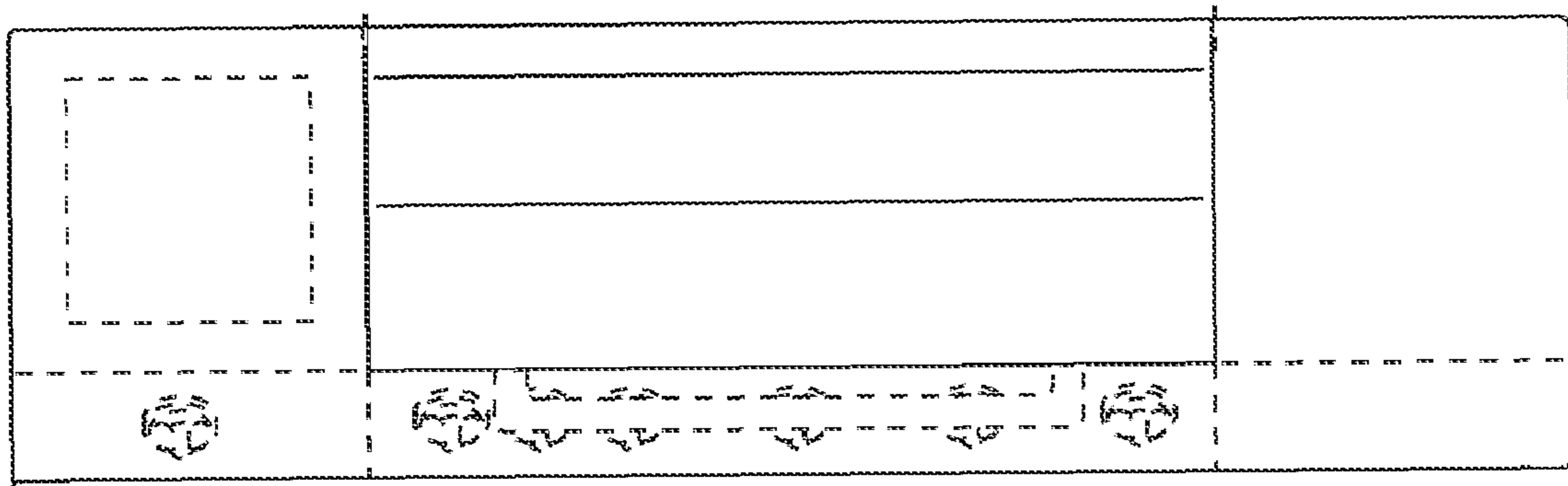


FIG. 12