



US00D578334S

(12) **United States Design Patent**  
**Abrahams**

(10) **Patent No.:** **US D578,334 S**

(45) **Date of Patent:** **\*\* Oct. 14, 2008**

(54) **CHARCOAL GRILL**

D493,328 S \* 7/2004 Wood ..... D7/332  
6,899,020 B1 \* 5/2005 Clark ..... 99/482

(76) Inventor: **Peter Abrahams**, 225-40 113<sup>th</sup> Ave.,  
Queens Village, NY (US) 11429

\* cited by examiner

(\*\*) Term: **14 Years**

*Primary Examiner*—Ruth McInroy

(74) *Attorney, Agent, or Firm*—Steven Horowitz

(21) Appl. No.: **29/294,230**

(22) Filed: **Dec. 28, 2007**

(57) **CLAIM**

The ornamental design for a charcoal grill, as shown and described.

(51) **LOC (8) Cl.** ..... **07-02**

(52) **U.S. Cl.** ..... **D7/334**

(58) **Field of Classification Search** ..... D7/332–338,  
D7/402–405; 126/25 R, 29–30, 25 A, 25 AA,  
126/9 R, 9 B, 8, 38, 41 R, 40, 50, 304 R,  
126/305, 37 R, 39 B, 268, 276; 99/450, 419,  
99/444–445, 449, 481, 482; 446/153  
See application file for complete search history.

**DESCRIPTION**

FIG. 1 is a perspective view of a charcoal grill showing our new design;

FIG. 2 is a front view thereof;

FIG. 3 is a rear view thereof;

FIG. 4 is a left side view thereof;

FIG. 5 is a right side view thereof;

FIG. 6 is a top view thereof; and,

FIG. 7 is a bottom view thereof.

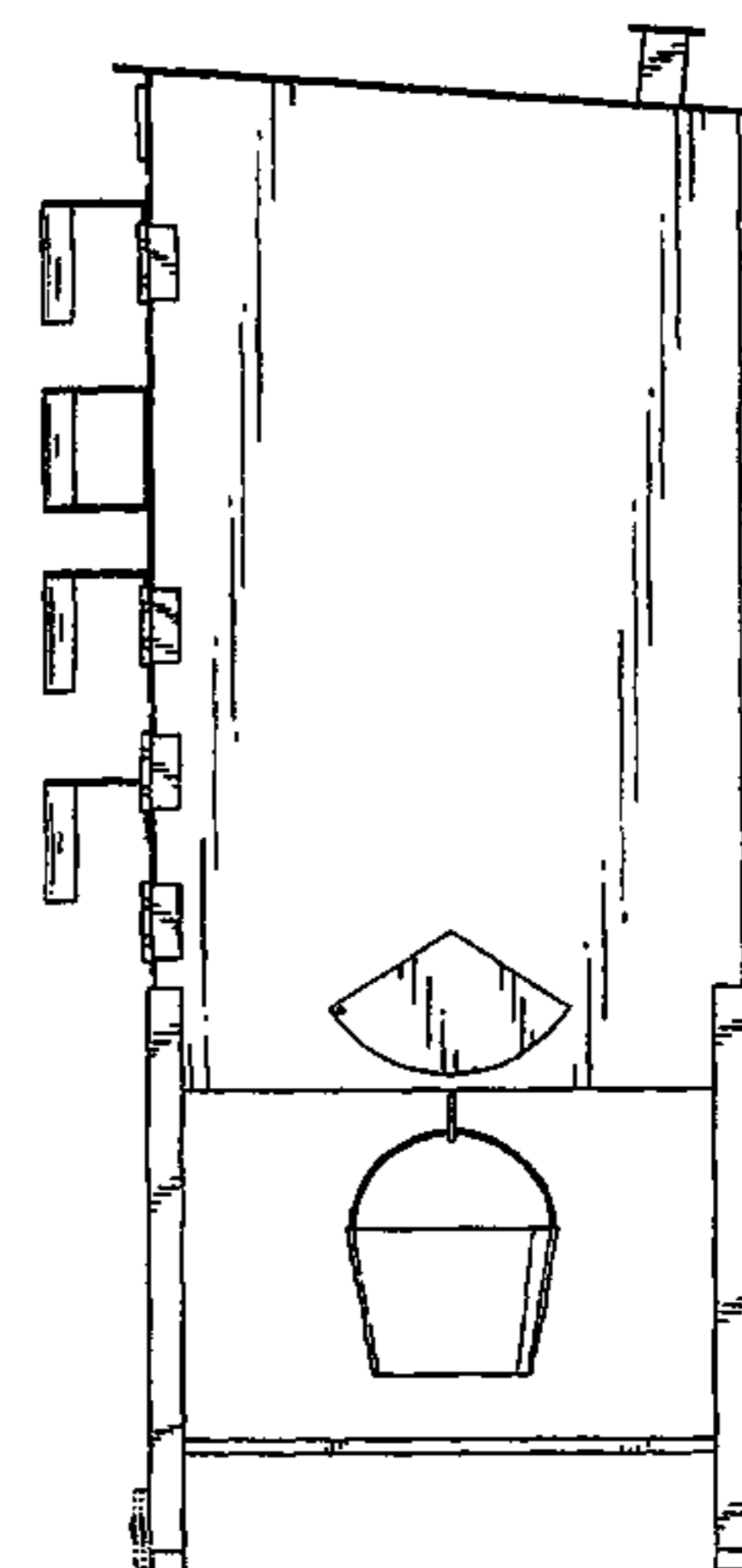
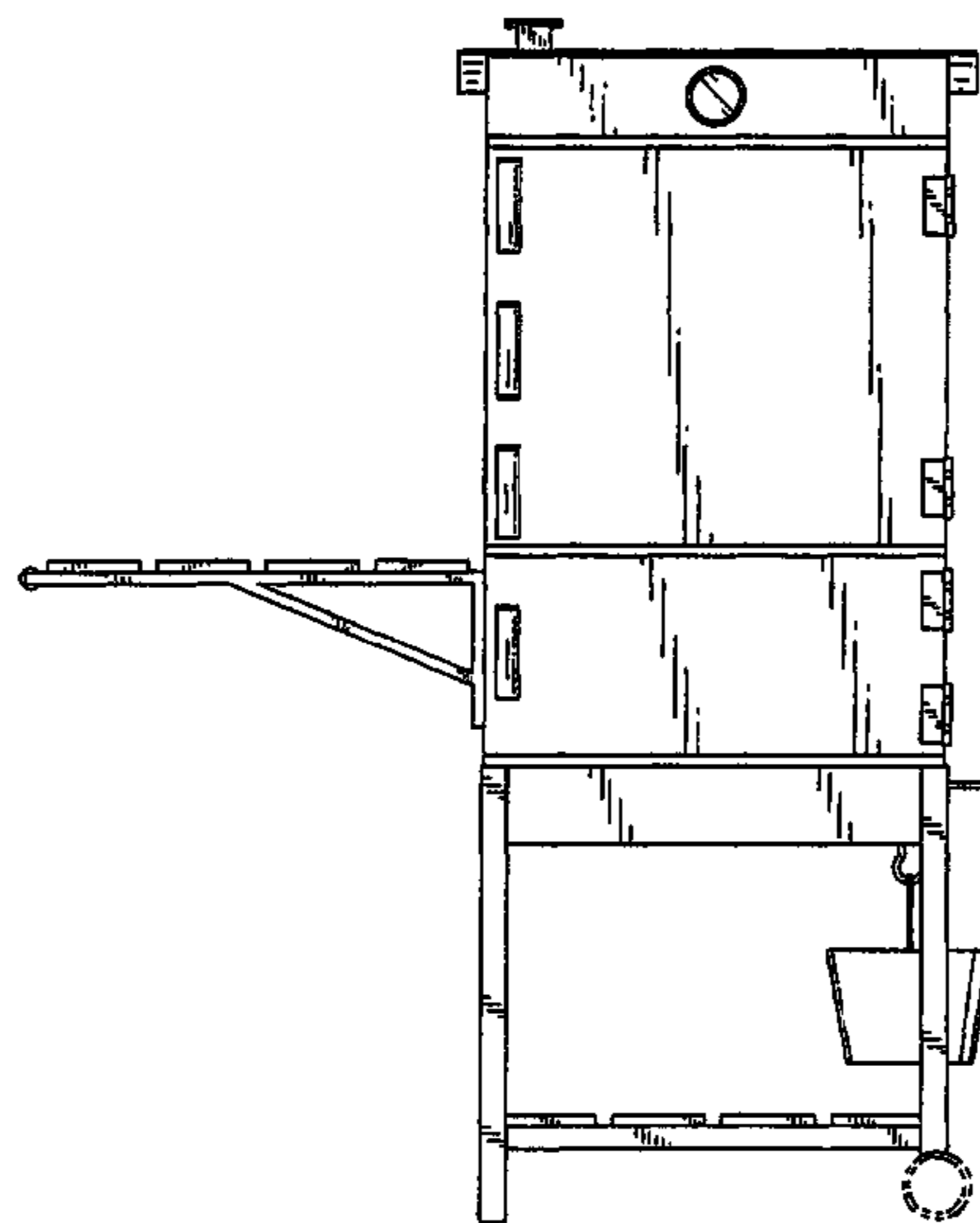
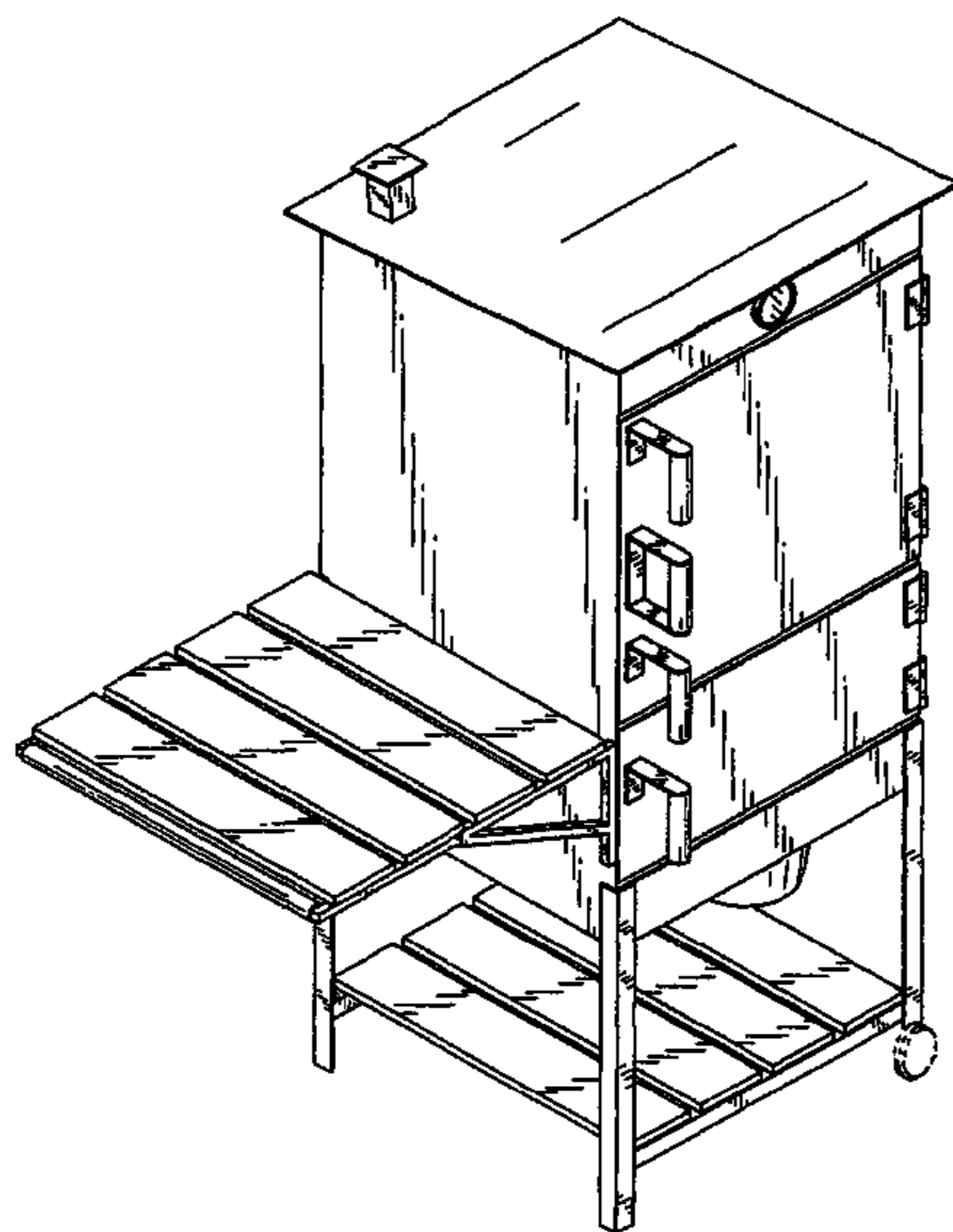
The wheels shown in broken lines form no part of the claimed design.

(56) **References Cited**

**U.S. PATENT DOCUMENTS**

D253,683 S *	12/1979	Goetz	.....	D7/332
D267,769 S *	2/1983	Pope	.....	D7/332
5,078,049 A *	1/1992	Glanton	.....	99/482
D460,893 S *	7/2002	Rowe	.....	D7/334
D470,356 S *	2/2003	Kipps	.....	D7/332
6,708,604 B1 *	3/2004	Deichler, Jr.	.....	99/482

**1 Claim, 5 Drawing Sheets**



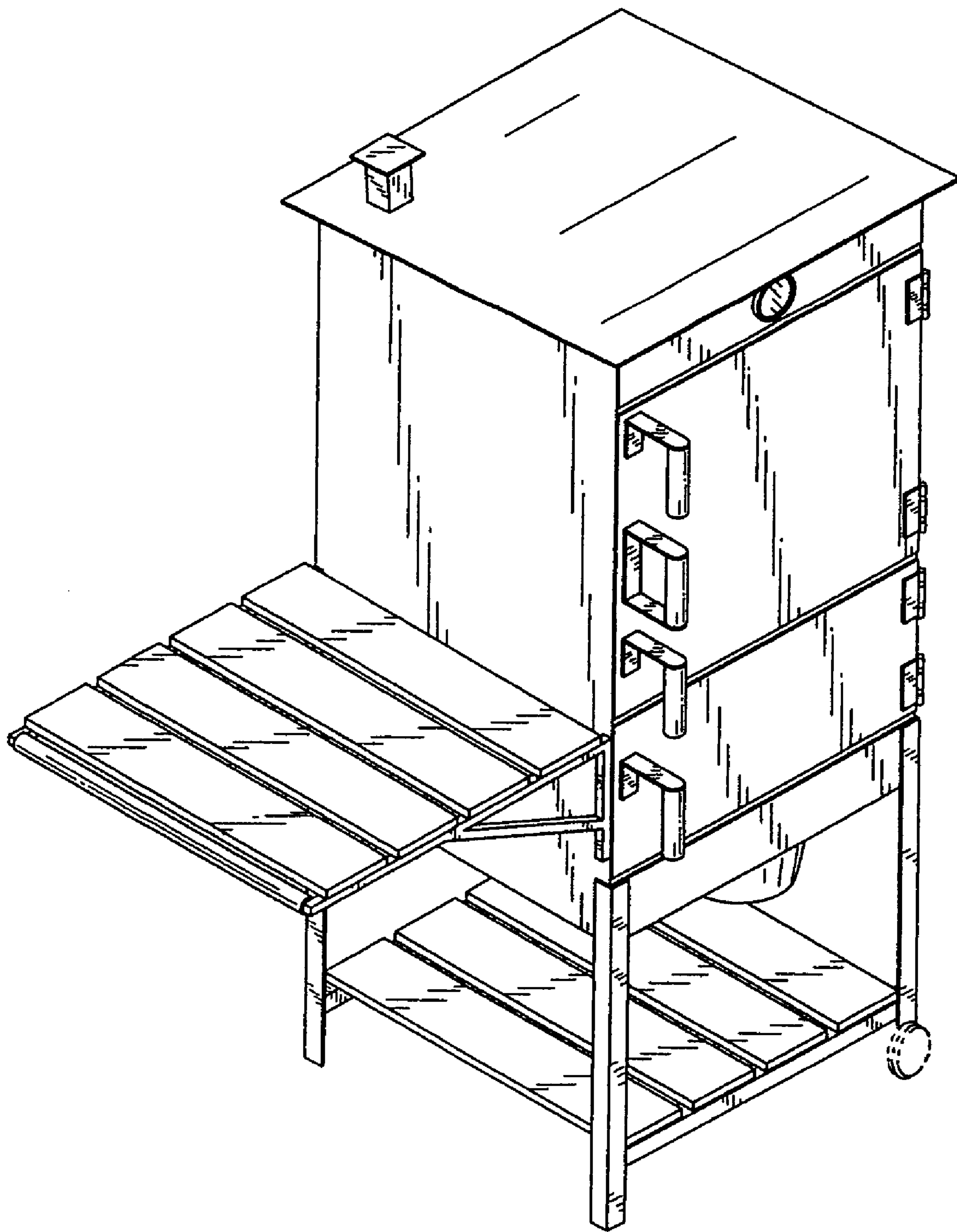


FIG.1

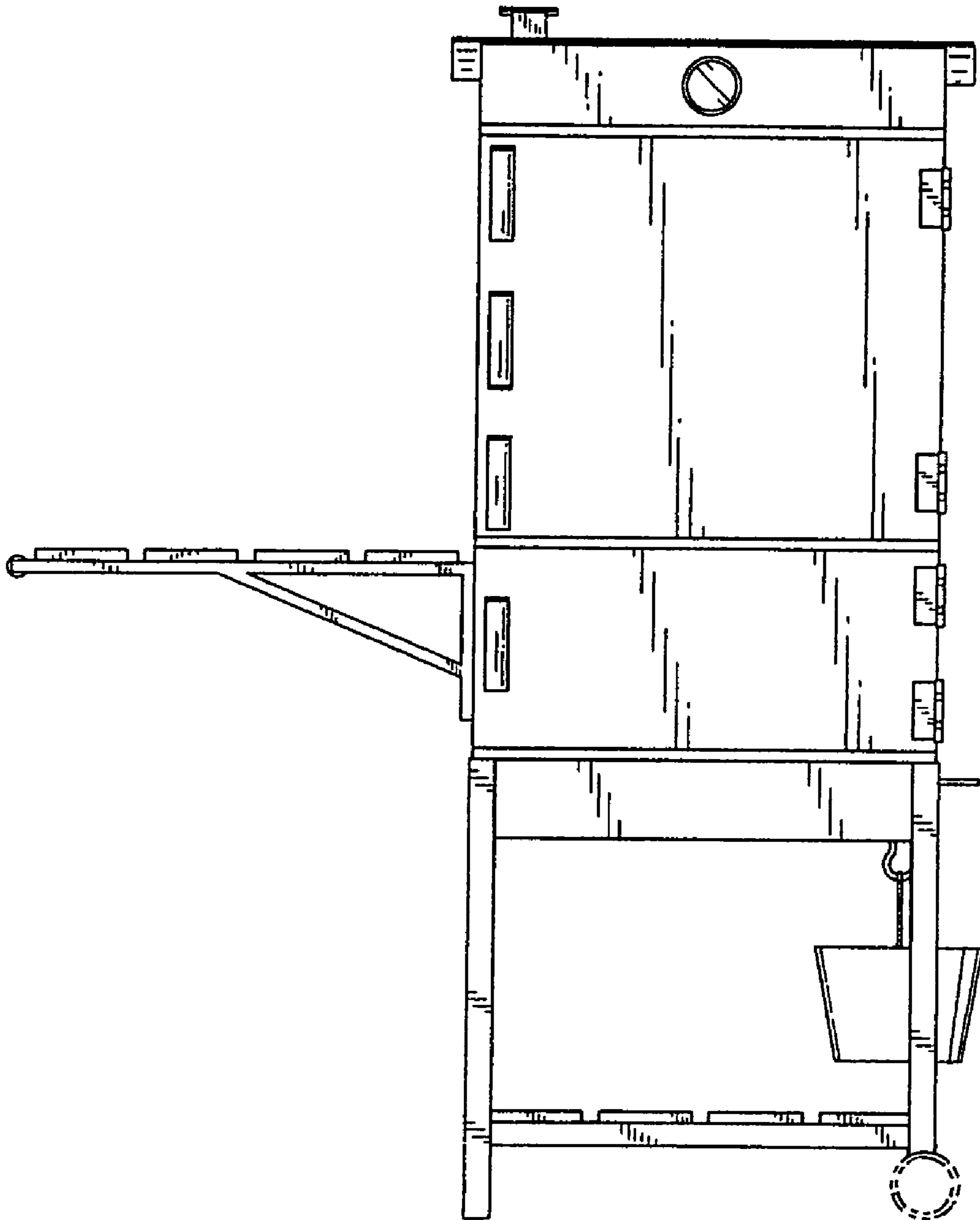


FIG.2

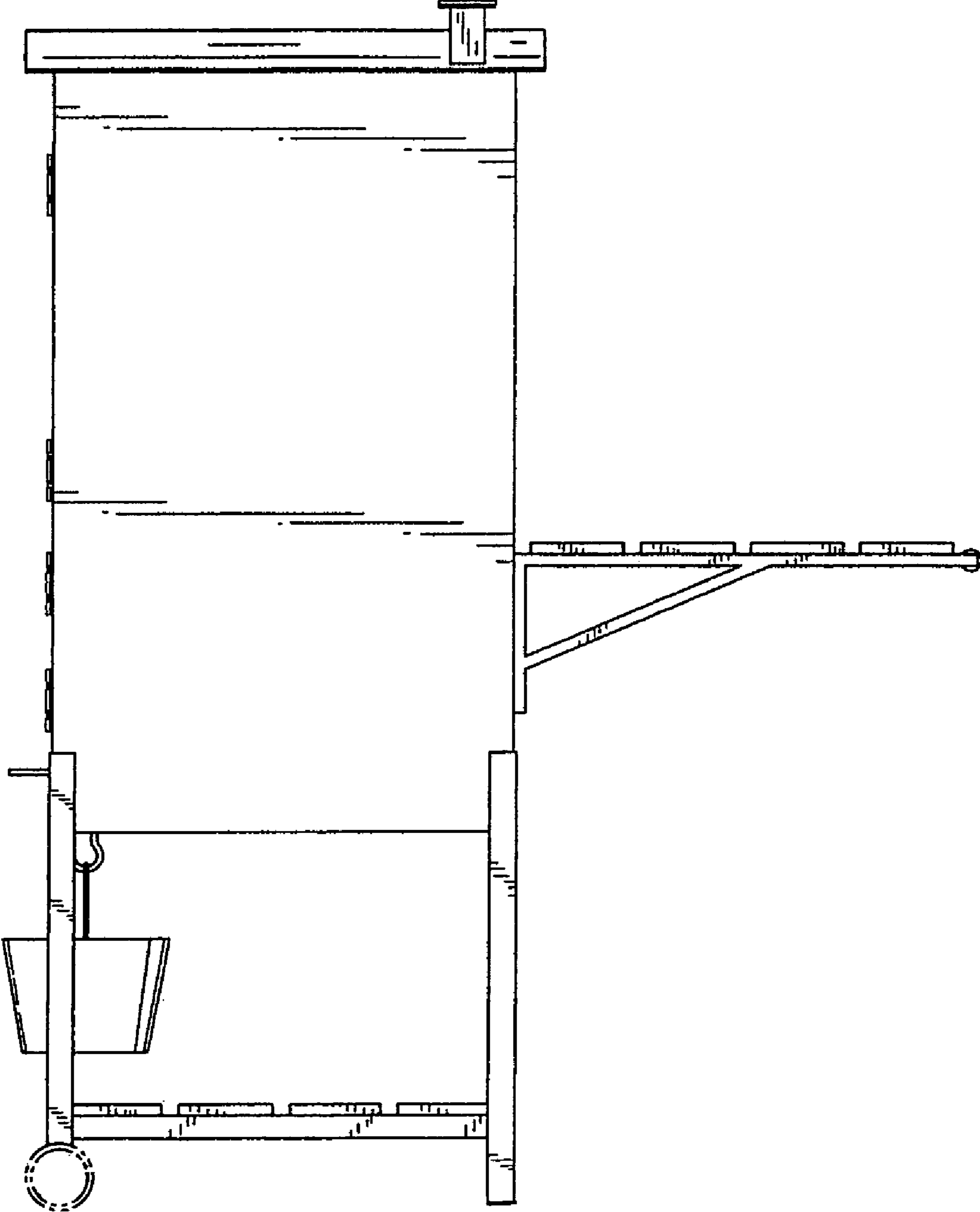


FIG.3

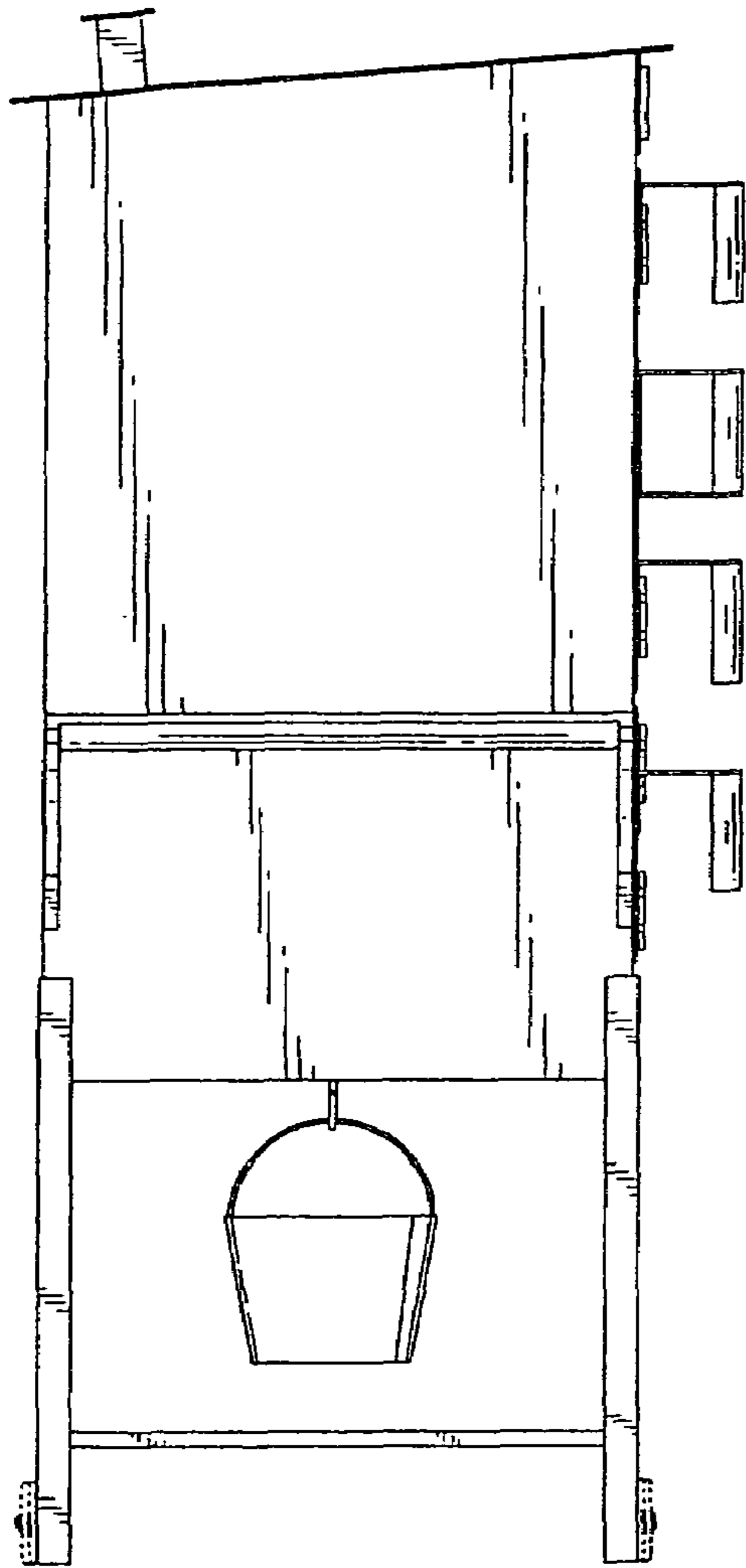


FIG. 4

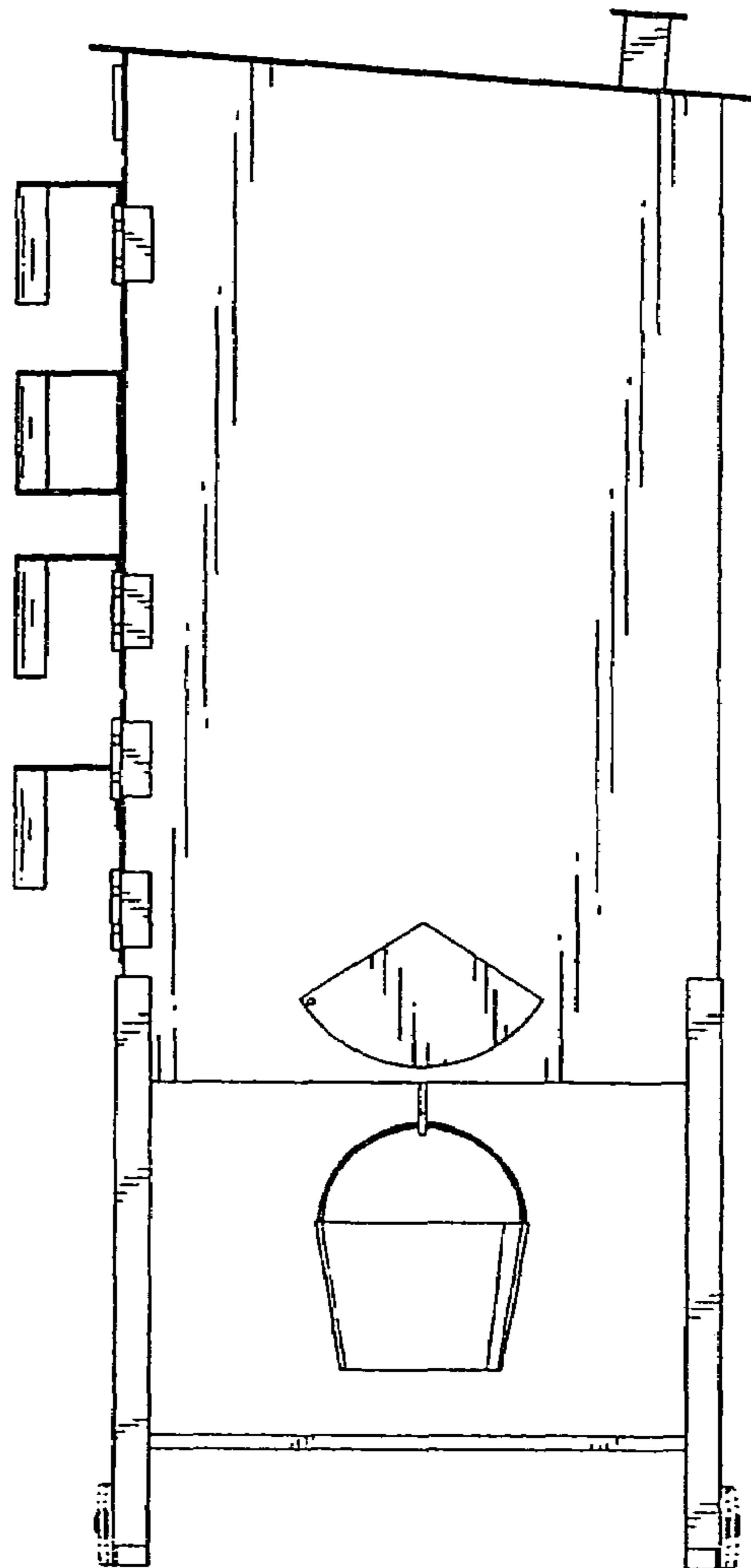


FIG. 5

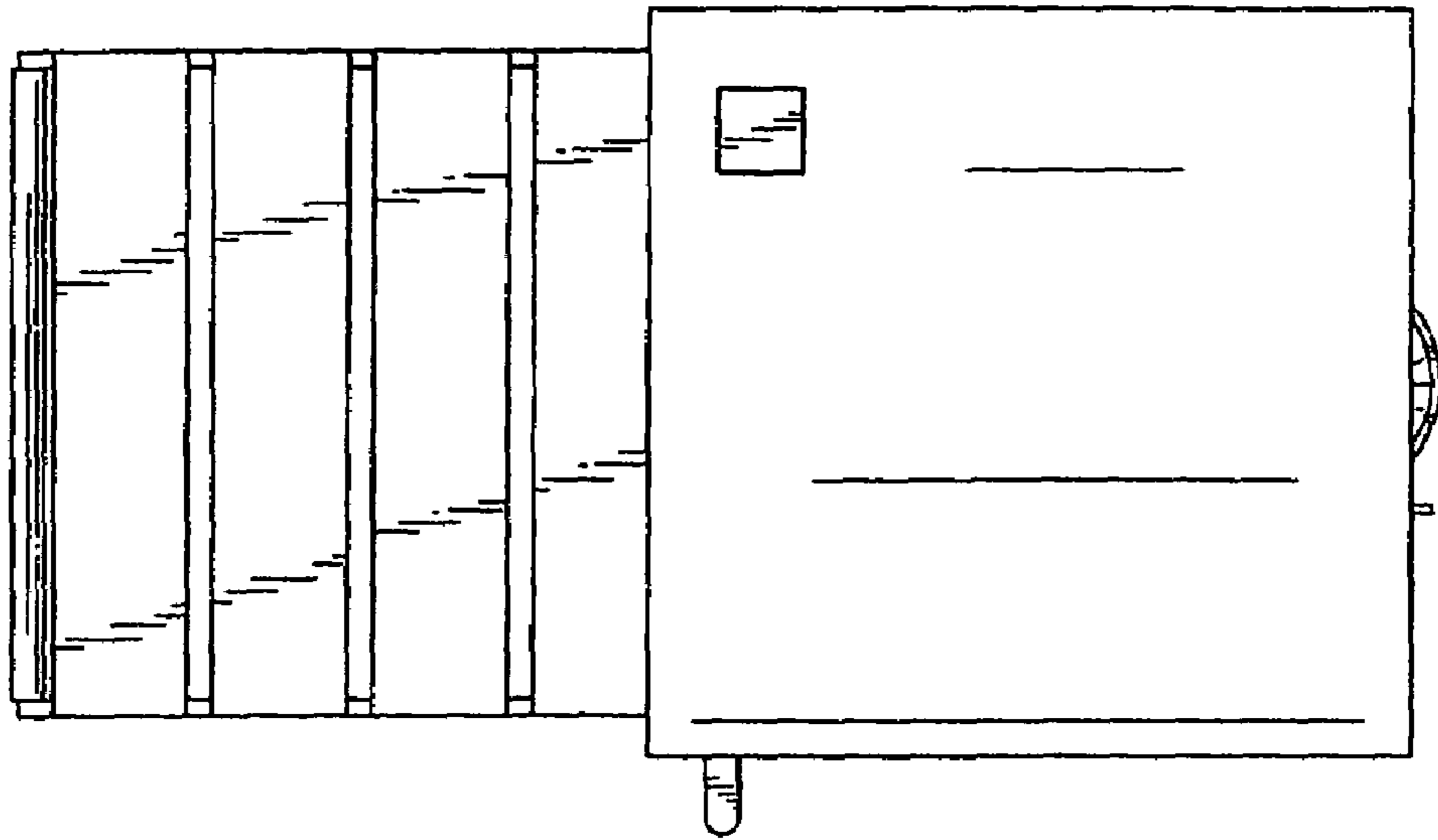


FIG. 6

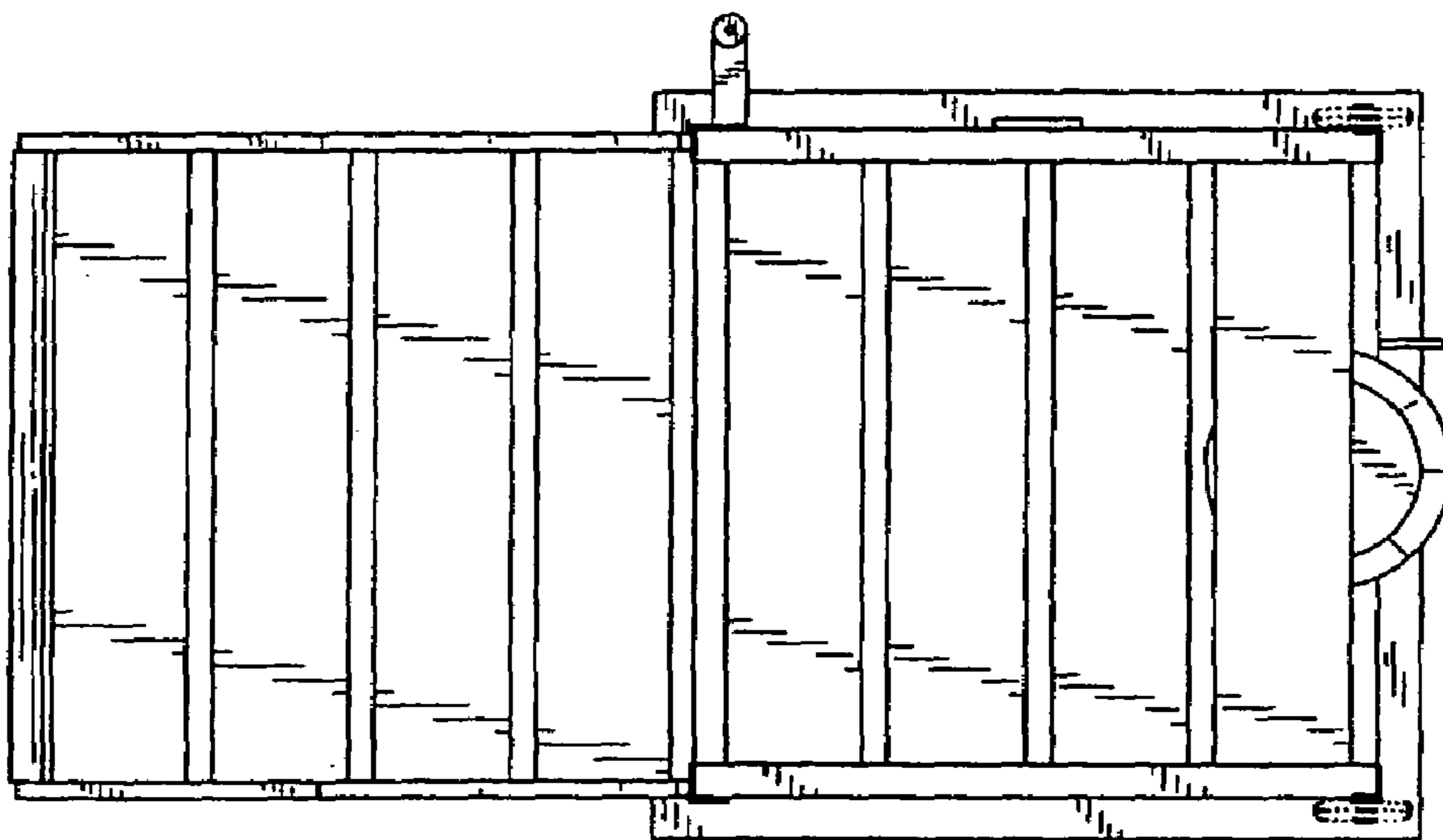


FIG. 7