



US00D578329S

(12) **United States Design Patent**
Wells et al.

(10) **Patent No.:** **US D578,329 S**
(45) **Date of Patent:** **** Oct. 14, 2008**

(54) **TOILET TISSUE CHEST**

(76) Inventors: **Linda Wells**, 7524 Southside Blvd., Apt. 1005, Jacksonville, FL (US) 32256;
Barbara Larosa, 8955 Rockpond Meadows Dr., Jacksonville, FL (US) 32221

(**) Term: **14 Years**

(21) Appl. No.: **29/318,278**

(22) Filed: **May 16, 2008**

Related U.S. Application Data

(63) Continuation-in-part of application No. 60/930,540, filed on May 17, 2007.

(51) **LOC (8) Cl.** **20-02**

(52) **U.S. Cl.** **D6/518**

(58) **Field of Classification Search** D6/518-523;
206/389, 390, 395; 221/282-283; 312/34.8;
242/570, 560, 590, 597.7, 598
See application file for complete search history.

(56) **References Cited**

U.S. PATENT DOCUMENTS

D387,590 S * 12/1997 Cameron et al. D6/523
D417,987 S * 12/1999 Velazquez D6/520
D421,690 S * 3/2000 Sutherland D6/520

D529,320 S * 10/2006 Corral D6/518
D559,597 S * 1/2008 Corral D6/518
D572,514 S * 7/2008 Bickler et al. D6/518

* cited by examiner

Primary Examiner—Brian N Vinson
(74) *Attorney, Agent, or Firm*—Lawrence J. Gibbey, Jr.

(57) **CLAIM**

The ornamental design for a toilet tissue chest, as shown and described.

DESCRIPTION

FIG. 1 is a front elevational view of a toilet tissue chest showing our new design depicting a dowel to stow two rolls of toilet paper and a hinge and overlap on the top surface which allows the device to be mounted to a wall or the side of a countertop with a lip and allow access to the storage compartment;

FIG. 2 is a rear elevational view thereof;

FIG. 3 is a front view thereof;

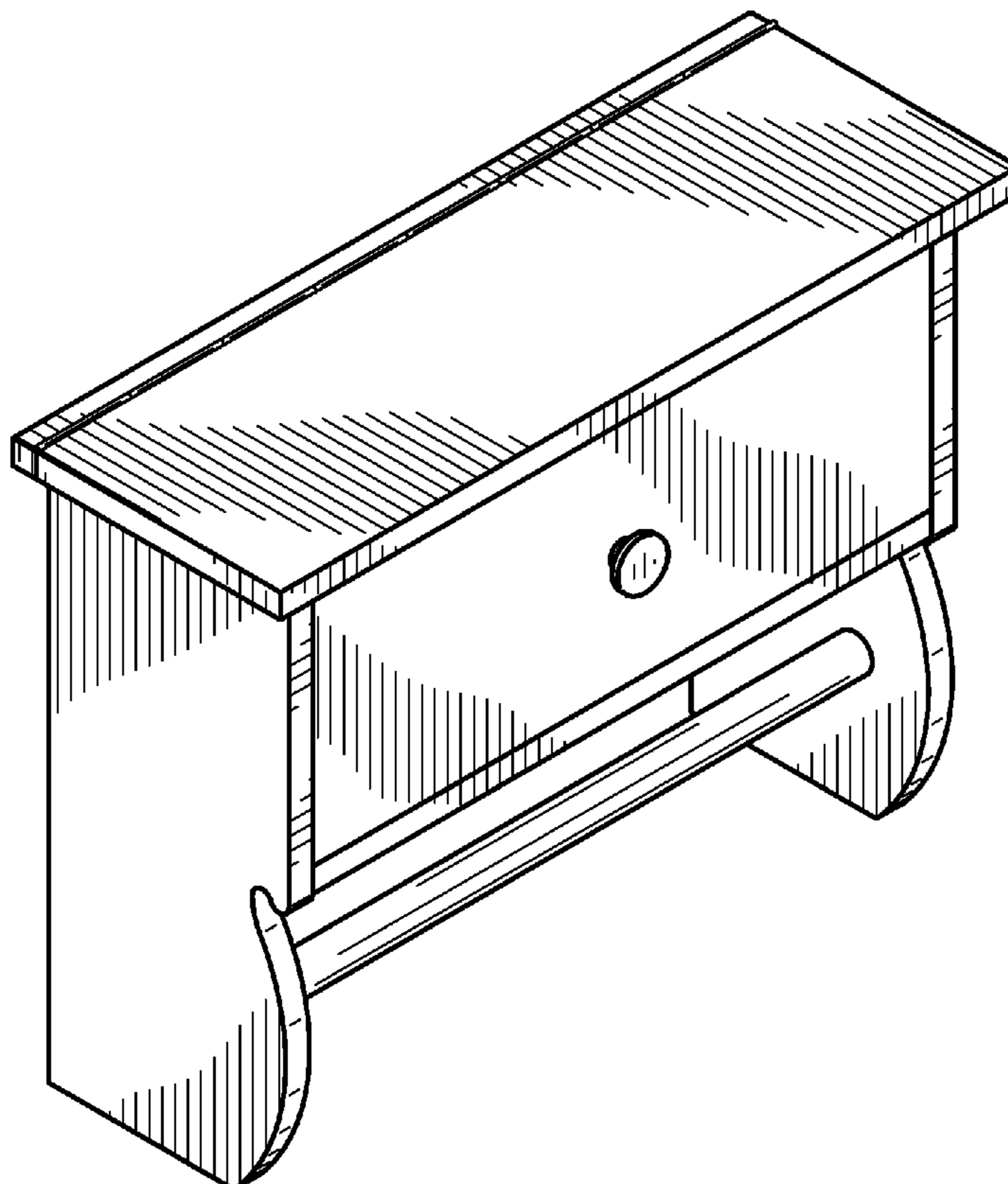
FIG. 4 is a rear view thereof;

FIG. 5 is a top view thereof;

FIG. 6 is a bottom view thereof; and,

FIG. 7 is a side view thereof.

1 Claim, 5 Drawing Sheets



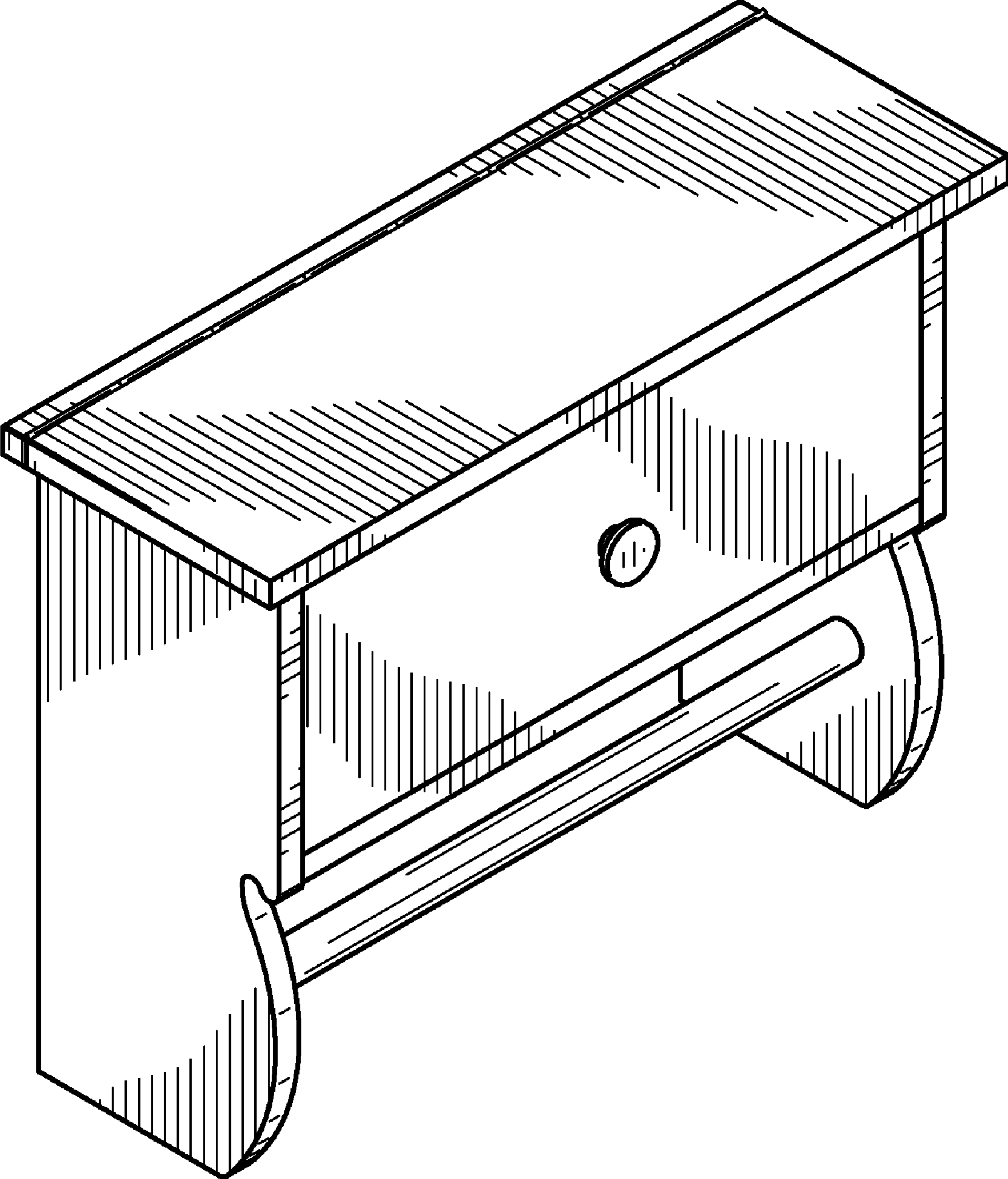


FIG. 1

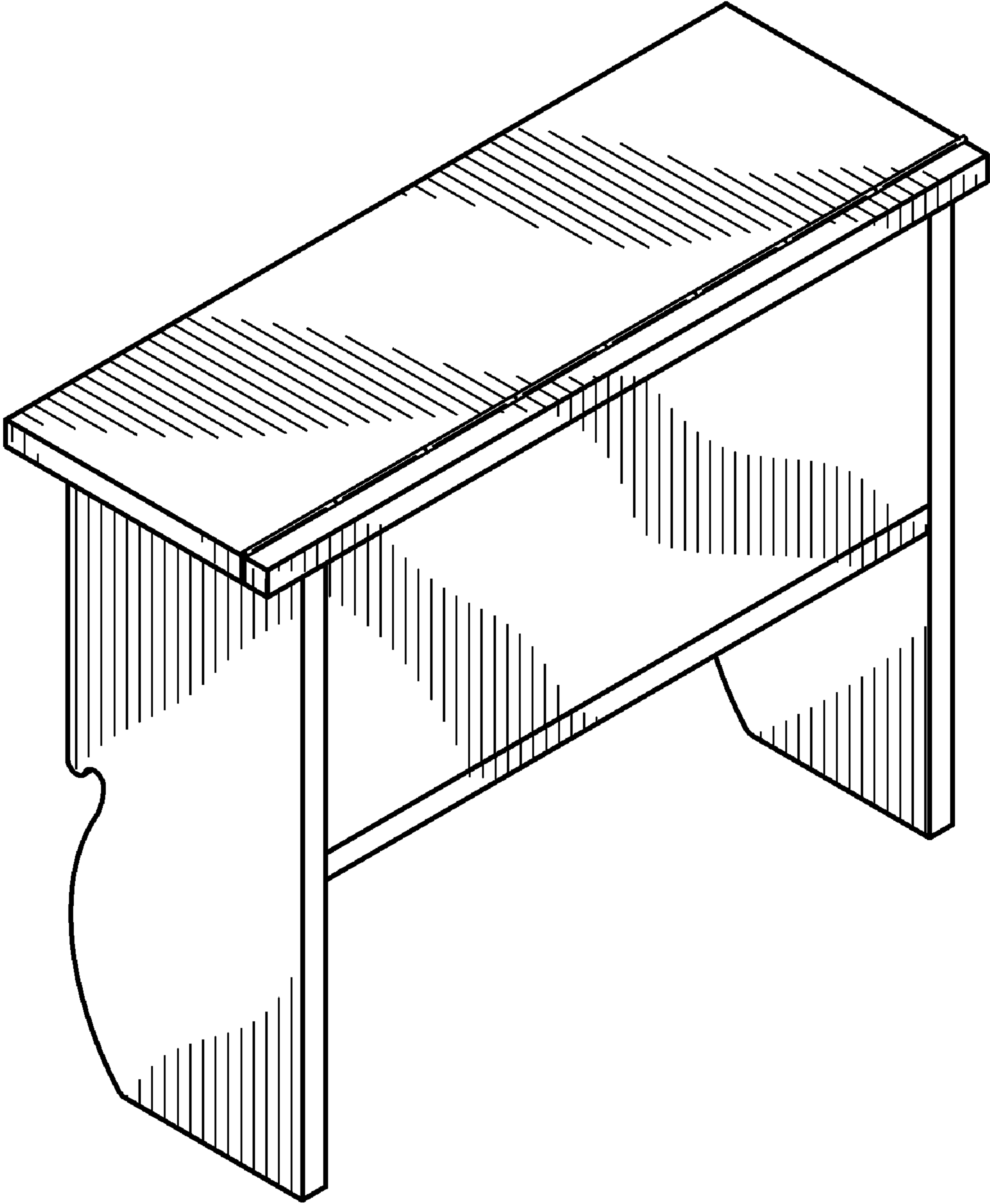
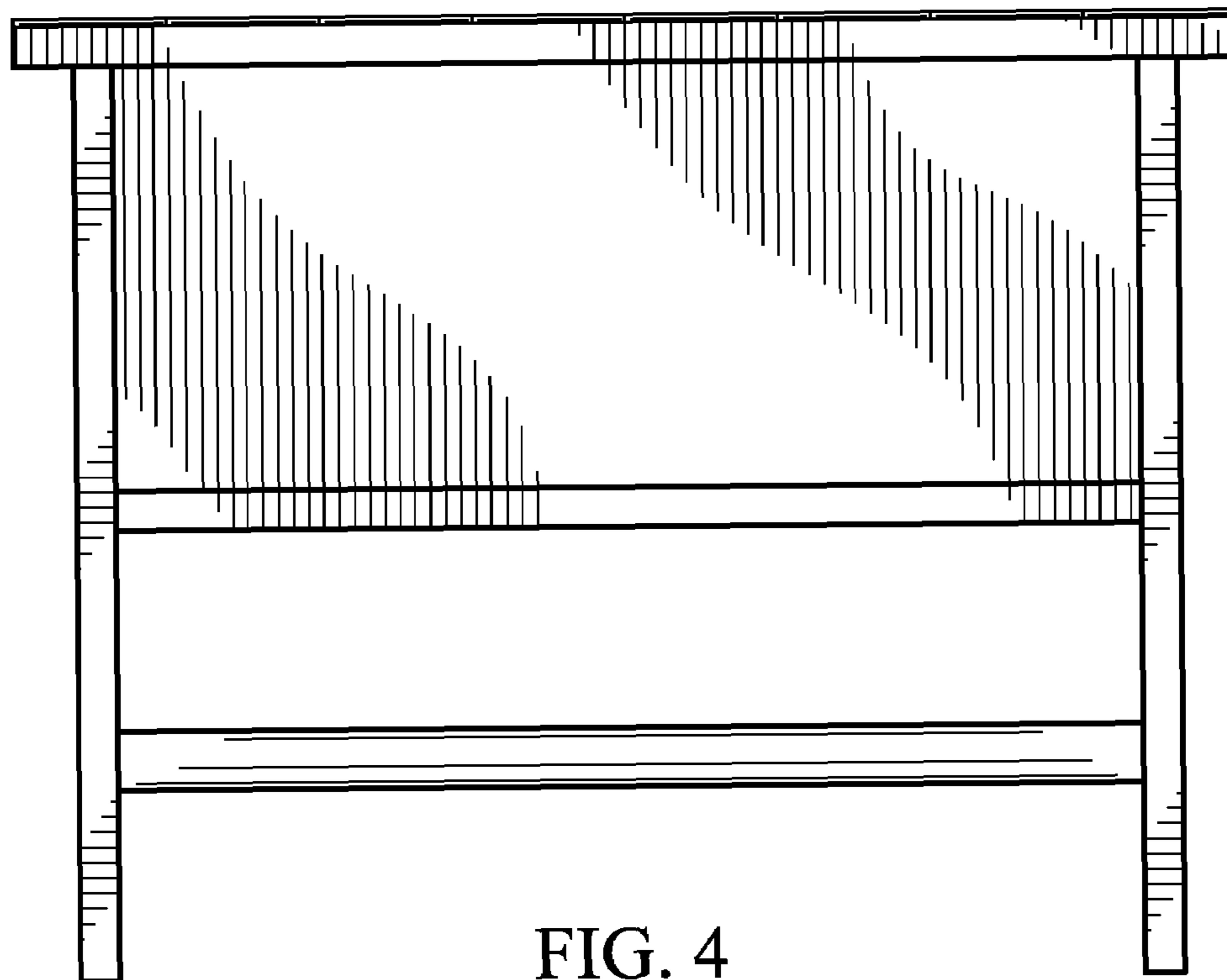
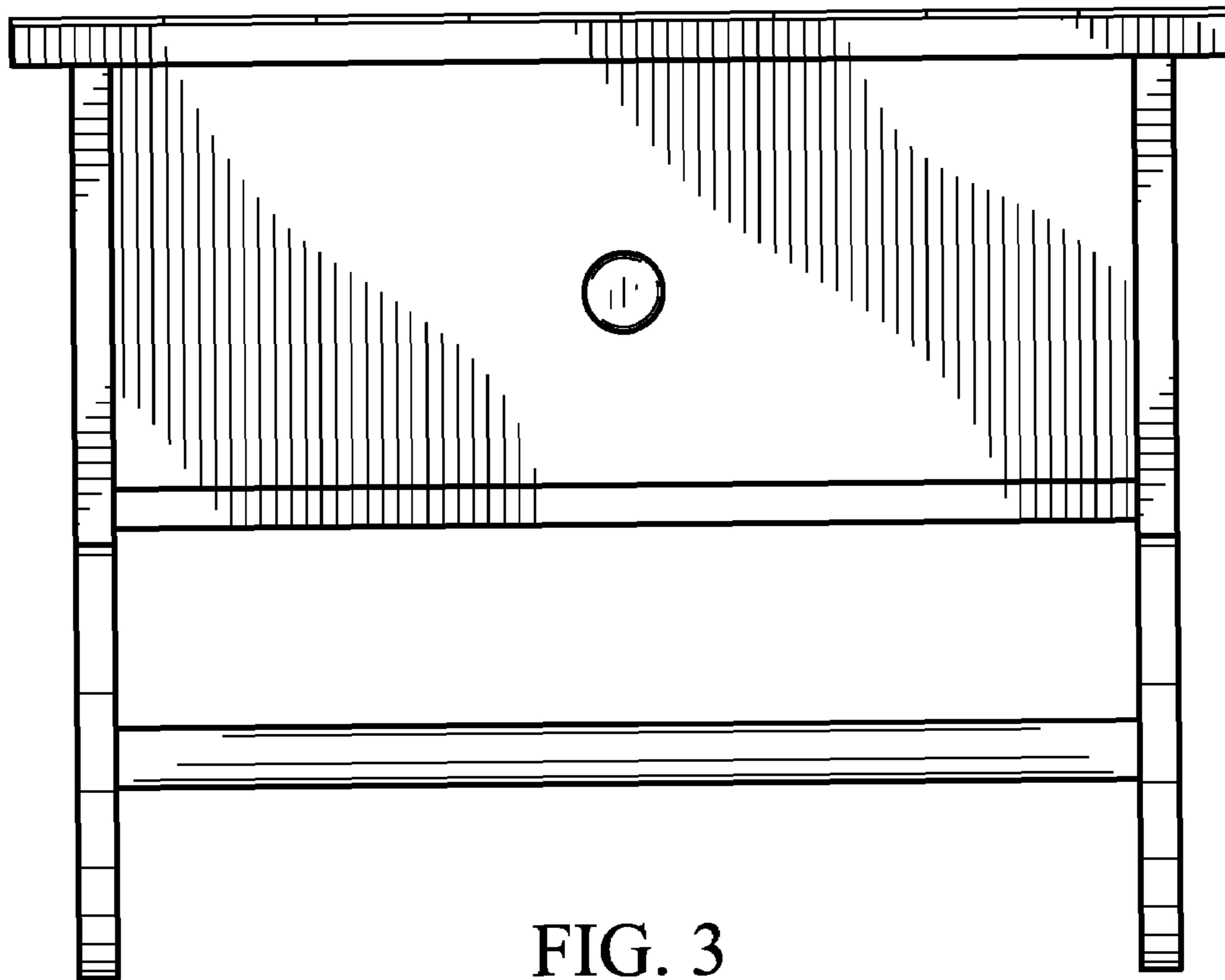


FIG. 2



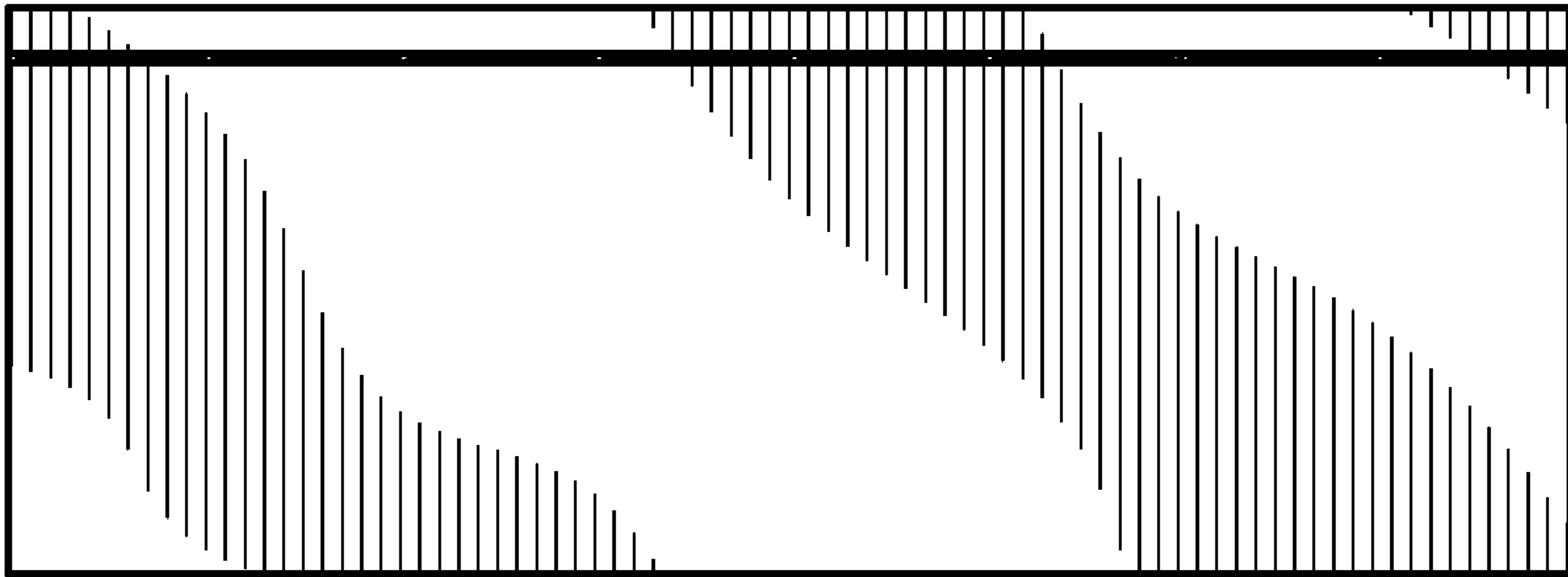


FIG. 5

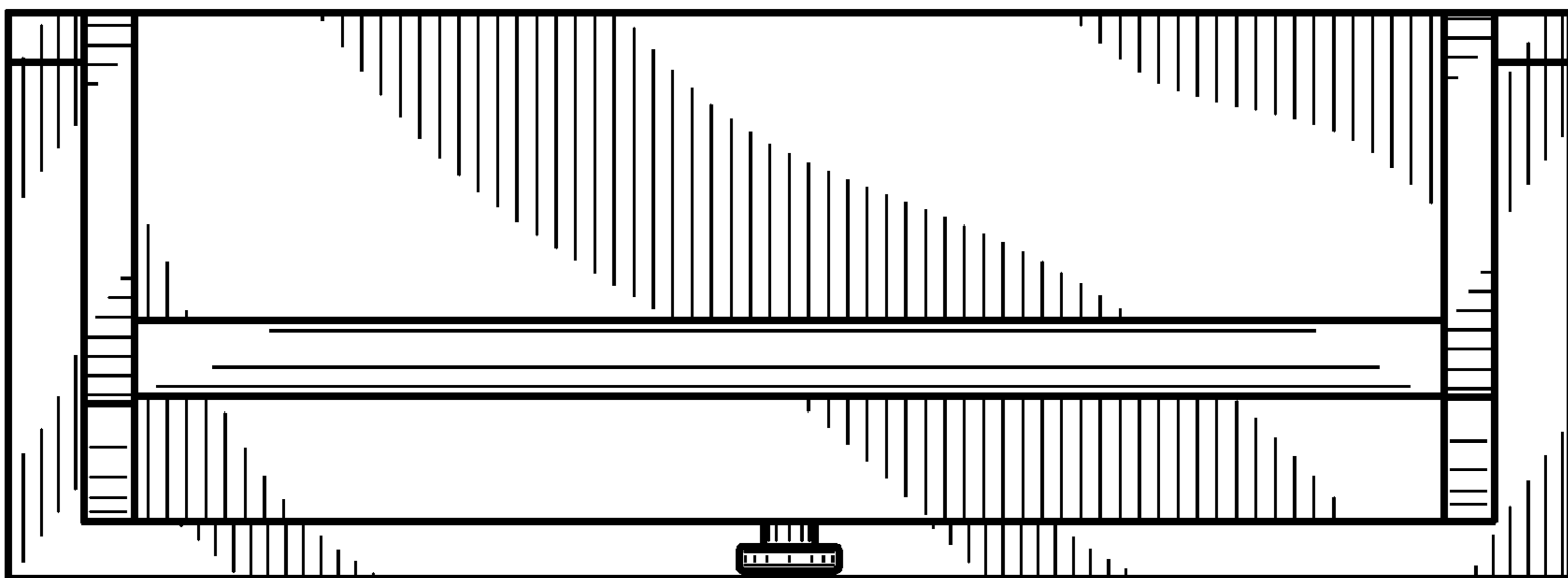


FIG. 6

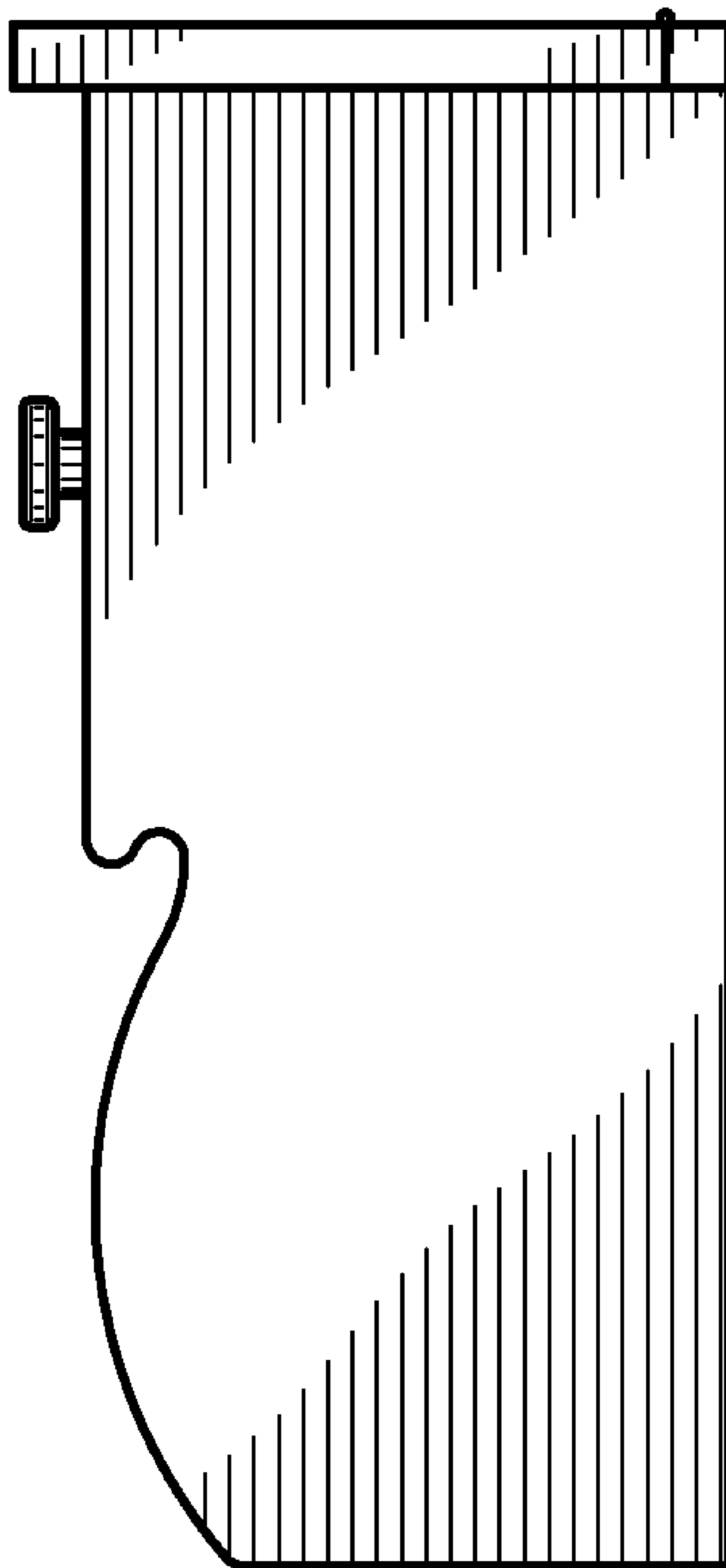


FIG. 7