



US00D578327S

(12) **United States Design Patent**
Birsel et al.

(10) **Patent No.:** **US D578,327 S**
(45) **Date of Patent:** **** Oct. 14, 2008**

- (54) **TABLE TOP**
- (75) Inventors: **Ayse Birsel**, New York, NY (US); **Bibi Seck**, New York, NY (US)
- (73) Assignee: **Herman Miller, Inc.**, Zeeland, MI (US)
- (**) Term: **14 Years**
- (21) Appl. No.: **29/288,024**
- (22) Filed: **May 25, 2007**
- (51) **LOC (8) Cl.** **06-06**
- (52) **U.S. Cl.** **D6/511**
- (58) **Field of Classification Search** D6/480-489, D6/495-499, 429-431, 511; 108/150, 153.1, 108/155, 156, 161; D7/554.3, 552.2, 354, D7/698; D25/43, 58, 138
See application file for complete search history.

(56) **References Cited**

U.S. PATENT DOCUMENTS

1,570,368	A *	1/1926	Zeh	428/78
D151,119	S *	9/1948	Earnes	D6/483
D161,752	S *	1/1951	Hart	D7/554.3
D173,120	S *	9/1954	Levenhagen	D7/554.3
D177,297	S *	3/1956	Wright	D6/428
D216,710	S *	3/1970	Lambert	D6/428
4,960,307	A	10/1990	Nelsen	312/194
5,715,760	A	2/1998	Frascaroli et al.	108/50
5,803,562	A	9/1998	Jacobs et al.	312/283
5,906,420	A	5/1999	Rozier, Jr. et al.	312/223.6
6,029,832	A	2/2000	Bastian	211/189
6,152,553	A	11/2000	Wunderlich	312/265.2
6,189,268	B1	2/2001	Carr et al.	52/36.1
6,220,186	B1	4/2001	Scharer et al.	108/153.1
6,272,795	B1	8/2001	Bräuning	52/36.1
6,378,255	B1	4/2002	Eich et al.	52/220.7
6,460,470	B1	10/2002	Scharer et al.	108/153.1
6,659,294	B1	12/2003	Simard	211/181.1
6,675,979	B2	1/2004	Taylor	211/186

6,684,583	B2	2/2004	Hodges et al.	52/220.7
6,735,908	B2	5/2004	Edwards	52/36.1
6,769,369	B1	8/2004	Brandenberg	108/158.12
6,807,776	B2	10/2004	Girdwood et al.	52/36.1
6,817,478	B2	11/2004	Venegas, Jr.	211/189
7,032,523	B2	4/2006	Forslund, III et al.	108/50.01
D535,506	S *	1/2007	Wilson	D6/503
D560,084	S *	1/2008	Glass et al.	D6/499
2003/0182885	A1	10/2003	Gresham et al.	52/242
2003/0196388	A1	10/2003	Edwards	52/36.1
2004/0020137	A1	2/2004	Batthey et al.	52/36.1
2004/0244307	A1	12/2004	Branc et al.	52/36.1
2005/0016080	A1	1/2005	Williams et al.	52/36.1
2005/0055888	A1	3/2005	Gresham et al.	52/36.1
2005/0253489	A1	11/2005	Heyer	312/245
2006/0071533	A1	4/2006	Nagar	297/440.14

* cited by examiner

Primary Examiner—Janice E Seeger

(74) *Attorney, Agent, or Firm*—Brinks Hofer Gilson & Lione

(57) **CLAIM**

The ornamental design for a table top, as shown and described.

DESCRIPTION

FIG. 1 is a top perspective view of a table top of the present invention;

FIG. 2 is a top plan view thereof;

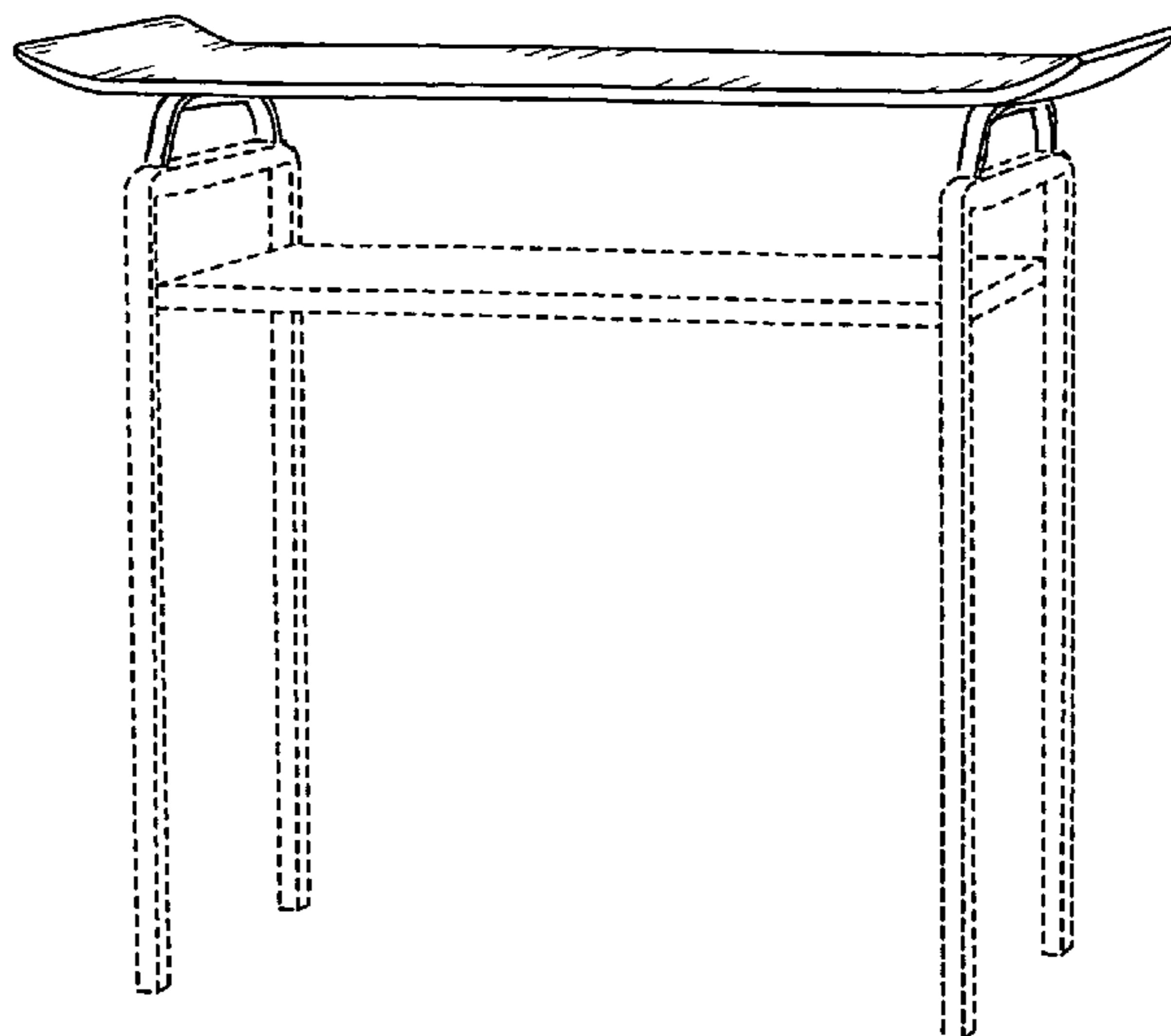
FIG. 3 is a bottom plan view thereof;

FIG. 4 is a left side elevation view thereof, a right side elevation view thereof being a mirror image of the left side elevation view; and,

FIG. 5 is a front elevation view thereof, a rear elevation view thereof being a mirror image of the front elevation view.

The broken lines are for environmental purposes only and form no part of the claimed design.

1 Claim, 3 Drawing Sheets



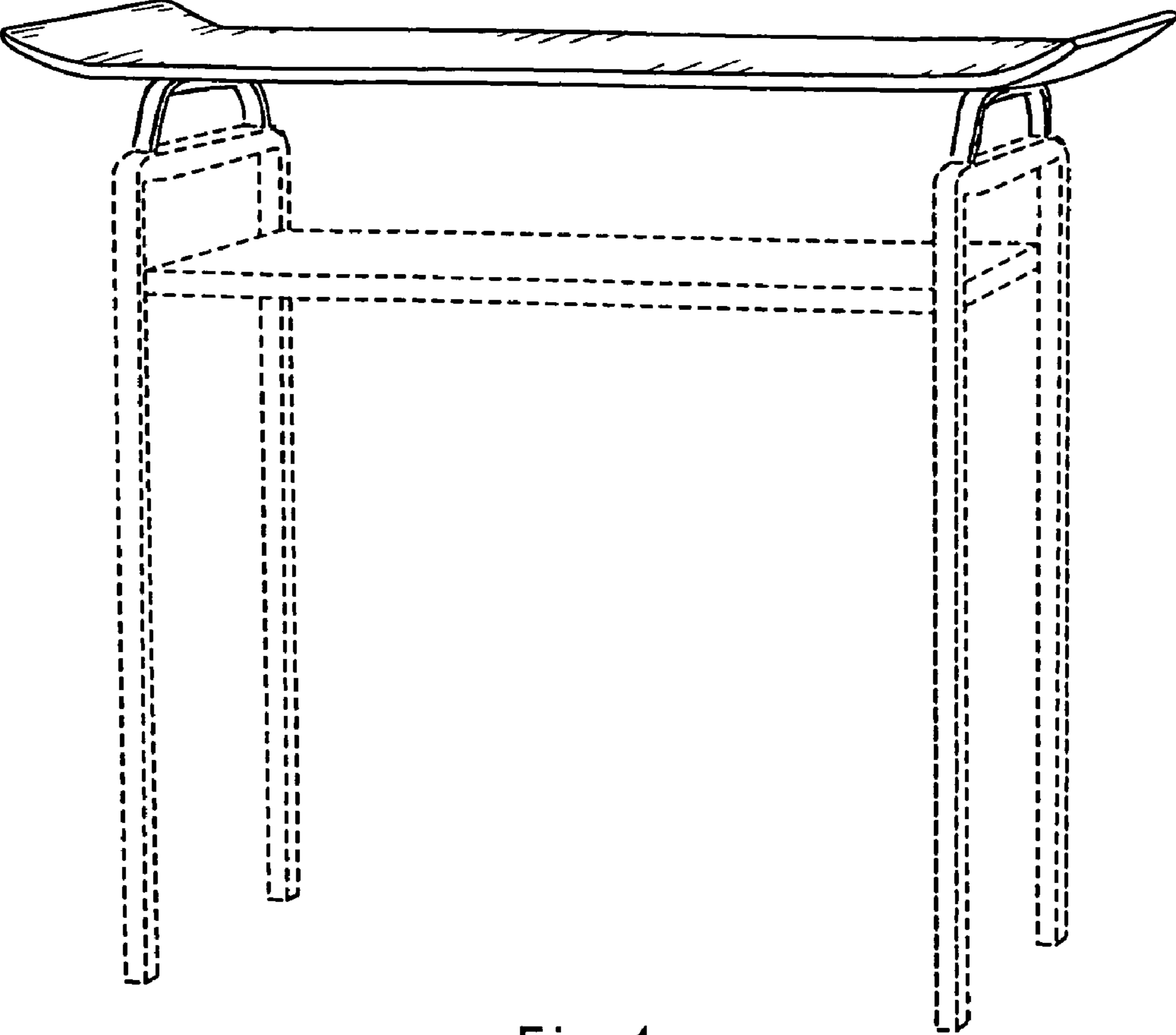


Fig. 1

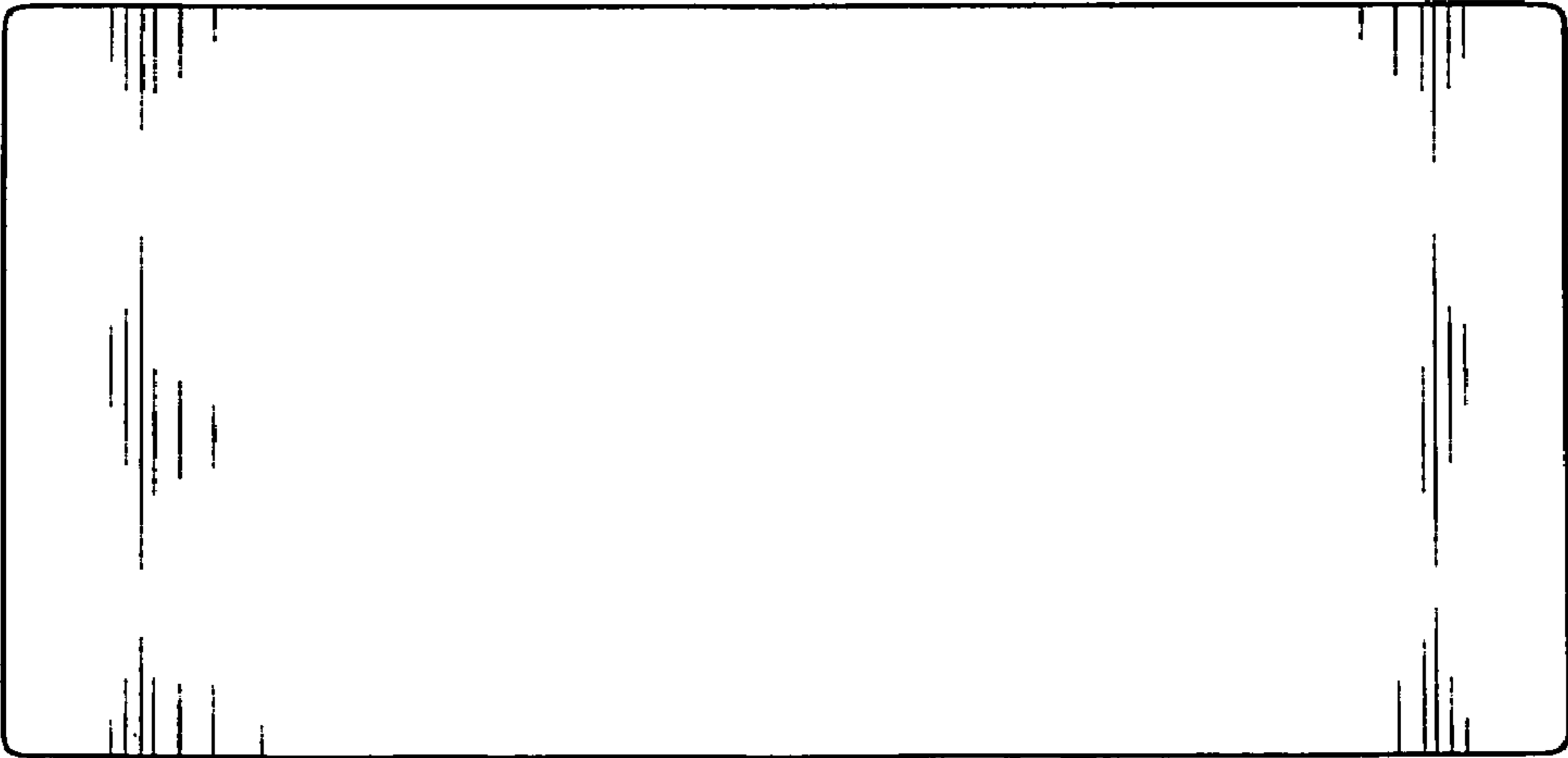


Fig. 2

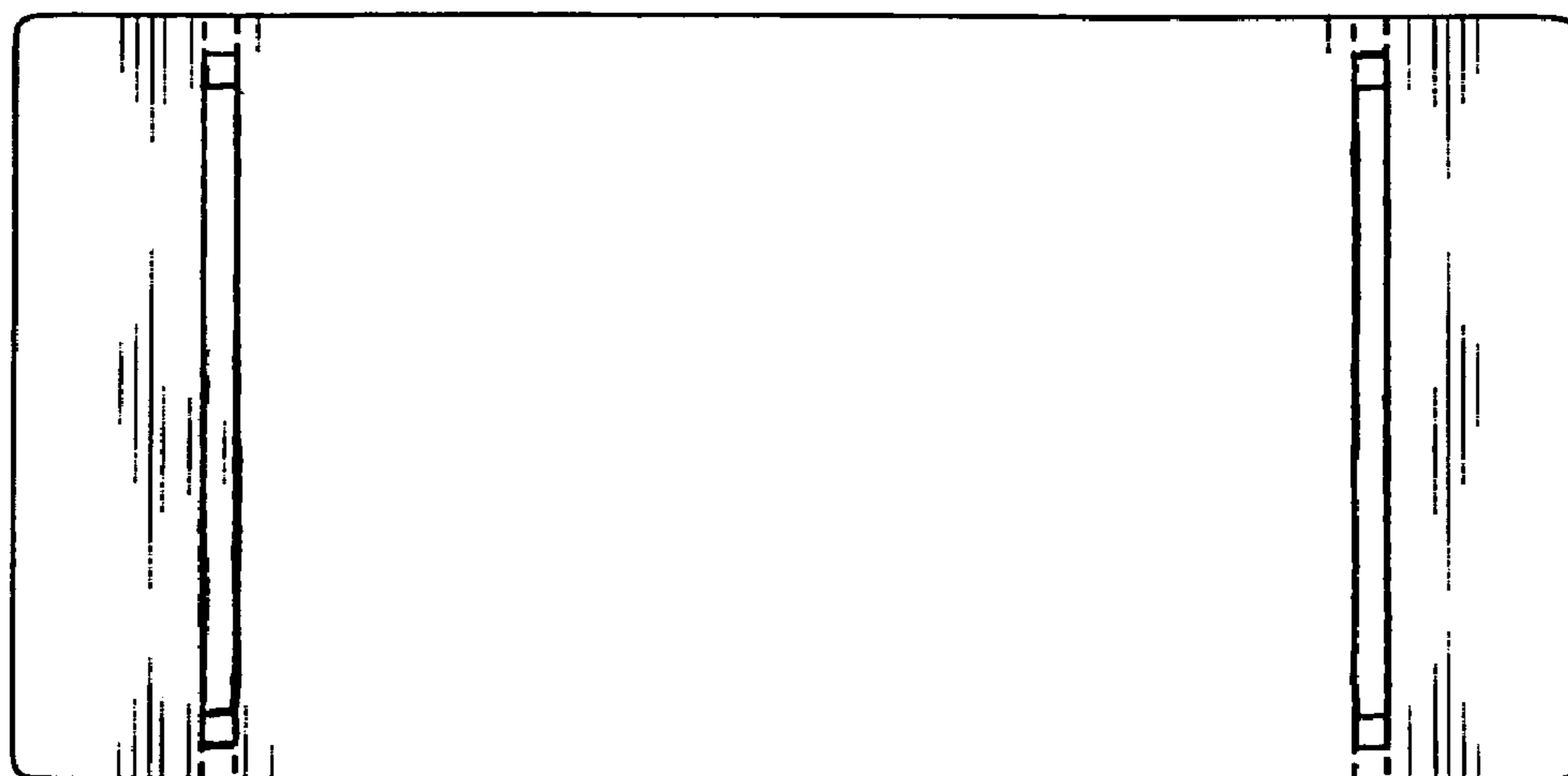


Fig. 3

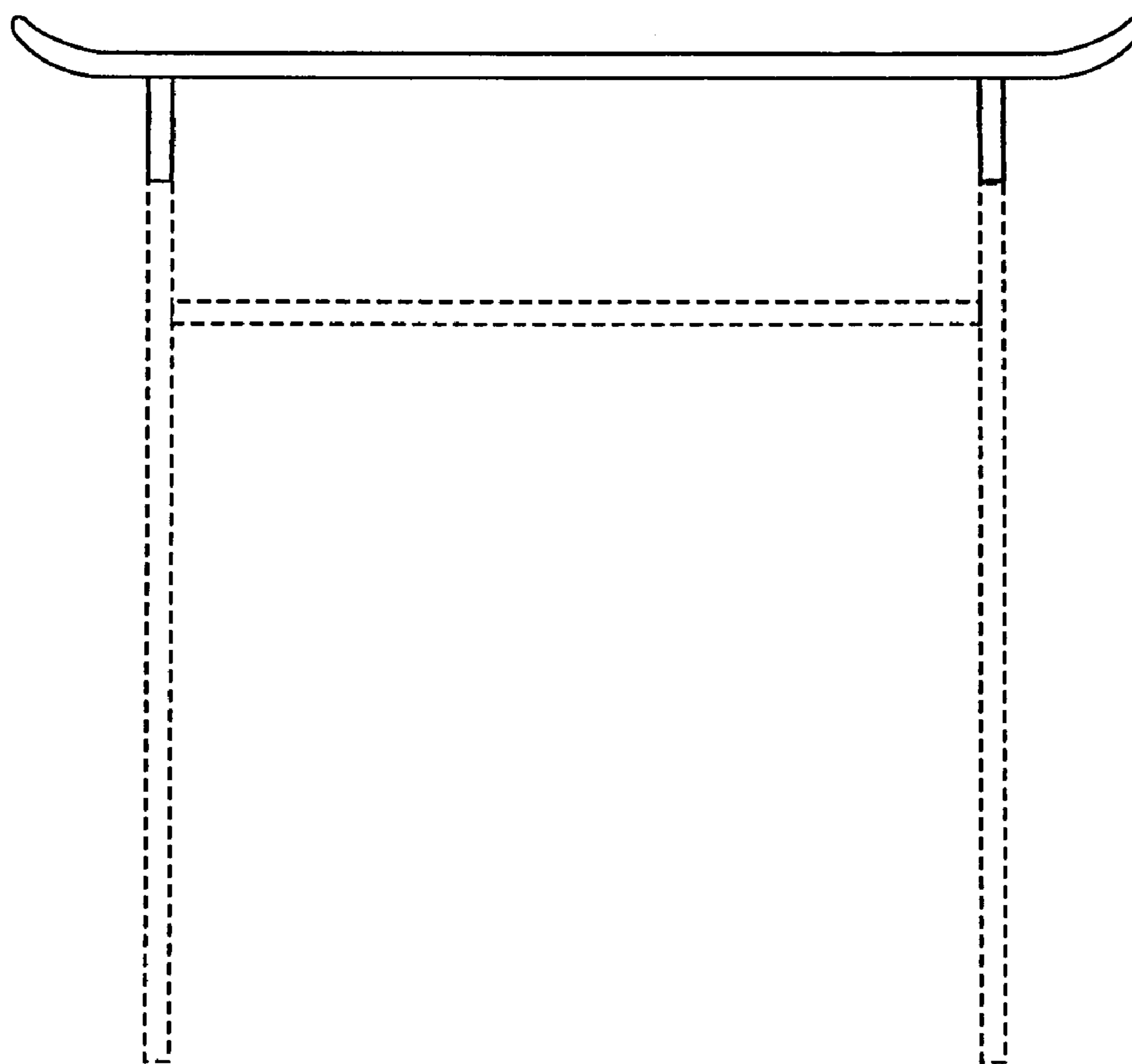


Fig. 4

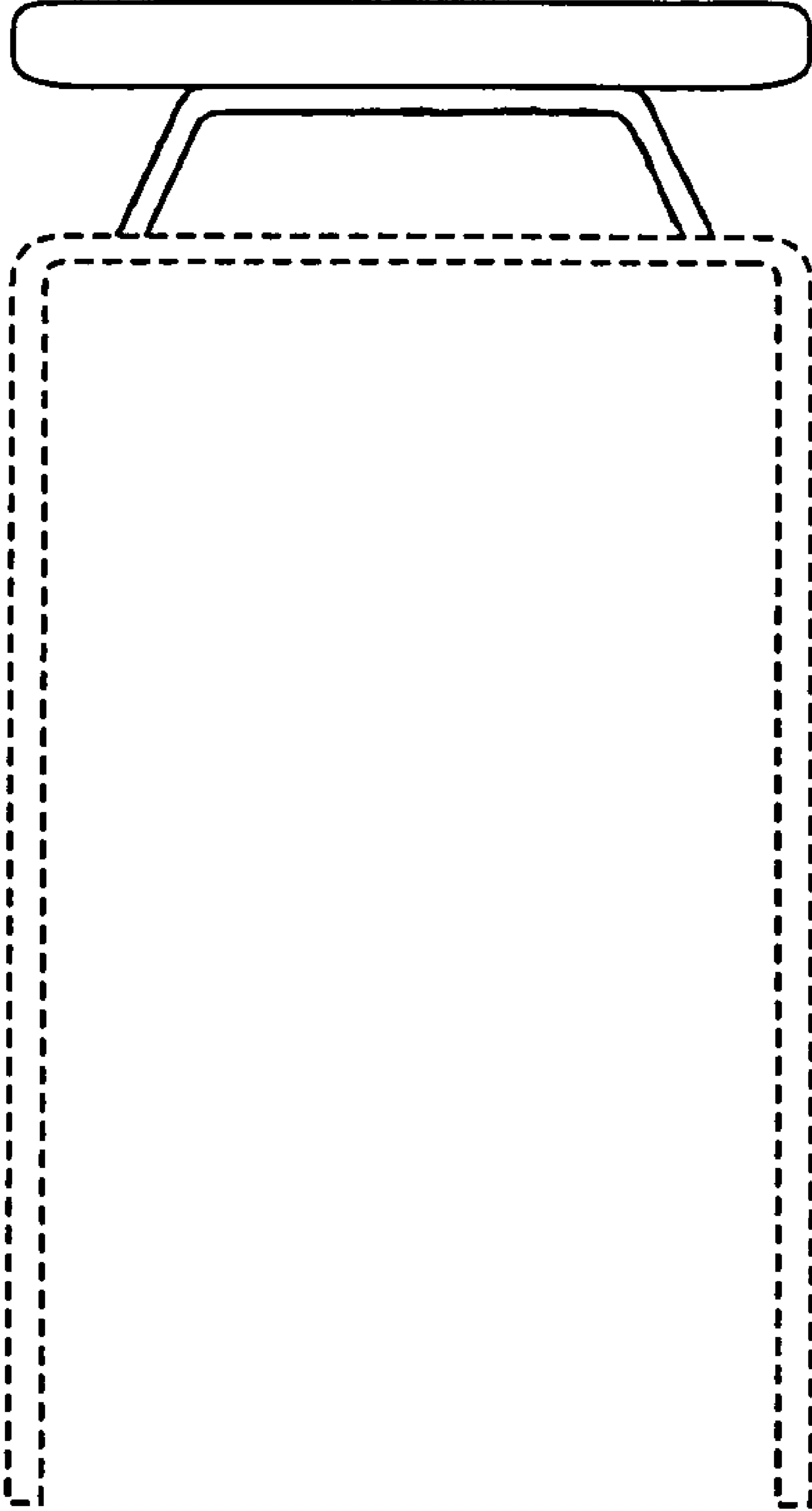


Fig. 5