



US00D578326S

(12) **United States Design Patent**
Donati

(10) **Patent No.:** **US D578,326 S**
(45) **Date of Patent:** **** Oct. 14, 2008**

(54) **SEAT MECHANISM**

(75) Inventor: **Armando Donati**, Lumezzane (IT)

(73) Assignee: **Donati S.p.A.**, Rodengo Saiano
(Brescia) (IT)

(**) Term: **14 Years**

(21) Appl. No.: **29/290,757**

(22) Filed: **Jan. 10, 2008**

(30) **Foreign Application Priority Data**

Oct. 24, 2007 (EM) 000814363-0001

(51) **LOC (8) Cl.** **06-01**

(52) **U.S. Cl.** **D6/500**

(58) **Field of Classification Search** D6/334-336,
D6/364, 365, 366, 367, 491, 495, 500-502;
248/161, 578; 297/300.1, 300.2, 300.5, 300.8,
297/301.1, 301.2, 301.3, 301.4, 301.7, 303.3,
297/303.4, 303.5, 344.18, 344.21, 344.22,
297/463.1

See application file for complete search history.

(56) **References Cited**

U.S. PATENT DOCUMENTS

D246,217 S * 11/1977 Doerner D6/500
D289,591 S * 5/1987 Groseth D6/500
D290,073 S * 6/1987 Doerner D6/500
D292,459 S * 10/1987 Doerner D6/500
D416,406 S 11/1999 Donati
D417,349 S 12/1999 Donati
6,213,552 B1 * 4/2001 Miotto 297/300.5
6,276,755 B1 * 8/2001 Su 297/285
D447,652 S * 9/2001 Beggs D6/500
D473,737 S * 4/2003 Klaesener et al. D6/500
6,916,067 B2 * 7/2005 Liu 297/300.8
7,017,992 B2 * 3/2006 Stumpf 297/301.7

D544,258 S * 6/2007 Chen D6/500
D549,014 S 8/2007 Donati
D549,016 S 8/2007 Donati
D550,989 S 9/2007 Donati
D550,990 S 9/2007 Donati
D550,991 S 9/2007 Donati
7,266,819 B2 9/2007 Helgesen et al.
D553,885 S * 10/2007 Matem D6/500
D557,946 S * 12/2007 Matern et al. D6/500
7,364,233 B2 4/2008 Donati

OTHER PUBLICATIONS

Donati, U.S. Appl. No. 29/240,691, filed Oct. 18, 2005.

Donati, U.S. Appl. No. 29/240,687, filed Oct. 18, 2005.

Donati, U.S. Appl. No. 11/371,228, filed Mar. 9, 2006.

* cited by examiner

Primary Examiner—Mimosa De

(74) *Attorney, Agent, or Firm*—Nixon & Vanderhye P.C.

(57) **CLAIM**

The ornamental design for a seat mechanism, as shown and described.

DESCRIPTION

FIG. 1 is a front perspective view of a seat mechanism according to my design;

FIG. 2 is a top view thereof;

FIG. 3 is a front view thereof;

FIG. 4 is a right side view thereof;

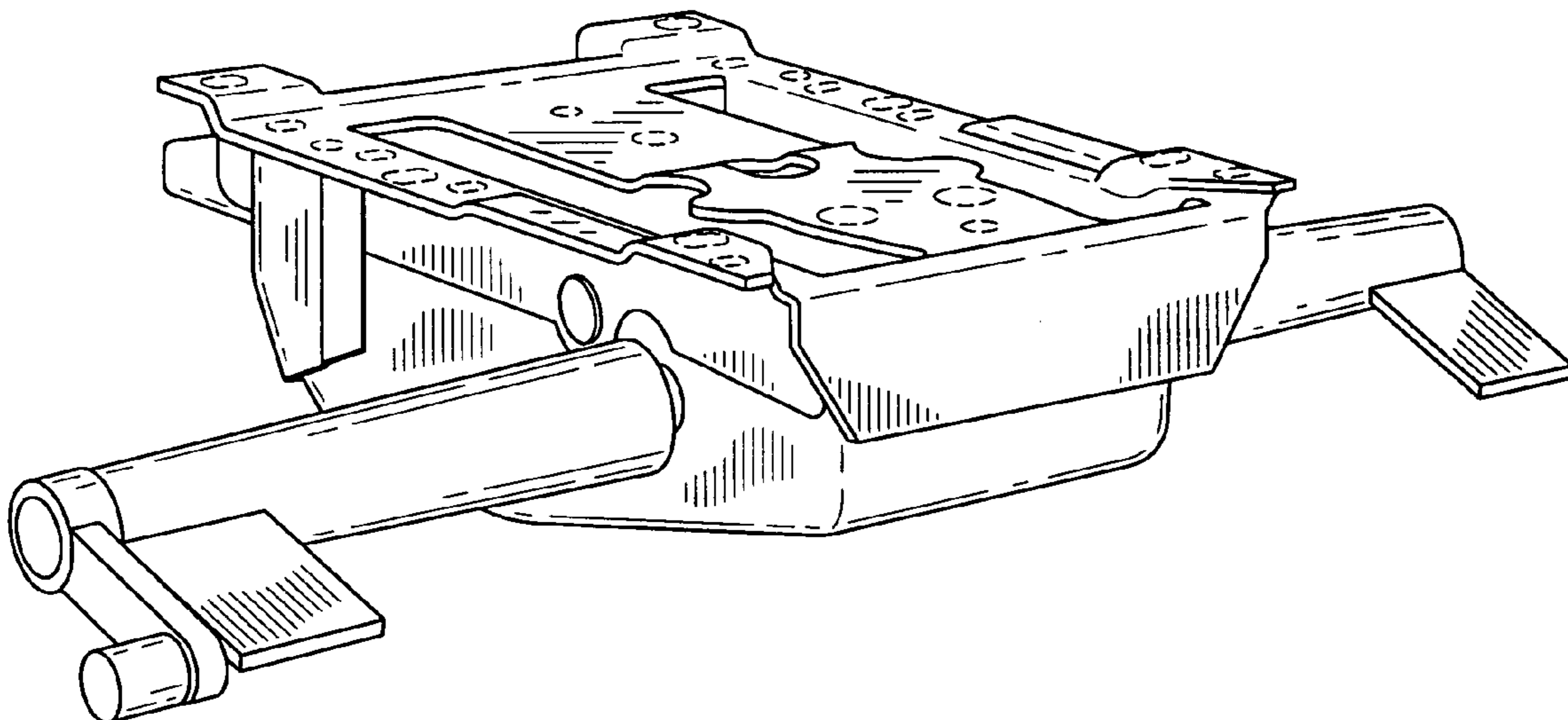
FIG. 5 is a rear view thereof;

FIG. 6 is a left side view thereof; and,

FIG. 7 is a bottom view thereof.

Where included, broken lines showing environment or structure are for illustrative purposes and form no part of the claimed design.

1 Claim, 3 Drawing Sheets



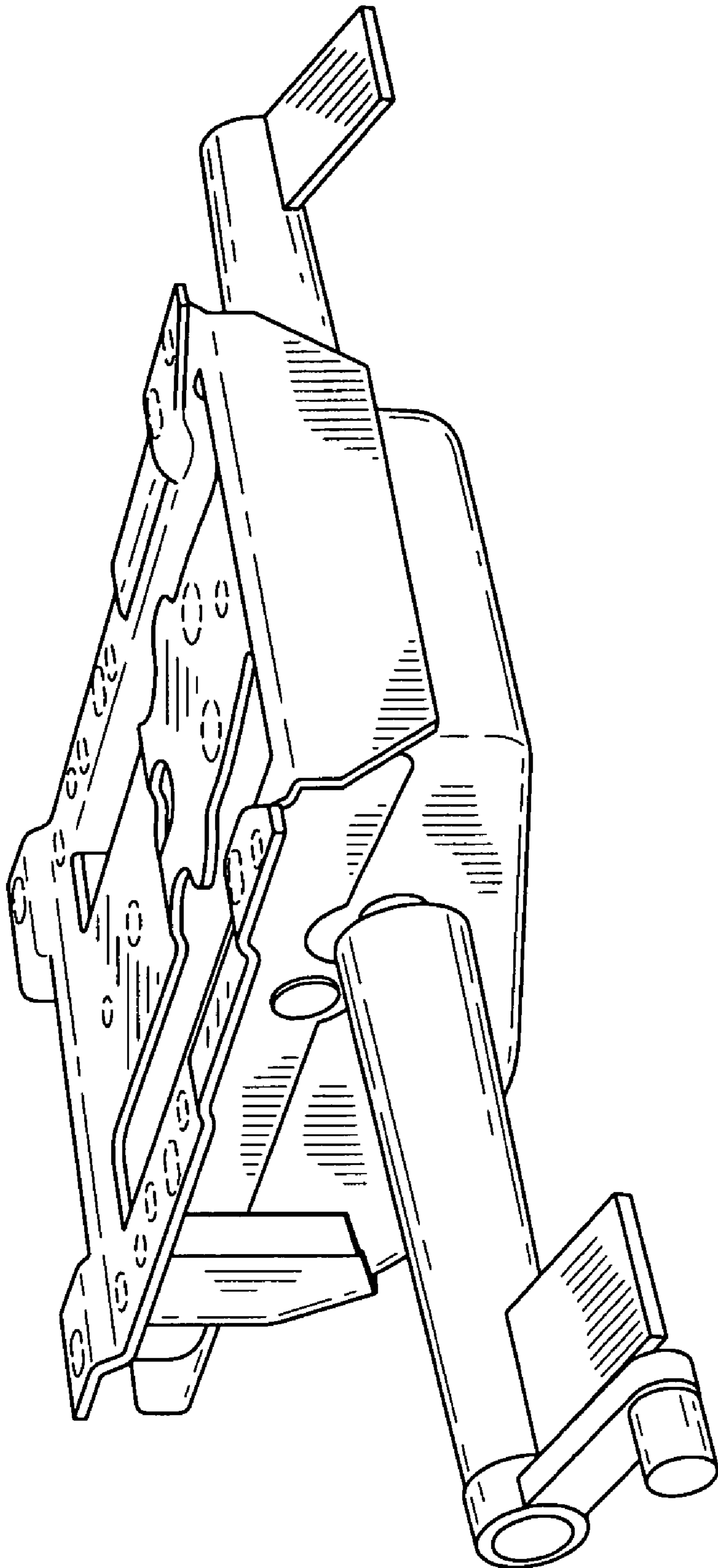


FIG-1

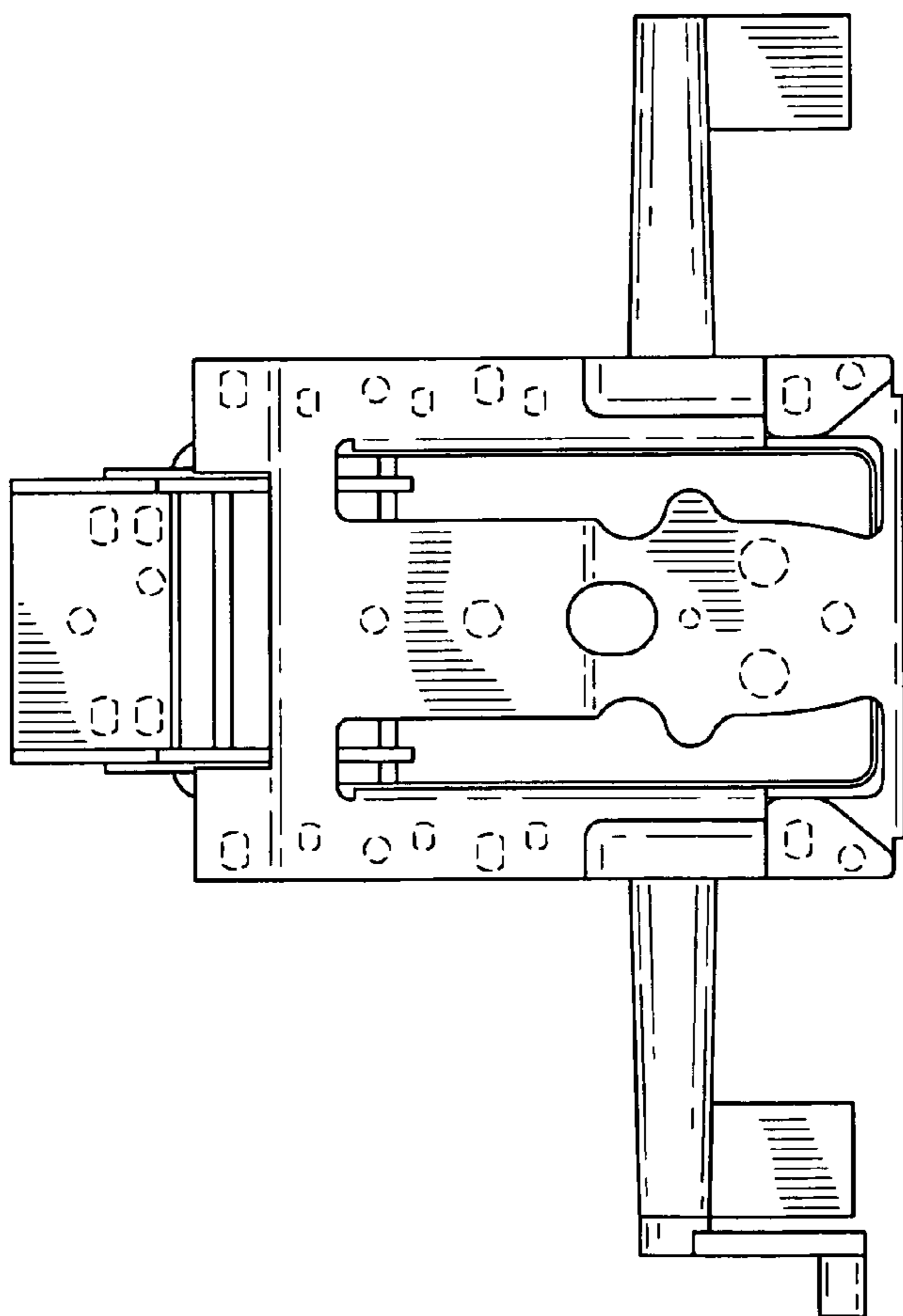


FIG-2

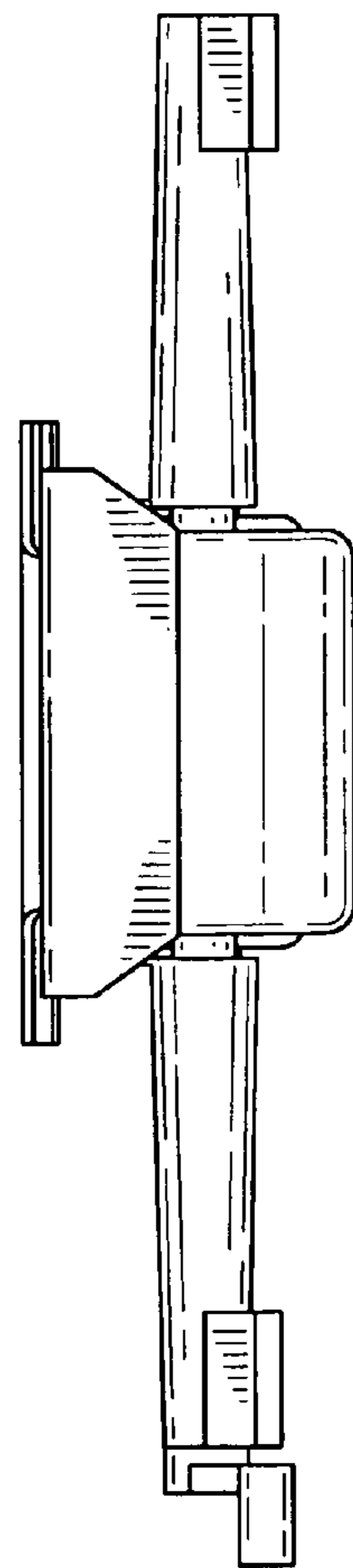


FIG-3

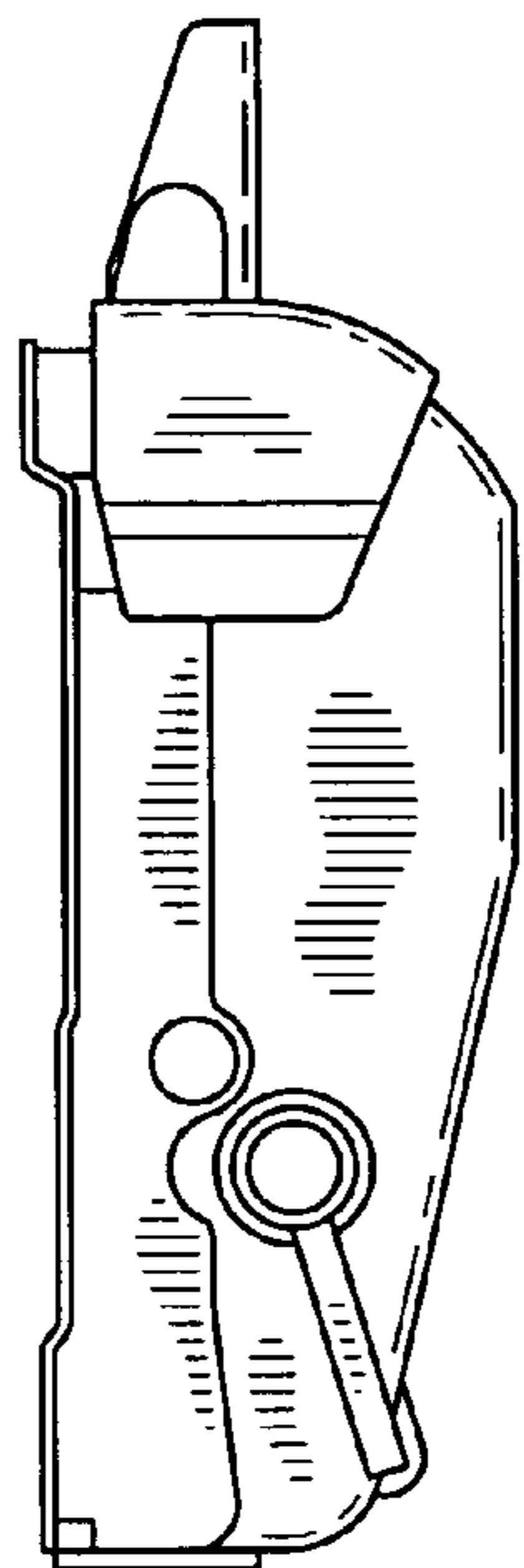


FIG-4

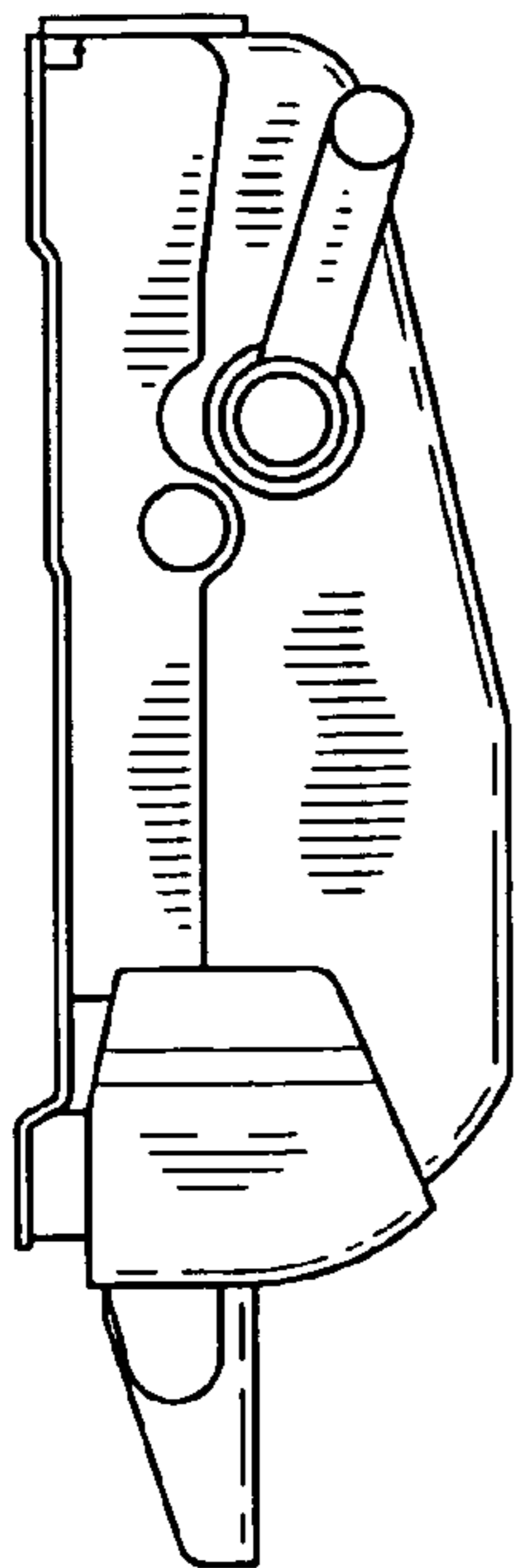


FIG-6

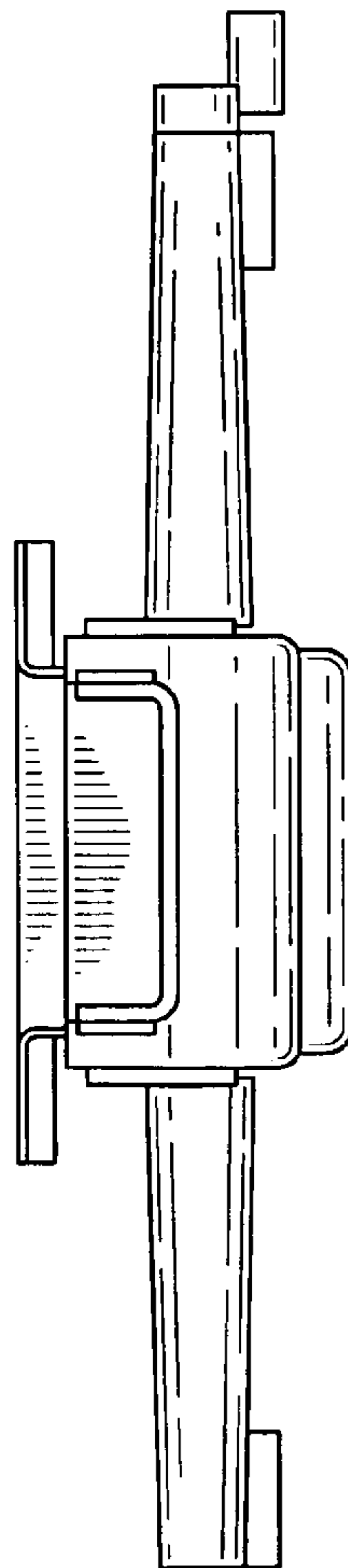


FIG-5

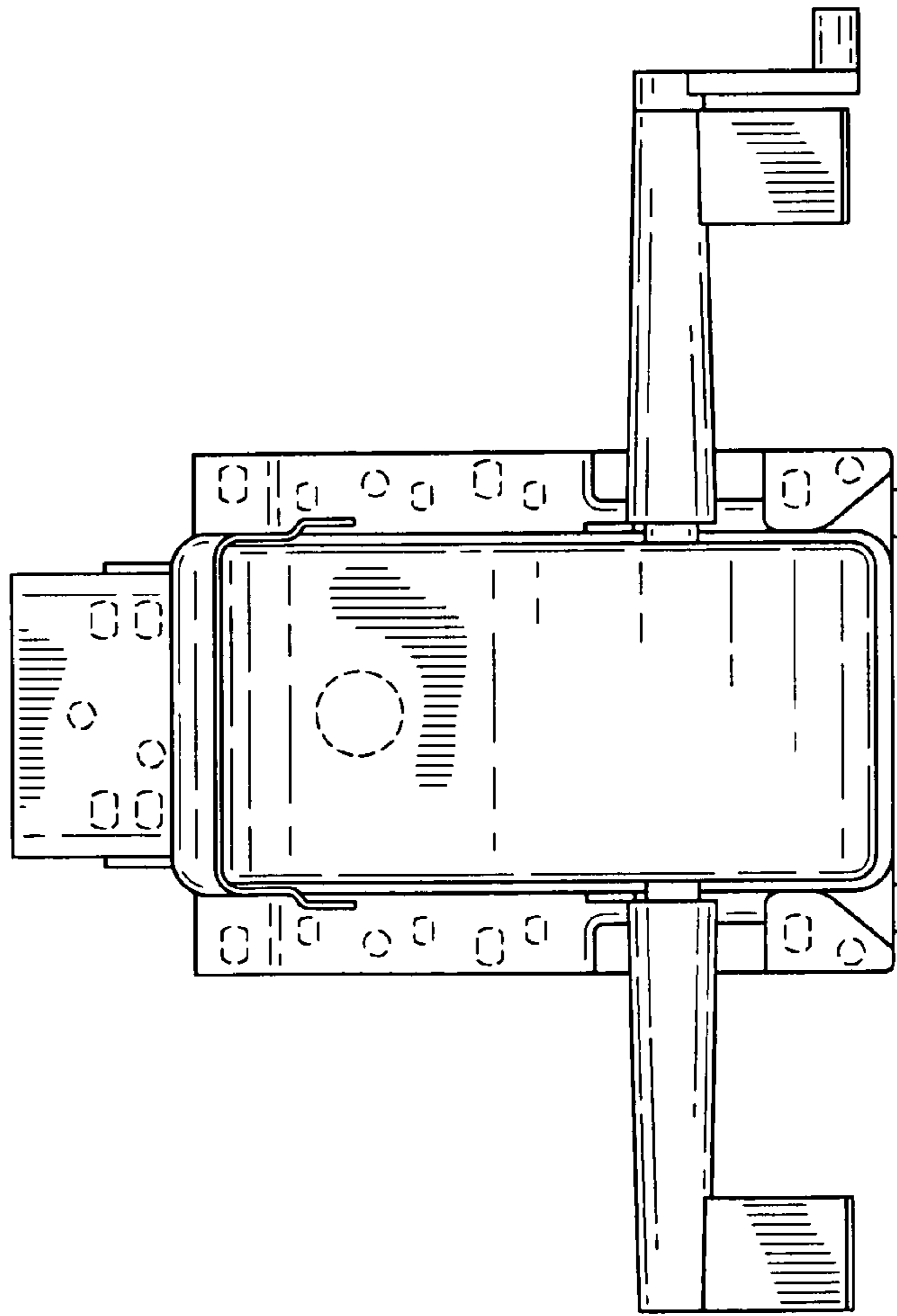


FIG-7