



US00D578321S

(12) **United States Design Patent**  
**Laflamme**

(10) **Patent No.:** **US D578,321 S**  
(45) **Date of Patent:** **\*\* Oct. 14, 2008**

(54) **TABLE**

(75) Inventor: **Luigi Laflamme**, Barcelona (ES)

(73) Assignee: **Alstom Transport SA**, Levallois-Perret (FR)

(\*\*) Term: **14 Years**

(21) Appl. No.: **29/299,212**

(22) Filed: **Dec. 20, 2007**

(30) **Foreign Application Priority Data**

Jun. 26, 2007 (EM) ..... 000746474-0001

(51) **LOC (8) Cl.** ..... **06-03**

(52) **U.S. Cl.** ..... **D6/484**; D6/432; D6/422

(58) **Field of Classification Search** ..... D6/480-489,  
D6/495-499, 429-431, 511, 419, 420, 422,  
D6/425, 426, 432; 108/150, 153.1, 156,  
108/157.1, 161; 248/188, 188.1, 188.8

See application file for complete search history.

(56) **References Cited**

**U.S. PATENT DOCUMENTS**

D249,429 S \* 9/1978 Robinson ..... D6/445

D304,980 S \* 12/1989 Bush et al. .... D6/449  
D549,492 S \* 8/2007 Sheppard ..... D6/485  
D567,536 S \* 4/2008 Paterson ..... D6/436  
D572,946 S \* 7/2008 Bollen ..... D6/487

\* cited by examiner

*Primary Examiner*—Janice E Seeger

(74) *Attorney, Agent, or Firm*—Hughes Hubbard & Reed LLP; Ronald Abramson; Peter A. Sullivan

(57) **CLAIM**

The ornamental design for a table, as shown and described.

**DESCRIPTION**

FIG. 1 is a perspective view of a table showing my new design;

FIG. 2 is a front elevational view thereof, the rear elevational view being identical;

FIG. 3 is a right side elevational view thereof, the left side elevational view being identical;

FIG. 4 is a top plan view thereof; and,

FIG. 5 is a bottom plan view thereof.

**1 Claim, 3 Drawing Sheets**

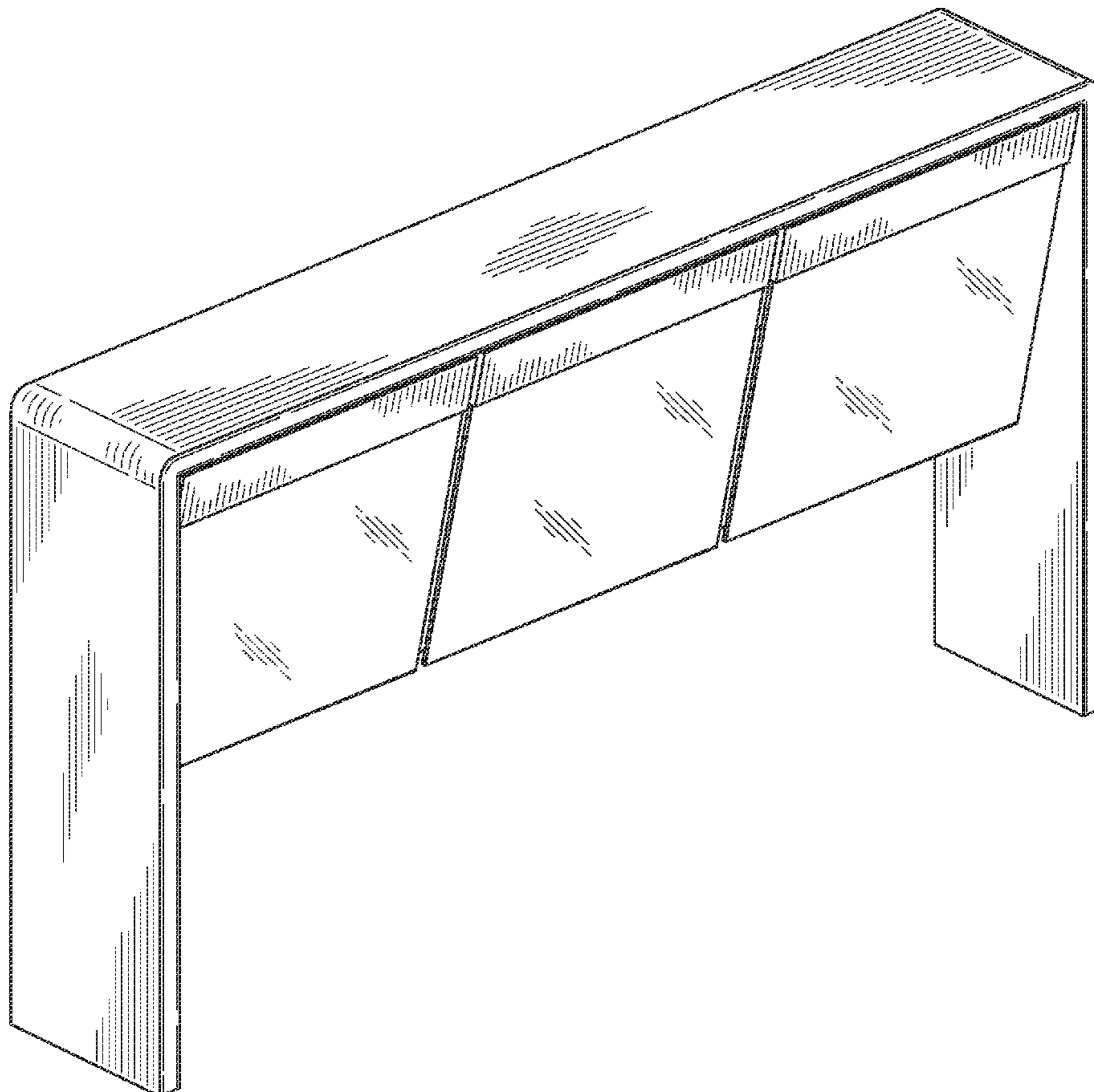




FIG. 2

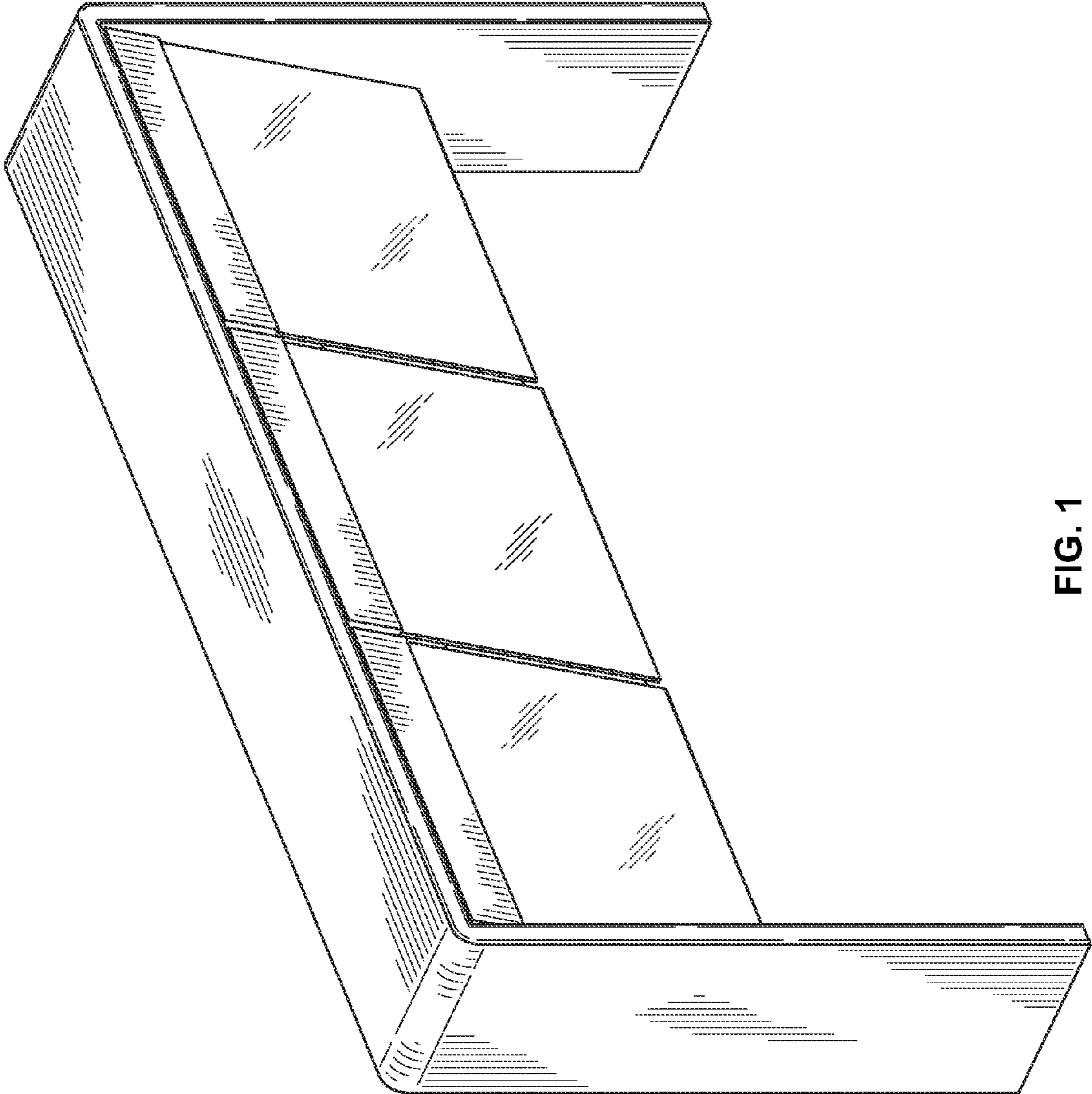


FIG. 1

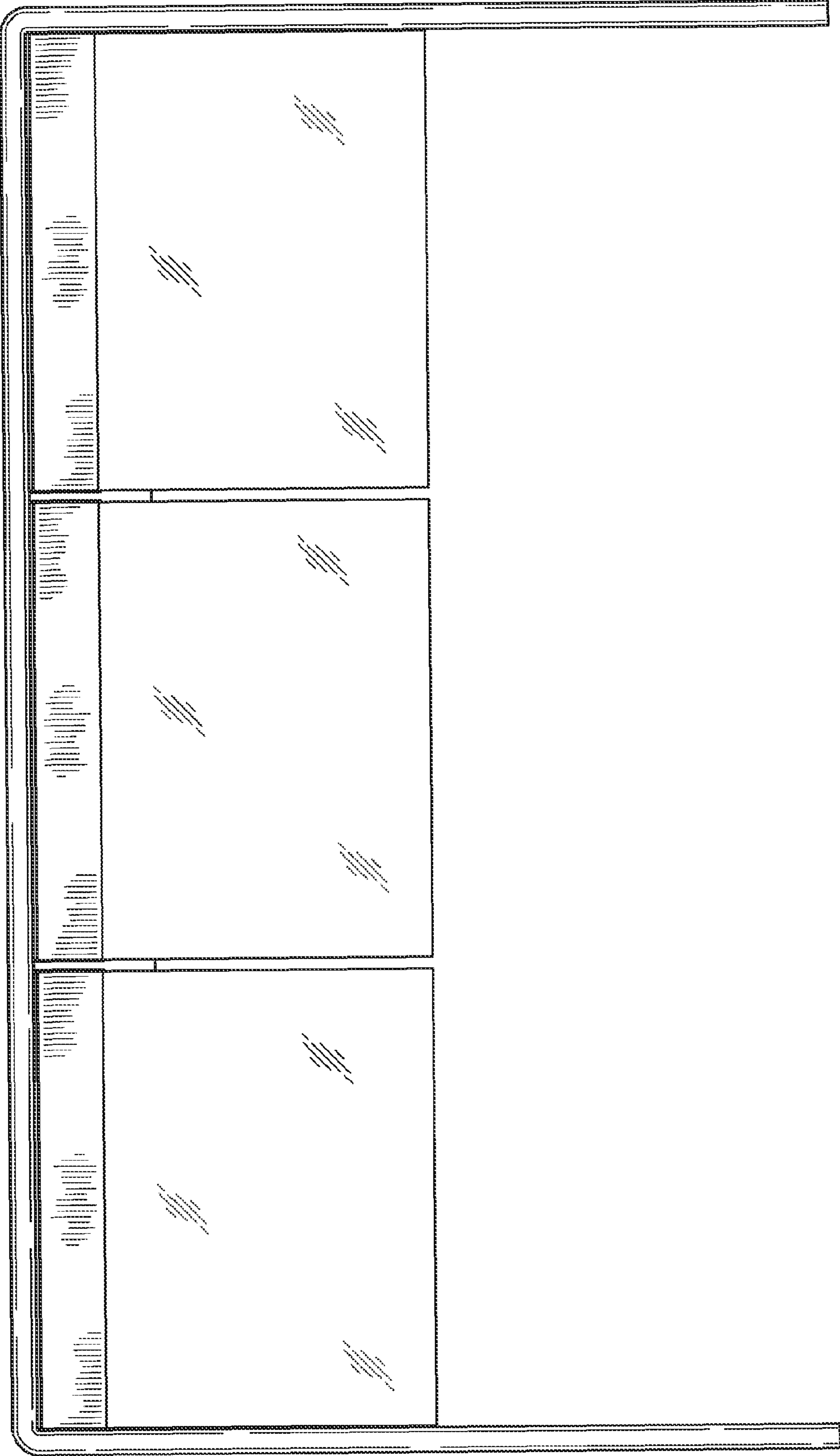


FIG. 3



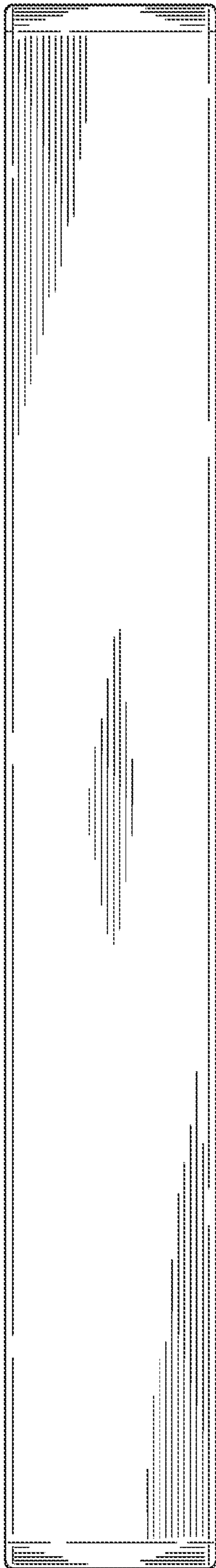


FIG. 4

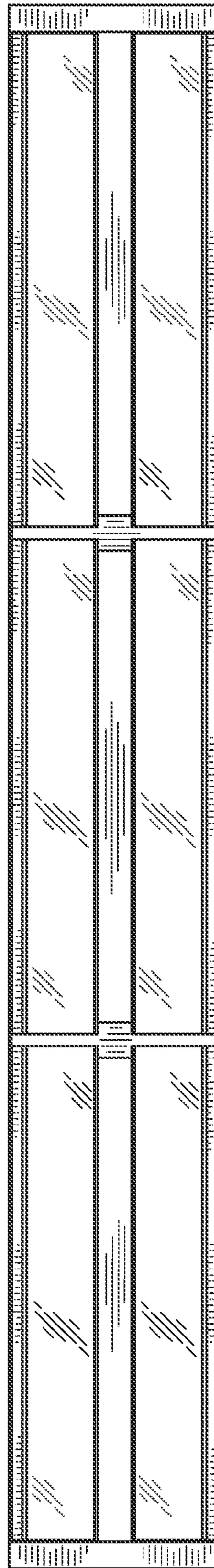


FIG. 5