



US00D578320S

(12) **United States Design Patent**
Weatherly

(10) **Patent No.:** **US D578,320 S**
(45) **Date of Patent:** **** Oct. 14, 2008**

(54) **TABLE**

(75) Inventor: **Matthew Weatherly**, Fairfax, VA (US)

(73) Assignee: **Becker Designed, Inc.**, Chantilly, VA (US)

(**) Term: **14 Years**

(21) Appl. No.: **29/297,898**

(22) Filed: **Nov. 21, 2007**

(51) **LOC (8) Cl.** **06-03**

(52) **U.S. Cl.** **D6/480**

(58) **Field of Classification Search** D6/480-489,
D6/495-499, 429-431, 451, 452; 108/150,
108/50.01, 50.02, 152, 153.1, 155, 156, 157.1;
248/188, 188.1, 188.7, 188.8, 188.9

See application file for complete search history.

(56) **References Cited**

U.S. PATENT DOCUMENTS

D96,632 S *	8/1935	Swanson	D6/487
D239,487 S *	4/1976	Hysten	D6/455
D402,142 S *	12/1998	Muller	D6/488
D450,487 S *	11/2001	Sabo	D6/477
D453,642 S *	2/2002	Mascheroni	D6/495
D519,761 S *	5/2006	Muller	D6/495

* cited by examiner

Primary Examiner—Janice E Seeger
(74) *Attorney, Agent, or Firm*—Design IP

(57) **CLAIM**

The ornamental design for a table, as shown and described.

DESCRIPTION

FIG. 1 is a perspective view of a first embodiment of a table showing my new design;

FIG. 2 is a rear orthographic view thereof;

FIG. 3 is a top orthographic view thereof;

FIG. 4 is a right side orthographic view thereof;

FIG. 5 is a left side orthographic view thereof;

FIG. 6 is a front orthographic view thereof;

FIG. 7 is a perspective view of a second embodiment of a table showing my new design;

FIG. 8 is a front orthographic view thereof;

FIG. 9 is a top orthographic view thereof;

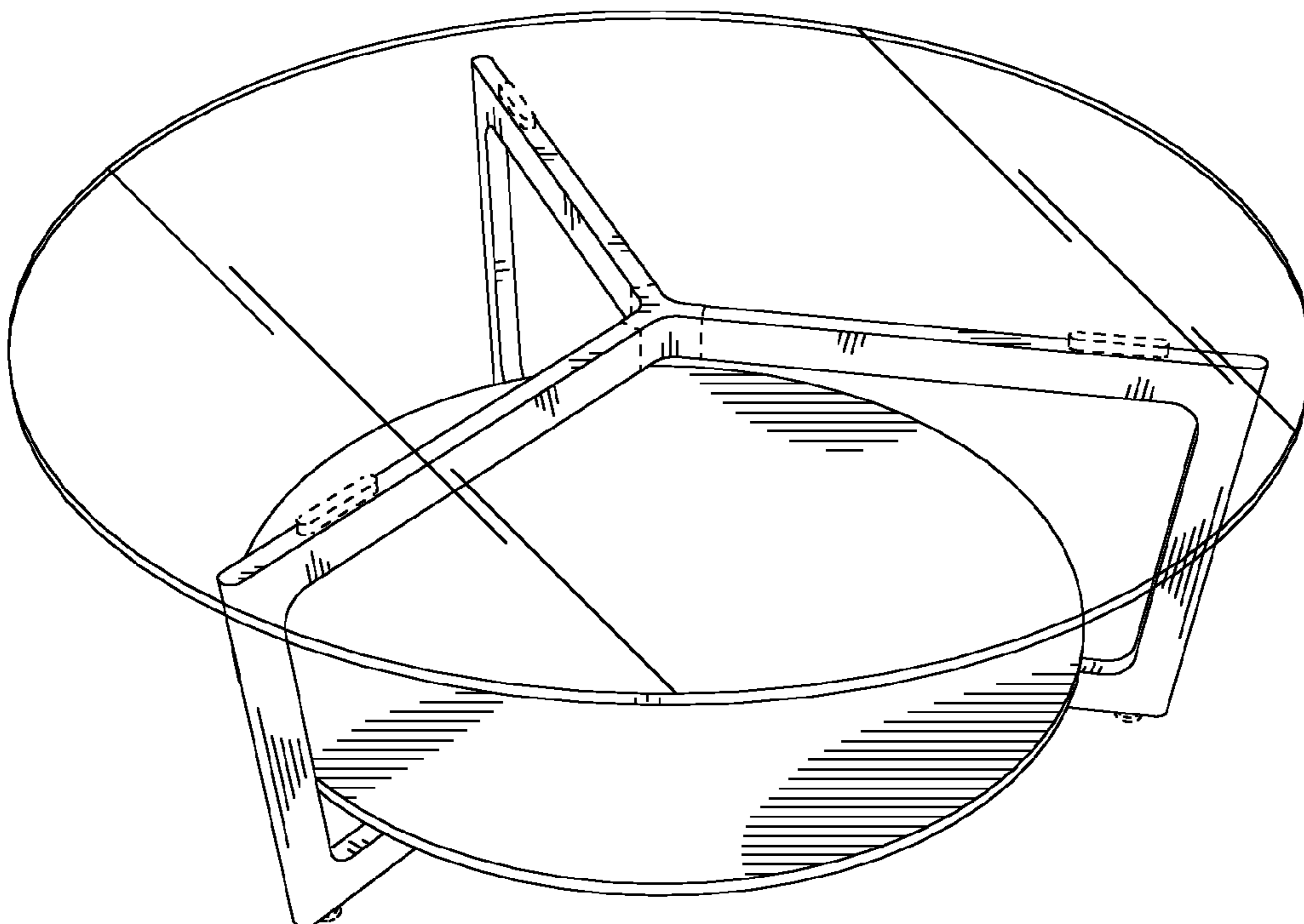
FIG. 10 is a left side orthographic view thereof;

FIG. 11 is a right side orthographic view thereof; and,

FIG. 12 is a rear orthographic view thereof.

The broken lines shown in FIGS. 1-12 are included for the purpose of illustrating environmental elements only and form no part of the claimed design. The spacers located between the table top and table legs form no part of the claimed design and are clearly shown in broken lines in FIGS. 1, 3, 7 and 9. In FIGS. 2, 4-6, 8 and 10-12, the lines representing the spacers are very short, and therefore cannot be clearly represented with broken lines in these views. The bottom view is omitted and forms no part of the claimed design.

1 Claim, 12 Drawing Sheets



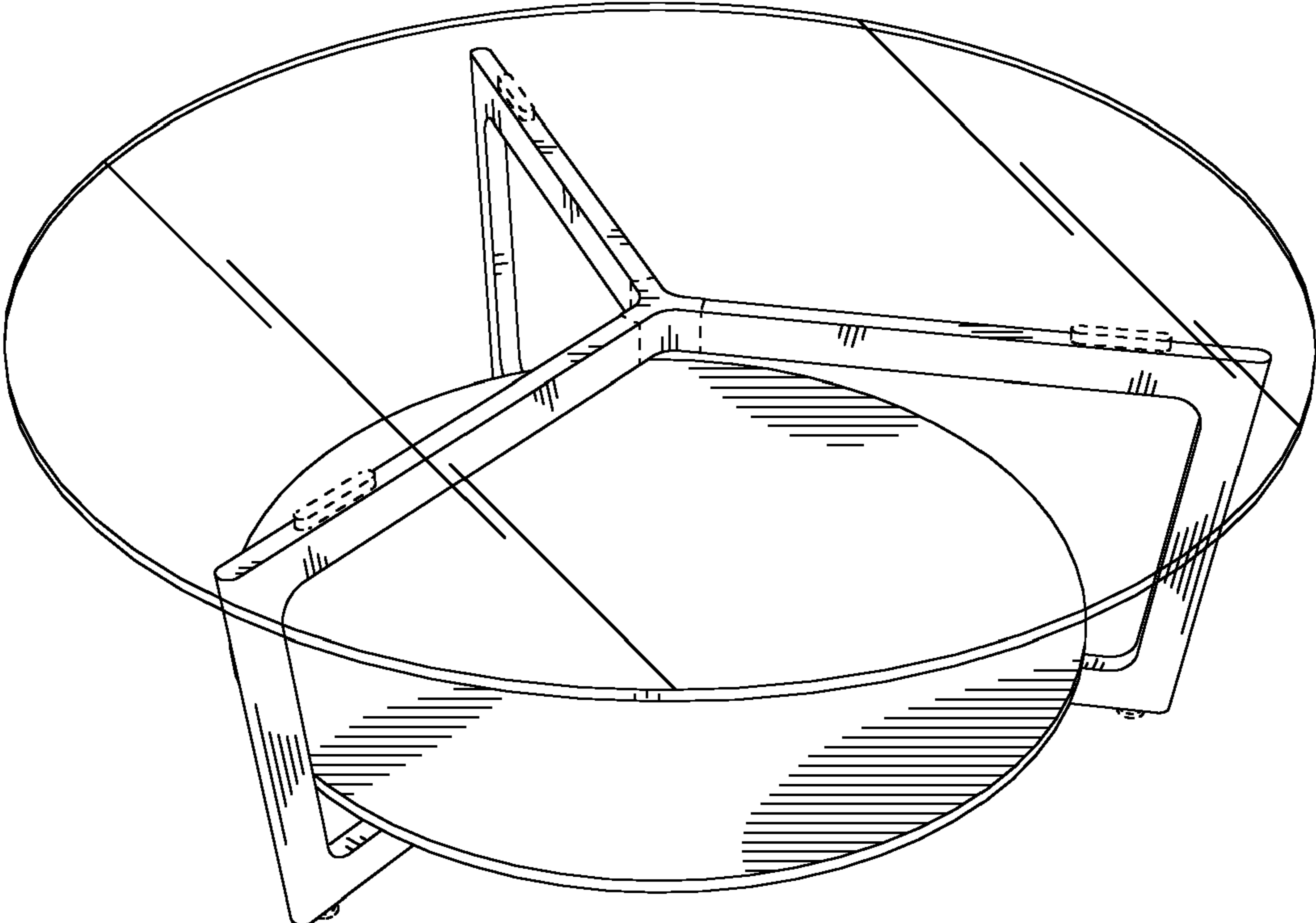


Fig. 1

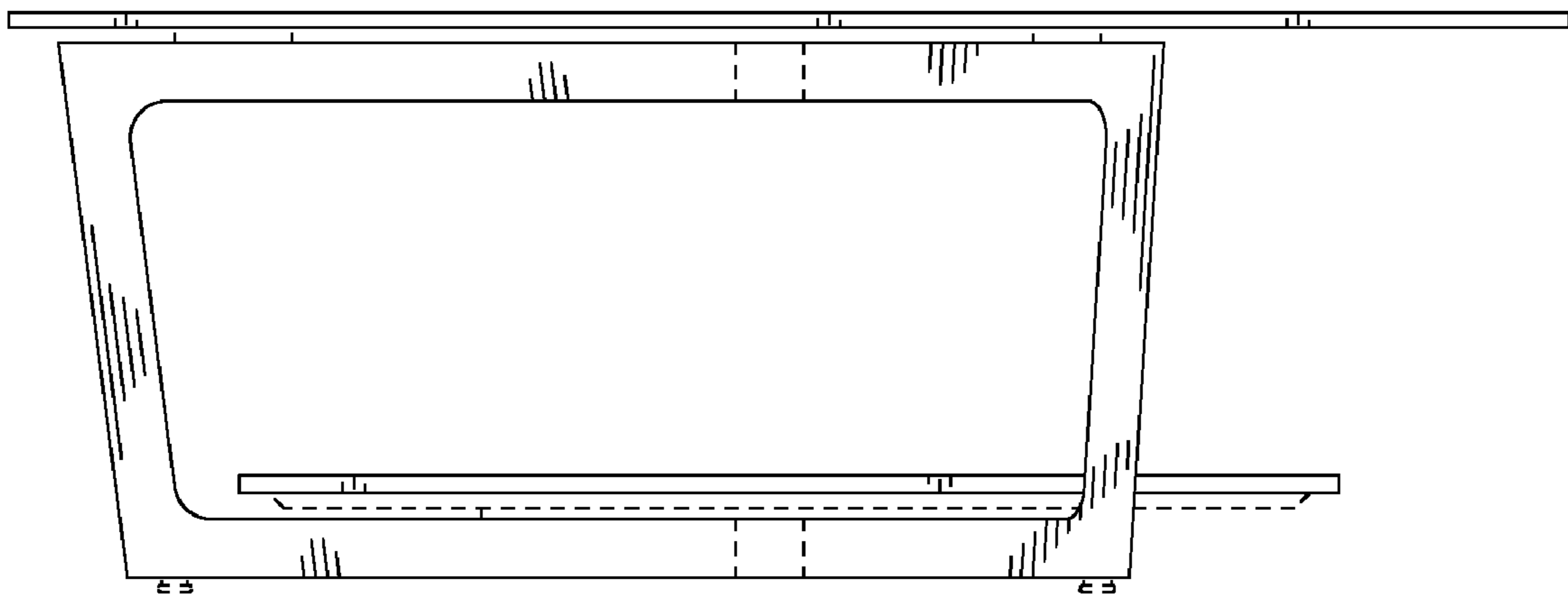


Fig. 2

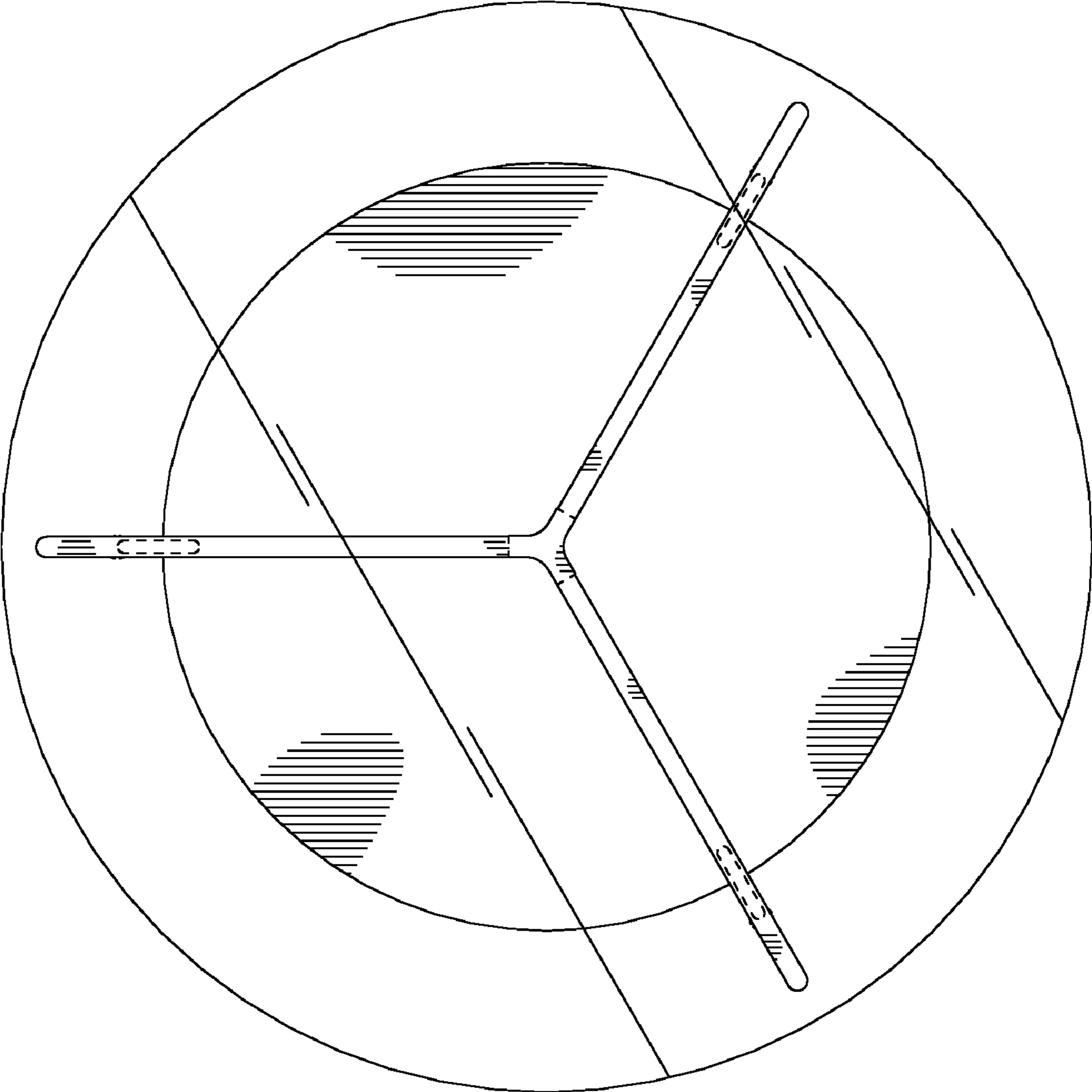


Fig. 3

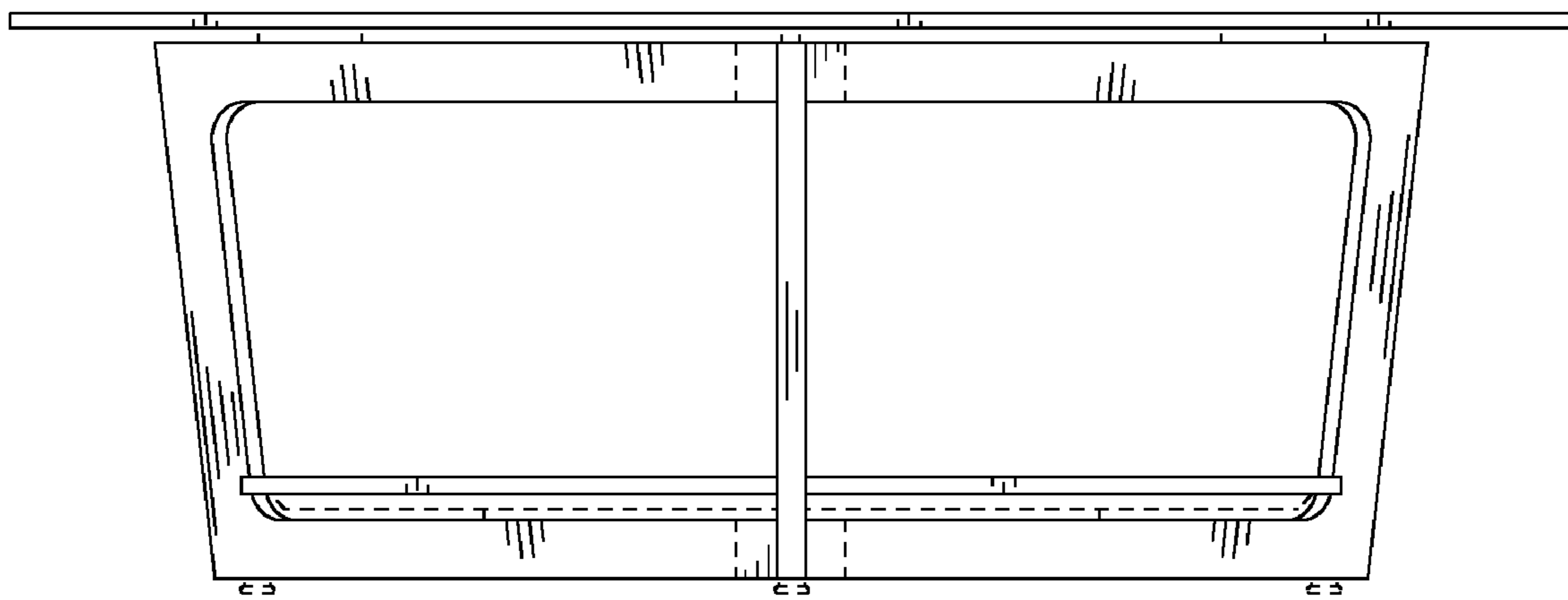


Fig. 4

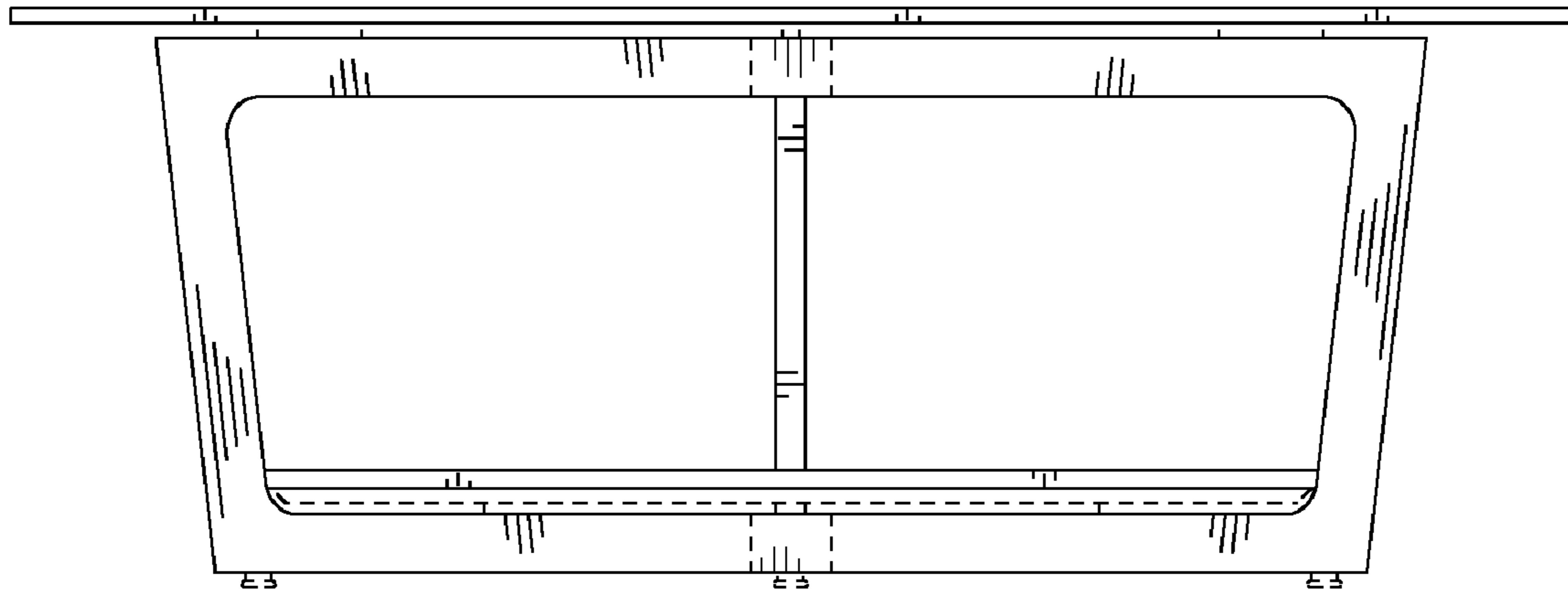


Fig. 5

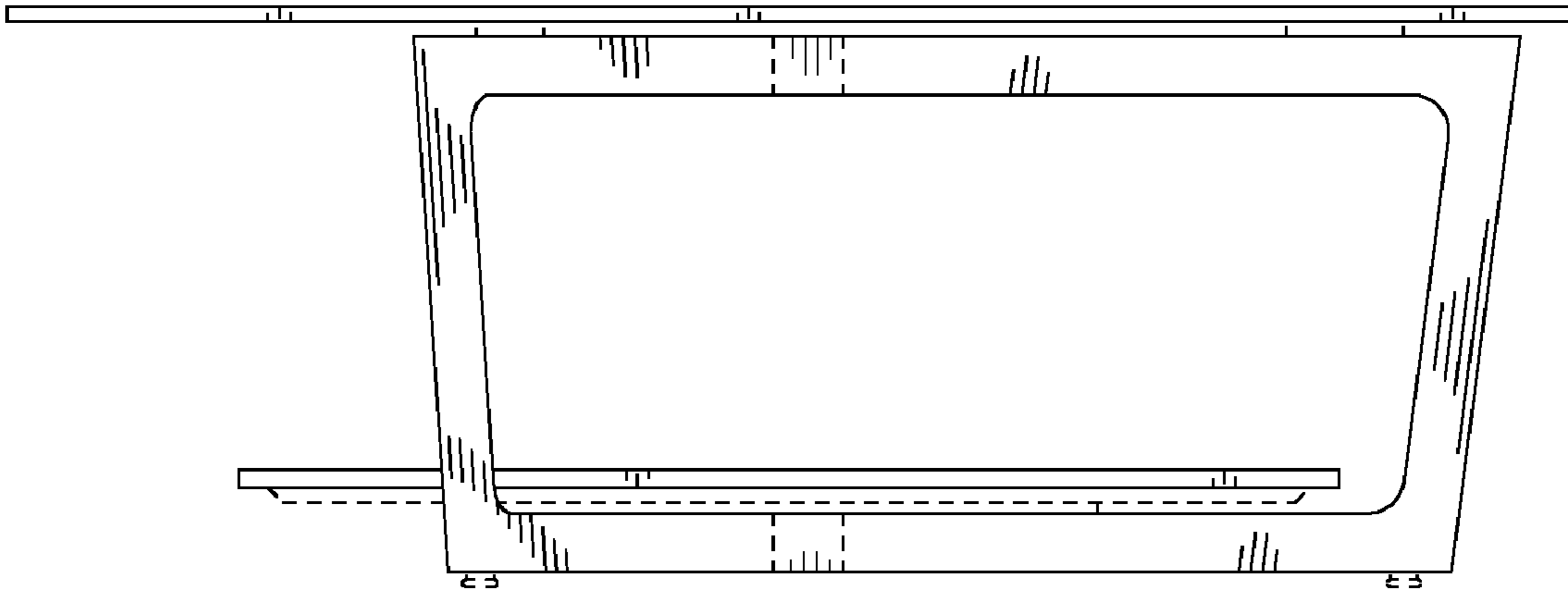


Fig. 6

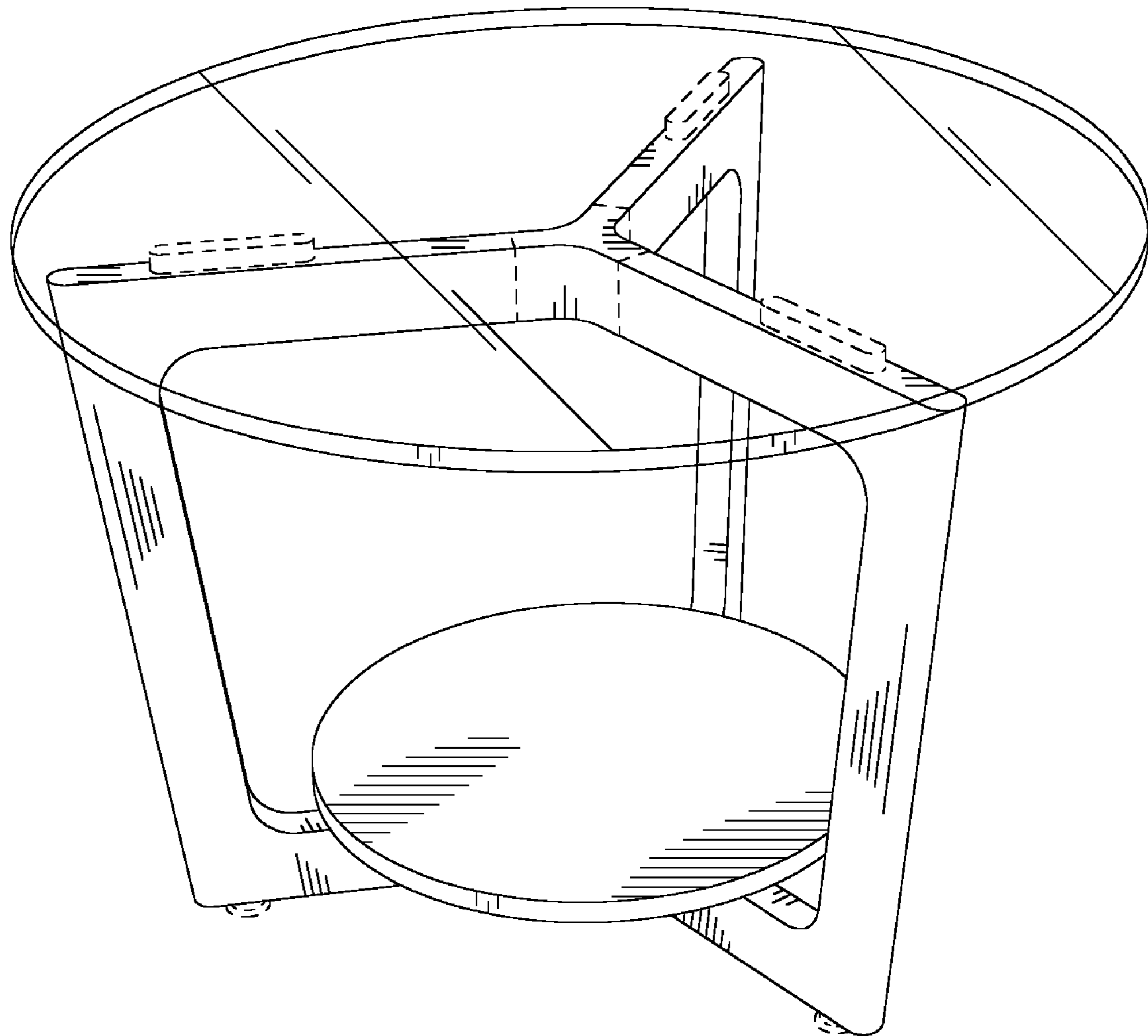


Fig. 7

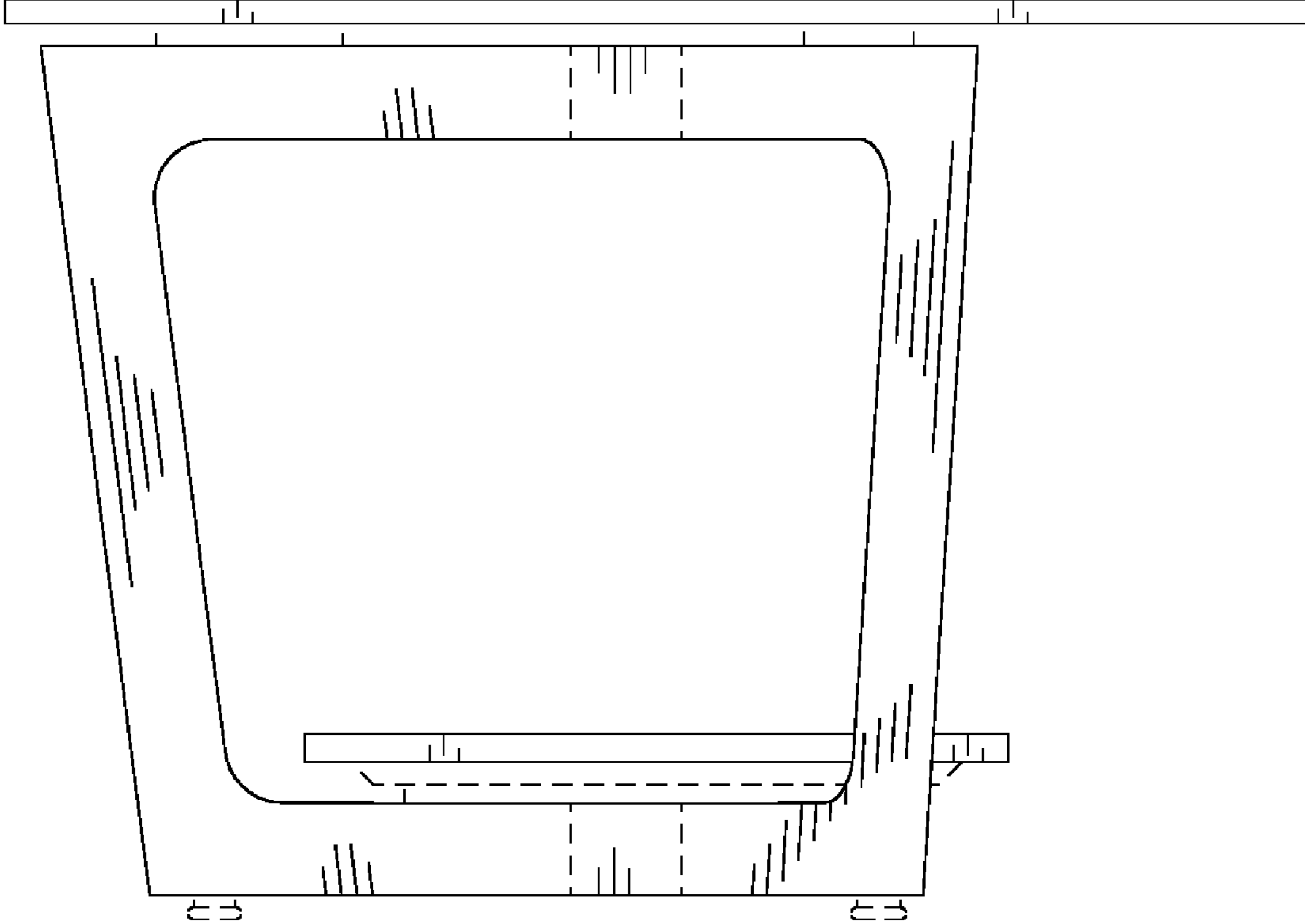


Fig. 8

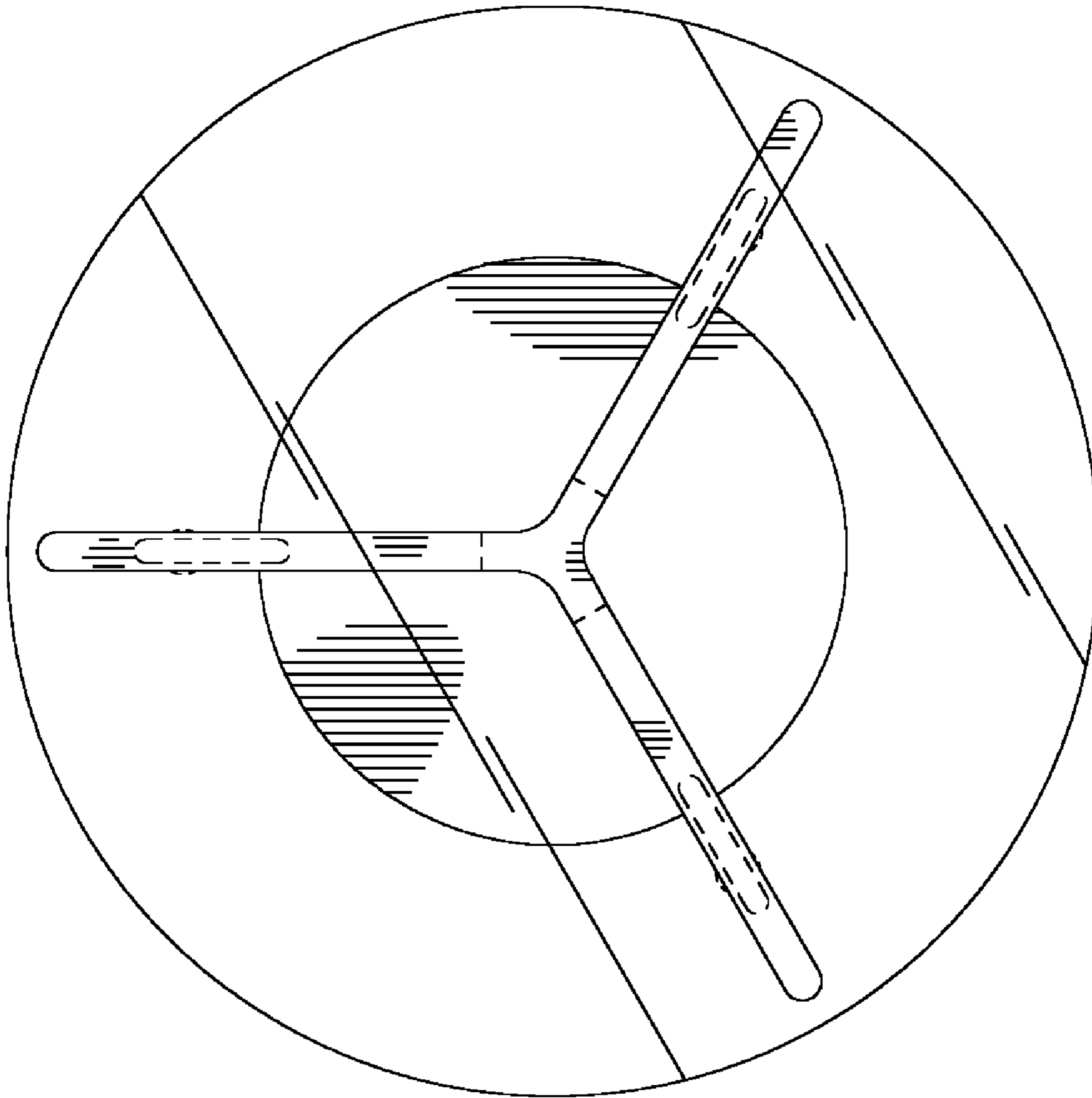


Fig. 9

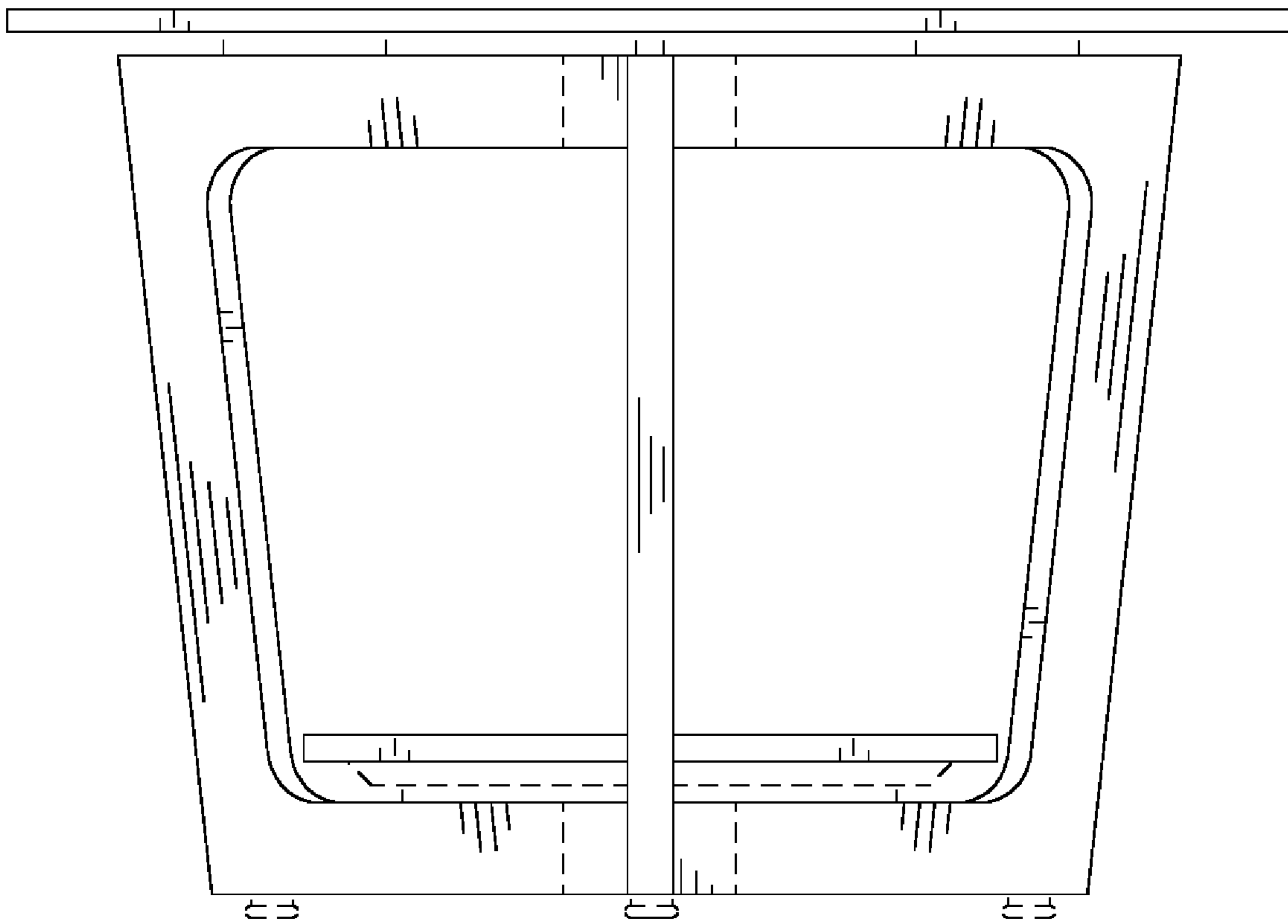


Fig. 10

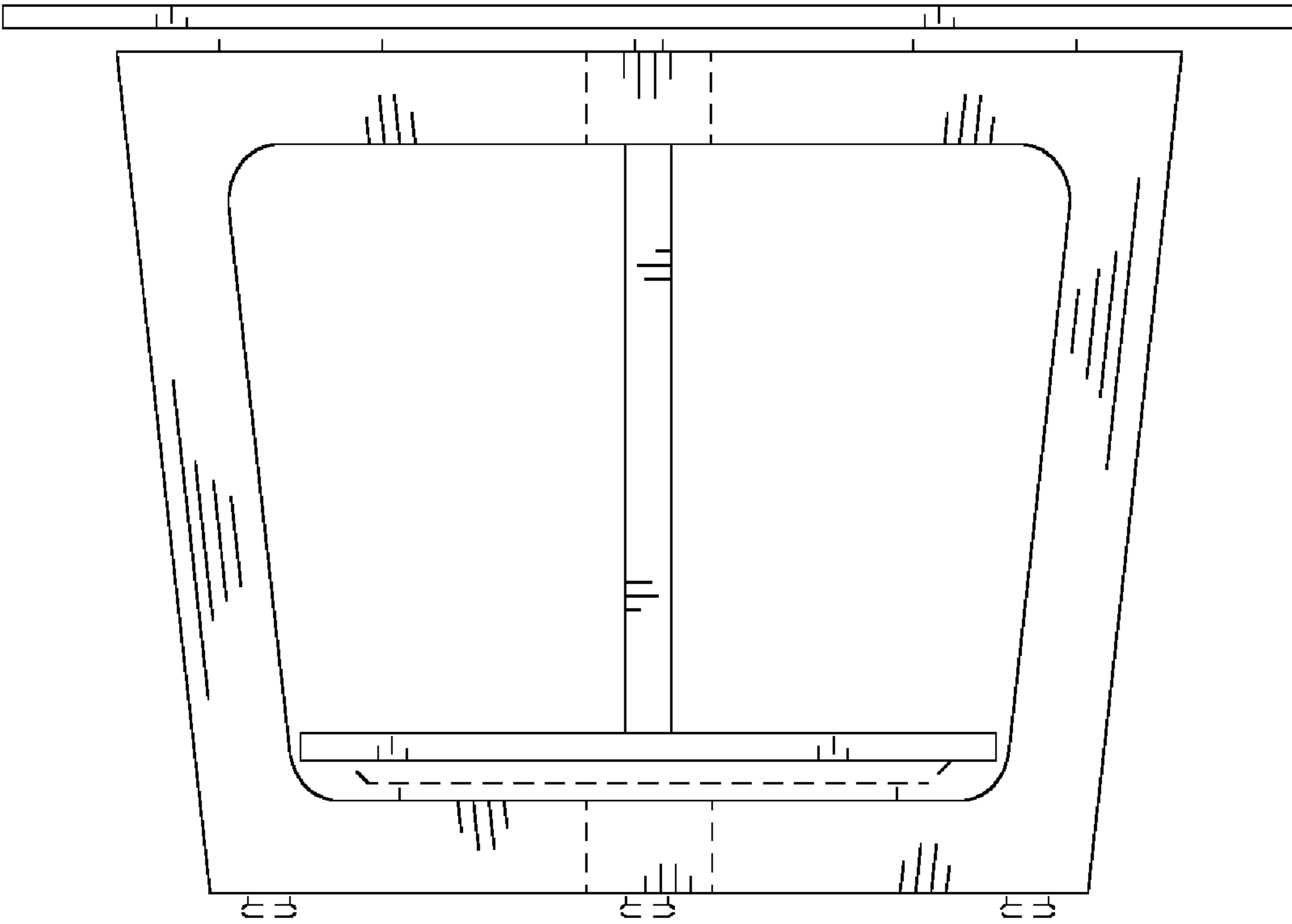


Fig. 11

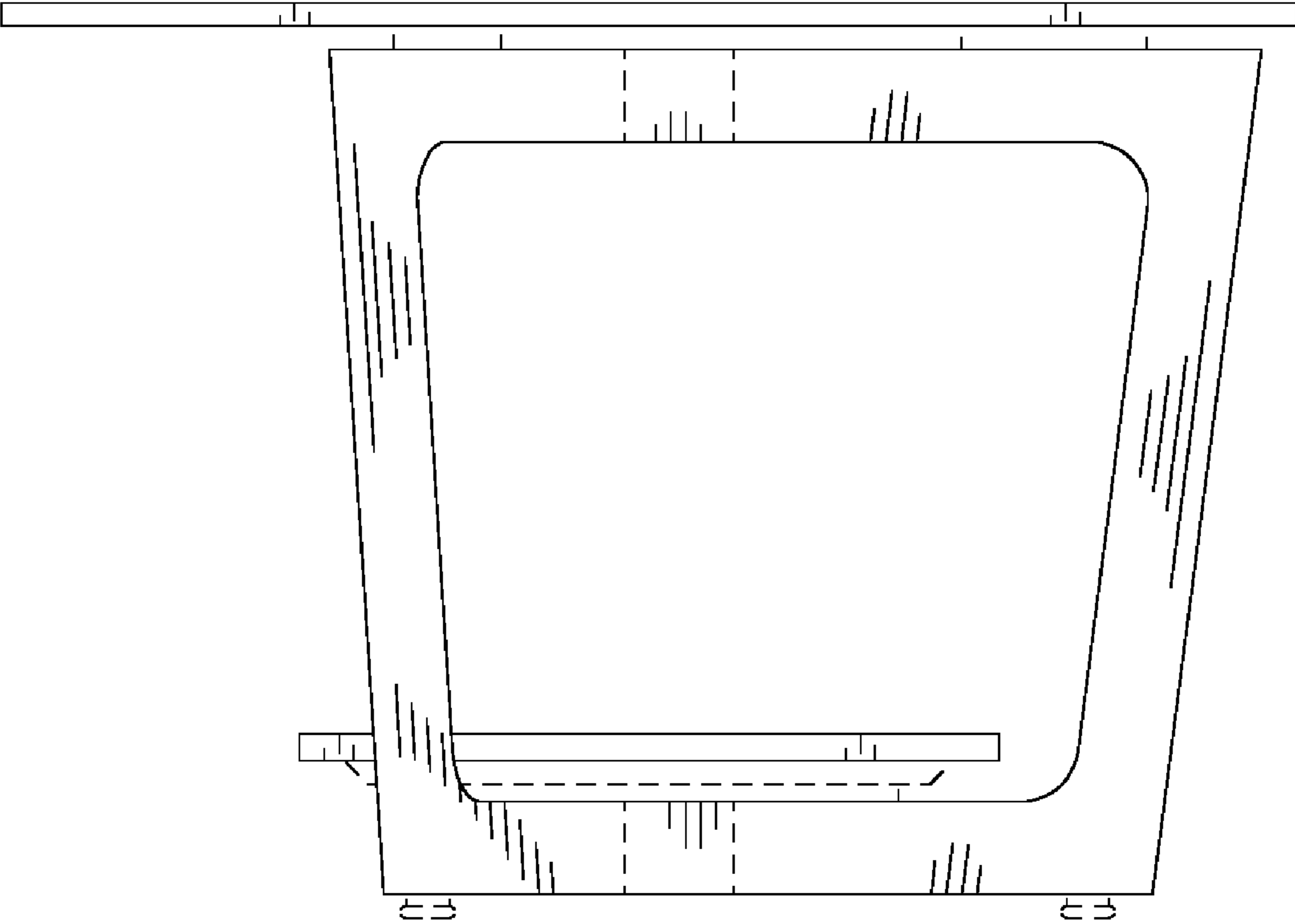


Fig. 12