



US00D578319S

(12) **United States Design Patent**
Lim

(10) **Patent No.:** **US D578,319 S**

(45) **Date of Patent:** **** Oct. 14, 2008**

(54) **ARMOIRE**

(76) Inventor: **Kok Jit Lim**, 10 Pilot Cir., Greensboro,
NC (US) 27407

(**) Term: **14 Years**

(21) Appl. No.: **29/273,649**

(22) Filed: **Mar. 9, 2007**

(51) **LOC (8) Cl.** **06-04**

(52) **U.S. Cl.** **D6/441; D6/436**

(58) **Field of Classification Search** D6/411,
D6/474, 477-479, 436, 437, 441, 470, 472;
312/204, 324, 326, 321

See application file for complete search history.

(56) **References Cited**

U.S. PATENT DOCUMENTS

D141,016 S *	4/1945	Stanitz	D6/436
D150,053 S *	6/1948	Brunmark	D6/436
D429,089 S *	8/2000	Swensson et al.	D6/437
D448,949 S *	10/2001	O'Hare et al.	D6/438
D457,350 S *	5/2002	Jeup	D6/441
D472,070 S *	3/2003	de Carolis	D6/441
D480,234 S *	10/2003	O'Hare	D6/441
D488,693 S *	4/2004	Yahagi	D6/441
D494,385 S *	8/2004	Mitchell	D6/470
D508,622 S *	8/2005	O'Hare	D6/441
D518,661 S *	4/2006	Mellini	D6/436

D519,748 S *	5/2006	Katz et al.	D6/438
D527,204 S *	8/2006	O'Hare	D6/441
D543,219 S *	5/2007	Heath et al.	D15/89
7,261,384 B1	8/2007	Craft et al.		
D552,301 S *	10/2007	Domack et al.	D6/422
D552,878 S *	10/2007	O'Hare et al.	D6/441
D559,590 S *	1/2008	Sheppard	D6/481

* cited by examiner

Primary Examiner—Elizabeth A. Albert
Assistant Examiner—Kelley A Donnelly

(57) **CLAIM**

The ornamental design for an armoire, as shown and described.

DESCRIPTION

FIG. 1 is a top, front, left side perspective view of my design;

FIG. 2 is a top plan view thereof;

FIG. 3 is a bottom plan view thereof;

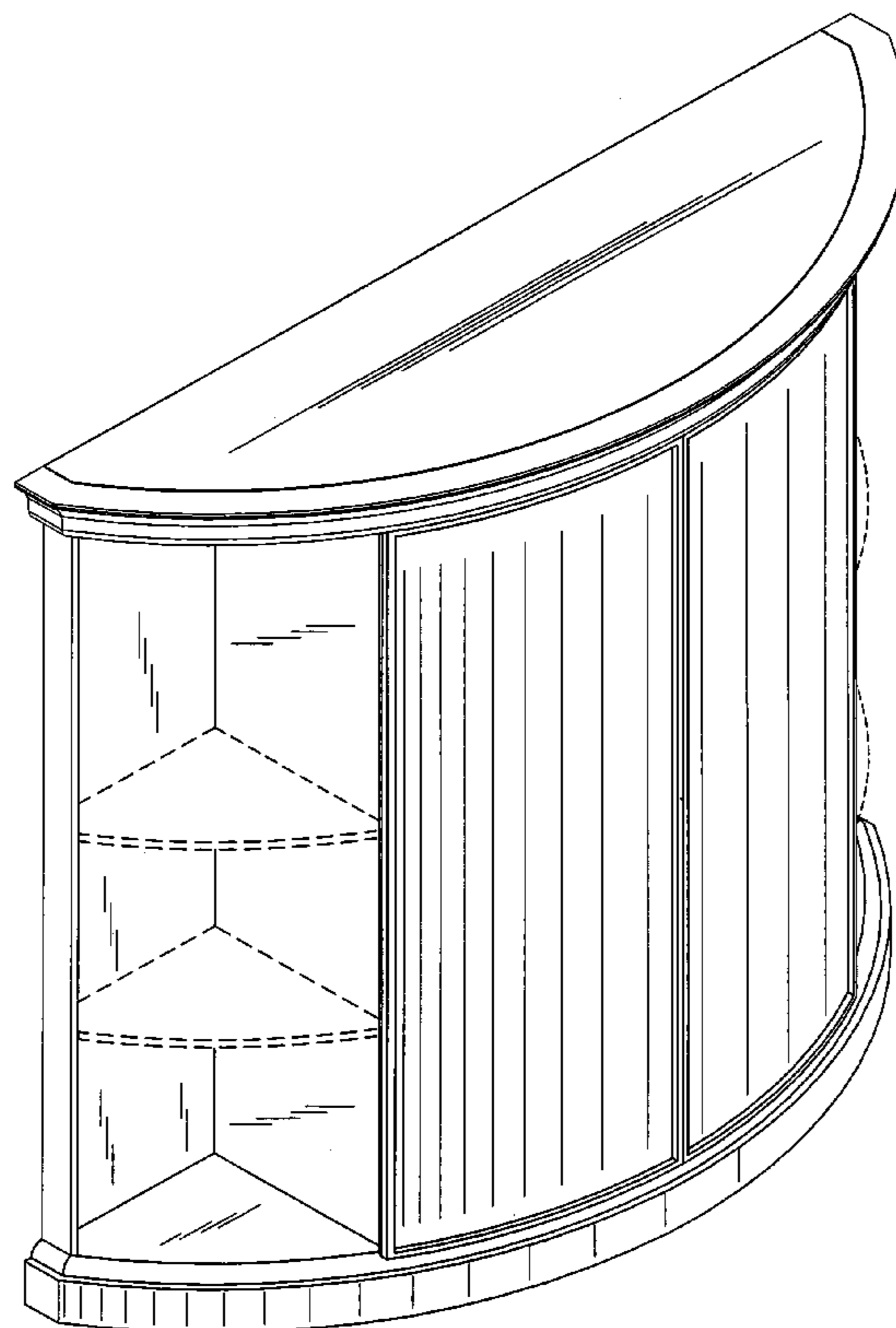
FIG. 4 is a right side elevational view thereof, the left side elevational view being a mirror image thereof;

FIG. 5 is a rear elevational view thereof; and,

FIG. 6 is a front elevational view thereof.

The broken lines of a shelf are for environmental purposes only and form no part of the claimed design.

1 Claim, 5 Drawing Sheets



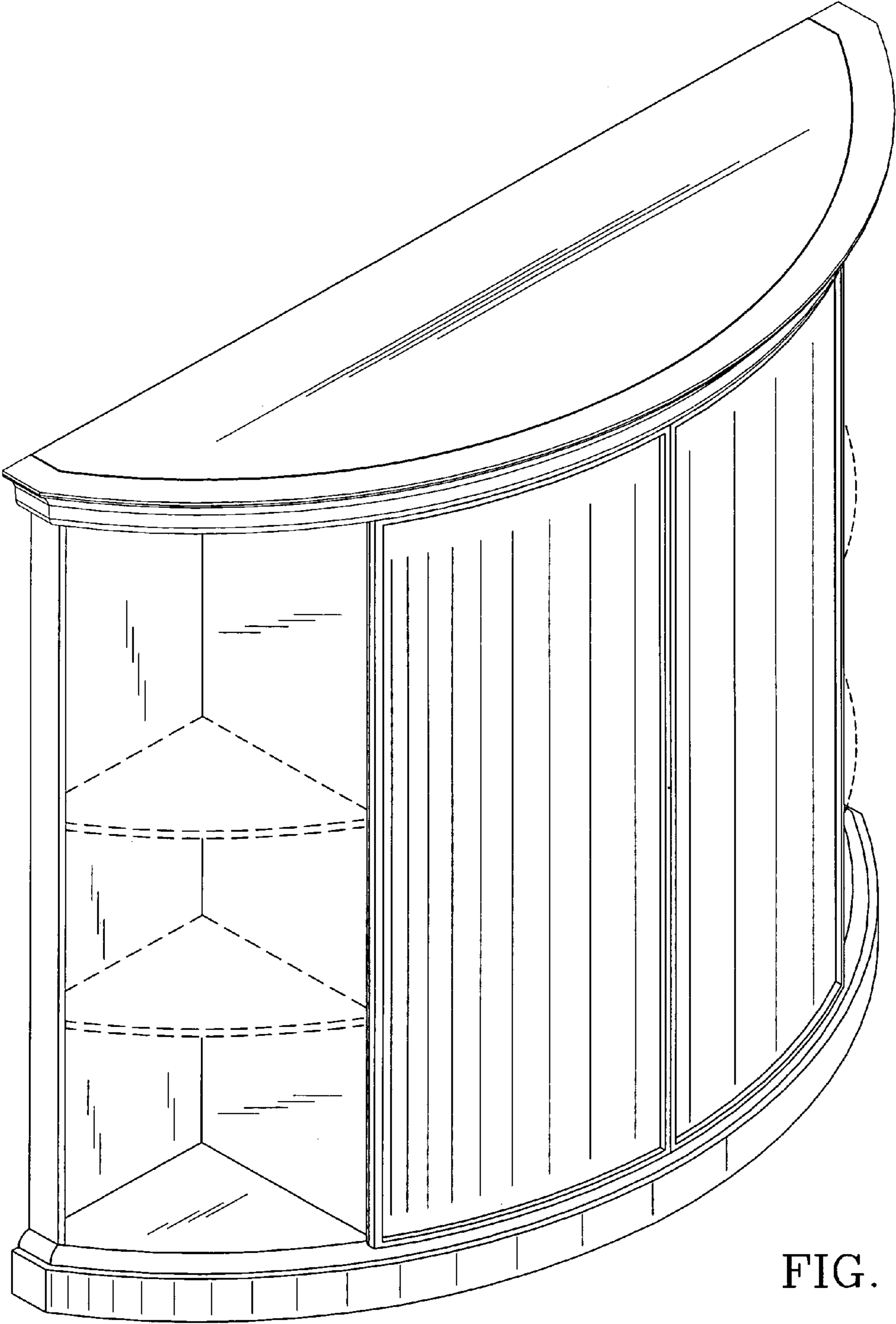


FIG. 1

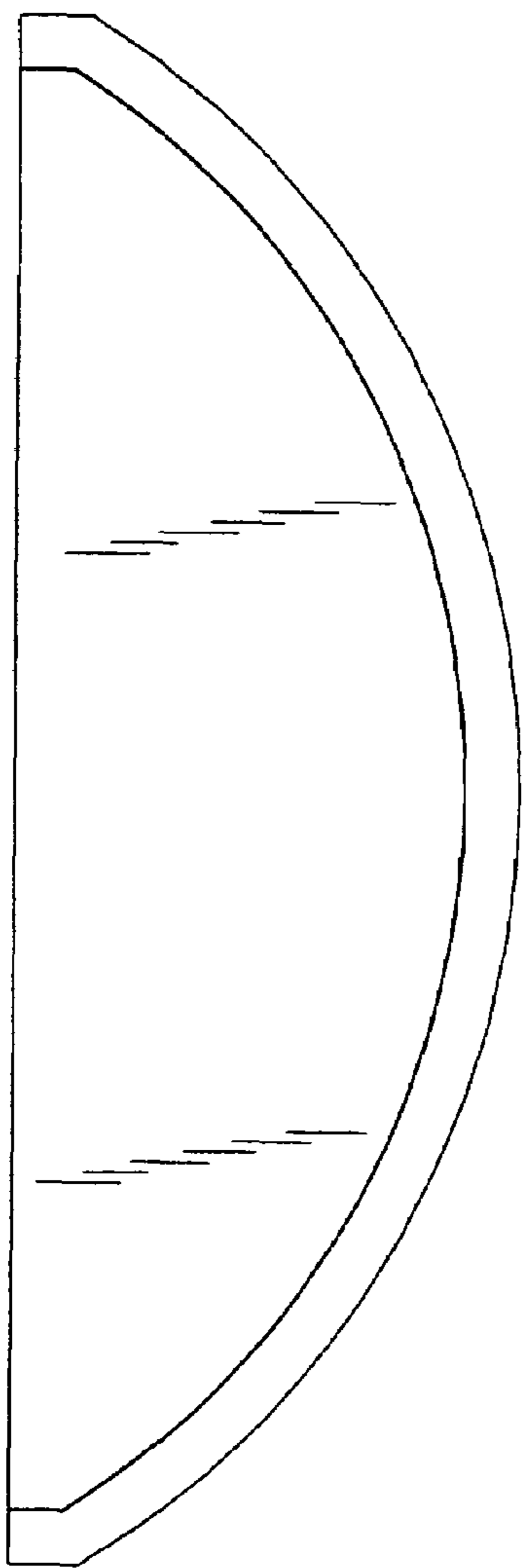


FIG. 2

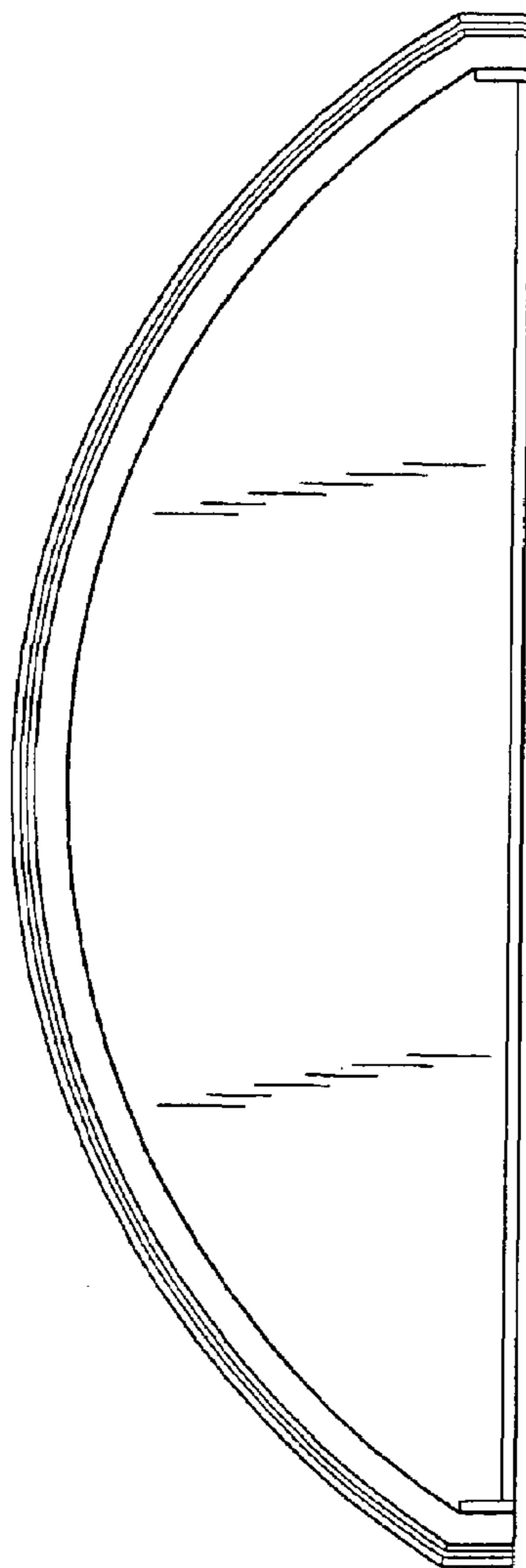


FIG. 3

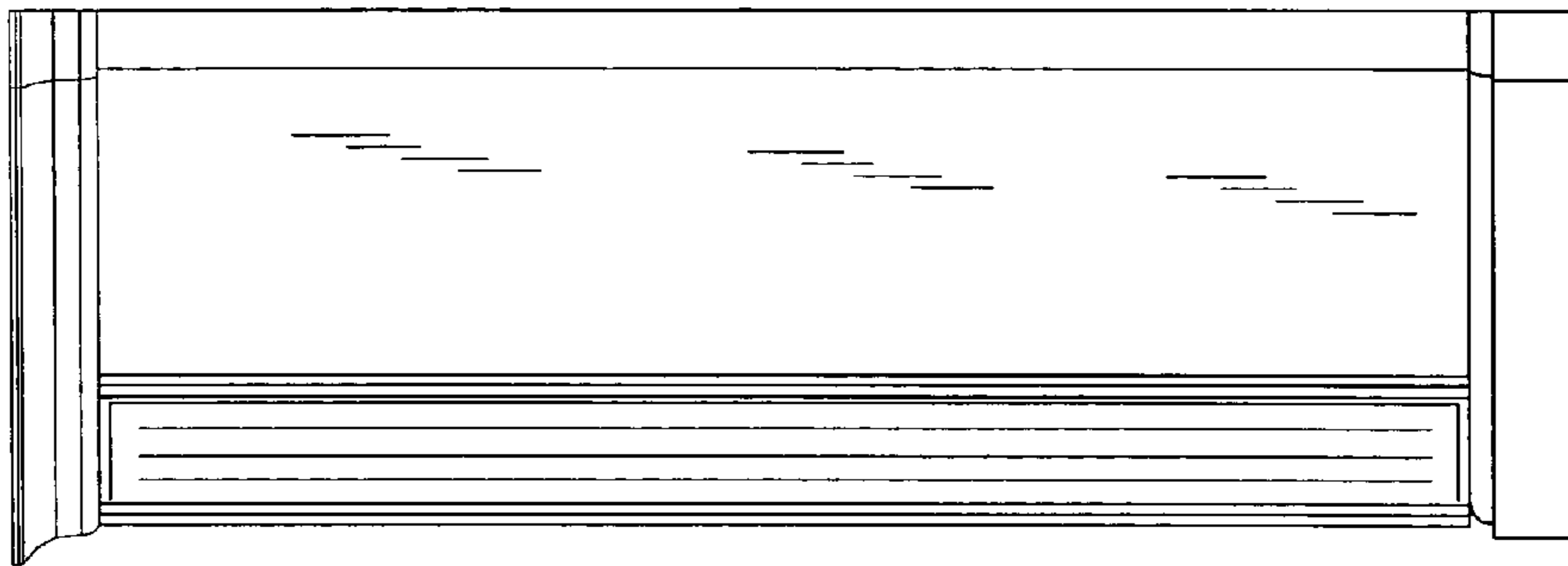


FIG. 4

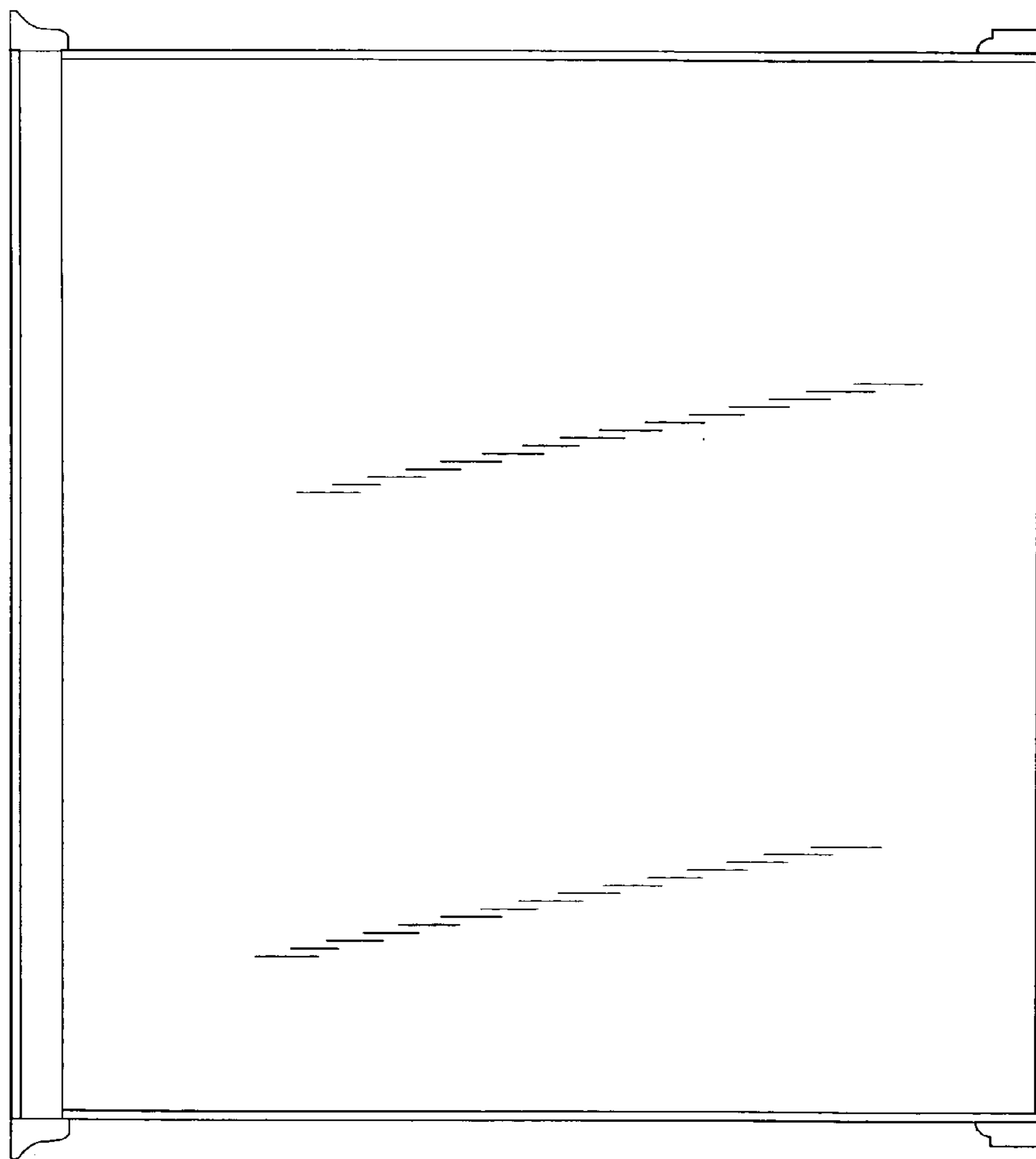


FIG. 5

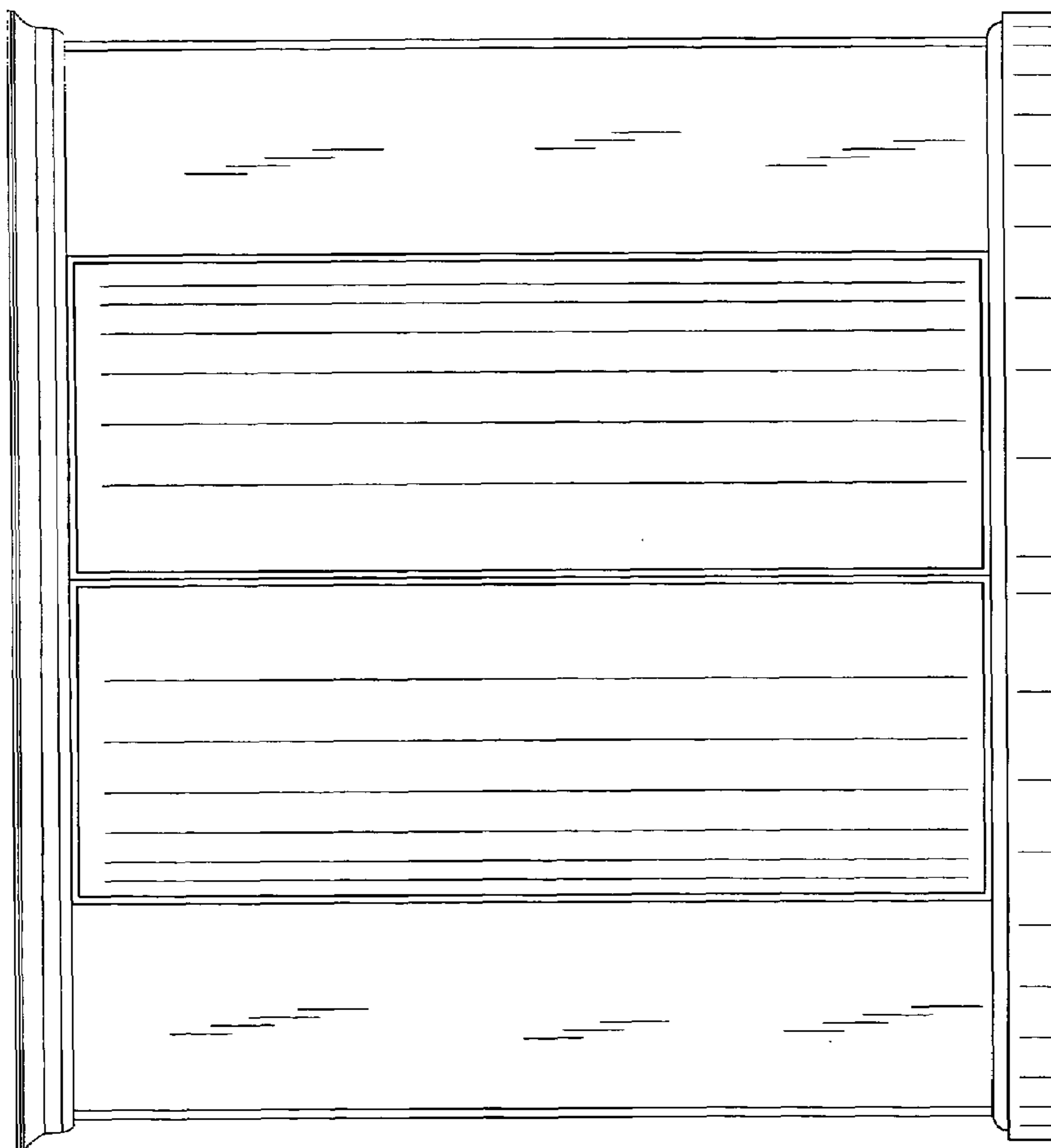


FIG. 6