



US00D578316S

(12) **United States Design Patent**  
**Whittington**

(10) **Patent No.:** **US D578,316 S**

(45) **Date of Patent:** **\*\* Oct. 14, 2008**

(54) **COMFORT BACKREST**

(75) Inventor: **Peter C. Whittington**, Miami, FL (US)

(73) Assignee: **ProFX Apparel, Inc.**, Miami, FL (US)

(\*\*) Term: **14 Years**

(21) Appl. No.: **29/299,396**

(22) Filed: **Dec. 26, 2007**

(51) **LOC (8) Cl.** ..... **06-01**

(52) **U.S. Cl.** ..... **D6/356; D6/375**

(58) **Field of Classification Search** ..... D6/333-336,  
D6/356, 366, 374, 375, 376, 379, 380, 500-502;  
297/DIG. 2, 216.1, 216.11, 250.1, 216.12,  
297/452.12, 452.18, 452.19; D12/18, 88  
See application file for complete search history.

(56) **References Cited**

**U.S. PATENT DOCUMENTS**

- D134,560 S \* 12/1942 Fletcher ..... D6/356
- D219,584 S \* 12/1970 McQueen ..... D6/356
- D219,813 S \* 2/1971 McQueen ..... D6/356

- D246,812 S \* 1/1978 Canter et al. .... D6/375
- D283,469 S \* 4/1986 Zimmerman ..... D6/356
- D526,496 S \* 8/2006 Brown et al. .... D6/356

\* cited by examiner

*Primary Examiner*—Mimosa De

(74) *Attorney, Agent, or Firm*—Laurence A. Greenberg;  
Werner H. Stemer; Ralph E. Locher

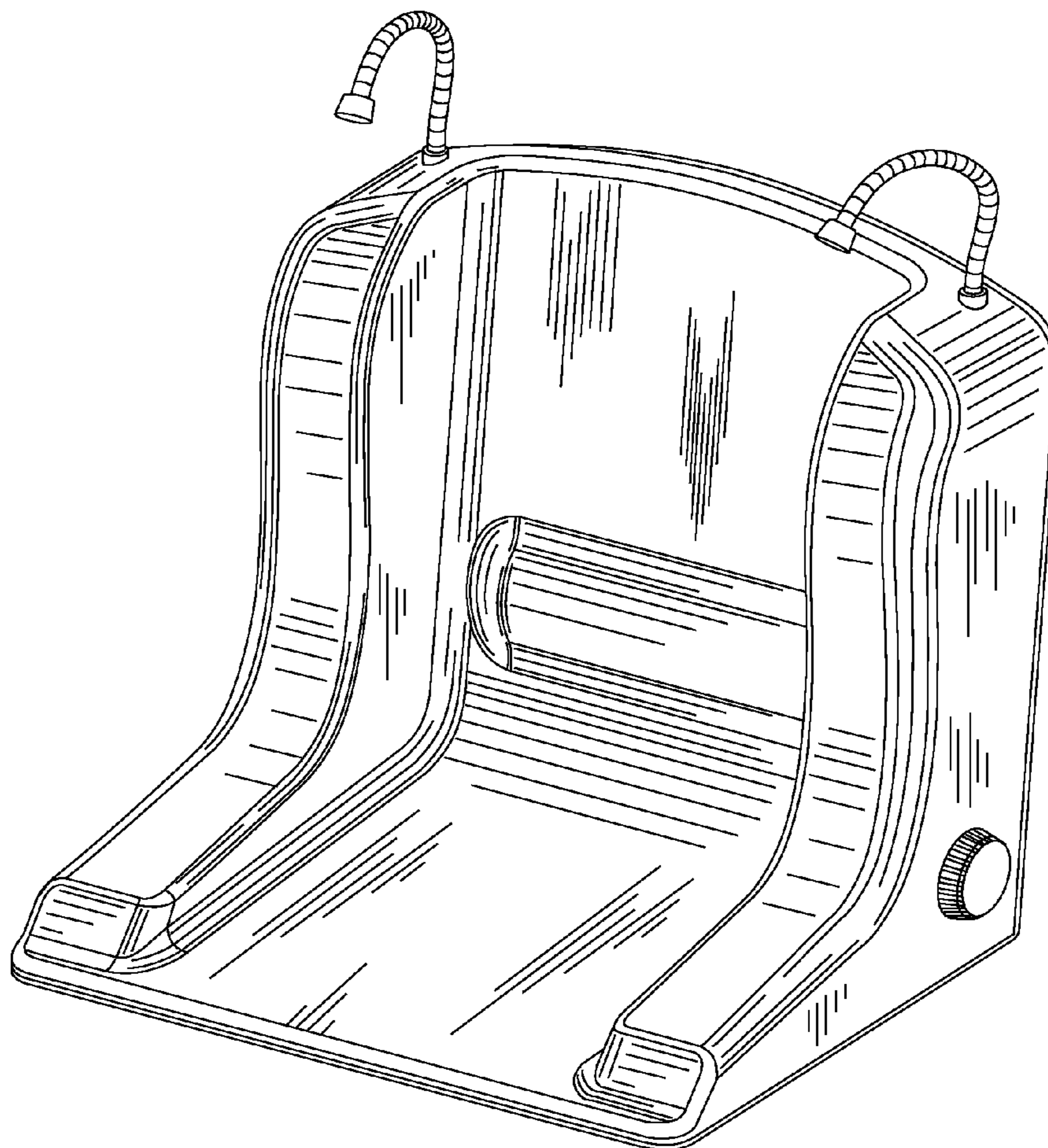
(57) **CLAIM**

The ornamental design for the comfort backrest, as shown and described.

**DESCRIPTION**

FIG. 1 is a perspective view of the comfort backrest, showing my new design;  
 FIG. 2 is a plan view taken from the front thereof;  
 FIG. 3 is a right-side view thereof;  
 FIG. 4 is a left-side view thereof;  
 FIG. 5 is a top plan view thereof; and,  
 FIG. 6 is a bottom plan view thereof.

**1 Claim, 6 Drawing Sheets**



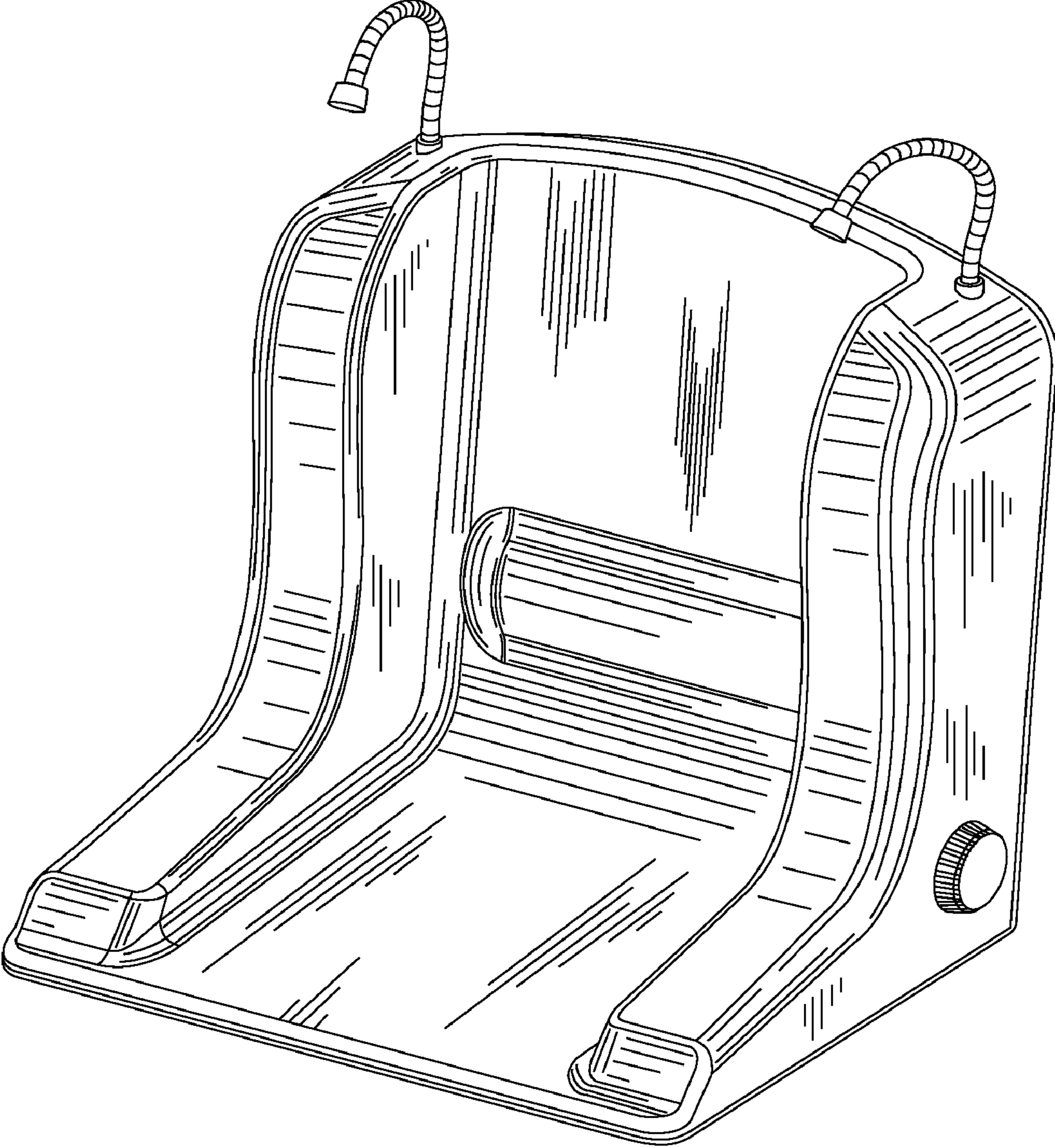


Fig. 1

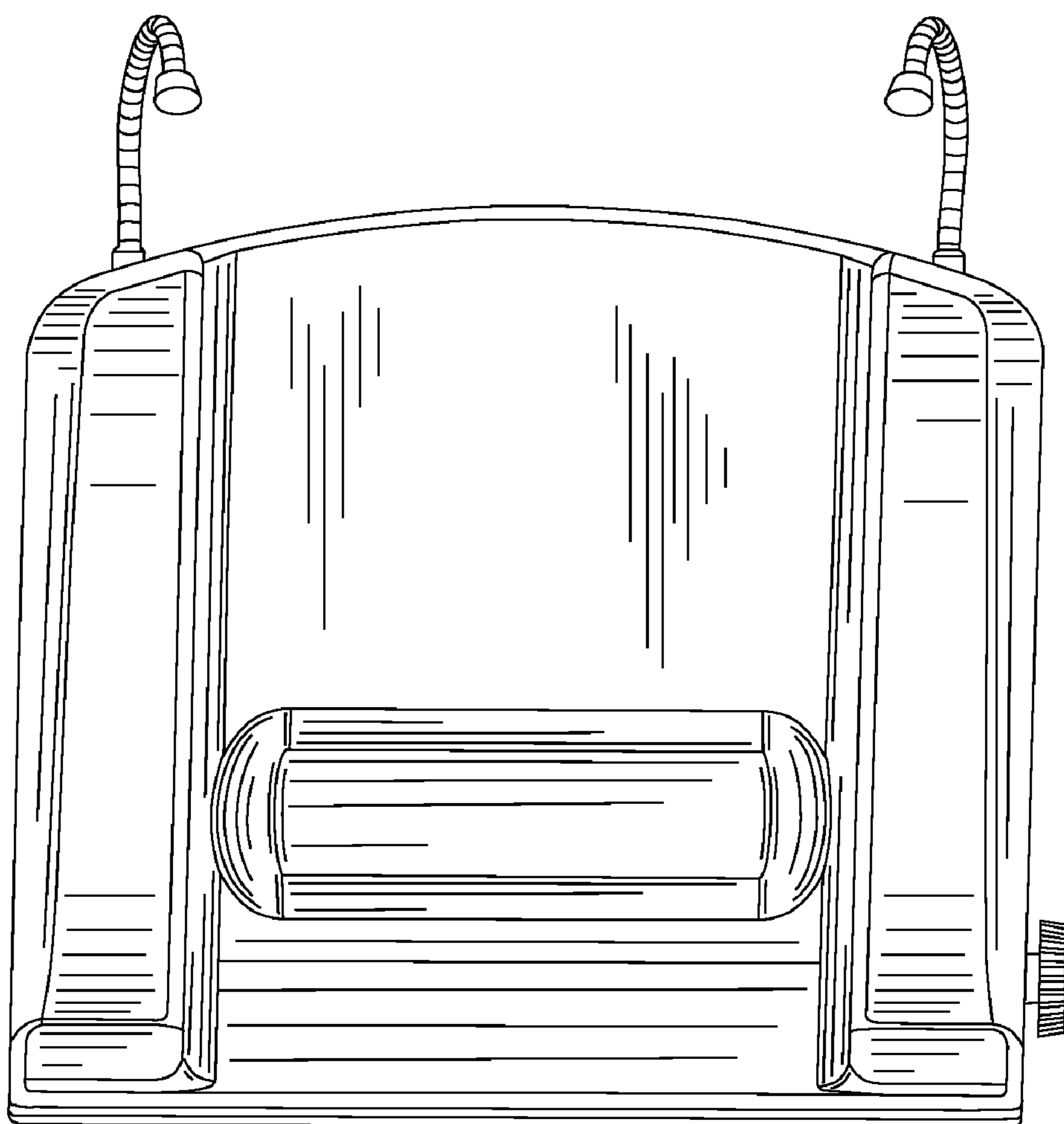


Fig. 2

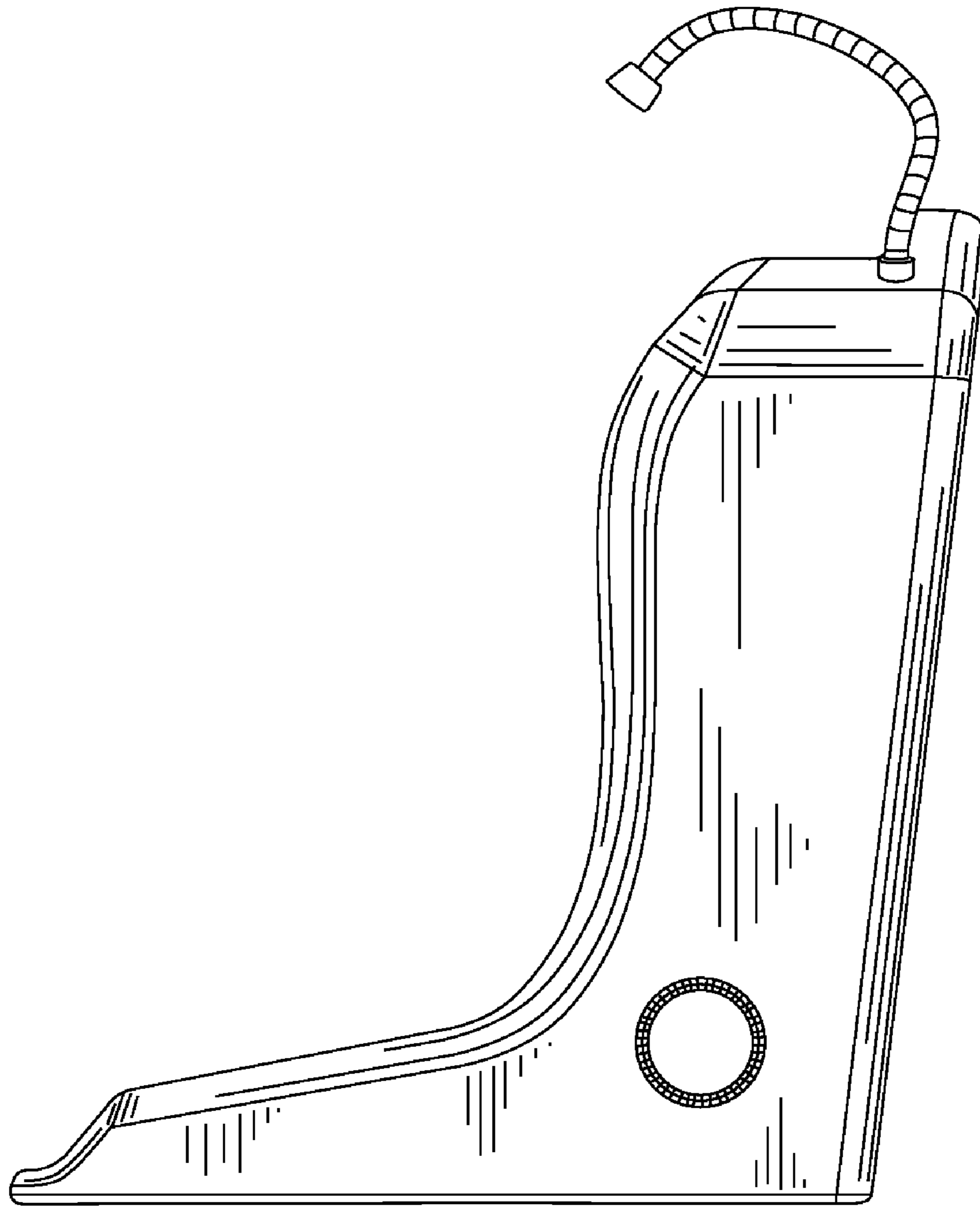


Fig. 3

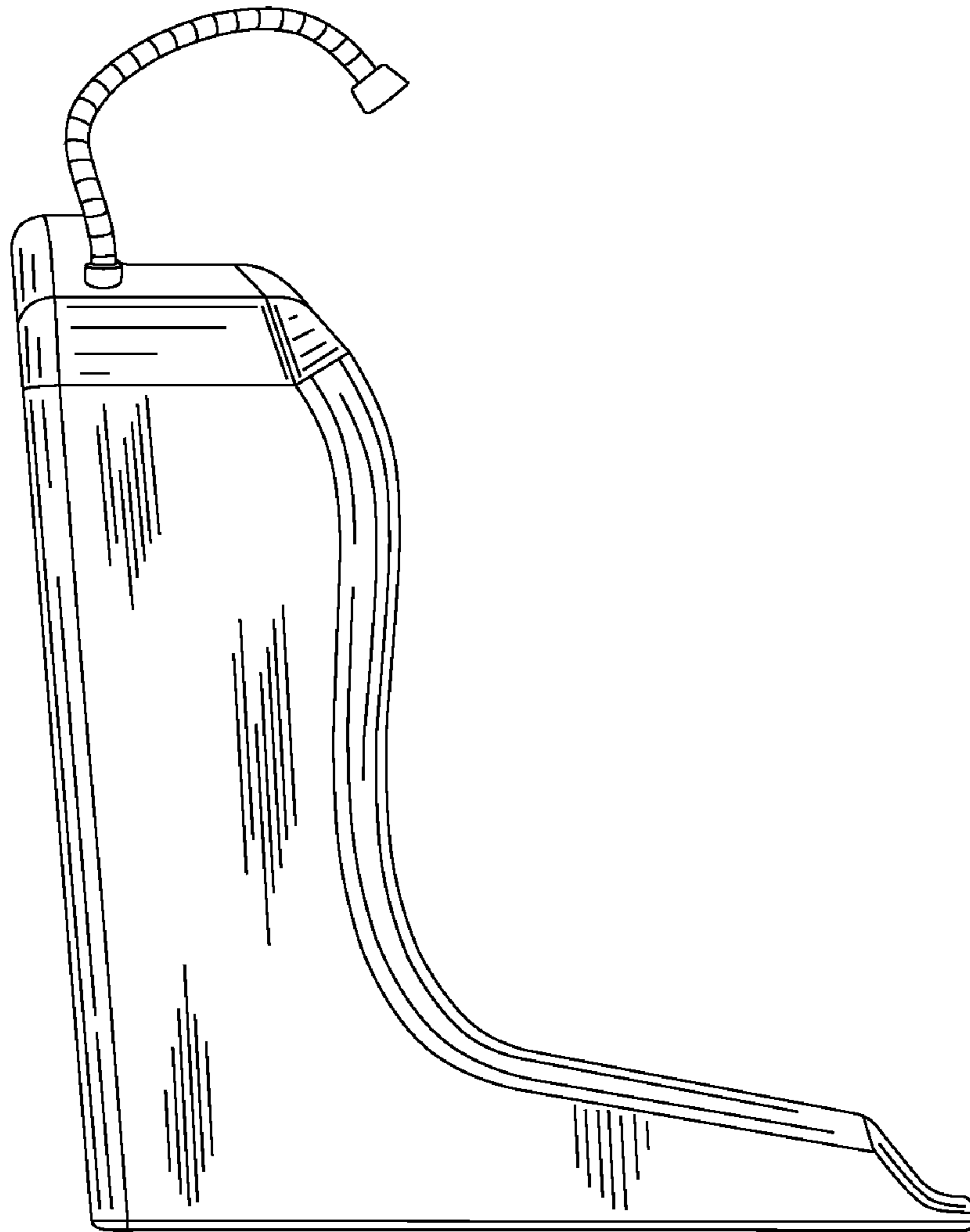


Fig. 4

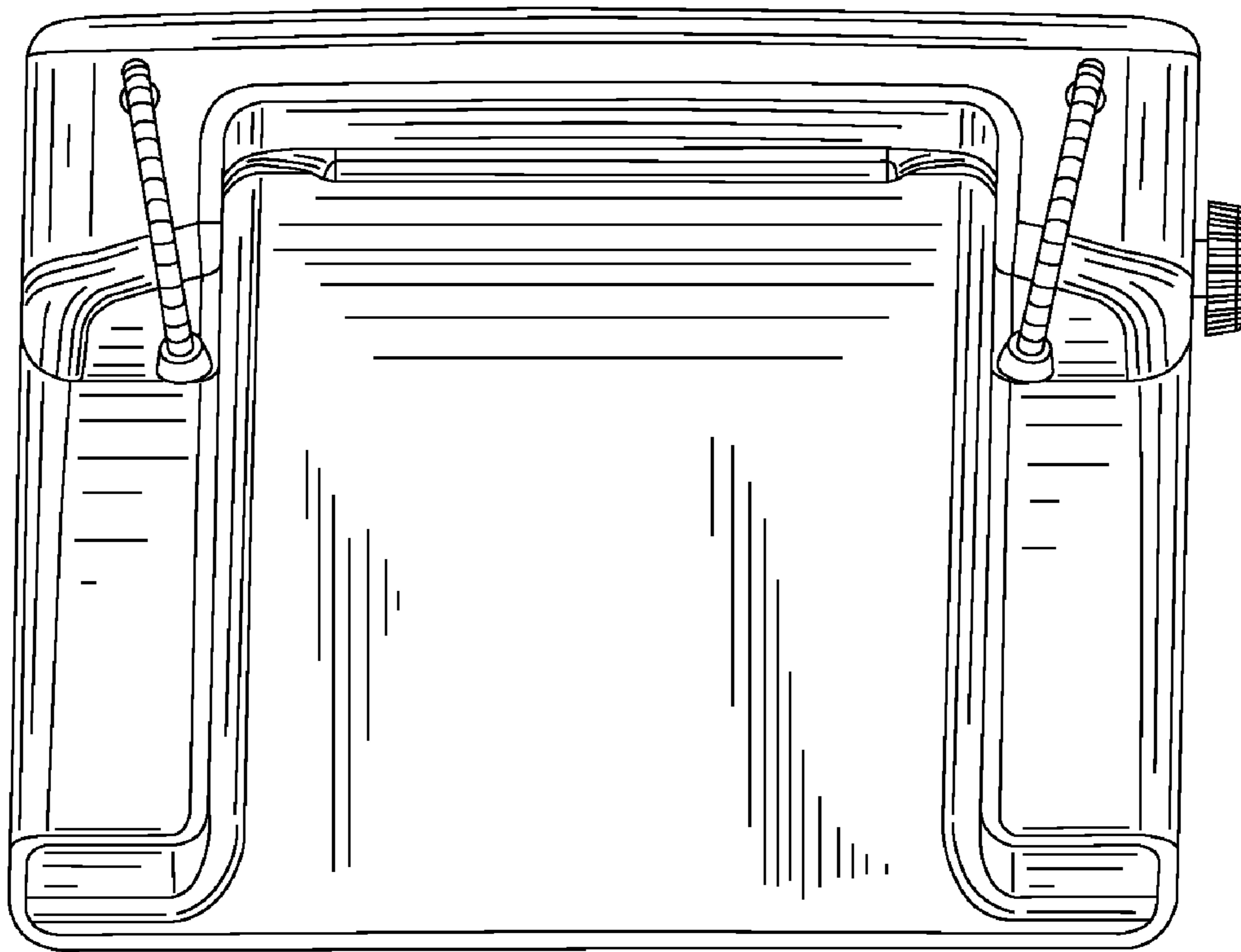


Fig. 5

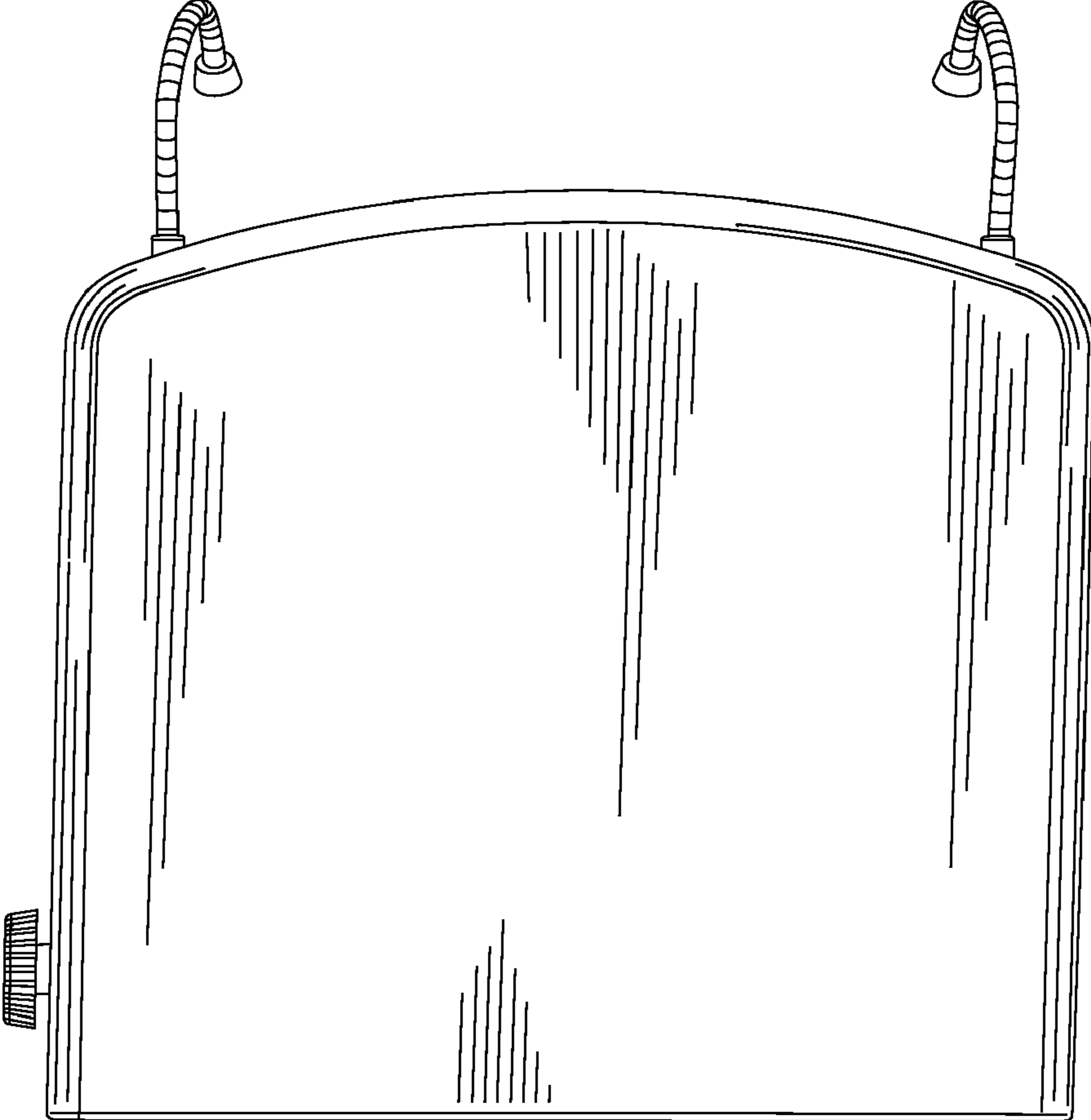


Fig. 6